

microvalvole

microvalves



- Microvalvole a otturatore NC e NA
NC and NO poppet microvalves
- Installazione in qualsiasi posizione
Installation in any position
- Attacchi filettati M5 o raccordi automatici per tubo $\varnothing 4$
M5 threaded ports or push-in fittings for $\varnothing 4$ tube
- Bassa forza di azionamento
Low actuating force
- Versione con adattatore (foro $\varnothing 22$) per montaggio a pannello
Version with adaptor for panel mounting (with $\varnothing 22$ hole)
- Esecuzioni speciali a richiesta
Special versions on request



Materiali

Corpo: alluminio 11S

Molla: INOX

Guarnizioni: NBR

Parti interne: ottone OT58

Materials

Body: aluminium 11S

Spring: stainless steel

Seals: NBR

Internal parts: brass OT58

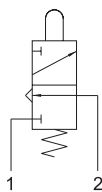
| | |
|---|---|
| Diametro nominale <i>Nominal orifice</i> | 2.5 mm |
| Portata nominale a 6 bar <i>Nominal flow rate at 6 bar</i> | 100 NI/min |
| Temperatura di esercizio <i>Temperature range</i> | max +60°C |
| Pressione di esercizio <i>Working pressure</i> | 2 ... 10 bar 0.2 ... 1 MPa |
| Forza di azionamento <i>Actuating force</i> | 6 N |
| Fluido <i>Fluid</i> | Aria filtrata 50 μ con o senza lubrificazione <i>50μ filtered, lubricated or non lubricated air</i> |



304 MA

3/2 NC raccordi automatici per tubo $\varnothing 4$ (sotto), pulsante

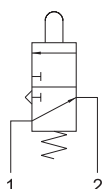
3/2 NC push-in fittings for $\varnothing 4$ tube (ports on the bottom), tappet



314 MA

3/2 NA raccordi automatici per tubo $\varnothing 4$ (sotto), pulsante

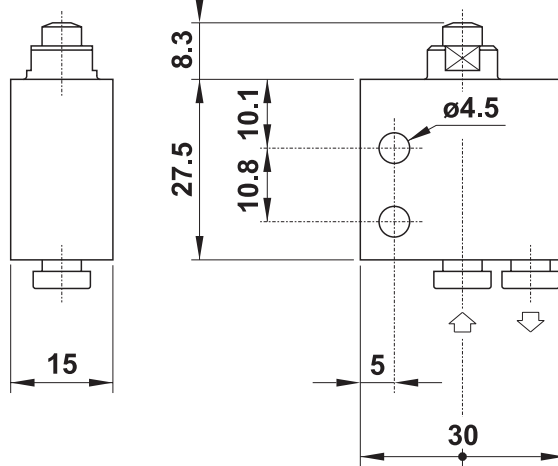
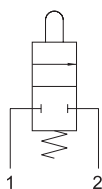
3/2 NO push-in fittings for $\varnothing 4$ tube (ports on the bottom), tappet



204 MA

2/2 NC raccordi automatici per tubo $\varnothing 4$ (sotto), pulsante

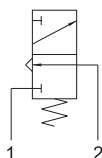
2/2 NC push-in fittings for $\varnothing 4$ tube (ports on the bottom), tappet



304 MB

3/2 NC raccordi automatici per tubo $\varnothing 4$ (sotto), interfaccia per attuatore da pannello

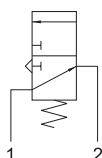
3/2 NC push-in fittings for $\varnothing 4$ tube (ports on the bottom), actuator adaptor for panel mounting



314 MB

3/2 NA raccordi automatici per tubo $\varnothing 4$ (sotto), interfaccia per attuatore da pannello

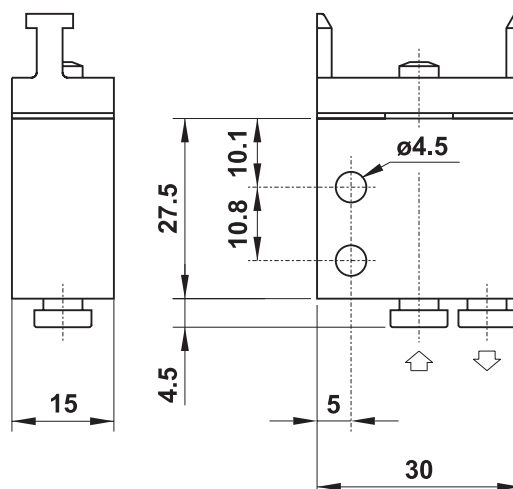
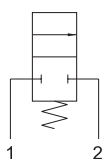
3/2 NO push-in fittings for $\varnothing 4$ tube (ports on the bottom), actuator adaptor for panel mounting



204 MB

2/2 NC raccordi automatici per tubo $\varnothing 4$ (sotto), interfaccia per attuatore da pannello

2/2 NC push-in fittings for $\varnothing 4$ tube (ports on the bottom), actuator adaptor for panel mounting



microvalvole

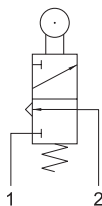
microvalves



304 MR

3/2 NC raccordi automatici per tubo $\varnothing 4$ (sotto),
leva rullo

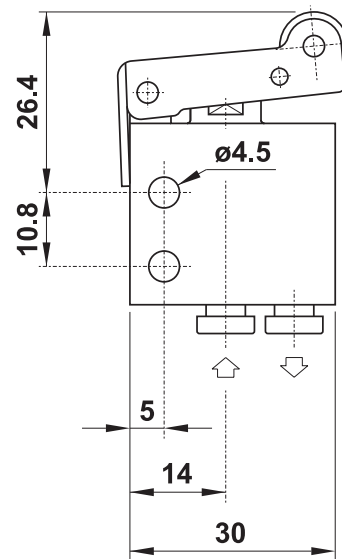
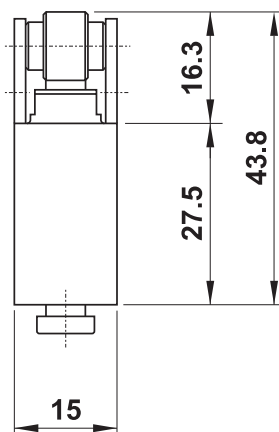
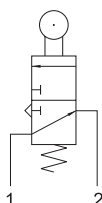
3/2 NC push-in fittings for $\varnothing 4$ tube (ports on the bottom),
roller lever



314 MR

3/2 NA raccordi automatici per tubo $\varnothing 4$ (sotto),
leva rullo

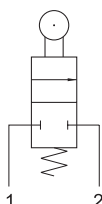
3/2 NO push-in fittings for $\varnothing 4$ tube (ports on the bottom),
roller lever



204 MR

2/2 NC raccordi automatici per tubo $\varnothing 4$ (sotto),
leva rullo

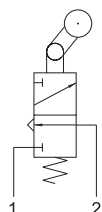
2/2 NC push-in fittings for $\varnothing 4$ tube (ports on the bottom),
roller lever



304 MS

3/2 NC raccordi automatici per tubo $\varnothing 4$ (sotto),
leva unidirezionale

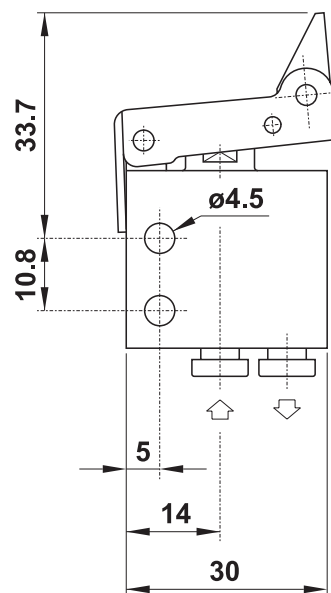
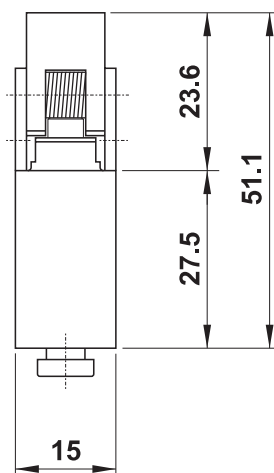
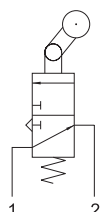
3/2 NC push-in fittings for $\varnothing 4$ tube (ports on the bottom),
uni-directional lever



314 MS

3/2 NA raccordi automatici per tubo $\varnothing 4$ (sotto),
leva unidirezionale

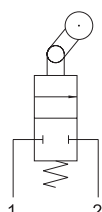
3/2 NO push-in fittings for $\varnothing 4$ tube (ports on the bottom),
uni-directional lever



204 MS

2/2 NC raccordi automatici per tubo $\varnothing 4$ (sotto),
leva unidirezionale

2/2 NC push-in fittings for $\varnothing 4$ tube (ports on the bottom),
uni-directional lever

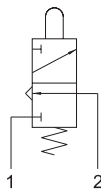




304 MV

3/2 NC raccordi automatici per tubo $\varnothing 4$ (sotto),
pulsante passa parete

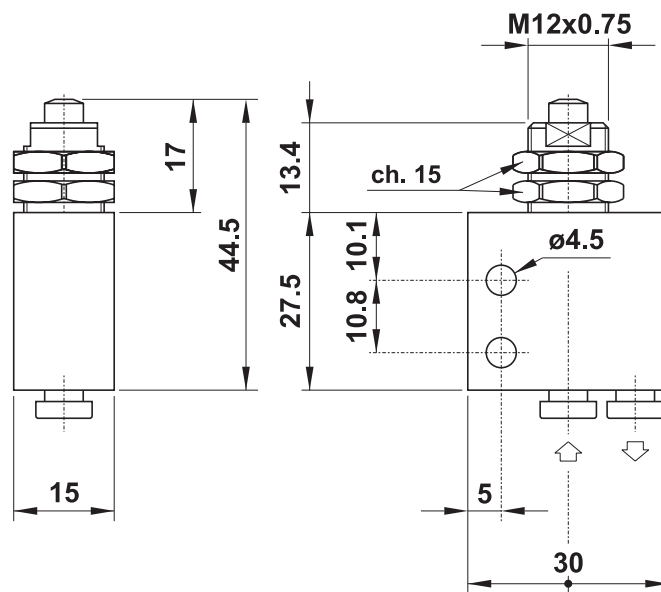
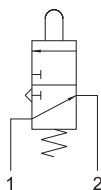
3/2 NC push-in fittings for $\varnothing 4$ tube (ports on the bottom),
panel mount tappet



314 MV

3/2 NA raccordi automatici per tubo $\varnothing 4$ (sotto),
pulsante passa parete

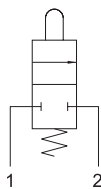
3/2 NO push-in fittings for $\varnothing 4$ tube (ports on the bottom),
panel mount tappet



204 MV

2/2 NC raccordi automatici per tubo $\varnothing 4$ (sotto),
pulsante passa parete

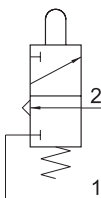
2/2 NC push-in fittings for $\varnothing 4$ tube (ports on the bottom),
panel mount tappet



304 MA UL

3/2 NC raccordi automatici per tubo $\varnothing 4$ (laterali),
pulsante

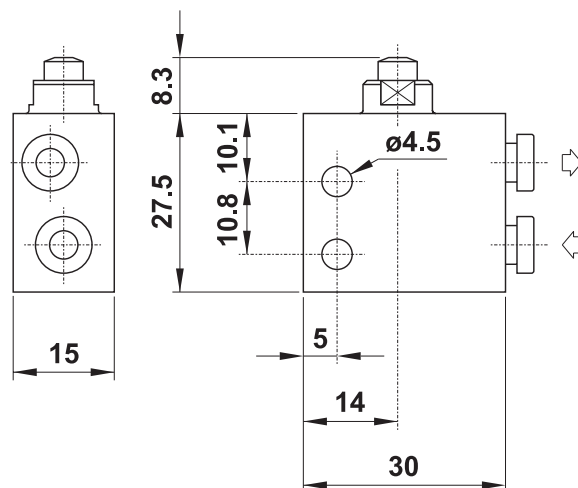
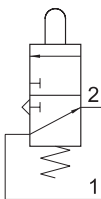
3/2 NC push-in fittings for $\varnothing 4$ tube (ports on the side),
tappet



314 MA UL

3/2 NA raccordi automatici per tubo $\varnothing 4$ (laterali),
pulsante

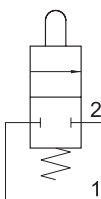
3/2 NO push-in fittings for $\varnothing 4$ tube (ports on the side),
tappet



204 MA UL

2/2 NC raccordi automatici per tubo $\varnothing 4$ (laterali),
pulsante

2/2 NC push-in fittings for $\varnothing 4$ tube (ports on the side),
tappet

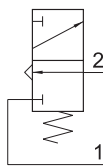




304 MB UL

3/2 NC raccordi automatici per tubo $\varnothing 4$ (lateralì),
interfaccia per attuatore da pannello

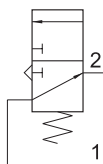
3/2 NC *push-in fittings for $\varnothing 4$ tube (ports on the side),
actuator adaptor for panel mounting*



314 MB UL

3/2 NA raccordi automatici per tubo $\varnothing 4$ (lateralì),
interfaccia per attuatore da pannello

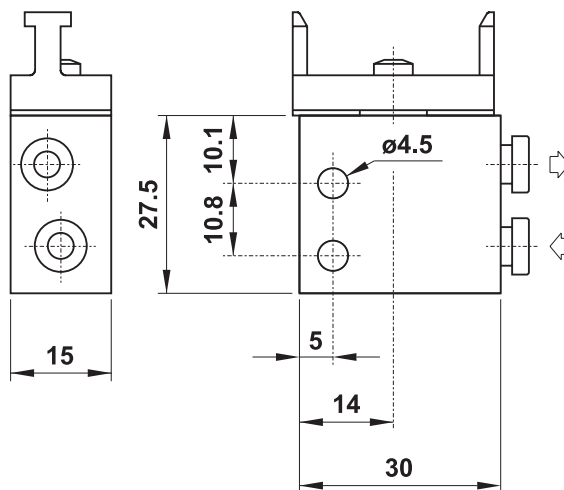
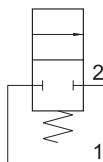
3/2 NO *push-in fittings for $\varnothing 4$ tube (ports on the side),
actuator adaptor for panel mounting*



204 MB UL

2/2 NC raccordi automatici per tubo $\varnothing 4$ (lateralì),
interfaccia per attuatore da pannello

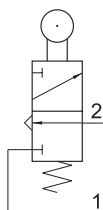
2/2 NC *push-in fittings for $\varnothing 4$ tube (ports on the side),
actuator adaptor for panel mounting*



304 MR UL

3/2 NC raccordi automatici per tubo $\varnothing 4$ (lateralì),
leva rullo

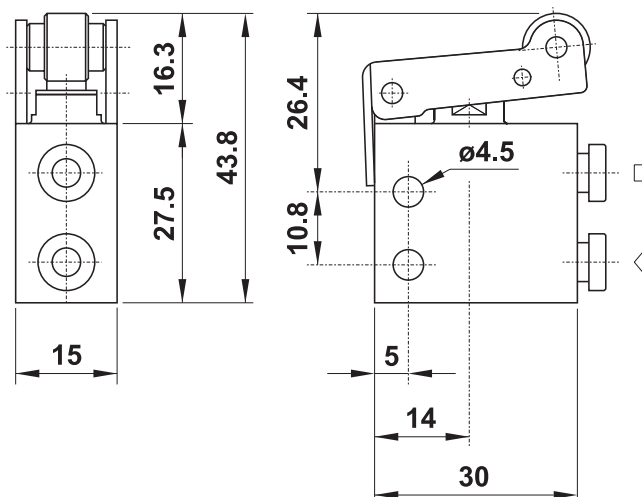
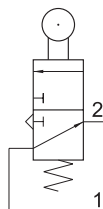
3/2 NC *push-in fittings for $\varnothing 4$ tube (ports on the side),
roller lever*



314 MR UL

3/2 NA raccordi automatici per tubo $\varnothing 4$ (lateralì),
leva rullo

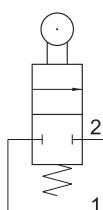
3/2 NO *push-in fittings for $\varnothing 4$ tube (ports on the side),
roller lever*



204 MR UL

2/2 NC raccordi automatici per tubo $\varnothing 4$ (lateralì),
leva rullo

2/2 NC *push-in fittings for $\varnothing 4$ tube (ports on the side),
roller lever*



microvalvole

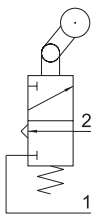
microvalves



304 MS UL

3/2 NC raccordi automatici per tubo $\varnothing 4$ (laterali),
leva unidirezionale

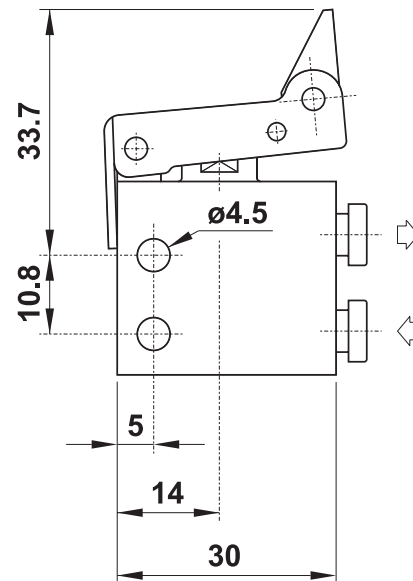
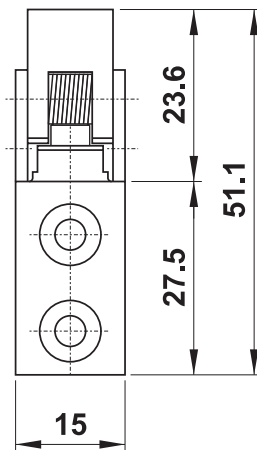
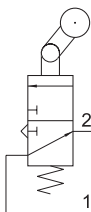
3/2 NC push-in fittings for $\varnothing 4$ tube (ports on the side),
uni-directional lever



314 MS UL

3/2 NA raccordi automatici per tubo $\varnothing 4$ (laterali),
leva unidirezionale

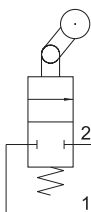
3/2 NO push-in fittings for $\varnothing 4$ tube (ports on the side),
uni-directional lever



204 MS UL

2/2 NC raccordi automatici per tubo $\varnothing 4$ (laterali),
leva unidirezionale

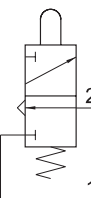
2/2 NC push-in fittings for $\varnothing 4$ tube (ports on the side),
uni-directional lever



304 MV UL

3/2 NC raccordi automatici per tubo $\varnothing 4$ (laterali),
pulsante passa parete

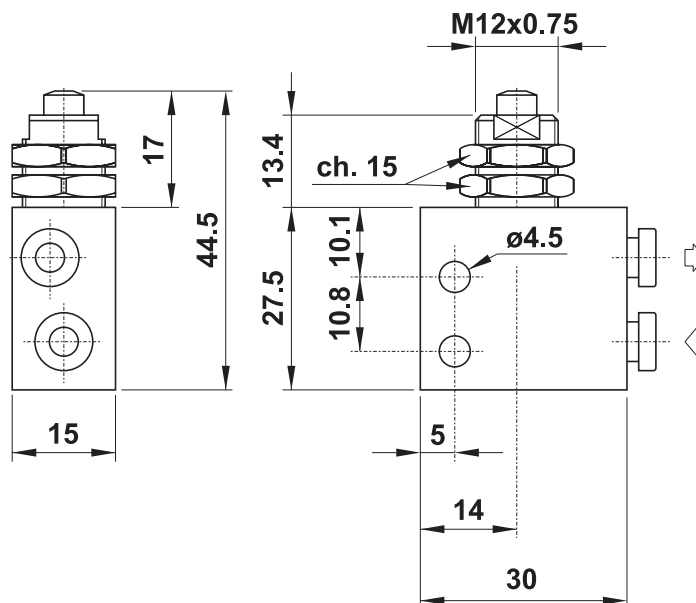
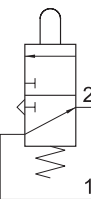
3/2 NC push-in fittings for $\varnothing 4$ tube (ports on the side),
panel mount tappet



314 MV UL

3/2 NA raccordi automatici per tubo $\varnothing 4$ (laterali),
pulsante passa parete

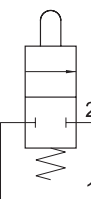
3/2 NO push-in fittings for $\varnothing 4$ tube (ports on the side),
panel mount tappet



204 MV UL

2/2 NC raccordi automatici per tubo $\varnothing 4$ (laterali),
pulsante passa parete

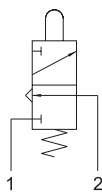
2/2 NC push-in fittings for $\varnothing 4$ tube (ports on the side),
panel mount tappet



305 MA

3/2 NC attacchi filettati M5 (sotto),
pulsante

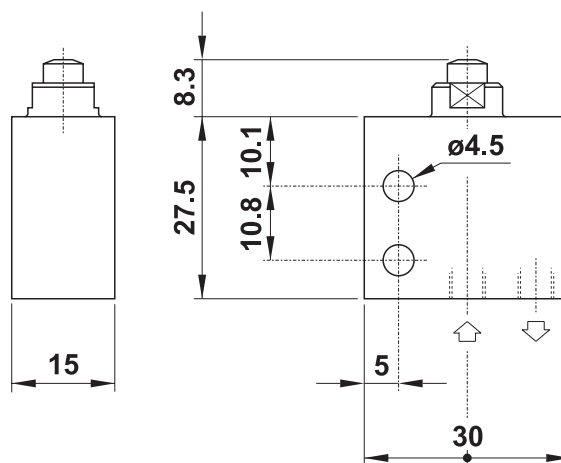
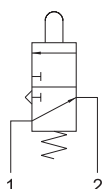
3/2 NC M5 threaded ports (on the bottom),
tappet



315 MA

3/2 NA attacchi filettati M5 (sotto),
pulsante

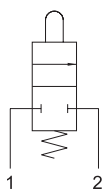
3/2 NO M5 threaded ports (on the bottom),
tappet



205 MA

2/2 NC attacchi filettati M5 (sotto),
pulsante

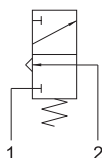
2/2 NC M5 threaded ports (on the bottom),
tappet



305 MB

3/2 NC attacchi filettati M5 (sotto),
interfaccia per attuatore da pannello

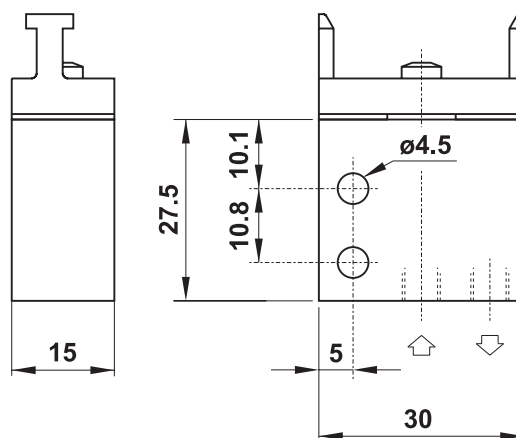
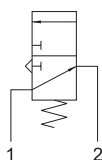
3/2 NC M5 threaded ports (on the bottom),
actuator adaptor for panel mounting



315 MB

3/2 NA attacchi filettati M5 (sotto),
interfaccia per attuatore da pannello

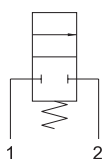
3/2 NO M5 threaded ports (on the bottom),
actuator adaptor for panel mounting



205 MB

2/2 NC attacchi filettati M5 (sotto),
interfaccia per attuatore da pannello

2/2 NC M5 threaded ports (on the bottom),
actuator adaptor for panel mounting

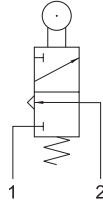




305 MR

3/2 NC attacchi filettati M5 (sotto),
leva rullo

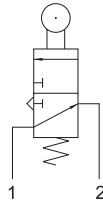
3/2 NC M5 threaded ports (on the bottom),
roller lever



315 MR

3/2 NA attacchi filettati M5 (sotto),
leva rullo

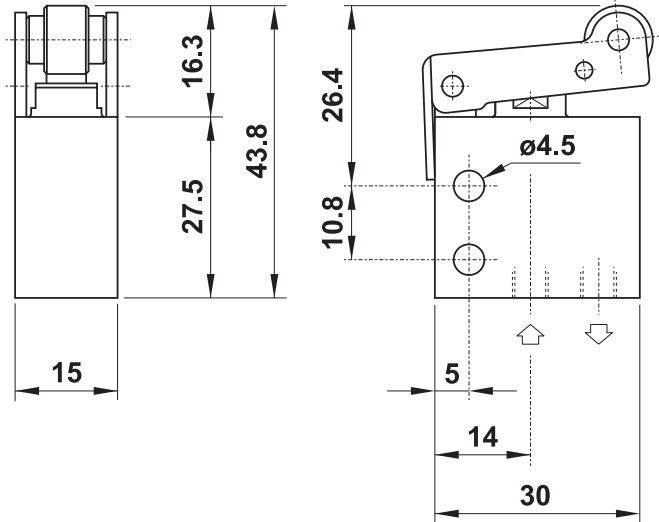
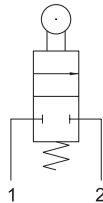
3/2 NO M5 threaded ports (on the bottom),
roller lever



205 MR

2/2 NC attacchi filettati M5 (sotto),
leva rullo

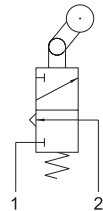
2/2 NC M5 threaded ports (on the bottom),
roller lever



305 MS

3/2 NC attacchi filettati M5 (sotto),
leva unidirezionale

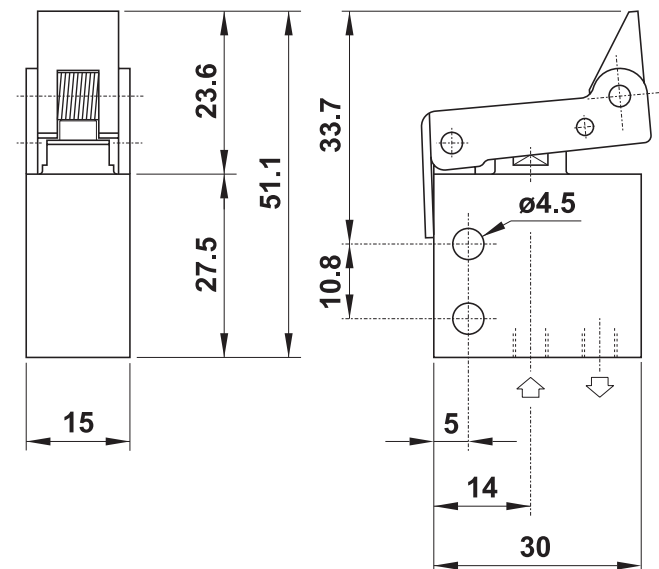
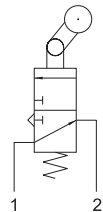
3/2 NC M5 threaded ports (on the bottom),
uni-directional lever



315 MS

3/2 NA attacchi filettati M5 (sotto),
leva unidirezionale

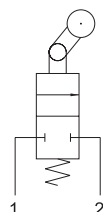
3/2 NO M5 threaded ports (on the bottom),
uni-directional lever



205 MS

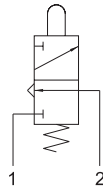
2/2 NC attacchi filettati M5 (sotto),
leva unidirezionale

2/2 NC M5 threaded ports (on the bottom),
uni-directional lever



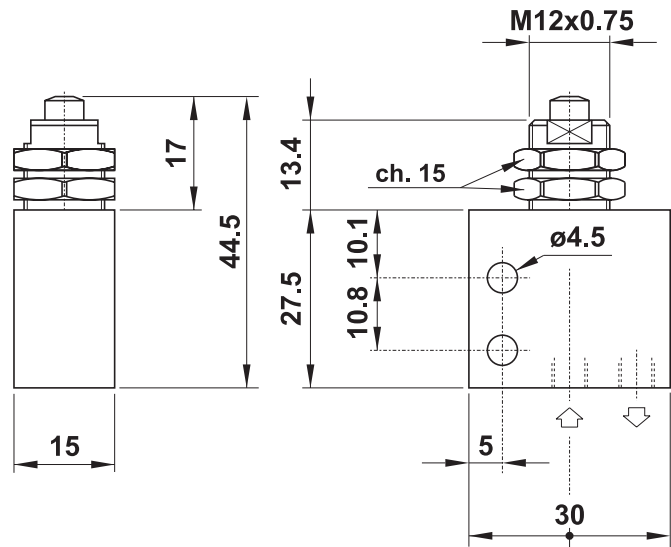
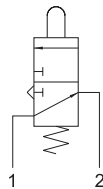
305 MV

3/2 NC attacchi filettati M5 (sotto),
pulsante passa parete
3/2 NC M5 threaded ports (on the bottom),
panel mount tappet



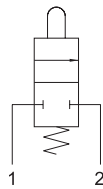
315 MV

3/2 NA attacchi filettati M5 (sotto),
pulsante passa parete
3/2 NO M5 threaded ports (on the bottom),
panel mount tappet



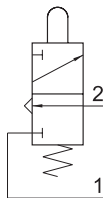
205 MV

2/2 NC attacchi filettati M5 (sotto),
pulsante passa parete
2/2 NC M5 threaded ports (on the bottom),
panel mount tappet



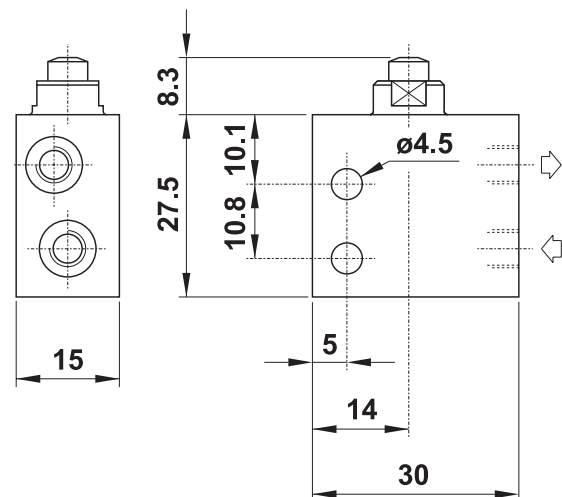
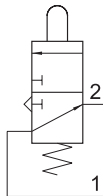
305 MA UL

3/2 NC attacchi filettati M5 (lateral),
pulsante
3/2 NC M5 threaded ports (on the side),
tappet



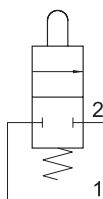
315 MA UL

3/2 NA attacchi filettati M5 (lateral),
pulsante
3/2 NO M5 threaded ports (on the side),
tappet



205 MA UL

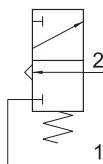
2/2 NC attacchi filettati M5 (lateral),
pulsante
2/2 NC M5 threaded ports (on the side),
tappet



305 MB UL

3/2 NC attacchi filettati M5 (laterali),
interfaccia per attuatore da pannello

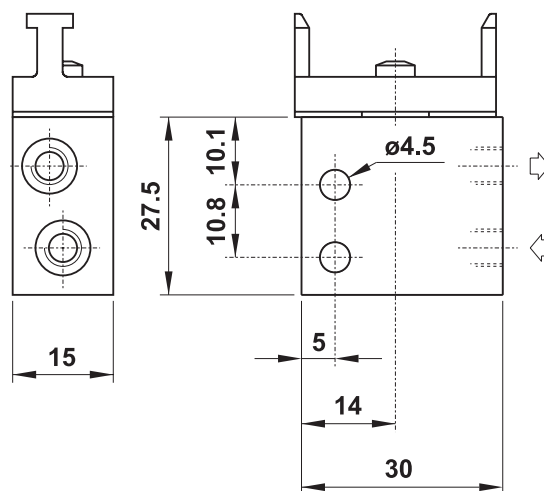
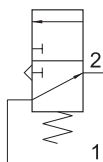
3/2 NC M5 threaded ports (on the side),
actuator adaptor for panel mounting



315 MB UL

3/2 NA attacchi filettati M5 (laterali),
interfaccia per attuatore da pannello

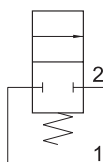
3/2 NO M5 threaded ports (on the side),
actuator adaptor for panel mounting



205 MB UL

2/2 NC attacchi filettati M5 (laterali),
interfaccia per attuatore da pannello

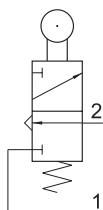
2/2 NC M5 threaded ports (on the side),
actuator adaptor for panel mounting



305 MR UL

3/2 NC attacchi filettati M5 (laterali),
leva rullo

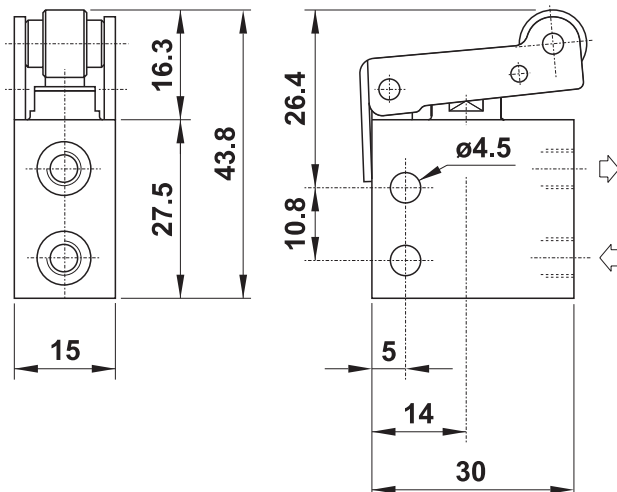
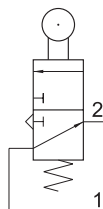
3/2 NC M5 threaded ports (on the side),
roller lever



315 MR UL

3/2 NA attacchi filettati M5 (laterali),
leva rullo

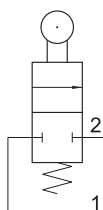
3/2 NO M5 threaded ports (on the side),
roller lever



205 MR UL

2/2 NC attacchi filettati M5 (laterali),
leva rullo

2/2 NC M5 threaded ports (on the side),
roller lever



microvalvole

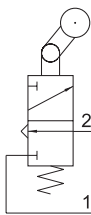
microvalves



305 MS UL

3/2 NC attacchi filettati M5 (laterali),
leva unidirezionale

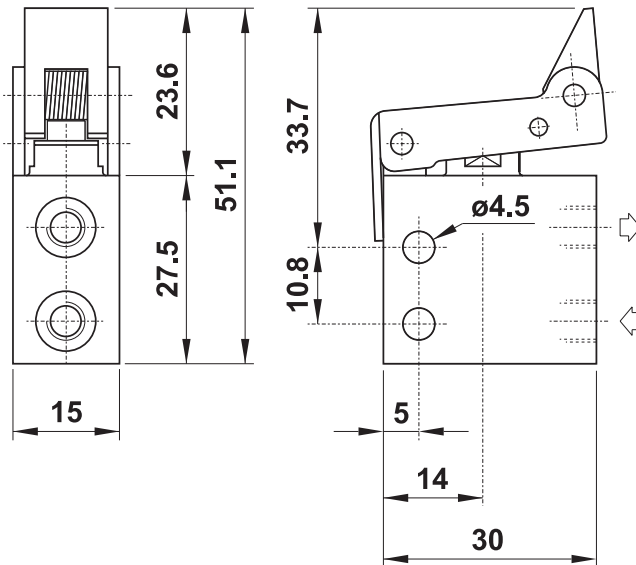
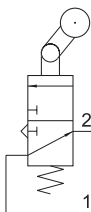
3/2 NC M5 threaded ports (on the side),
uni-directional lever



315 MS UL

3/2 NA attacchi filettati M5 (laterali),
leva unidirezionale

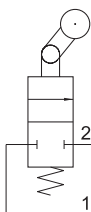
3/2 NO M5 threaded ports (on the side),
uni-directional lever



205 MS UL

2/2 NC attacchi filettati M5 (laterali),
leva unidirezionale

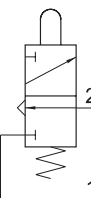
2/2 NC M5 threaded ports (on the side),
uni-directional lever



305 MV UL

3/2 NC attacchi filettati M5 (laterali),
pulsante passa parete

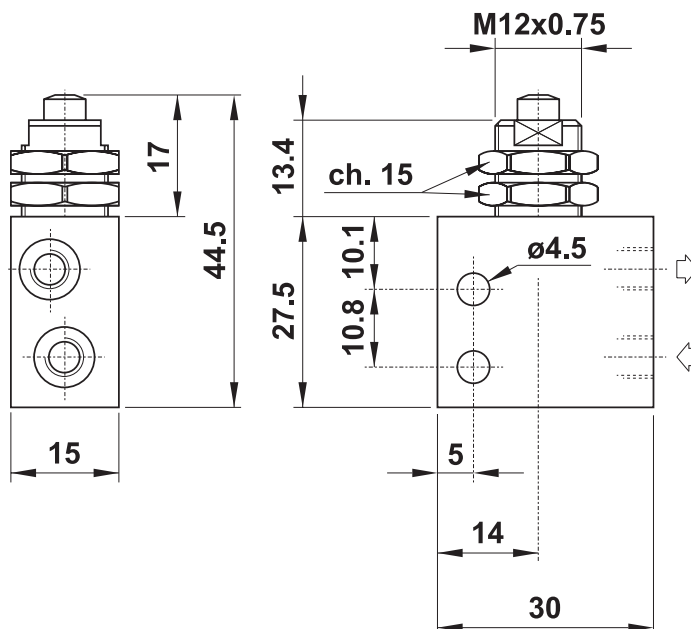
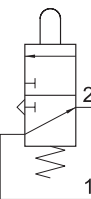
3/2 NC M5 threaded ports (on the side),
panel mount tappet



315 MV UL

3/2 NA attacchi filettati M5 (laterali),
pulsante passa parete

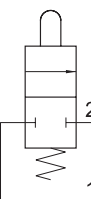
3/2 NO M5 threaded ports (on the side),
panel mount tappet



205 MV UL

2/2 NC attacchi filettati M5 (laterali),
pulsante passa parete

2/2 NC M5 threaded ports (on the side),
panel mount tappet



microvalvole

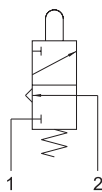
microvalves



304 MGx

3/2 NC raccordi automatici per tubo $\varnothing 4$ (sotto),
tasto (4 colori - vedi schema)

3/2 NC push-in fittings for $\varnothing 4$ tube (ports on the bottom),
push button (4 colours - see explanation)



Nella sigla del prodotto sostituire la lettera "x" con l'indicazione del colore del tasto.

In the part number replace the letter "x" with the colour reference of the push button.

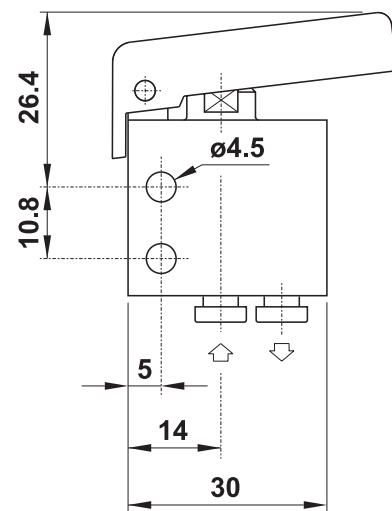
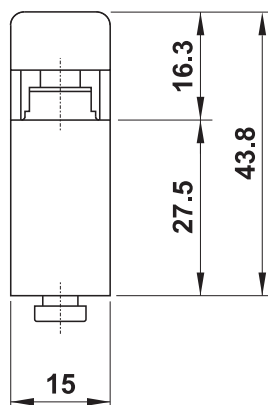
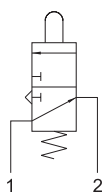
| | |
|-----------------|----------|
| ROSSO - red | R |
| GIALLO - yellow | G |
| VERDE - green | V |
| NERO - black | N |



314 MGx

3/2 NA raccordi automatici per tubo $\varnothing 4$ (sotto),
tasto (4 colori - vedi schema)

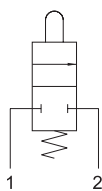
3/2 NO push-in fittings for $\varnothing 4$ tube (ports on the bottom),
push button (4 colours - see explanation)



204 MGx

2/2 NC raccordi automatici per tubo $\varnothing 4$ (sotto),
tasto (4 colori - vedi schema)

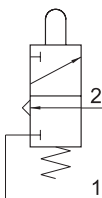
2/2 NC push-in fittings for $\varnothing 4$ tube (ports on the bottom),
push button (4 colours - see explanation)



304 MGx UL

3/2 NC raccordi automatici per tubo $\varnothing 4$ (lateralì),
tasto (4 colori - vedi schema)

3/2 NC push-in fittings for $\varnothing 4$ tube (ports on the side),
push button (4 colours - see explanation)



Nella sigla del prodotto sostituire la lettera "x" con l'indicazione del colore del tasto.

In the part number replace the letter "x" with the colour reference of the push button.

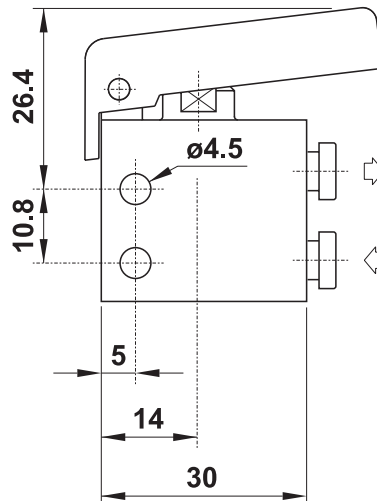
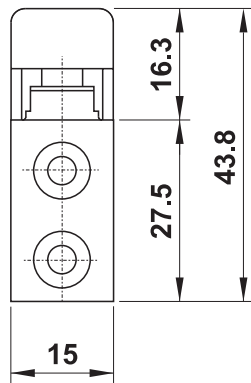
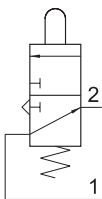
| | |
|-----------------|----------|
| ROSSO - red | R |
| GIALLO - yellow | G |
| VERDE - green | V |
| NERO - black | N |



314 MGx UL

3/2 NA raccordi automatici per tubo $\varnothing 4$ (lateralì),
tasto (4 colori - vedi schema)

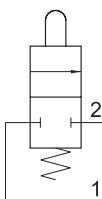
3/2 NO push-in fittings for $\varnothing 4$ tube (ports on the side),
push button (4 colours - see explanation)



204 MGx UL

2/2 NC raccordi automatici per tubo $\varnothing 4$ (lateralì),
tasto (4 colori - vedi schema)

2/2 NC push-in fittings for $\varnothing 4$ tube (ports on the side),
push button (4 colours - see explanation)



microvalvole

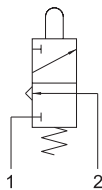
microvalves



305 MGx

3/2 NC attacchi filettati M5 (sotto),
tasto (4 colori - vedi schema)

3/2 NC M5 threaded ports (on the bottom),
push button (4 colours - see explanation)



Nella sigla del prodotto sostituire la lettera "x" con l'indicazione del colore del tasto.

In the part number replace the letter "x" with the colour reference of the push button.

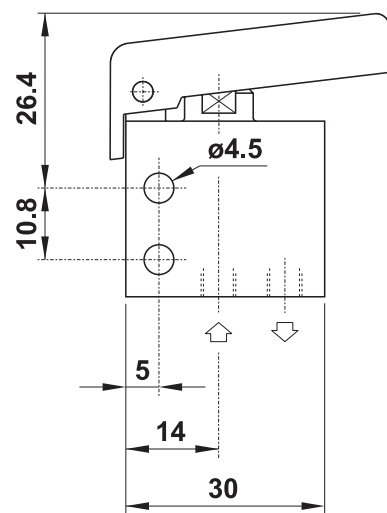
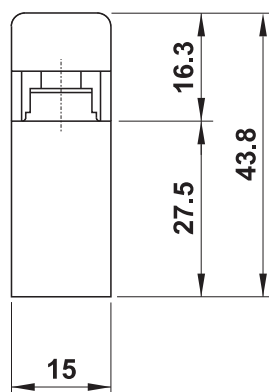
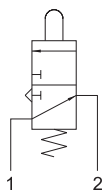
| | |
|-----------------|----------|
| ROSSO - red | R |
| GIALLO - yellow | G |
| VERDE - green | V |
| NERO - black | N |



315 MGx

3/2 NA attacchi filettati M5 (sotto),
tasto (4 colori - vedi schema)

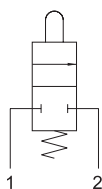
3/2 NO M5 threaded ports (on the bottom),
push button (4 colours - see explanation)



205 MGx

2/2 NC attacchi filettati M5 (sotto),
tasto (4 colori - vedi schema)

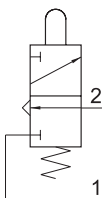
2/2 NC M5 threaded ports (on the bottom),
push button (4 colours - see explanation)



305 MGx UL

3/2 NC attacchi filettati M5 (lateral),
tasto (4 colori - vedi schema)

3/2 NC M5 threaded ports (on the side),
push button (4 colours - see explanation)



Nella sigla del prodotto sostituire la lettera "x" con l'indicazione del colore del tasto.

In the part number replace the letter "x" with the colour reference of the push button.

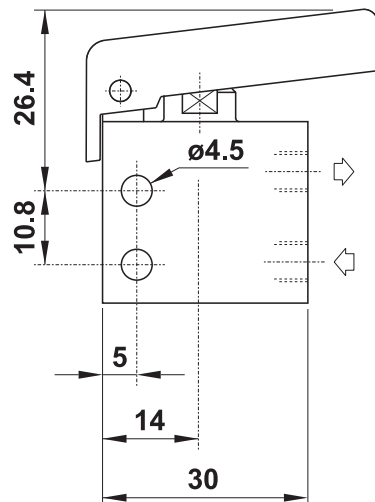
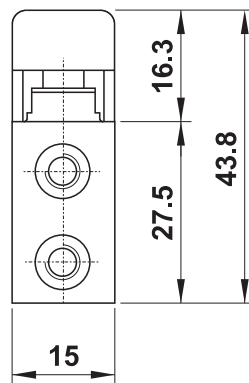
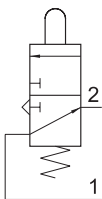
| | |
|-----------------|----------|
| ROSSO - red | R |
| GIALLO - yellow | G |
| VERDE - green | V |
| NERO - black | N |



315 MGx UL

3/2 NA attacchi filettati M5 (lateral),
tasto (4 colori - vedi schema)

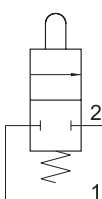
3/2 NO M5 threaded ports (on the side),
push button (4 colours - see explanation)



205 MGx UL

2/2 NC attacchi filettati M5 (lateral),
tasto (4 colori - vedi schema)

2/2 NC M5 threaded ports (on the side),
push button (4 colours - see explanation)

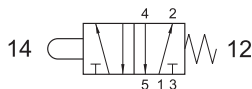


microvalvole

microvalves



504 MB

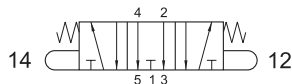


5/2 raccordi automatici per tubo $\varnothing 4$ (sotto),
interfaccia per attuatore da pannello

5/2 *push-in fittings for $\varnothing 4$ tube (ports on the bottom),
actuator adaptor for panel mounting*

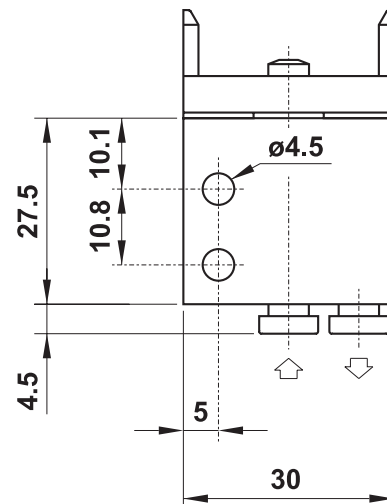
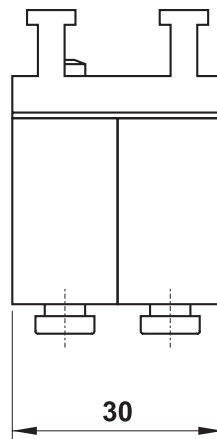


2.304 MB

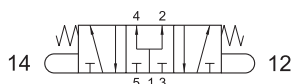


5/3 centri aperti
raccordi automatici per tubo $\varnothing 4$ (sotto),
interfaccia per attuatore da pannello

5/3 *open centres
push-in fittings for $\varnothing 4$ tube (ports on the bottom),
actuator adaptor for panel mounting*



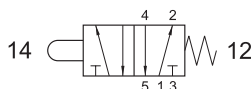
2.314 MB



5/3 centri in pressione
raccordi automatici per tubo $\varnothing 4$ (sotto),
interfaccia per attuatore da pannello

5/3 *pressurized centres
push-in fittings for $\varnothing 4$ tube (ports on the bottom),
actuator adaptor for panel mounting*

505 MB

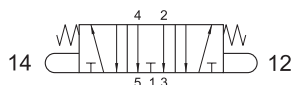


5/2 attacchi filettati M5 (sotto),
interfaccia per attuatore da pannello

5/2 *M5 threaded ports (on the bottom),
actuator adaptor for panel mounting*

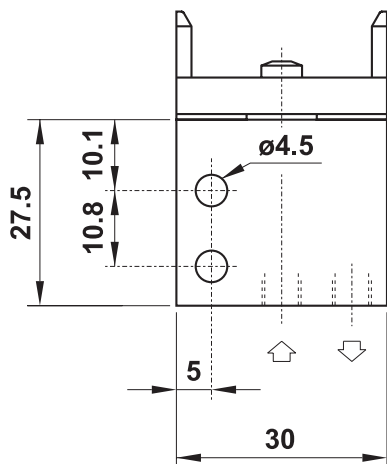
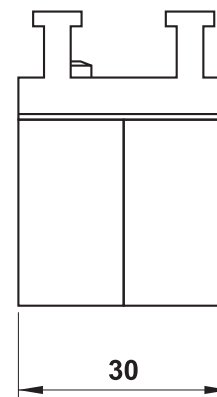


2.305 MB

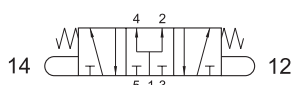


5/3 centri aperti
attacchi filettati M5 (sotto),
interfaccia per attuatore da pannello

5/3 *open centres
M5 threaded ports (on the bottom),
actuator adaptor for panel mounting*



2.315 MB

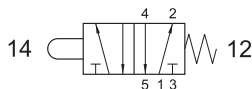


5/3 centri in pressione
attacchi filettati M5 (sotto),
interfaccia per attuatore da pannello

5/3 *pressurized centres
M5 threaded ports (on the bottom),
actuator adaptor for panel mounting*



504 MB UL

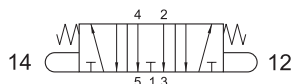


5/2 raccordi automatici per tubo $\varnothing 4$ (laterali),
interfaccia per attuatore da pannello

5/2 *push-in fittings for $\varnothing 4$ tube (ports on the side),
actuator adaptor for panel mounting*



2.304 MB UL

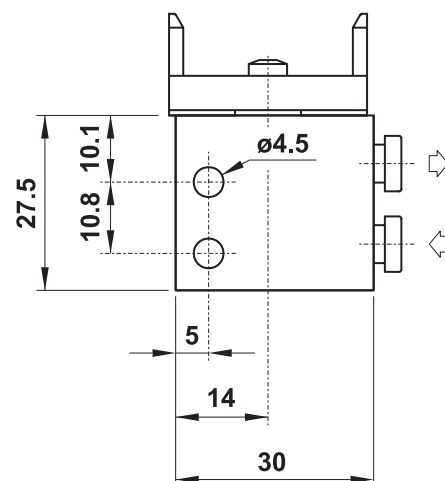
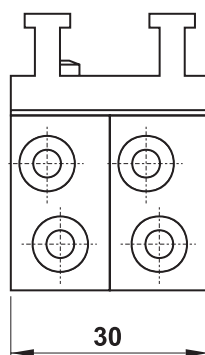


5/3 centri aperti

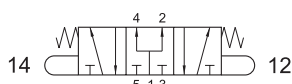
raccordi automatici per tubo $\varnothing 4$ (laterali),
interfaccia per attuatore da pannello

5/3 *open centres*

*push-in fittings for $\varnothing 4$ tube (ports on the side),
actuator adaptor for panel mounting*



2.314 MB UL



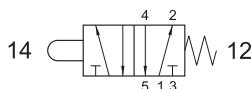
5/3 centri in pressione

raccordi automatici per tubo $\varnothing 4$ (laterali),
interfaccia per attuatore da pannello

5/3 *pressurized centres*

*push-in fittings for $\varnothing 4$ tube (ports on the side),
actuator adaptor for panel mounting*

505 MB UL

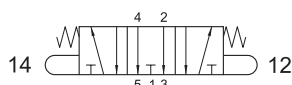


5/2 attacchi filettati M5 (laterali),
interfaccia per attuatore da pannello

5/2 *M5 threaded ports (on the side),
actuator adaptor for panel mounting*



2.305 MB UL

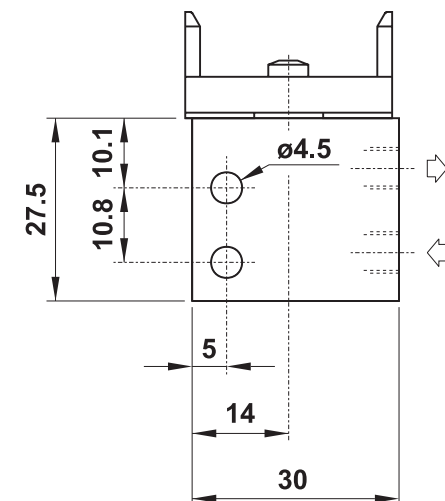
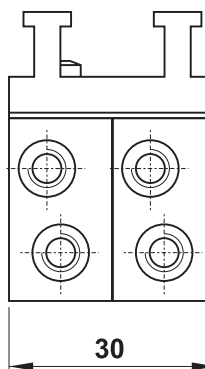


5/3 centri aperti

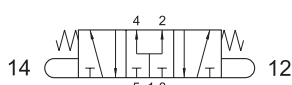
attacchi filettati M5 (laterali),
interfaccia per attuatore da pannello

5/3 *open centres*

*M5 threaded ports (on the side),
actuator adaptor for panel mounting*



2.315 MB UL



5/3 centri in pressione

attacchi filettati M5 (laterali),
interfaccia per attuatore da pannello

5/3 *pressurized centres*

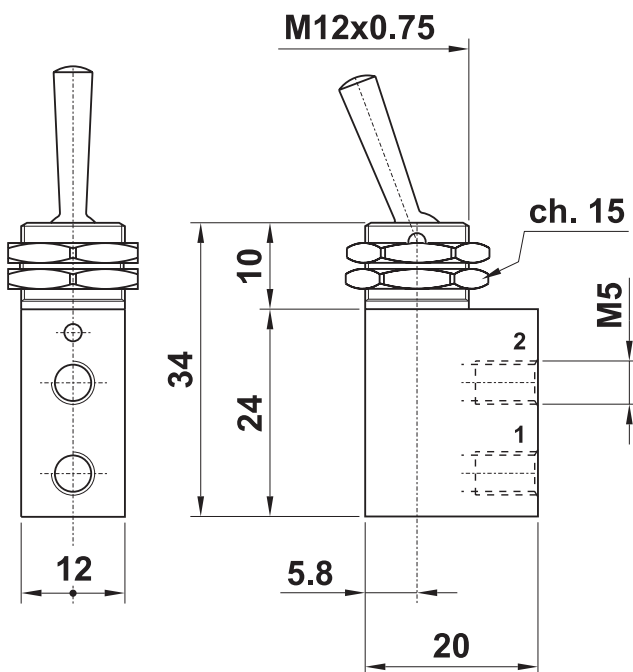
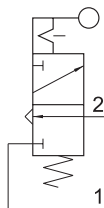
*M5 threaded ports (on the side),
actuator adaptor for panel mounting*

305 LL

3/2 NC attacchi filettati M5,
leva in testa bistabile

materiale corpo: ottone nichelato

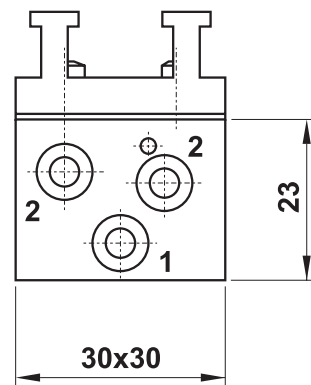
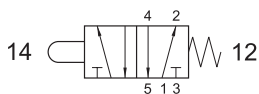
3/2 NC M5 threaded ports,
bi-stable lever
body material: nickel plated brass



504 MB CU

5/2 corpo unico
raccordi automatici per tubo ø4 (laterali),
interfaccia per attuatore da pannello

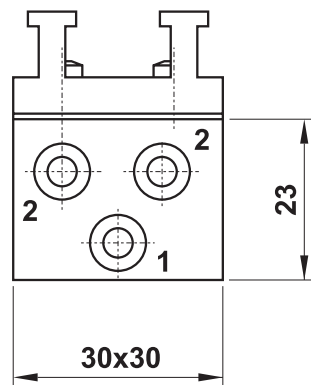
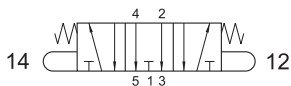
5/2 single valve body
push-in fittings for ø4 tube (ports on the side),
actuator adaptor for panel mounting



2.304 MB CU

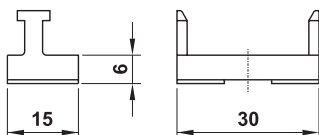
5/3 centri aperti, corpo unico
raccordi automatici per tubo ø4 (laterali),
interfaccia per attuatore da pannello

5/3 open centres, single valve body
push-in fittings for ø4 tube (ports on the side),
actuator adaptor for panel mounting



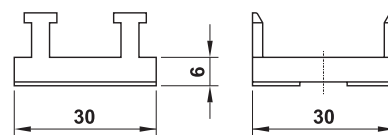
08.017.2

interfaccia singola per attuatore a
pannello completa di viti
single adaptor for panel mounting actuator,
complete with fixing screws



08.015.2

interfaccia doppia per attuatore a
pannello completa di viti
double adaptor for panel mounting actuator,
complete with fixing screws



attuatori da pannello

actuators for panel mounting



pulsante protetto protected push button

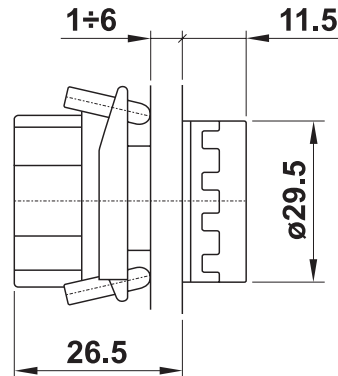
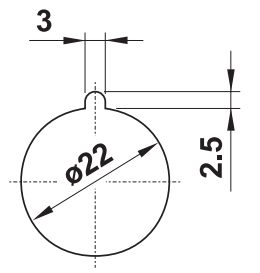
| codice code | colori standard standard colours |
|----------------|--|
| RM 010 | ROSSO, NERO e BIANCO (forniti assieme nel kit) red, black and white (supplied in kit) |

- I seguenti colori sono disponibili ordinandoli in aggiunta al kit standard
The following colours are available as an alternative and must be ordered separately

| codice code | colore colour |
|----------------|----------------------|
| P 22804 V | VERDE [green] |
| P 22804 G | GIALLO [yellow] |
| P 22804 A | AZZURRO [light blue] |
| P 22804 B | BIANCO [white] |

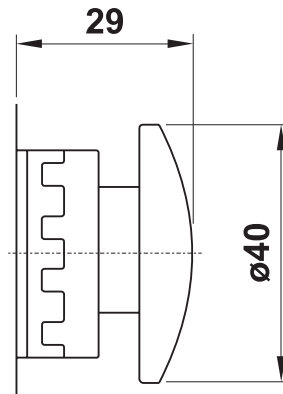
Foro per montaggio a pannello
con asola antirotazione

Panel mounting hole with antirotation
feature



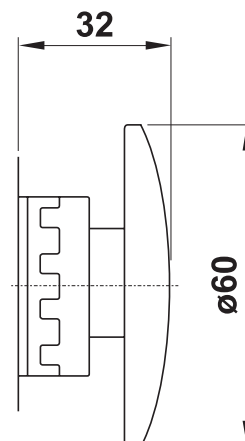
fungo ø40 ø40 mushroom

| codice code | descrizione description | colore colour |
|----------------|---|------------------|
| RM 050 R | monostabile assiale [axial mono-stable] | ROSSO [red] |
| RM 050 N | monostabile assiale [axial mono-stable] | NERO [black] |
| RM 055 R | oscillante [multi-directional] | ROSSO [red] |
| RM 055 N | oscillante [multi-directional] | NERO [black] |
| RM 065 R | sblocco a rotazione [turn to unlock] | ROSSO [red] |



fungo ø60 ø60 palm

| codice code | descrizione description | colore colour |
|----------------|--------------------------------------|------------------|
| RM 056 R | oscillante [multi-directional] | ROSSO [red] |
| RM 066 R | sblocco a rotazione [turn to unlock] | ROSSO [red] |



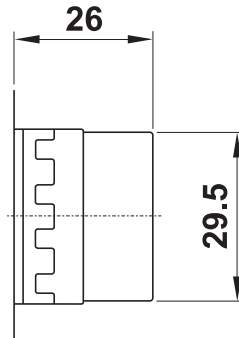
attuatori da pannello

actuators for panel mounting



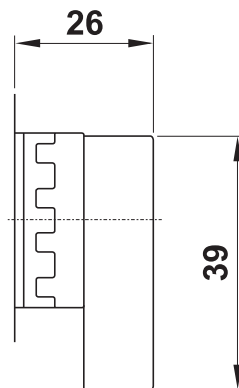
selettore leva corta short lever selector

| codice code | colore colour | funzione function |
|----------------|------------------|----------------------|
| RM 300 N | NERO black | 0 1 |
| RM 350 N | NERO black | 0 ← 1 |
| RM 313 N | NERO black | 2 0 1 |
| RM 383 N | NERO black | 2 → 0 ← 1 |



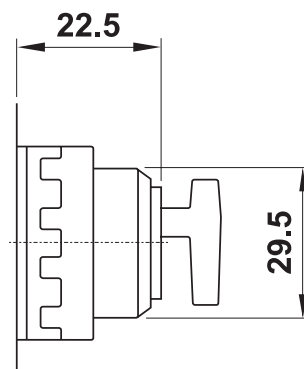
selettore leva lunga long lever selector

| codice code | colore colour | funzione function |
|----------------|------------------|----------------------|
| RM 400 N | NERO black | 0 1 |
| RM 450 N | NERO black | 0 ← 1 |
| RM 413 N | NERO black | 2 0 1 |
| RM 483 N | NERO black | 2 → 0 ← 1 |



selettore a chiave bistabile bi-stable key selector

| codice code |
|----------------|
| RM 200 N |

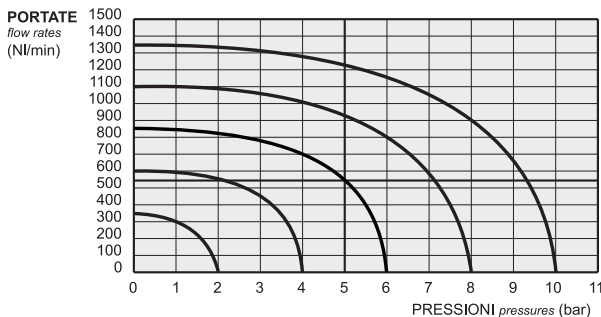


valvole ad azionamento meccanico

mechanically actuated valves



- Valvole a spola 3/2-5/2 con attacchi filettati G1/8"
3/2-5/2 spool valves with G1/8" threaded ports
- Installazione in qualsiasi posizione
Installation in any position
- Ampia gamma di azionamenti a comando diretto o servovalimentato
Comprehensive range of actuations, direct or servo-piloted
- Esecuzioni speciali a richiesta
Special versions on request



Materiali

Corpo: alluminio 11S
Molle: INOX
Guarnizioni: NBR
Spola: alluminio nichelato
Parti interne: ottone OT58

Materials

Body: aluminium 11S
Springs: stainless steel
Seals: NBR
Spool: nickel plated aluminium
Internal parts: brass OT58

| | | |
|---|---|--|
| Diametro nominale <i>Nominal orifice</i> | 5 mm | |
| Temperatura di esercizio <i>Temperature range</i> | max +60°C | |
| Pressione di esercizio <i>Working pressure</i> | az. diretto <i>[direct actuation]</i> | az. servopilotato <i>[servo-piloted actuation]</i> |
| | max 10 bar max 1 MPa | 2.5 ... 10 bar 0.25 ... 1 MPa |
| Forza di azionamento (ove non altrimenti indicato) <i>Actuating force (where not otherwise stated)</i> | az. diretto <i>[direct actuation]</i> | az. servopilotato <i>[servo-piloted actuation]</i> |
| | ~ 40 N | ~ 4 N |
| Fluido <i>Fluid</i> | Aria filtrata 50µ con o senza lubrificazione <i>50µ filtered, lubricated or non lubricated air</i> | |

valvole ad azionamento meccanico

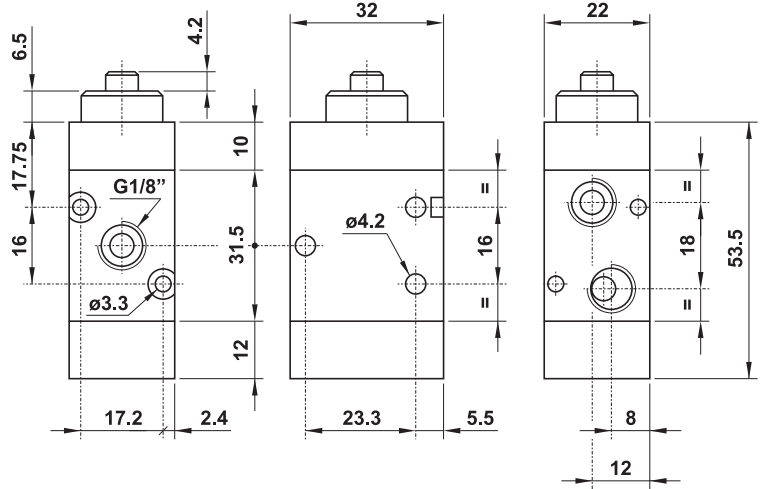
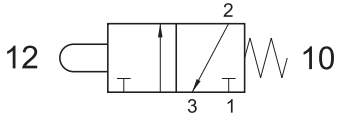
mechanically actuated valves



321 MP

3/2 1/8" puntale - ritorno a molla

3/2 1/8" tappet - spring return



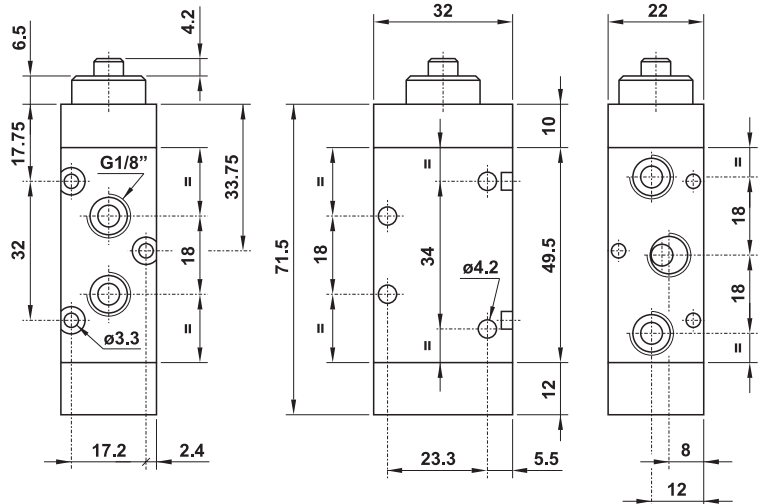
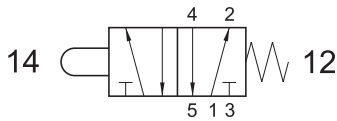
Forza di azionamento: 32.36 N

Actuating force: 32.36 N

521 MP

5/2 1/8" puntale - ritorno a molla

5/2 1/8" tappet - spring return



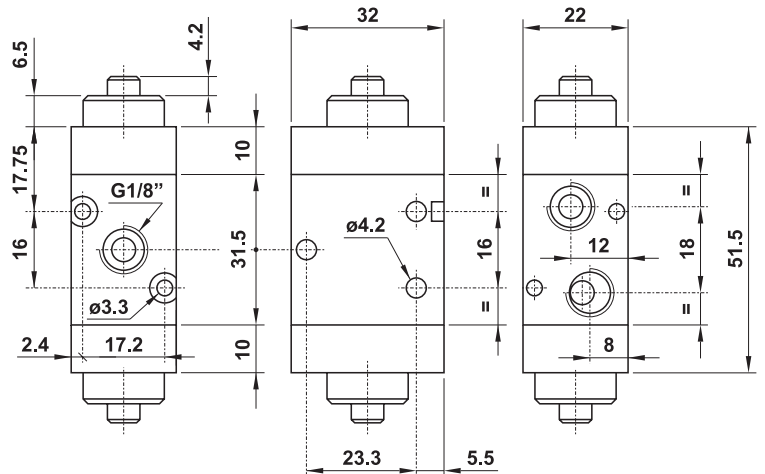
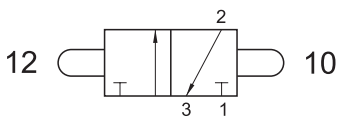
Forza di azionamento: 32.36 N

Actuating force: 32.36 N

321 2P

3/2 1/8" doppio puntale

3/2 1/8" double tappet



valvole ad azionamento meccanico

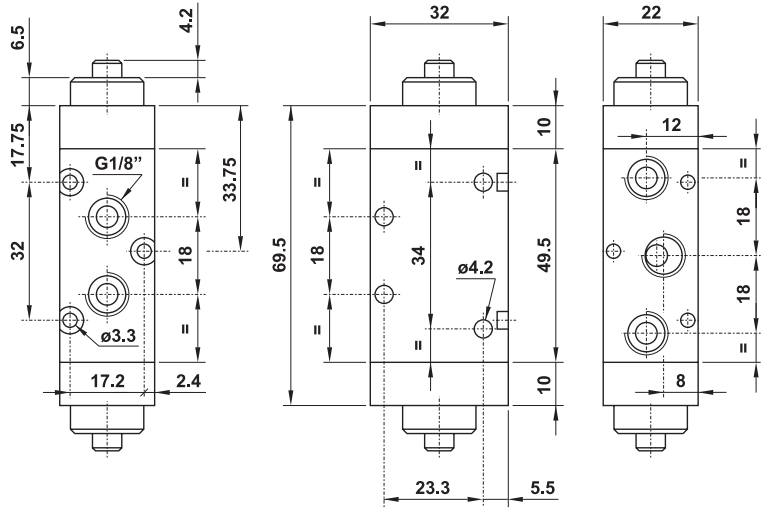
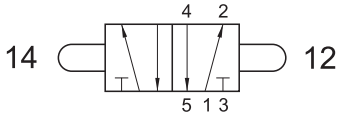
mechanically actuated valves



521 2P

5/2 1/8" doppio puntale

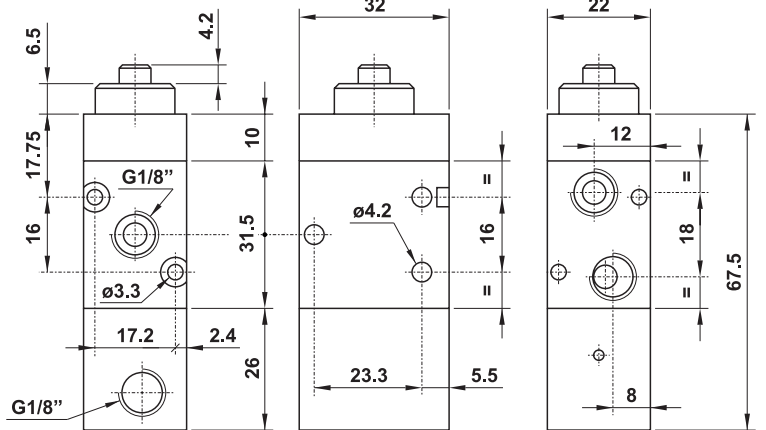
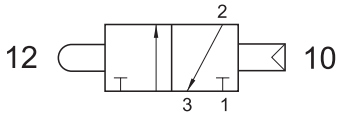
5/2 1/8" double tappet



321 CP

3/2 1/8" puntale - ritorno a comando pneumatico

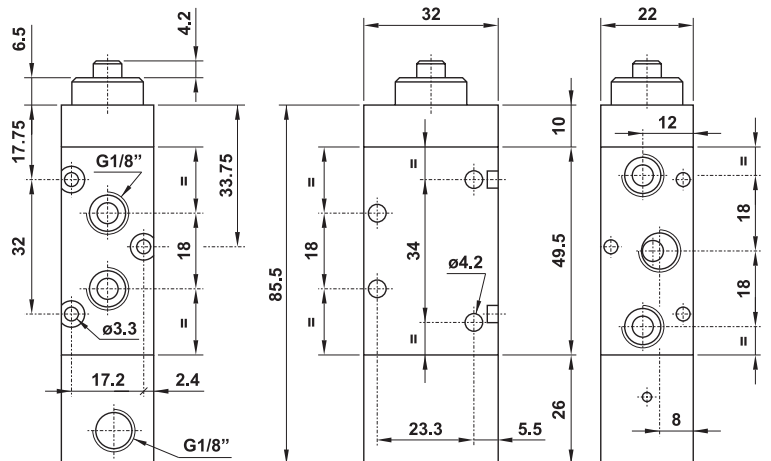
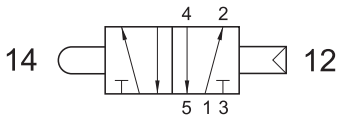
3/2 1/8" tappet - separate pneumatically piloted return



521 CP

5/2 1/8" puntale - ritorno a comando pneumatico

5/2 1/8" tappet - separate pneumatically piloted return



valvole ad azionamento meccanico

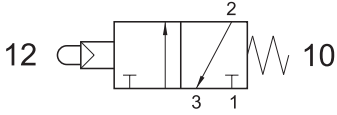
mechanically actuated valves



321 MPS

3/2 1/8" NC pulsante servopilotato - ritorno a molla

3/2 1/8" NC servo-piloted tappet - spring return



Forza di azionamento in funzione della pressione di alimentazione

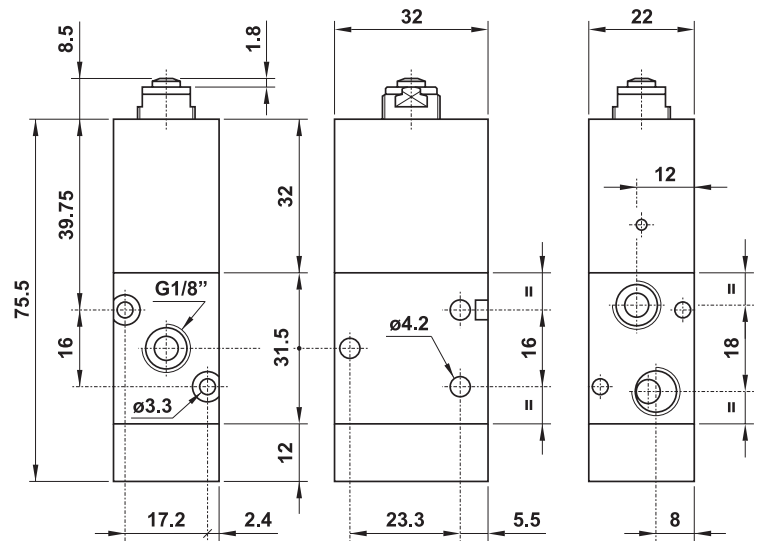
Actuating force related to inlet pressure

P_1 : 2 bar

P_1 : 10 bar

F: 4.5 N

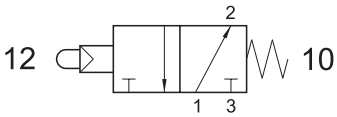
F: 14.2 N



321 MPSA

3/2 1/8" NA pulsante servopilotato - ritorno a molla

3/2 1/8" NO servo-piloted tappet - spring return



Forza di azionamento in funzione della pressione di alimentazione

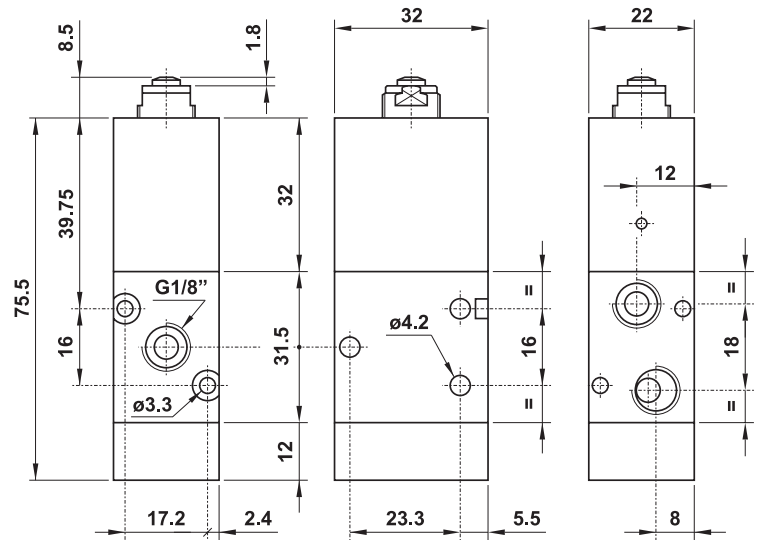
Actuating force related to inlet pressure

P_1 : 2 bar

P_1 : 10 bar

F: 4.5 N

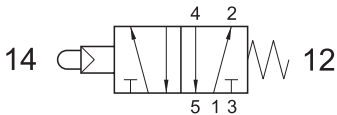
F: 14.2 N



521 MPS

5/2 1/8" pulsante servopilotato - ritorno a molla

5/2 1/8" servo-piloted tappet - spring return



Forza di azionamento in funzione della pressione di alimentazione

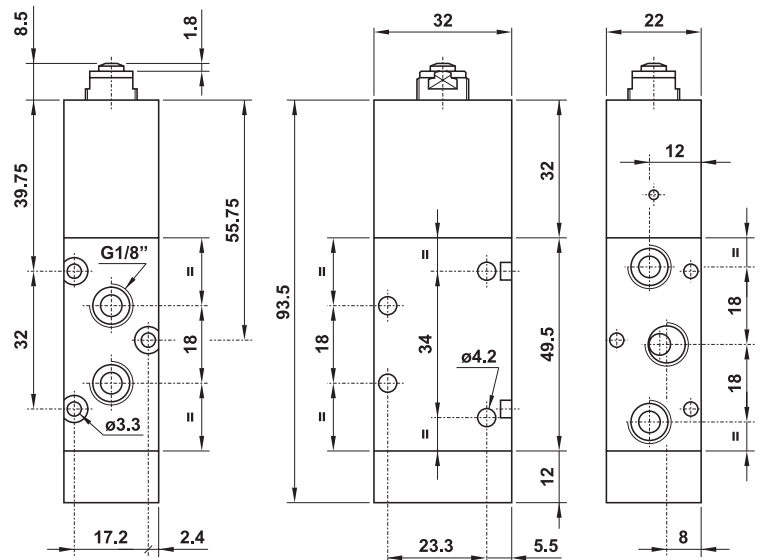
Actuating force related to inlet pressure

P_1 : 2 bar

P_1 : 10 bar

F: 4.5 N

F: 14.2 N



valvole ad azionamento meccanico

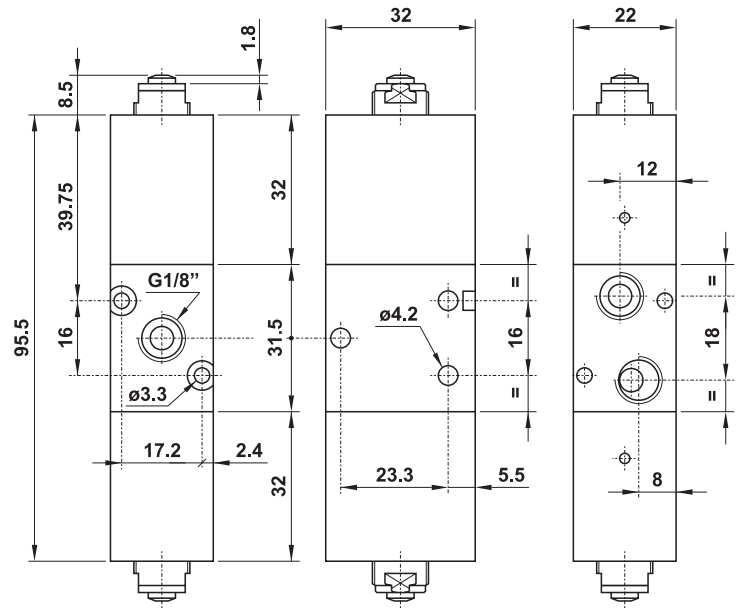
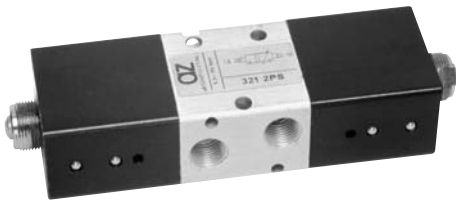
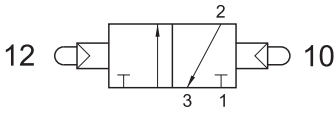
mechanically actuated valves



321 2PS

3/2 1/8" doppio pulsante servopilotato

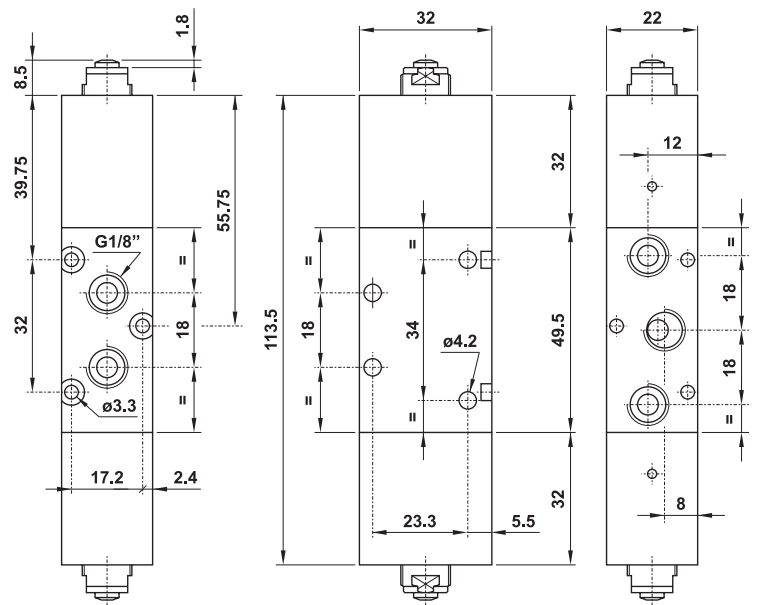
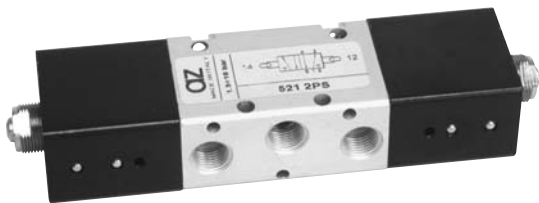
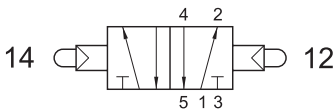
3/2 1/8" double servo-piloted tappet



521 2PS

5/2 1/8" doppio pulsante servopilotato

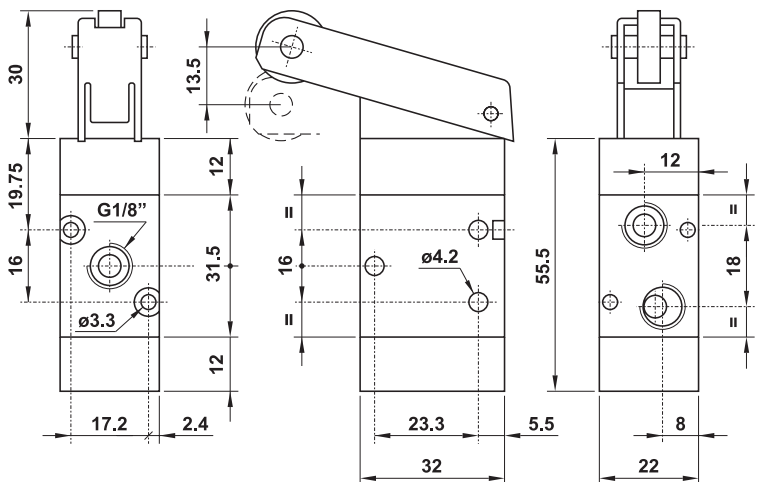
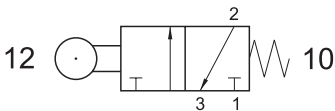
5/2 1/8" double servo-piloted tappet



321 MR

3/2 1/8" leva rullo - ritorno a molla

3/2 1/8" roller lever - spring return



Forza di azionamento: 9.81 N

Actuating force: 9.81 N

valvole ad azionamento meccanico

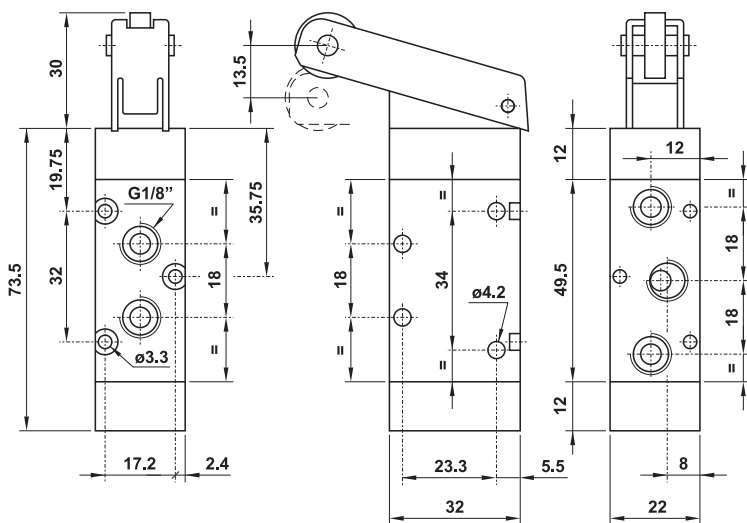
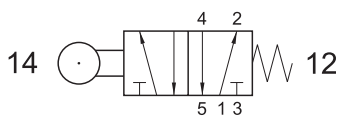
mechanically actuated valves



521 MR

5/2 1/8" leva rullo - ritorno a molla

5/2 1/8" roller lever - spring return



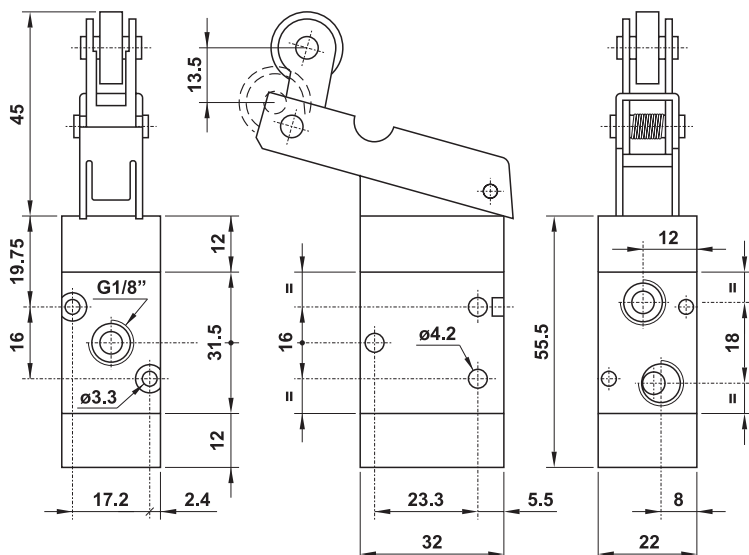
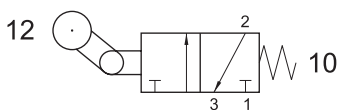
Forza di azionamento: 9.81 N

Actuating force: 9.81 N

321 MRU

3/2 1/8" leva unidirezionale - ritorno a molla

3/2 1/8" uni-directional lever - spring return



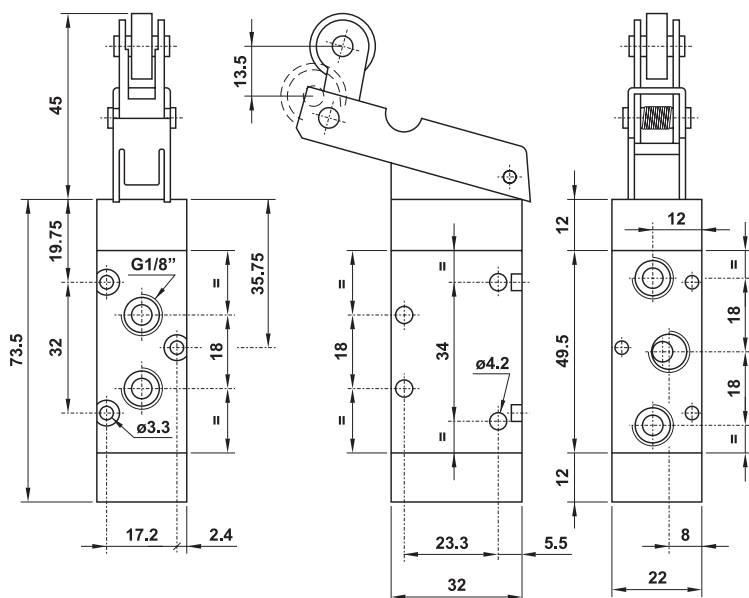
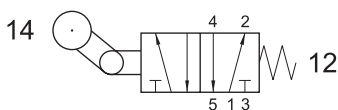
Forza di azionamento: 9.81 N

Actuating force: 9.81 N

521 MRU

5/2 1/8" leva unidirezionale - ritorno a molla

5/2 1/8" uni-directional lever - spring return



Forza di azionamento: 9.81 N

Actuating force: 9.81 N

valvole ad azionamento meccanico

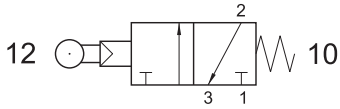
mechanically actuated valves



321 MRS

3/2 1/8" NC leva rullo servopilotata - ritorno a molla

3/2 1/8" NC servo-piloted roller lever - spring return



Forza di azionamento in funzione della pressione di alimentazione

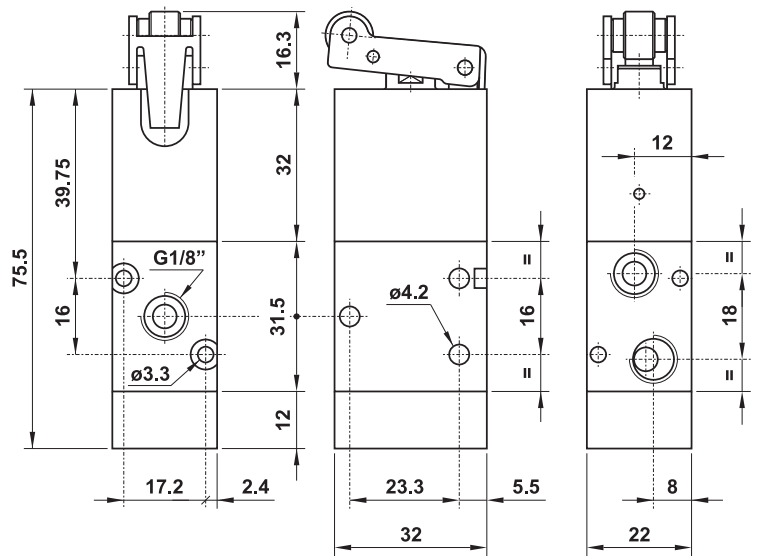
Actuating force related to inlet pressure

P_1 : 2 bar

P_1 : 10 bar

F: 3.6 N

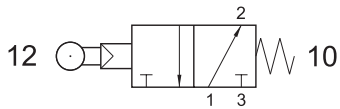
F: 11.4 N



321 MRSA

3/2 1/8" NA leva rullo servopilotata - ritorno a molla

3/2 1/8" NO servo-piloted roller lever - spring return



Forza di azionamento in funzione della pressione di alimentazione

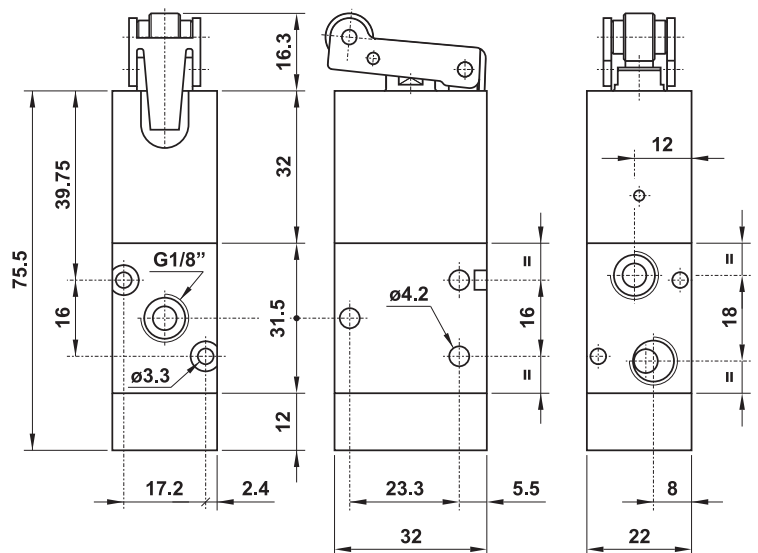
Actuating force related to inlet pressure

P_1 : 2 bar

P_1 : 10 bar

F: 3.6 N

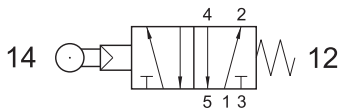
F: 11.4 N



521 MRS

5/2 1/8" leva rullo servopilotata - ritorno a molla

5/2 1/8" servo-piloted roller lever - spring return



Forza di azionamento in funzione della pressione di alimentazione

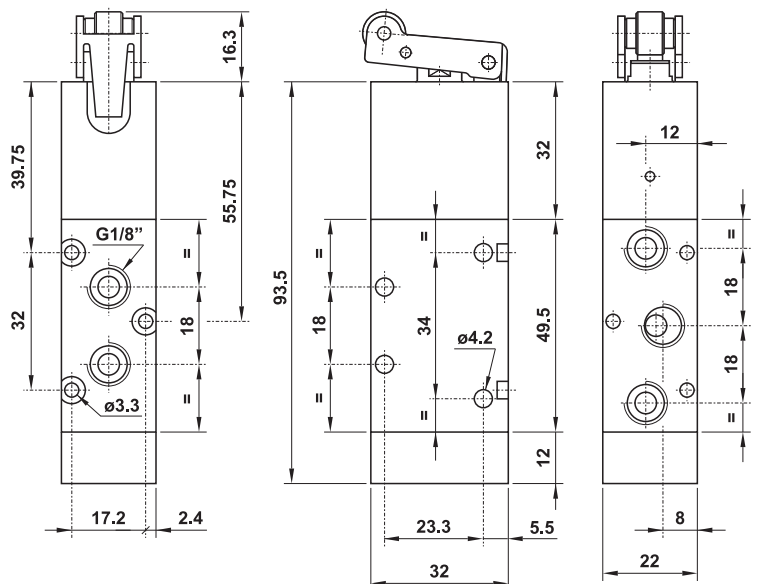
Actuating force related to inlet pressure

P_1 : 2 bar

P_1 : 10 bar

F: 3.6 N

F: 11.4 N



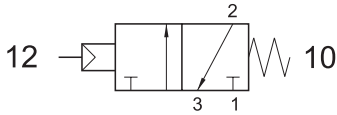
valvole ad azionamento meccanico

mechanically actuated valves



321 MN

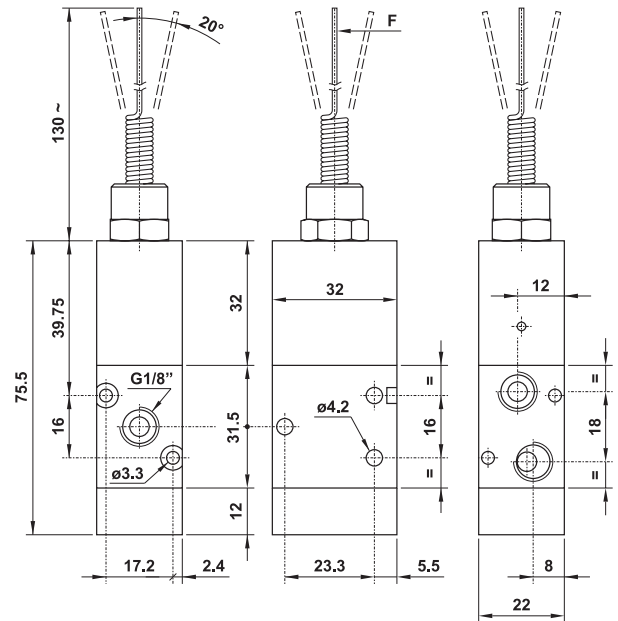
3/2 1/8" NC antenna servopilotata - ritorno a molla
3/2 1/8" NC servo-piloted whisker - spring return



Forza di azionamento in funzione della pressione di alimentazione

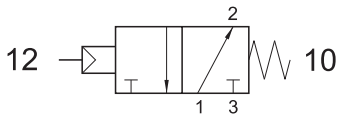
Actuating force related to inlet pressure

P_1 : 2 bar P_1 : 10 bar
 F : 0.3 N F : 0.8 N



321 MNA

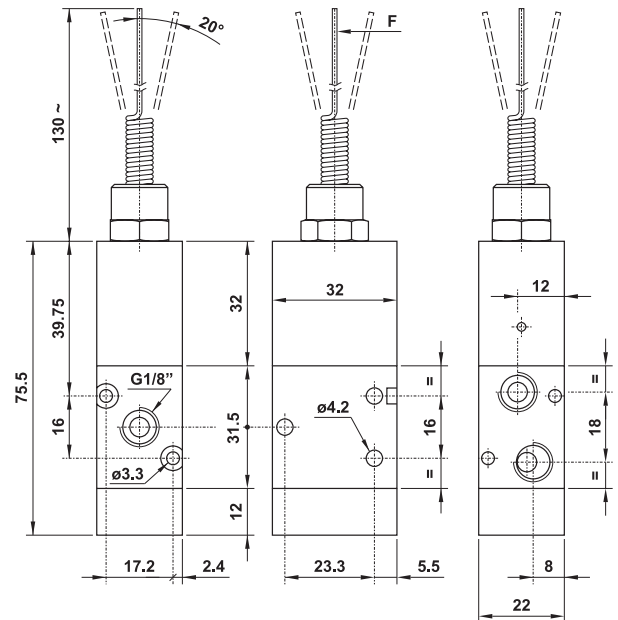
3/2 1/8" NA antenna servopilotata - ritorno a molla
3/2 1/8" NO servo-piloted whisker - spring return



Forza di azionamento in funzione della pressione di alimentazione

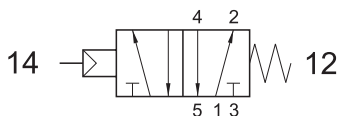
Actuating force related to inlet pressure

P_1 : 2 bar P_1 : 10 bar
 F : 0.3 N F : 0.8 N



521 MN

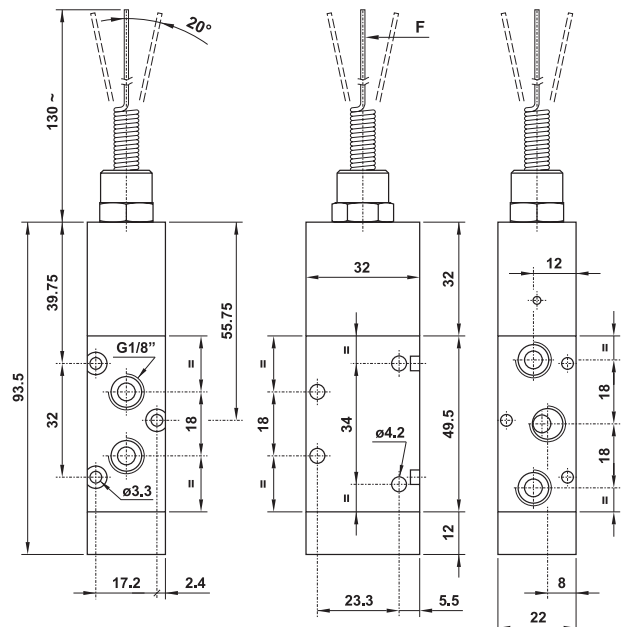
5/2 1/8" antenna servopilotata - ritorno a molla
5/2 1/8" servo-piloted whisker - spring return



Forza di azionamento in funzione della pressione di alimentazione

Actuating force related to inlet pressure

P_1 : 2 bar P_1 : 10 bar
 F : 0.3 N F : 0.8 N



valvole ad azionamento manuale

manually actuated valves



- Valvole a spola 3/2-5/2-5/3 con attacchi filettati G1/8"-G1/4"
3/2-5/2-5/3 spool valves with G1/8"-G1/4" threaded ports
- Installazione in qualsiasi posizione
Installation in any position
- Ampia gamma di azionamenti
Comprehensive range of actuations
- Valvole a leva e turetto: filetto per montaggio a pannello M18x1.5
Push/pull and lever valves: thread for panel mounting M18x1.5
- Versione per attuatore da pannello (foro ø22)
Version for actuator for panel mounting (with ø22 hole)
- Esecuzioni speciali a richiesta
Special versions on request



Materiali

Corpo: alluminio 11S

Molle: INOX

Guarnizioni: NBR

Spola: alluminio nichelato

Parti interne: ottone OT58

Materials

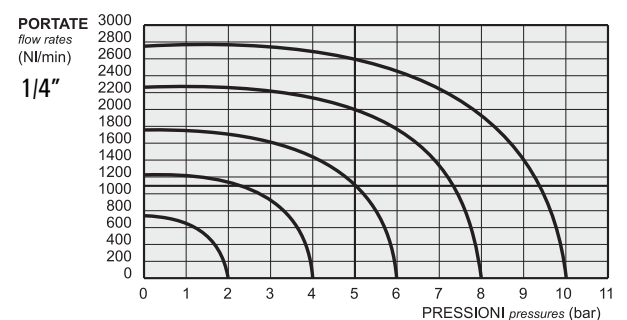
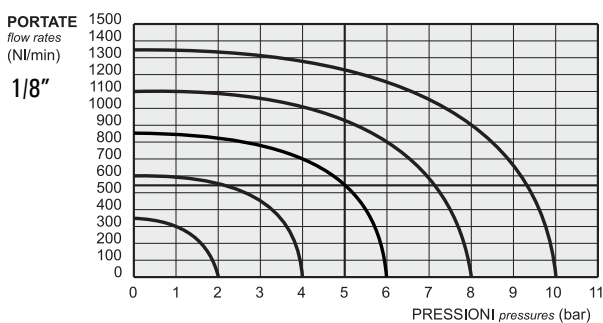
Body: aluminium 11S

Springs: stainless steel

Seals: NBR

Spool: nickel plated aluminium

Internal parts: brass OT58



| | | | | | |
|--|-----------------------------|---|---------------------------------|---|------|
| Diametro nominale <i>Nominal orifice</i> | | 1/8": 5 mm 1/4": 7.5 mm | | | |
| Temperatura di esercizio <i>Temperature range</i> | | max +60°C | | | |
| Pressione di esercizio <i>Working pressure</i> | | azionam. diretto <i>direct actuation</i> | | az. servopilotato <i>servo-piloted actuation</i> | |
| | | max 10 bar max 1 MPa | | 2.5 ... 10 bar 0.25 ... 1 MPa | |
| Forza di azionamento <i>Actuating force</i> | 1/8" monost. [1/8" monost.] | 1/4" monost. [1/4" monost.] | 1/8" bistabile [1/8" bi-stable] | 1/4" bistabile [1/4" bi-stable] | |
| | 15 N | | 20 N | | 10 N |
| Fluido <i>Fluid</i> | | Aria filtrata 50µ con o senza lubrificazione <i>50µ filtered, lubricated or non lubricated air</i> | | | |

valvole ad azionamento manuale

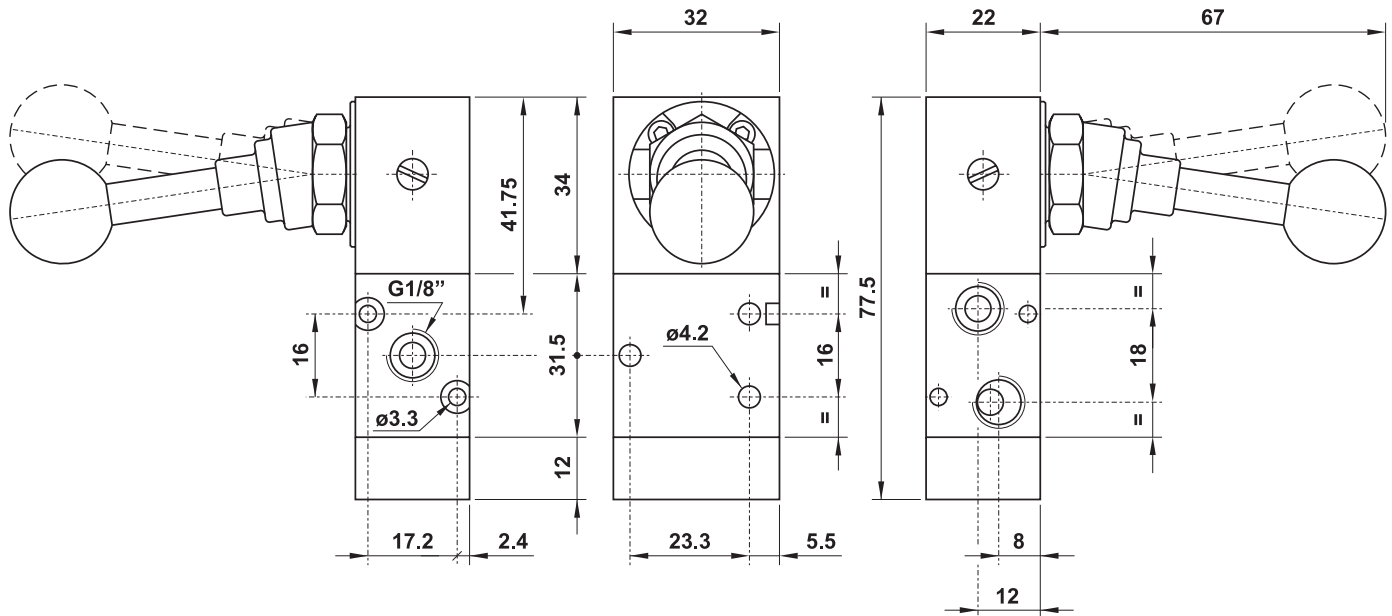
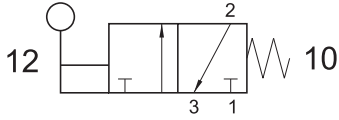
manually actuated valves



321 ML90

3/2 1/8" leva 90° - ritorno a molla

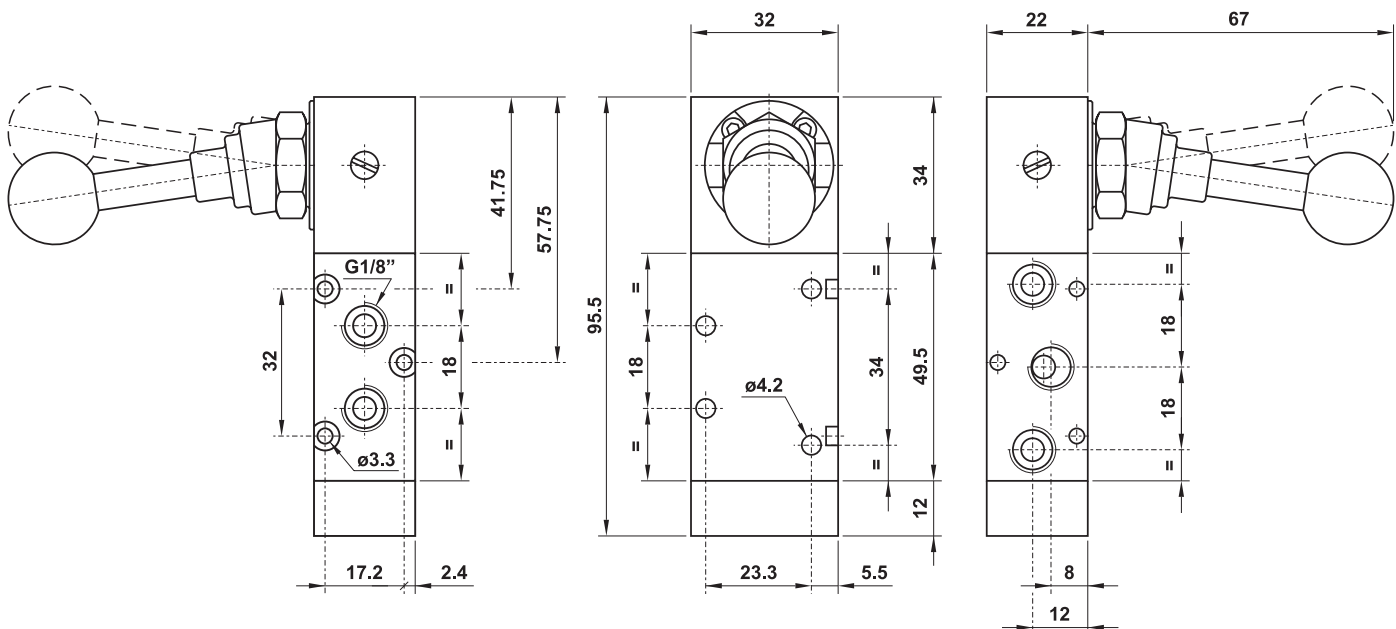
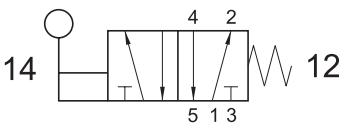
3/2 1/8" 90° lever - spring return



521 ML90

5/2 1/8" leva 90° - ritorno a molla

5/2 1/8" 90° lever - spring return



valvole ad azionamento manuale

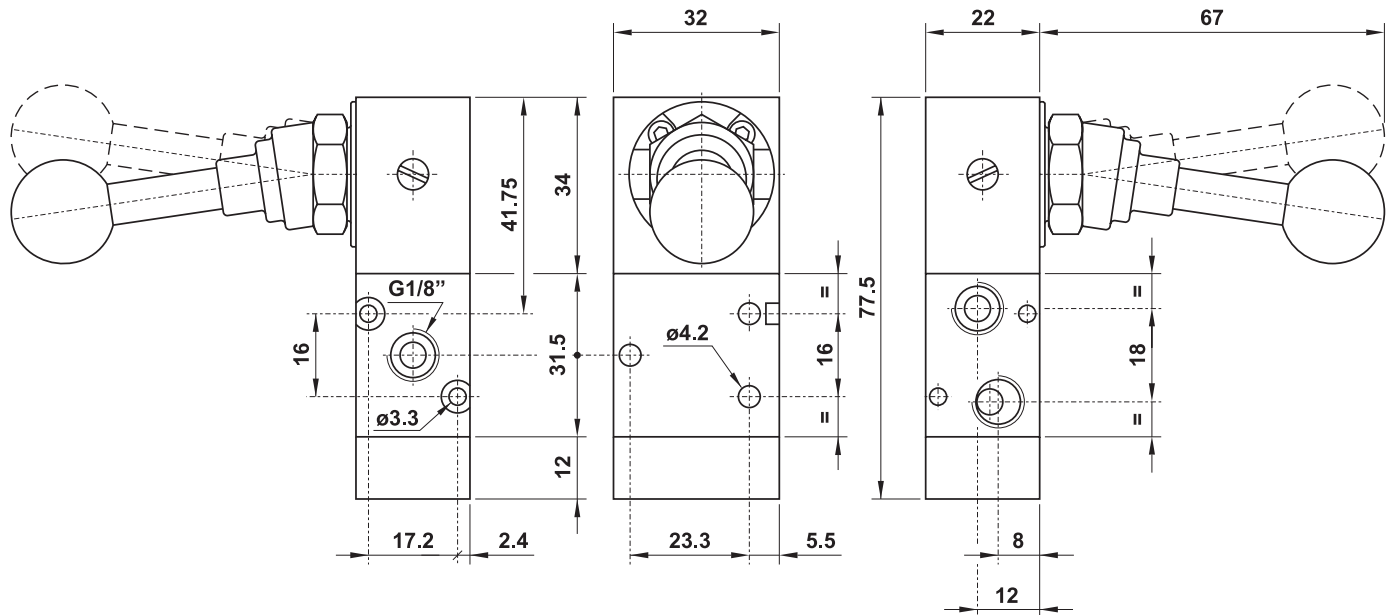
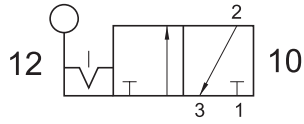
manually actuated valves



321 LL90

3/2 1/8" leva 90° bistabile

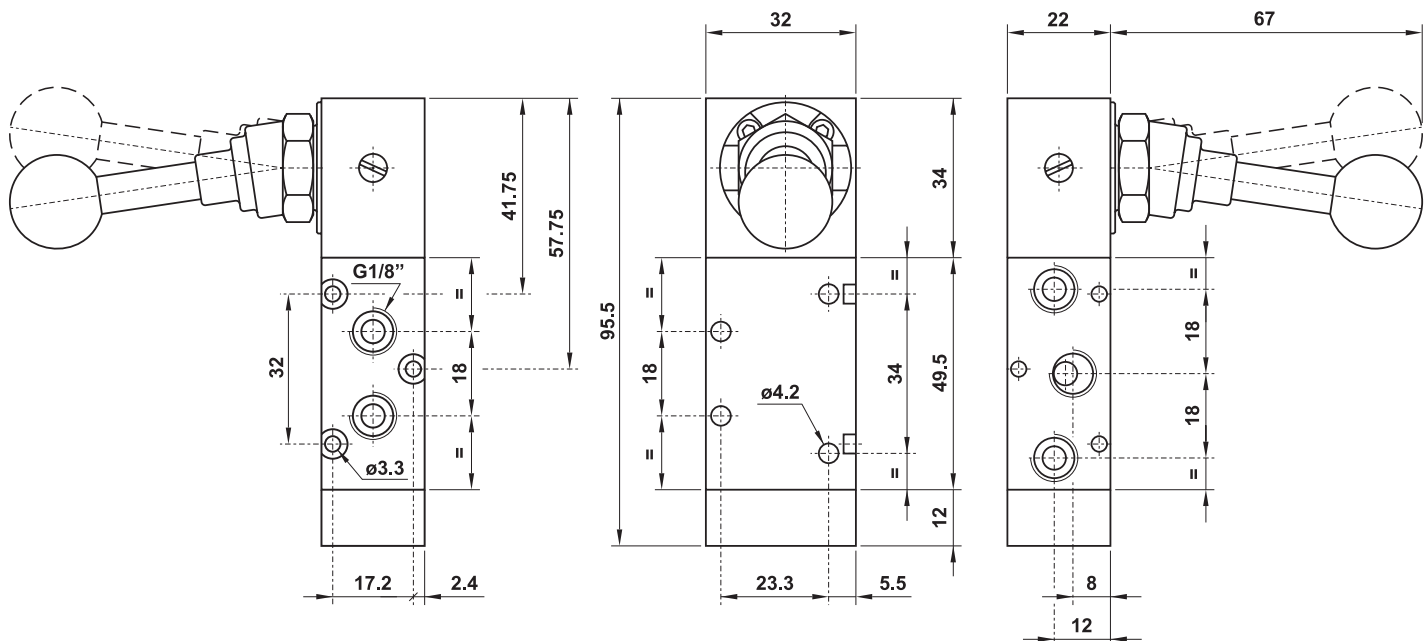
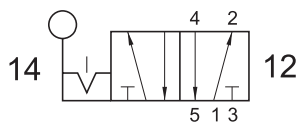
3/2 1/8" 90° bi-stable lever



521 LL90

5/2 1/8" leva 90° bistabile

5/2 1/8" 90° bi-stable lever



valvole ad azionamento manuale

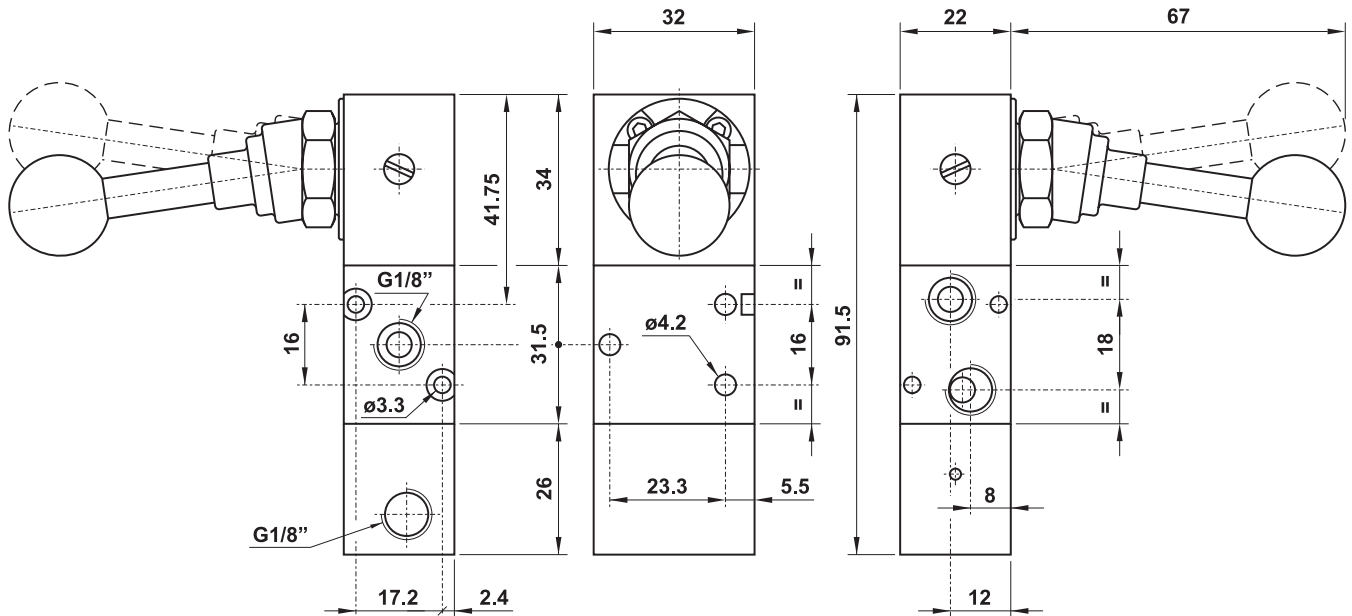
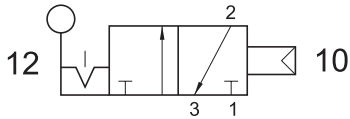
manually actuated valves



321 CL90

3/2 1/8" leva 90° - ritorno a comando pneumatico

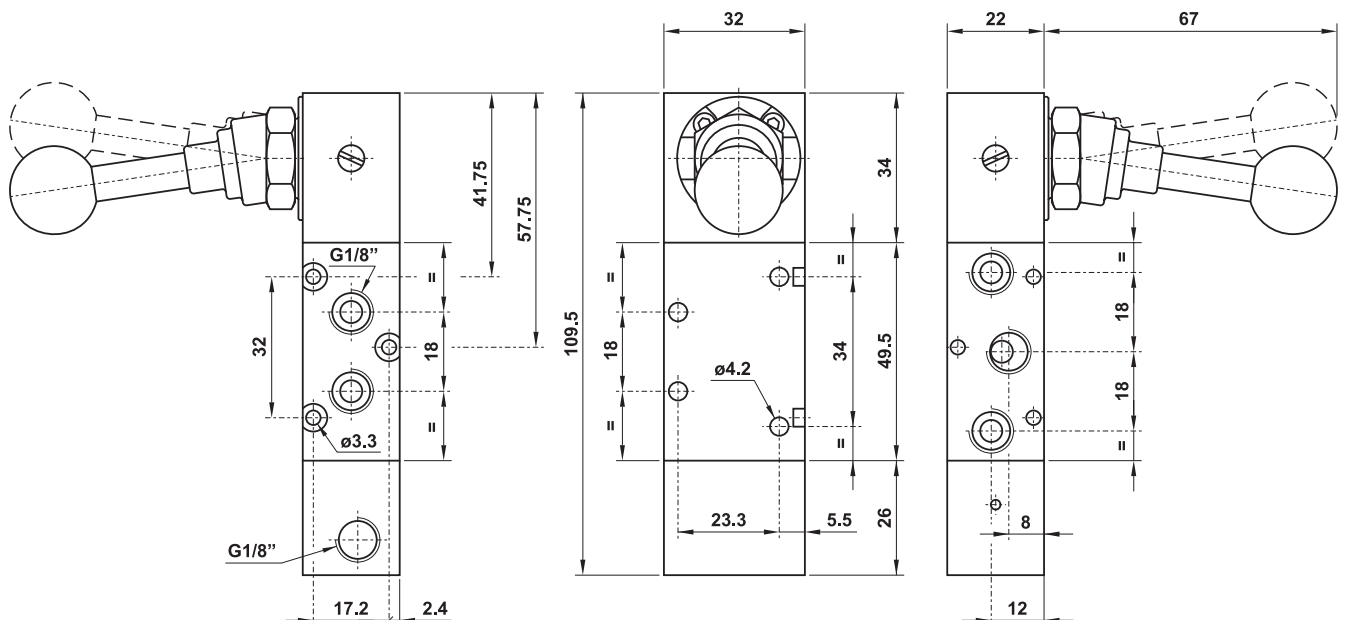
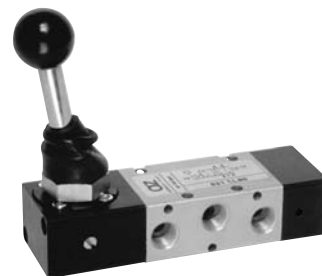
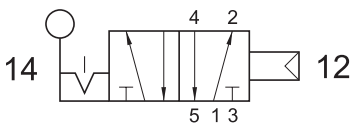
3/2 1/8" 90° lever - separate pneumatically piloted return



521 CL90

5/2 1/8" leva 90° - ritorno a comando pneumatico

5/2 1/8" 90° lever - separate pneumatically piloted return

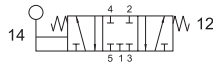


valvole ad azionamento manuale

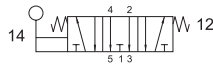
manually actuated valves



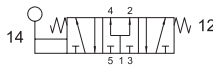
5213C ML90 centri chiusi
closed centres



5213A ML90 centri aperti
open centres

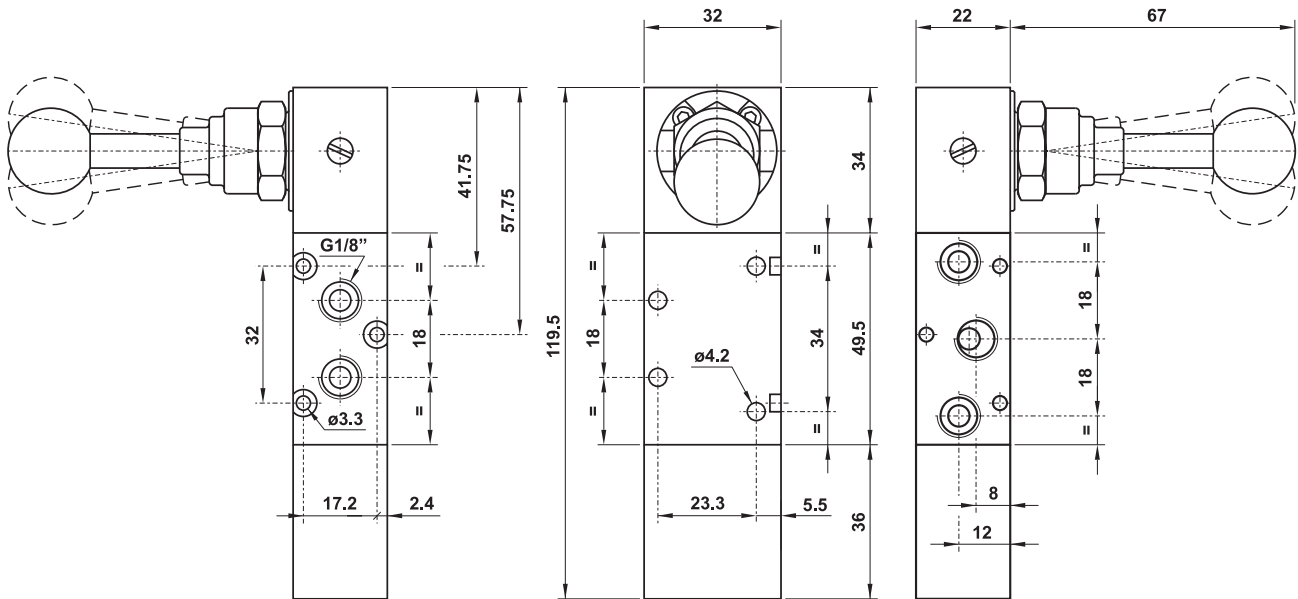


5213P ML90 centri in pressione
pressurized centres

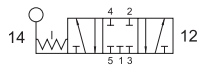


5/3 1/8" leva 90° - ritorno al centro

5/3 1/8" 90° lever - spring return to centre



5213C LL90 centri chiusi
closed centres



5213A LL90 centri aperti
open centres

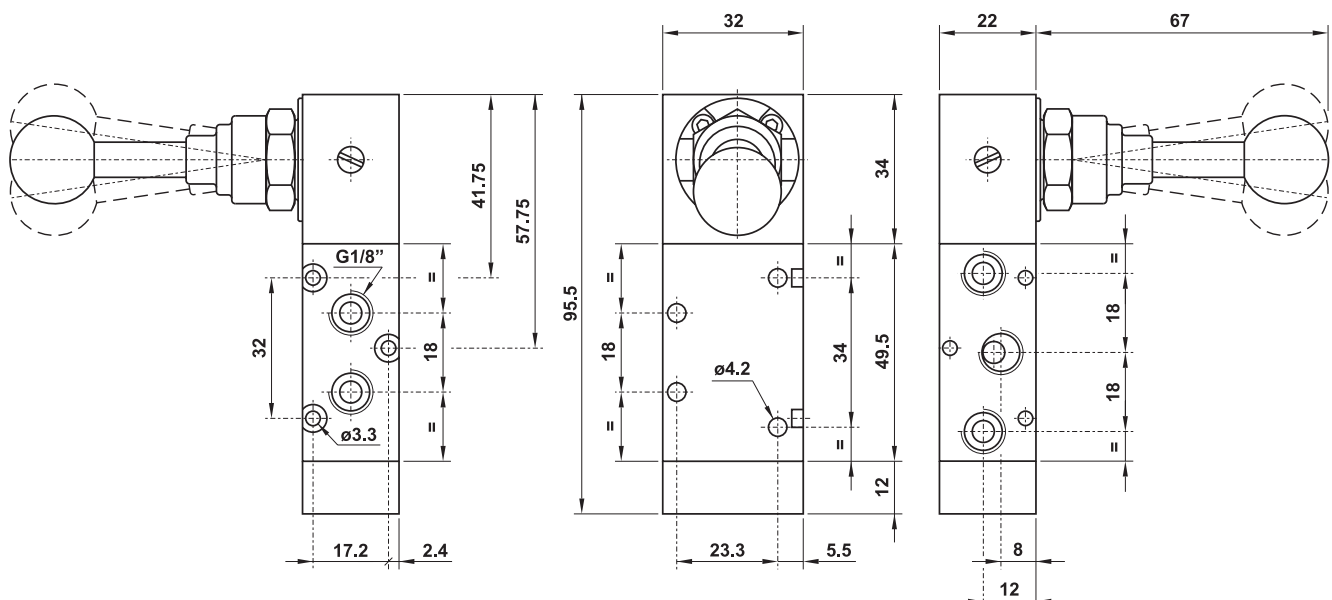


5213P LL90 centri in pressione
pressurized centres



5/3 1/8" leva 90° - tre posizioni stabili

5/3 1/8" 90° lever - three detented positions



valvole ad azionamento manuale

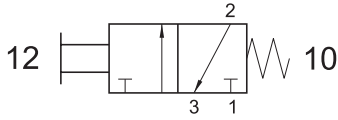
manually actuated valves



321 MT

3/2 1/8" tiretto - ritorno a molla

3/2 1/8" push/pull with spring return

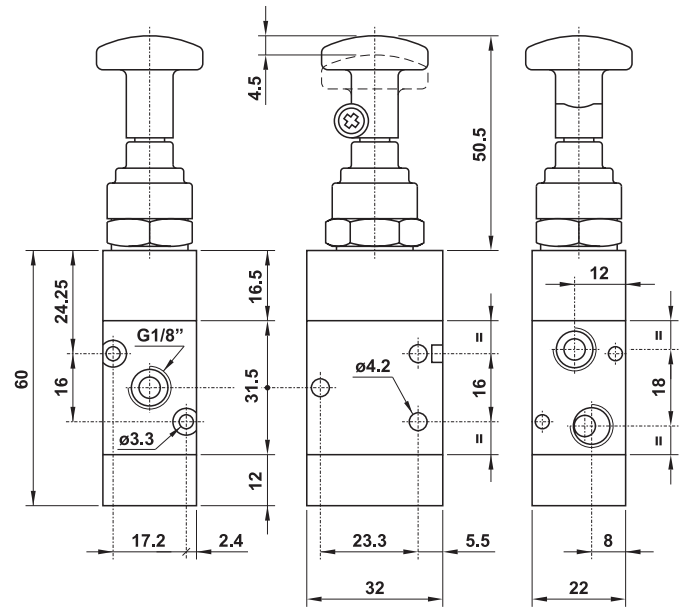


Pomolo tiretto standard: NERO

A richiesta pomolo ROSSO

Standard push button: BLACK

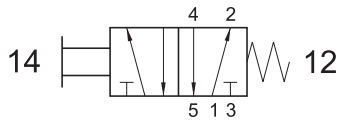
On request RED push button



521 MT

5/2 1/8" tiretto - ritorno a molla

5/2 1/8" push/pull with spring return

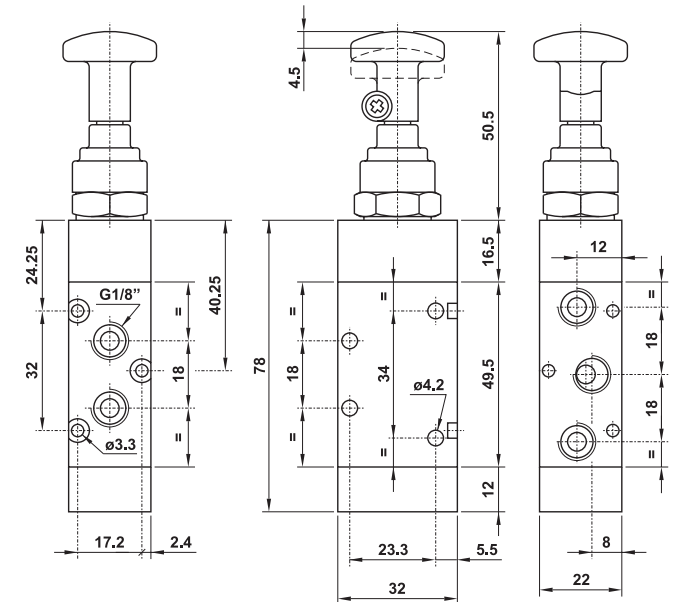


Pomolo tiretto standard: NERO

A richiesta pomolo ROSSO

Standard push button: BLACK

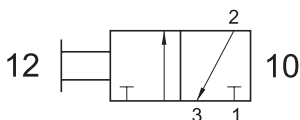
On request RED push button



321 TT

3/2 1/8" tiretto bistabile

3/2 1/8" detented push/pull

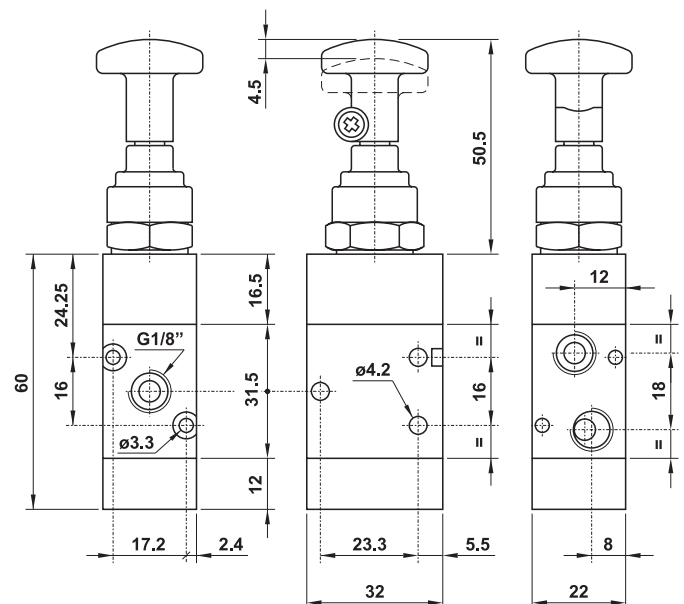


Pomolo tiretto standard: NERO

A richiesta pomolo ROSSO

Standard push button: BLACK

On request RED push button



valvole ad azionamento manuale

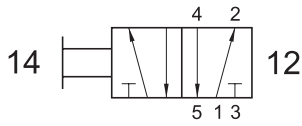
manually actuated valves



521 TT

5/2 1/8" tiretto bistabile

5/2 1/8" detented push/pull

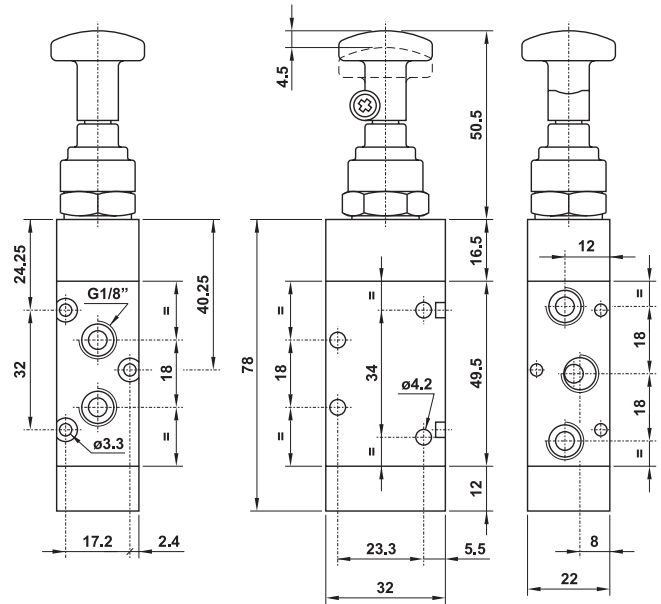


Pomolo tiretto standard: NERO

A richiesta pomolo ROSSO

Standard push button: BLACK

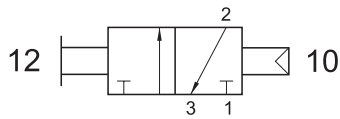
On request RED push button



321 CT

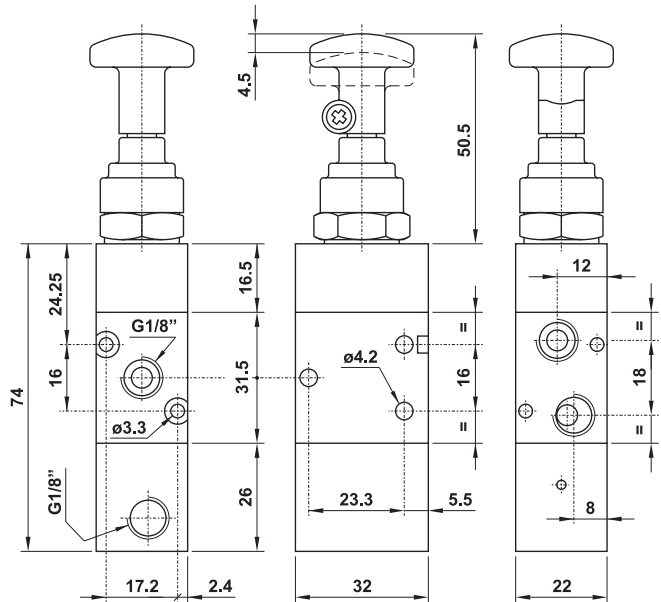
3/2 1/8" tiretto sganciato - ritorno a comando pneumatico

3/2 1/8" push/pull with separate pneumatically piloted return



Dopo aver premuto il tiretto, il ritorno si effettua soltanto a comando pneumatico.

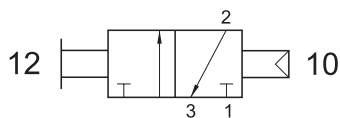
The return can be done only with pneumatic pilot signal.



321 CTT

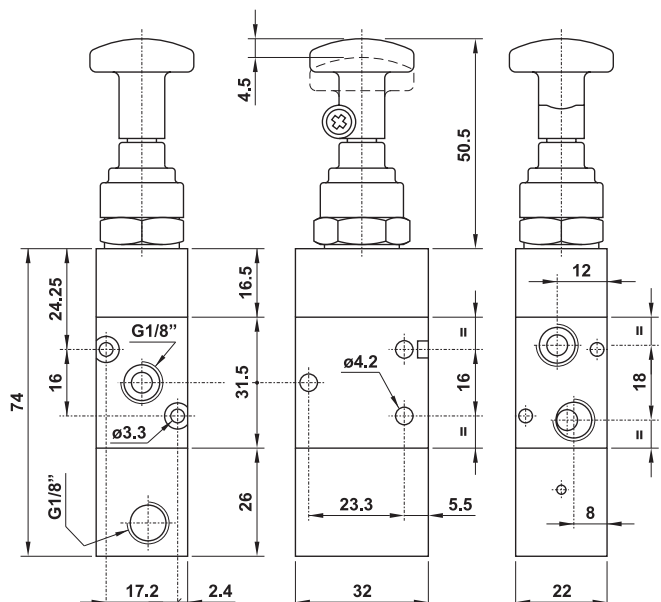
3/2 1/8" tiretto agganciato - ritorno a comando pneumatico

3/2 1/8" detented push/pull with separate pneumatically piloted return



Dopo aver premuto il tiretto, il ritorno può essere effettuato inviando un segnale pneumatico o tirando il tiretto.

The return can be done with pneumatic pilot signal or by pulling the knob.



valvole ad azionamento manuale

manually actuated valves



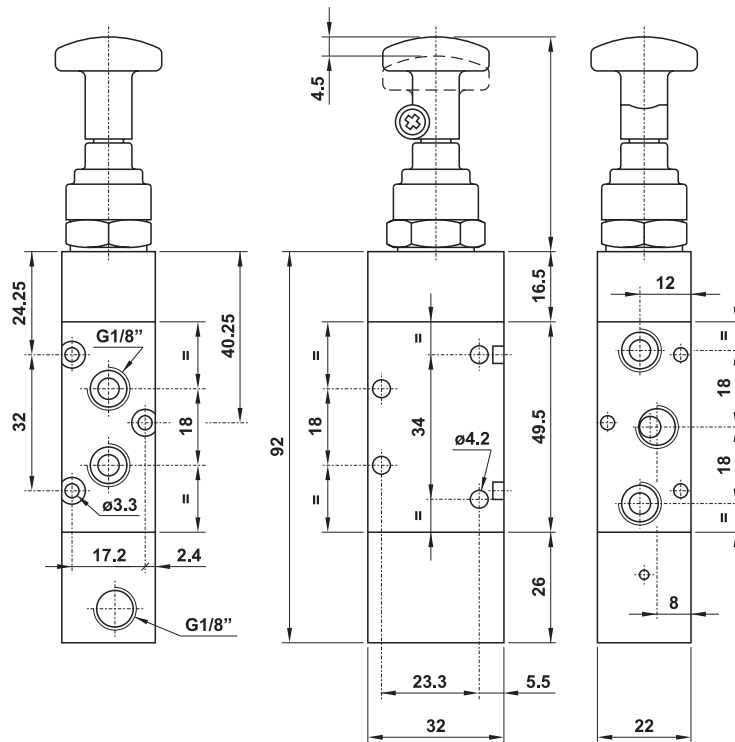
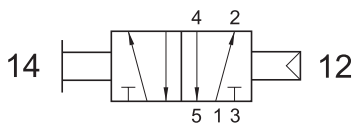
521 CT

5/2 1/8" tiretto sganciato - ritorno a comando pneumatico

5/2 1/8" push/pull with separate pneumatically piloted return

Dopo aver premuto il tiretto, il ritorno si effettua soltanto a comando pneumatico.

The return can be done only with pneumatic pilote signal.



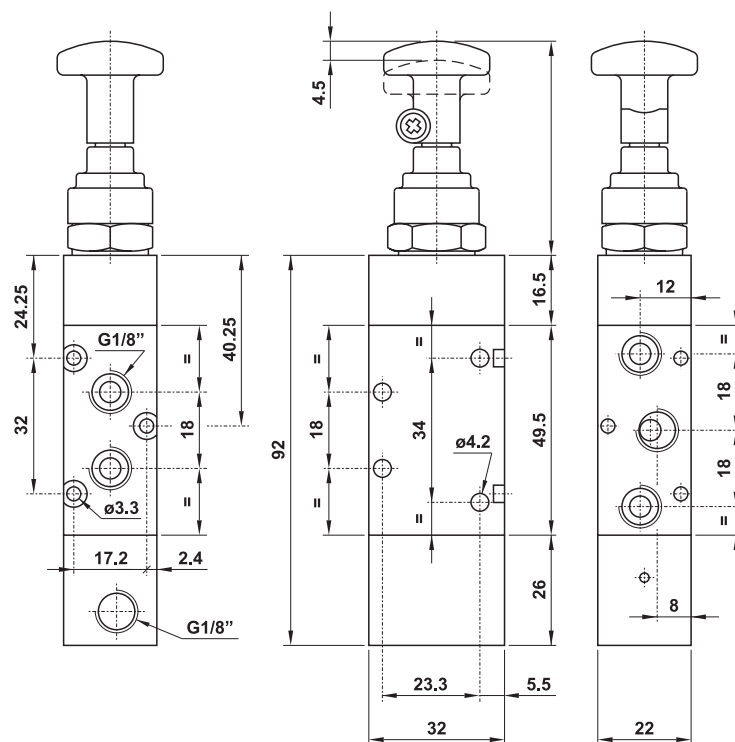
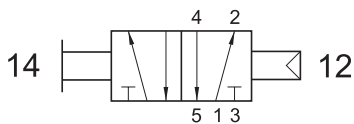
521 CTT

5/2 1/8" tiretto agganciato - ritorno a comando pneumatico

5/2 1/8" detented push/pull with separate pneumatically piloted return

Dopo aver premuto il tiretto, il ritorno può essere effettuato inviando un segnale pneumatico o tirando il tiretto.

The return can be done with pneumatic pilote signal or by pulling the knob.



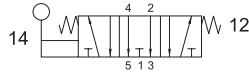
valvole ad azionamento manuale

manually actuated valves



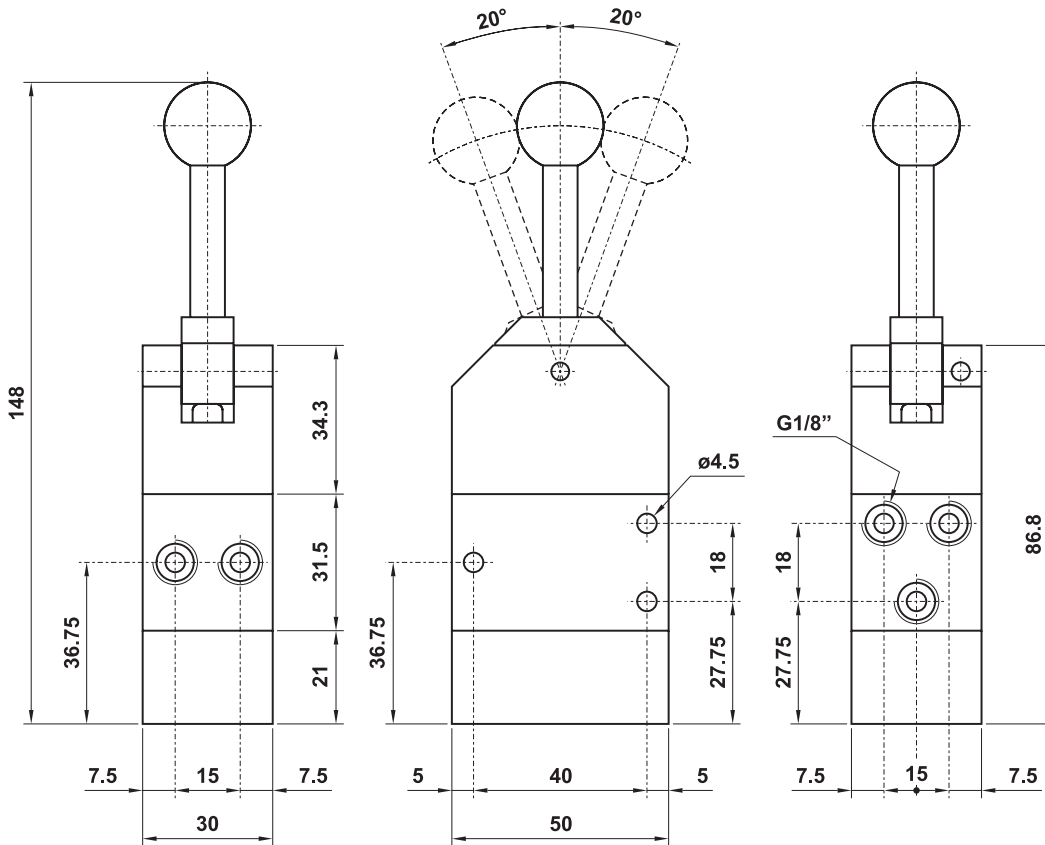
5213A ML

centri aperti
open centres



5/3 1/8" leva in testa - ritorno al centro

5/3 1/8" top lever - spring return to centre

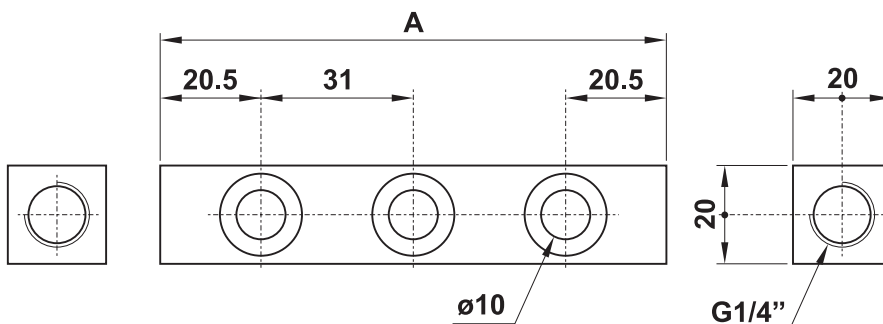


- Collettori per valvole 5213A ML
Collectors for valves 5213A ML

- Alimentazione unica
Only one air supply port



| modello model | nr. posizioni no. stations | A |
|------------------|-------------------------------|-----|
| 00.136.3 | 2 | 72 |
| 00.137.3 | 3 | 103 |
| 00.138.3 | 4 | 134 |
| 00.139.3 | 5 | 165 |



Ogni pezzo è venduto in kit con le viti e le guarnizioni necessarie al suo assemblaggio.
It is sold in kit with all necessary screws and sealings for installation.

valvole ad azionamento manuale

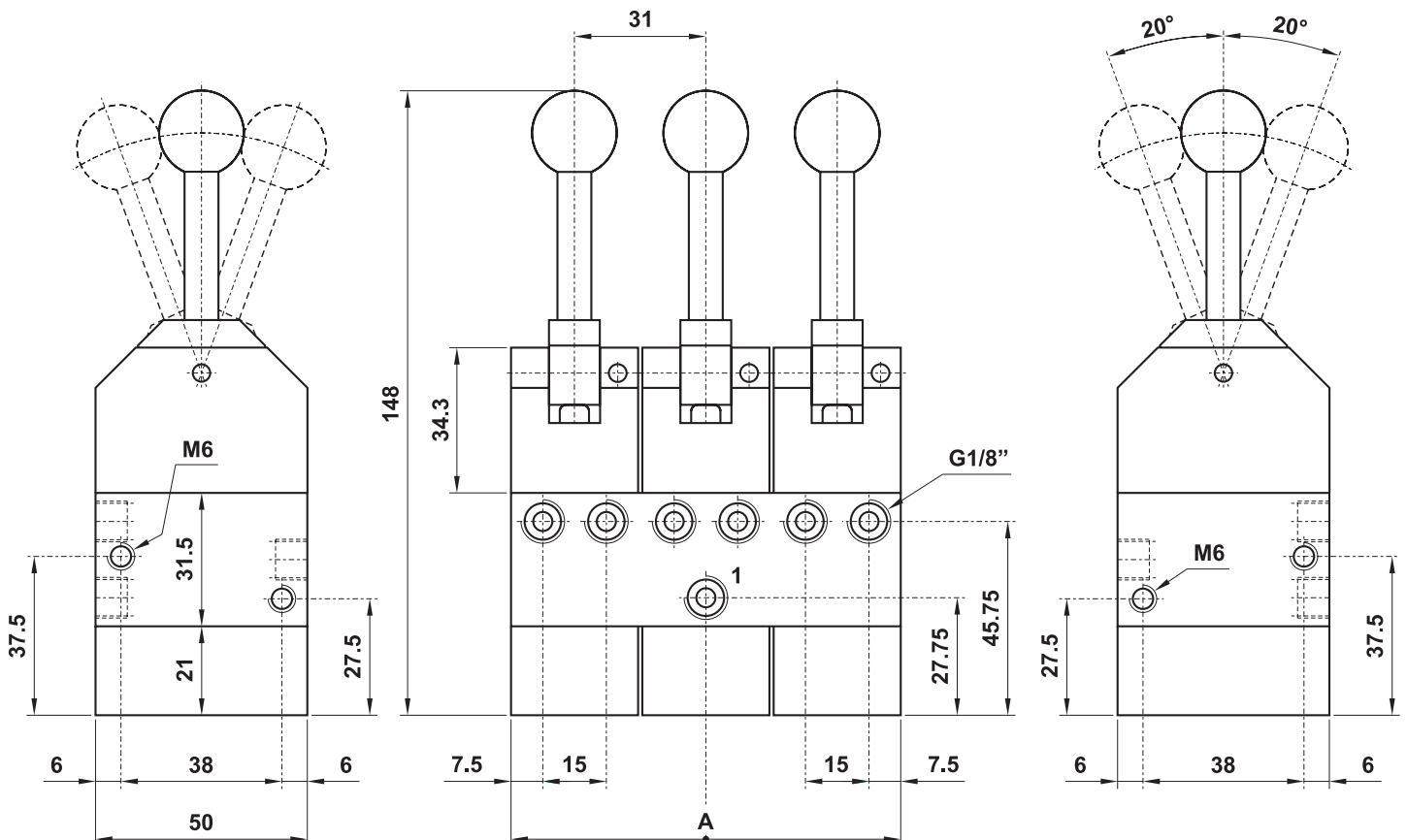
manually actuated valves



- Blocchi di valvole 5/3 centri aperti, leva in testa, ritorno al centro
Blocks of valves 5/3 open centres, top lever, spring return to centre
- Alimentazione unica
Only one air supply port



| modello <i>model</i> | nr. posizioni <i>no. stations</i> | A |
|-------------------------|--------------------------------------|-----|
| 00.163.4 | 2 | 61 |
| 00.160.4 | 3 | 92 |
| 00.164.4 | 4 | 123 |



valvole ad azionamento manuale

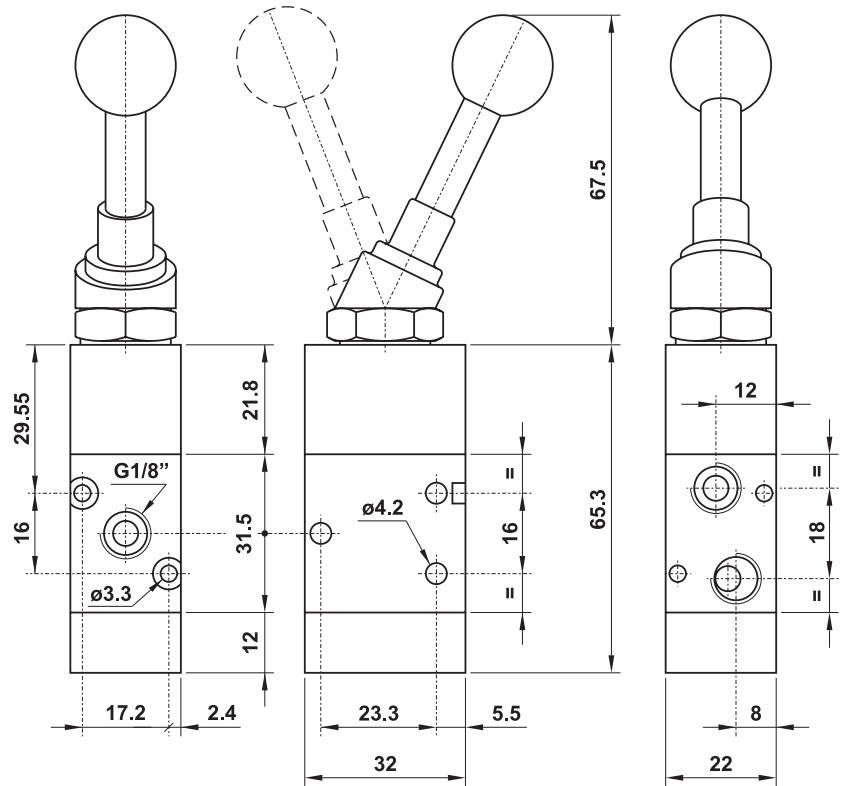
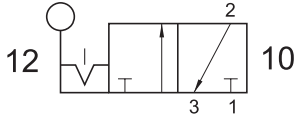
manually actuated valves



321 LL

3/2 1/8" leva in testa bistabile

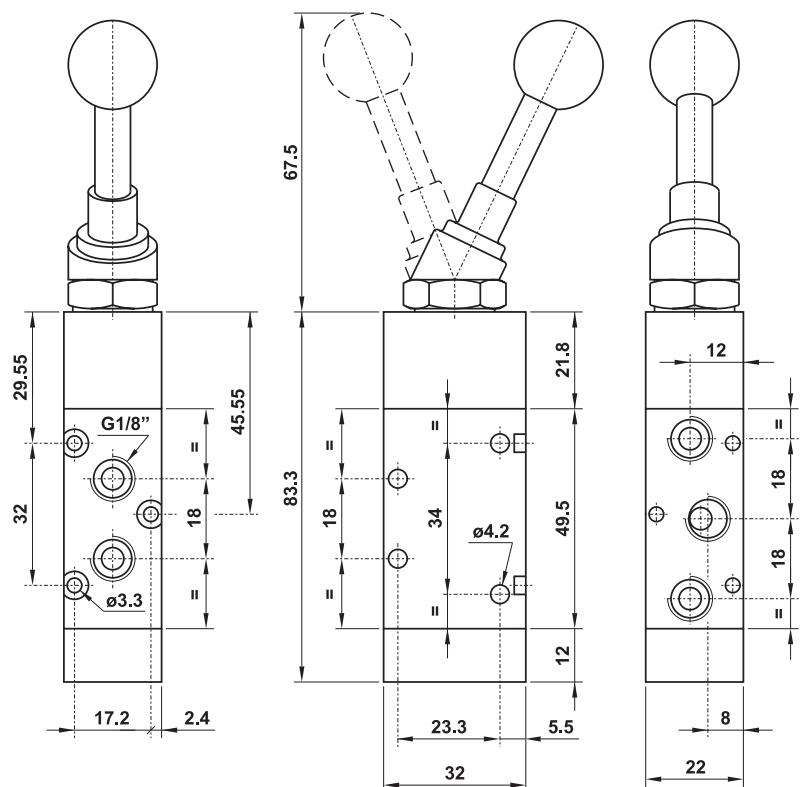
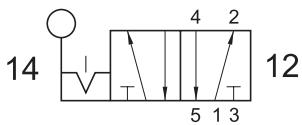
3/2 1/8" bi-stable top lever



521 LL

5/2 1/8" leva in testa bistabile

5/2 1/8" bi-stable top lever



valvole ad azionamento manuale

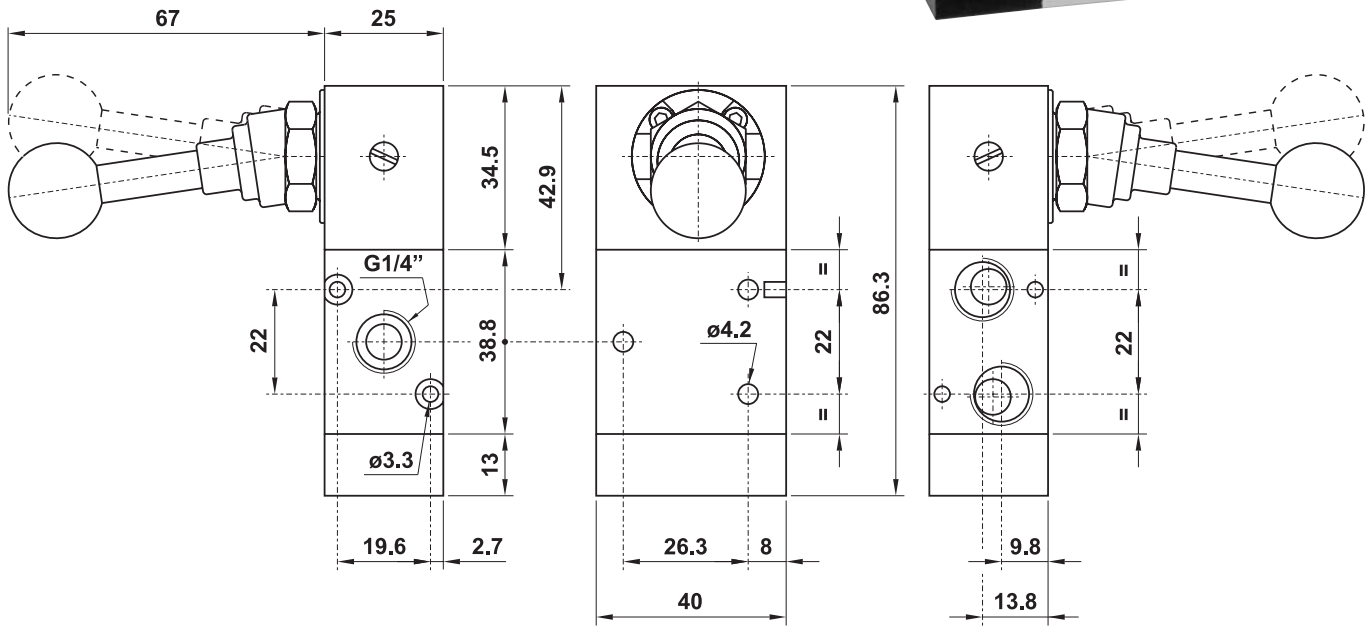
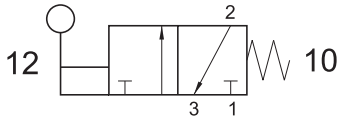
manually actuated valves



322 ML90

3/2 1/4" leva 90° - ritorno a molla

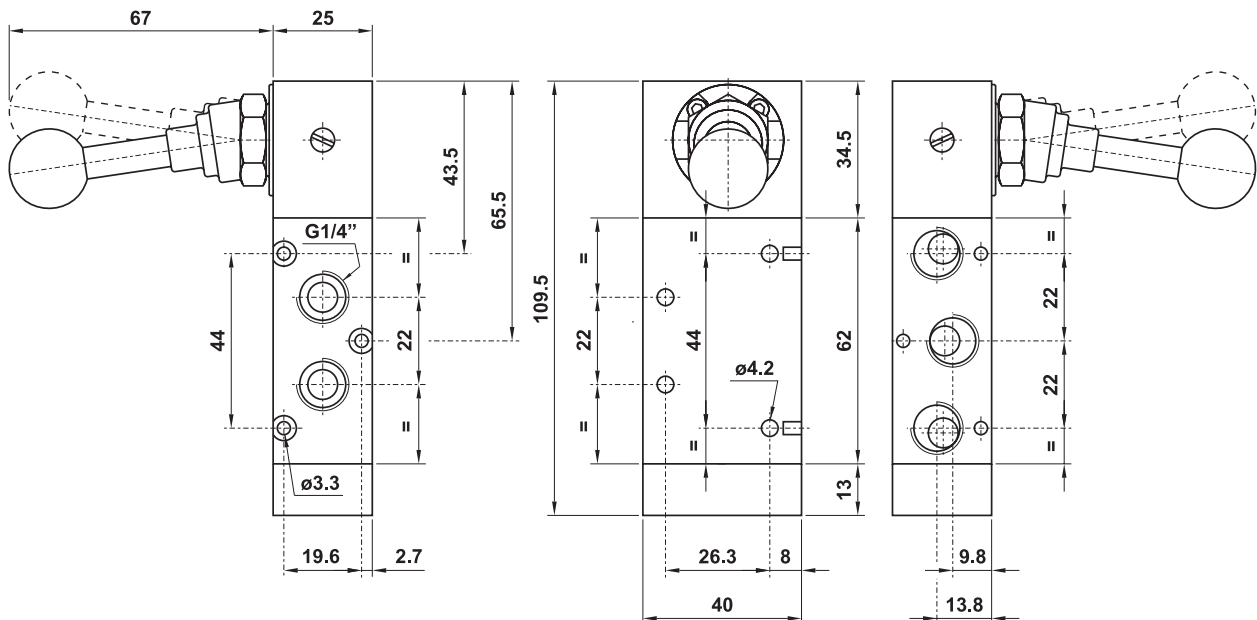
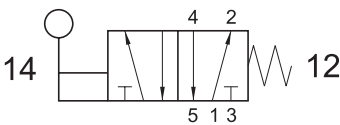
3/2 1/4" 90° lever - spring return



522 ML90

5/2 1/4" leva 90° - ritorno a molla

5/2 1/4" 90° lever - spring return



valvole ad azionamento manuale

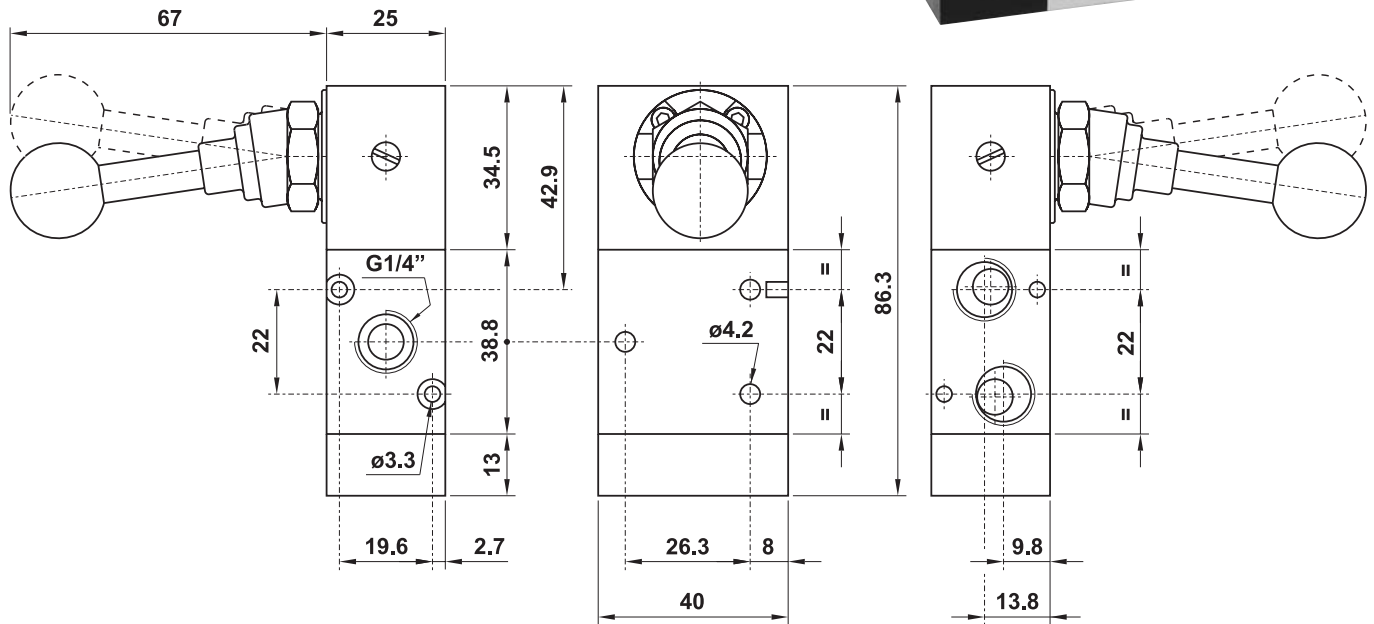
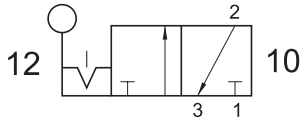
manually actuated valves



322 LL90

3/2 1/4" leva 90° bistabile

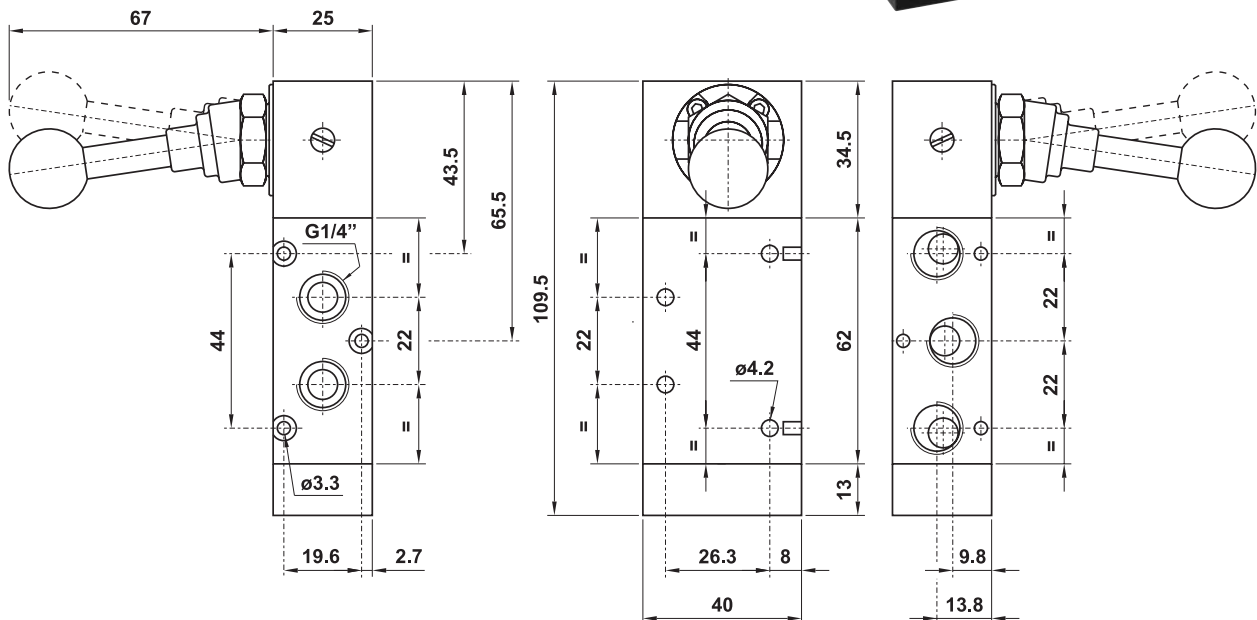
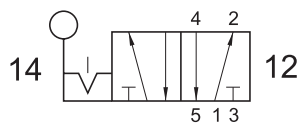
3/2 1/4" 90° bi-stable lever



522 LL90

5/2 1/4" leva 90° bistabile

5/2 1/4" 90° bi-stable lever



valvole ad azionamento manuale

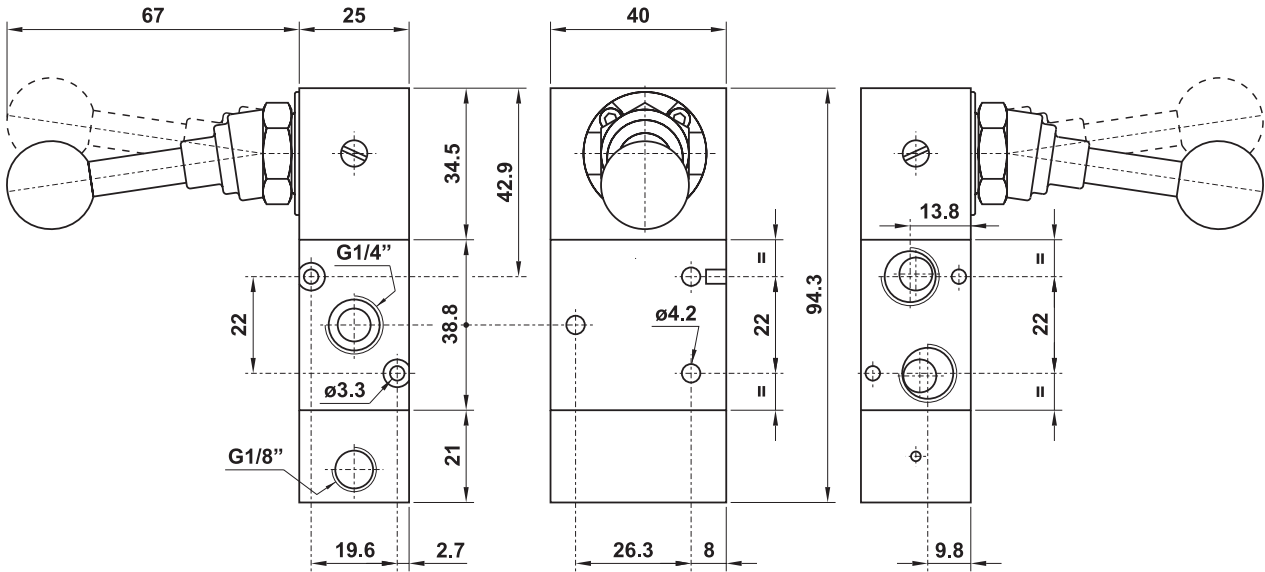
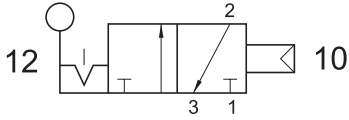
manually actuated valves



322 CL90

3/2 1/4" leva 90° - ritorno a comando pneumatico

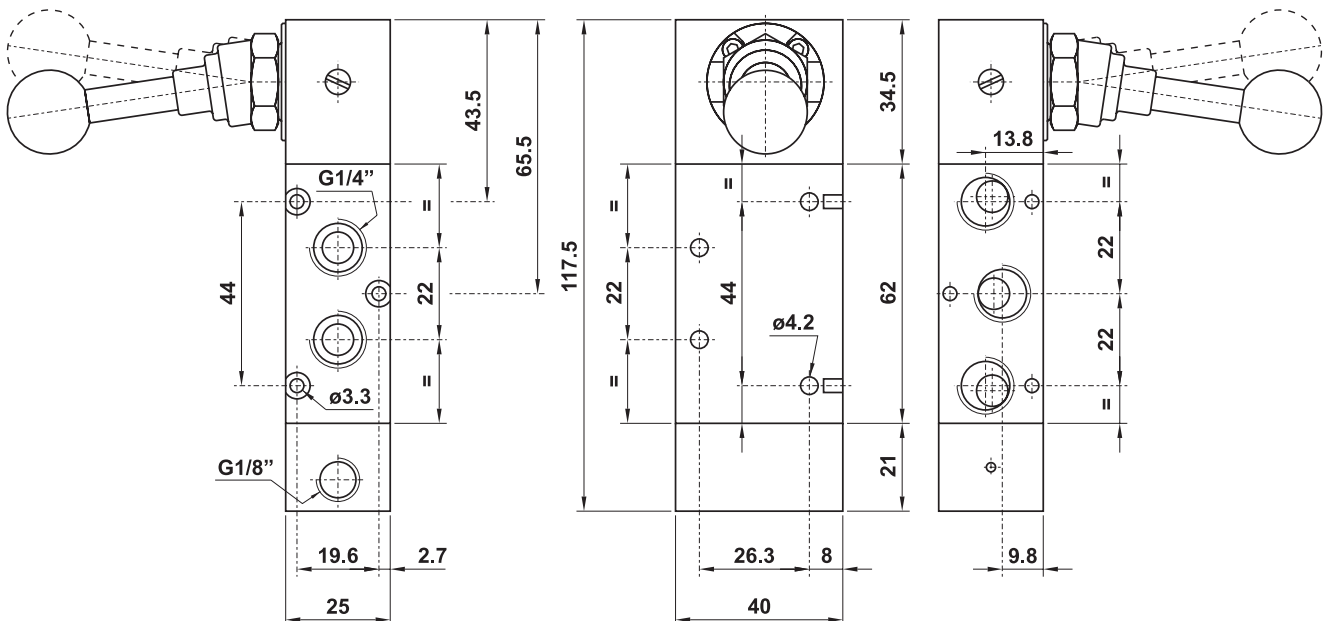
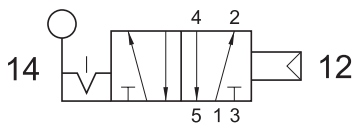
3/2 1/4" 90° lever - separate pneumatically piloted return



522 CL90

5/2 1/4" leva 90° - ritorno a comando pneumatico

5/2 1/4" 90° lever - separate pneumatically piloted return



valvole ad azionamento manuale

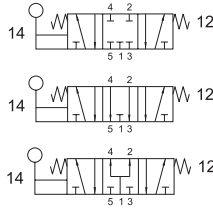
manually actuated valves



5223C ML90 centri chiusi
closed centres

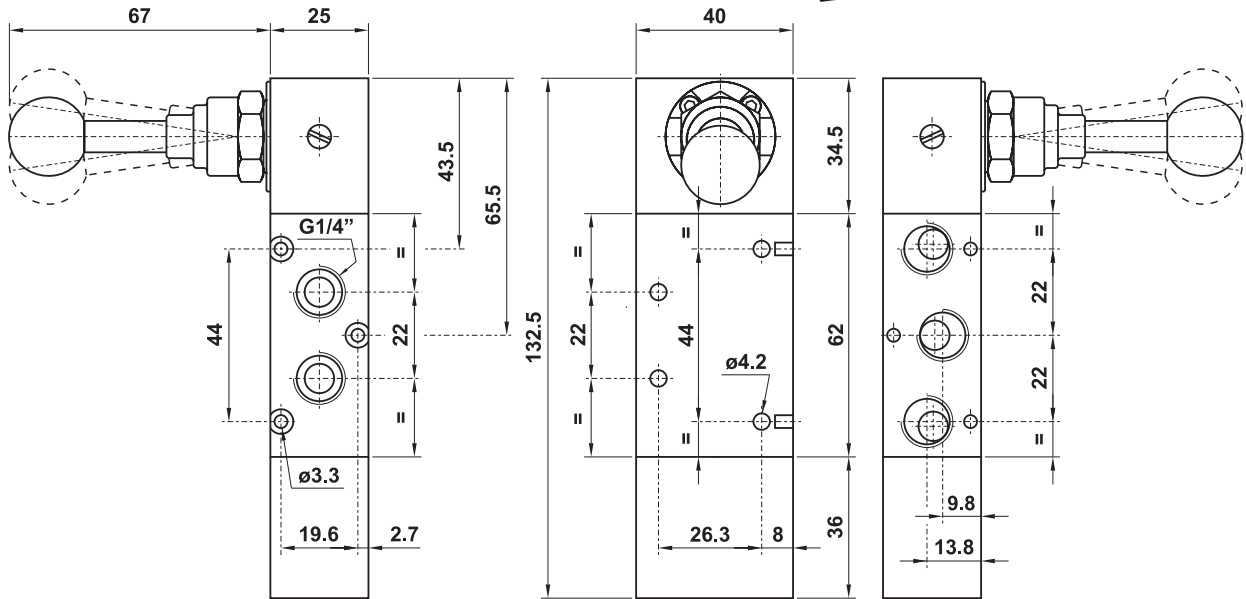
5223A ML90 centri aperti
open centres

5223P ML90 centri in pressione
pressurized centres



5/3 1/4" leva 90° - ritorno al centro

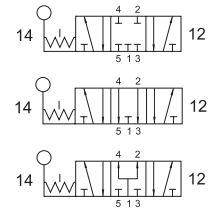
5/3 1/4" 90° lever - spring return to centre



5223C LL90 centri chiusi
closed centres

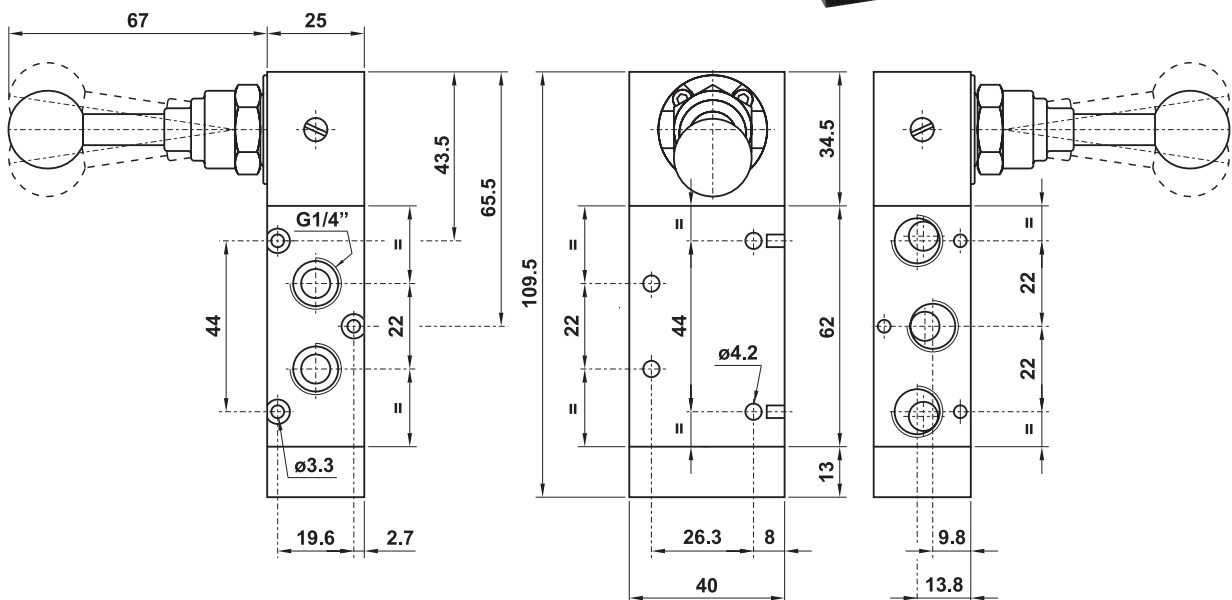
5223A LL90 centri aperti
open centres

5223P LL90 centri in pressione
pressurized centres



5/3 1/4" leva 90° - tre posizioni stabili

5/3 1/4" 90° lever - three detented positions



valvole ad azionamento manuale

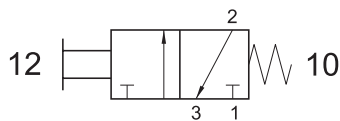
manually actuated valves



322 MT

3/2 1/4" tiretto - ritorno a molla

3/2 1/4" push/pull with spring return

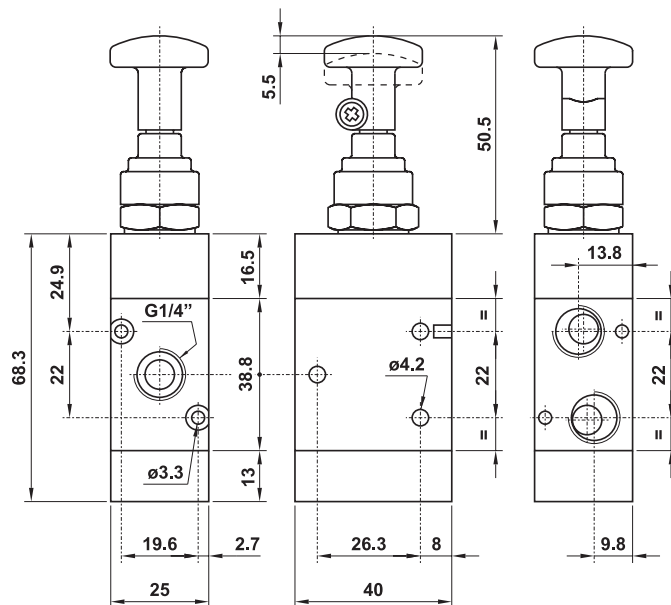


Pomolo tiretto standard: NERO

A richiesta pomolo ROSSO

Standard push button: BLACK

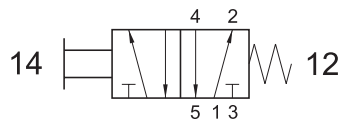
On request RED push button



522 MT

5/2 1/4" tiretto - ritorno a molla

5/2 1/4" push/pull with spring return

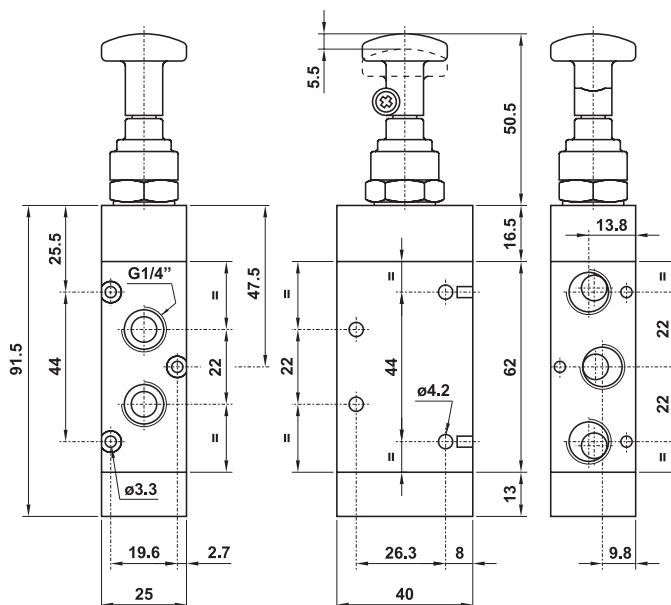


Pomolo tiretto standard: NERO

A richiesta pomolo ROSSO

Standard push button: BLACK

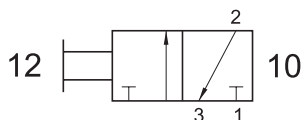
On request RED push button



322 TT

3/2 1/4" tiretto - bistabile

3/2 1/4" detented push/pull

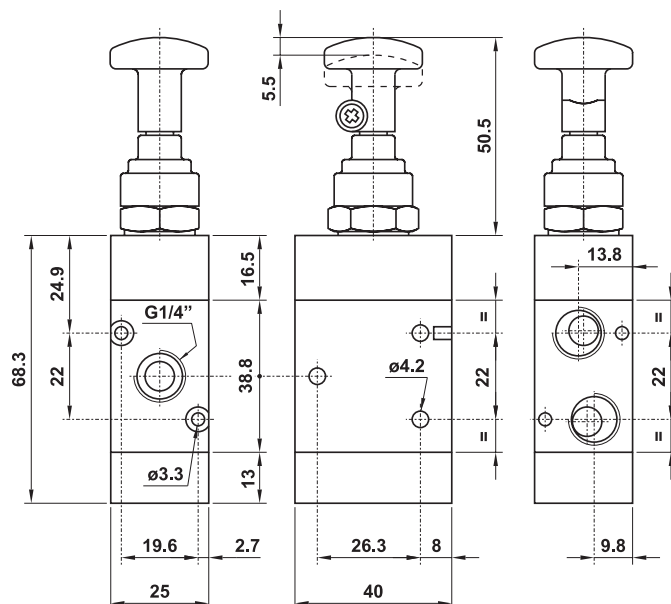


Pomolo tiretto standard: NERO

A richiesta pomolo ROSSO

Standard push button: BLACK

On request RED push button



valvole ad azionamento manuale

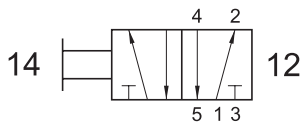
manually actuated valves



522 TT

5/2 1/4" tiretto - bistabile

5/2 1/4" detented push/pull

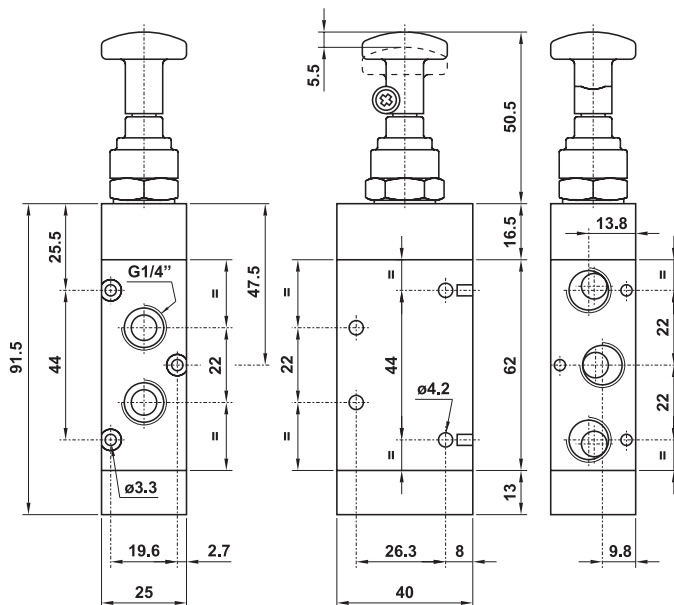


Pomolo tiretto standard: NERO

A richiesta pomolo ROSSO

Standard push button: BLACK

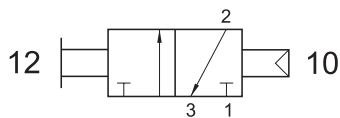
On request RED push button



322 CT

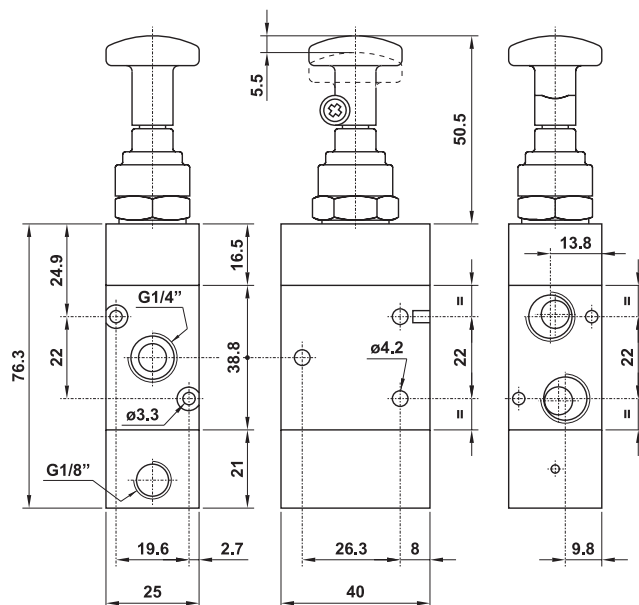
3/2 1/4" tiretto sganciato - ritorno a comando pneumatico

3/2 1/4" push/pull with separate pneumatically piloted return



Dopo aver premuto il tiretto, il ritorno si effettua soltanto a comando pneumatico.

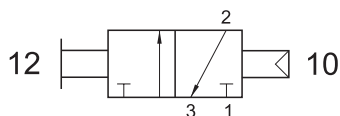
The return can be done only with pneumatic pilote signal.



322 CTT

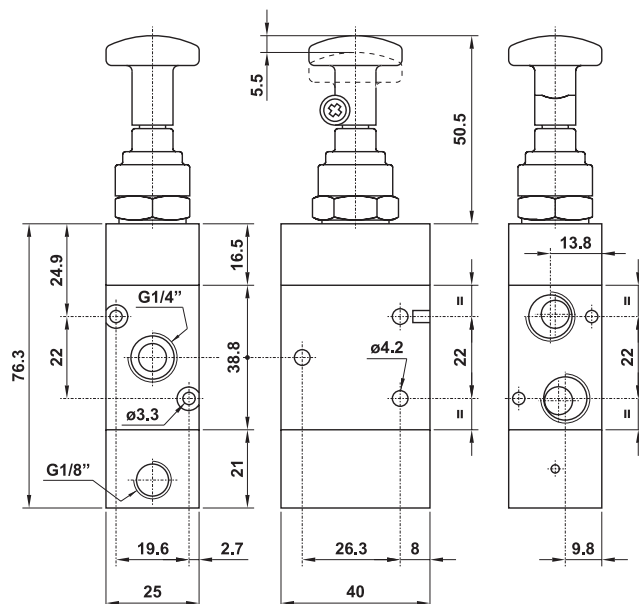
3/2 1/4" tiretto agganciato - ritorno a comando pneumatico

3/2 1/4" detented push/pull with separate pneumatically piloted return



Dopo aver premuto il tiretto, il ritorno può essere effettuato inviando un segnale pneumatico o tirando il tiretto.

The return can be done with pneumatic pilote signal or by pulling the knob.



valvole ad azionamento manuale

manually actuated valves



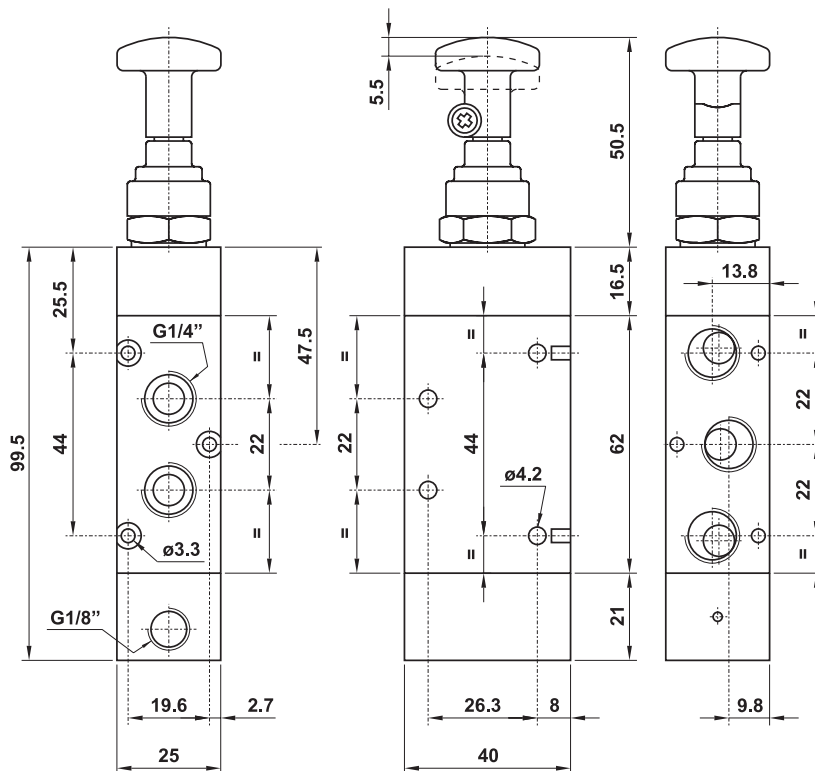
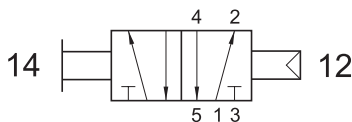
522 CT

5/2 1/4" tiretto sganciato - ritorno a comando pneumatico

5/2 1/4" push/pull with separate pneumatically piloted return

Dopo aver premuto il tiretto, il ritorno si effettua soltanto a comando pneumatico.

The return can be done only with pneumatic pilot signal.



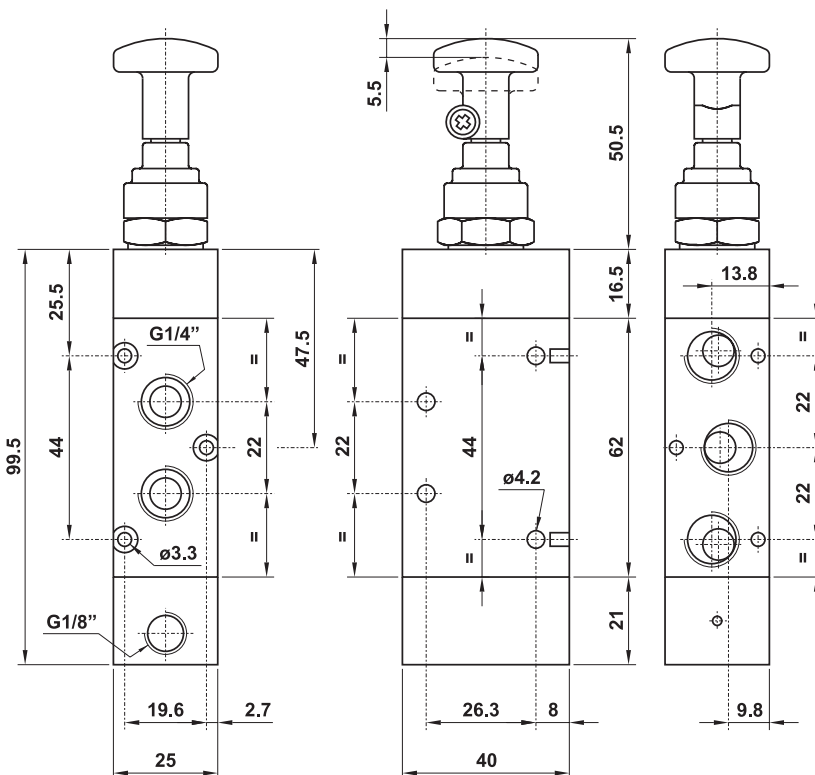
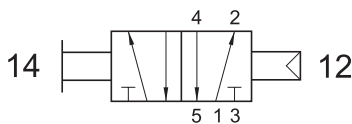
522 CTT

5/2 1/4" tiretto agganciato - ritorno a comando pneumatico

5/2 1/4" detented push/pull with separate pneumatically piloted return

Dopo aver premuto il tiretto, il ritorno può essere effettuato inviando un segnale pneumatico o tirando il tiretto.

The return can be done with pneumatic pilot signal or by pulling the knob.



valvole ad azionamento manuale

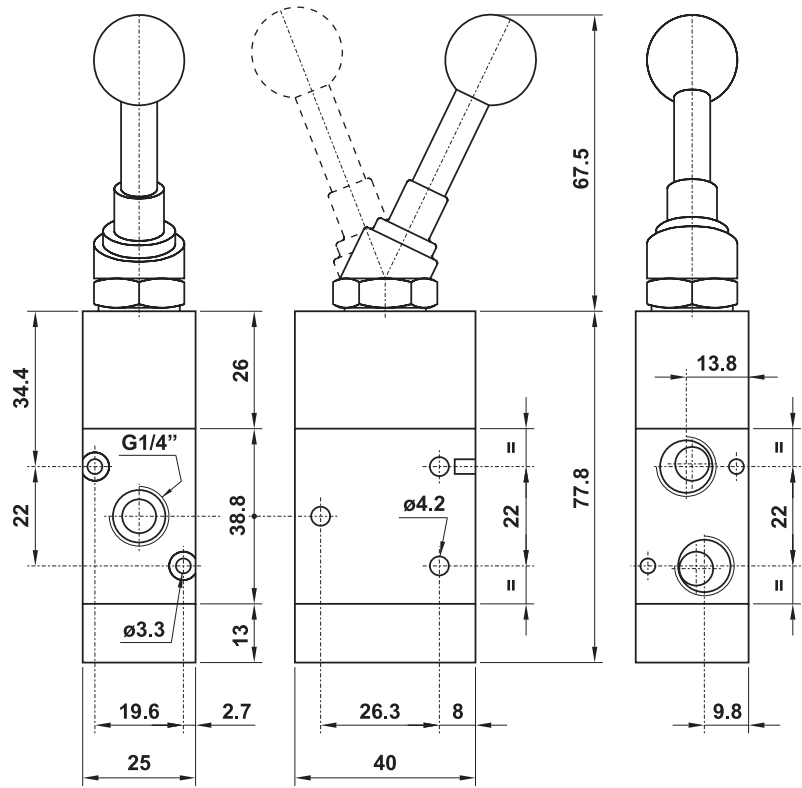
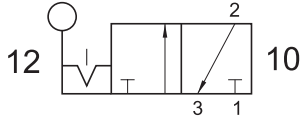
manually actuated valves



322 LL

3/2 1/4" leva in testa - bistabile

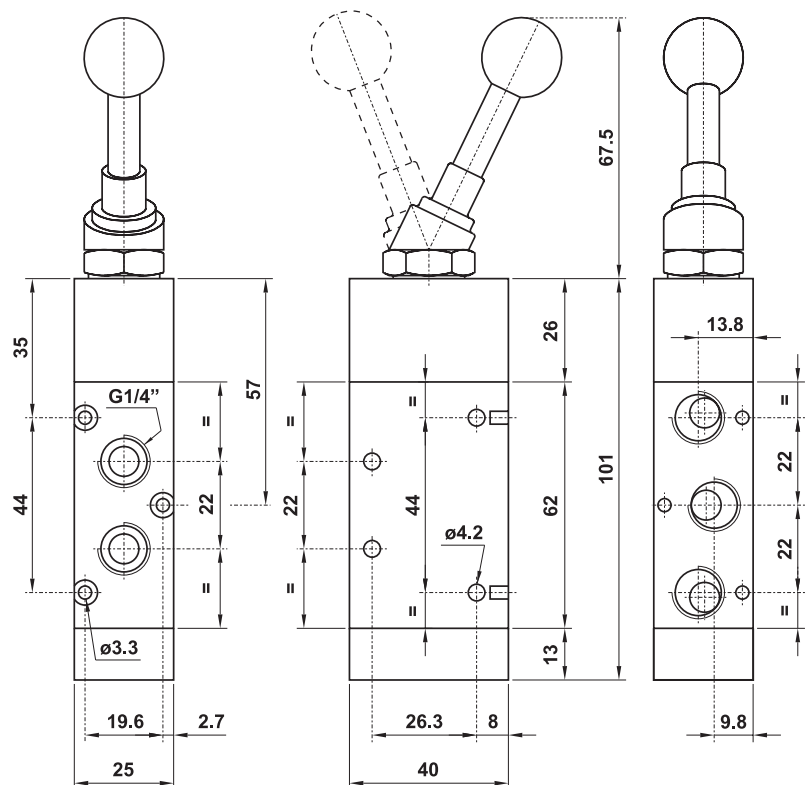
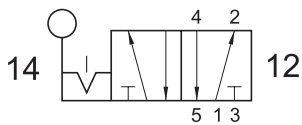
3/2 1/4" bi-stable top lever



522 LL

5/2 1/4" leva in testa - bistabile

5/2 1/4" bi-stable top lever



valvole ad azionamento manuale

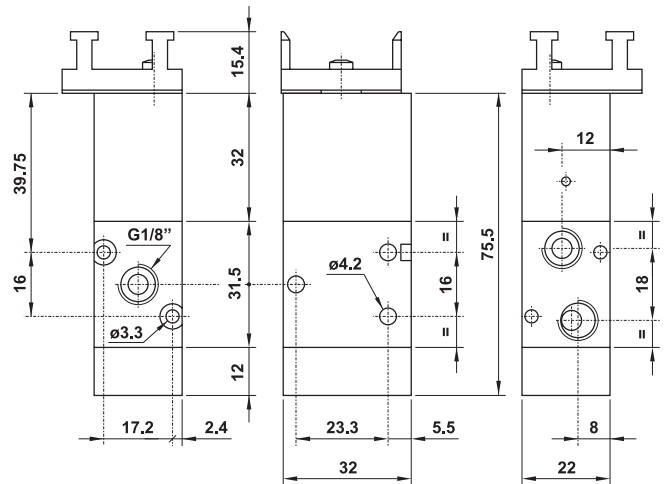
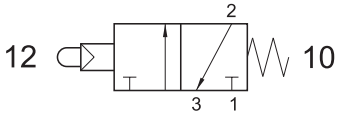
manually actuated valves



321 MB

3/2 1/8" NC pulsante servopilotato con interfaccia per attuatore a pannello - ritorno a molla

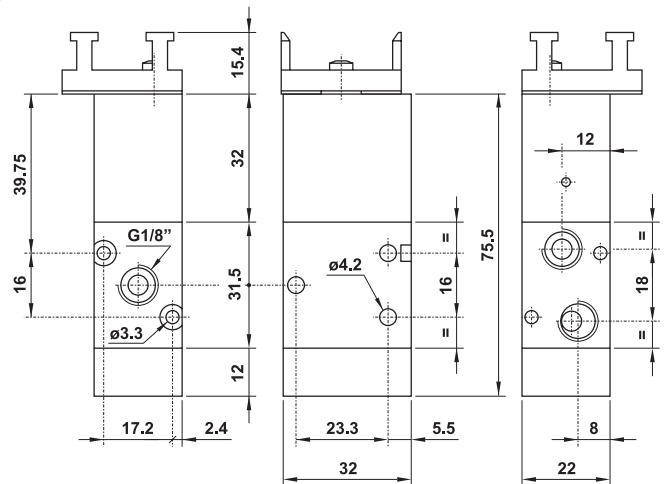
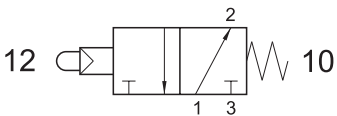
3/2 1/8" NC servo-piloted tappet with actuator adaptor for panel mounting - spring return



321 MBA

3/2 1/8" NA pulsante servopilotato con interfaccia per attuatore a pannello - ritorno a molla

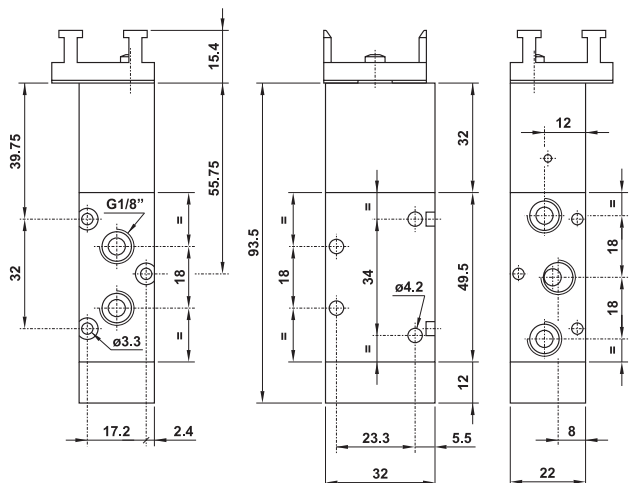
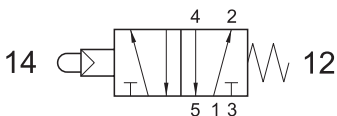
3/2 1/8" NO servo-piloted tappet with actuator adaptor for panel mounting - spring return



521 MB

5/2 1/8" pulsante servopilotato con interfaccia per attuatore a pannello - ritorno a molla

5/2 1/8" servo-piloted tappet with actuator adaptor for panel mounting - spring return



valvole ad azionamento manuale

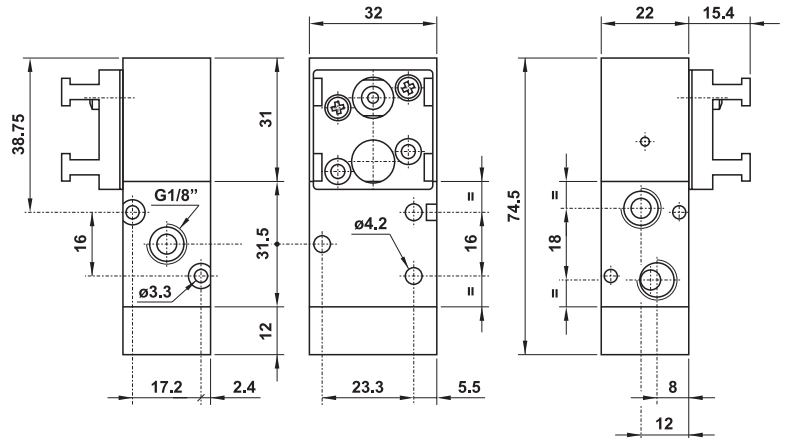
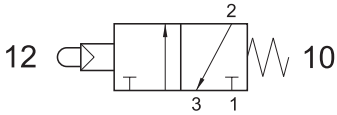
manually actuated valves



321 MB90

3/2 1/8" NC pulsante servopilotato 90° con interfaccia per attuatore a pannello - ritorno a molla

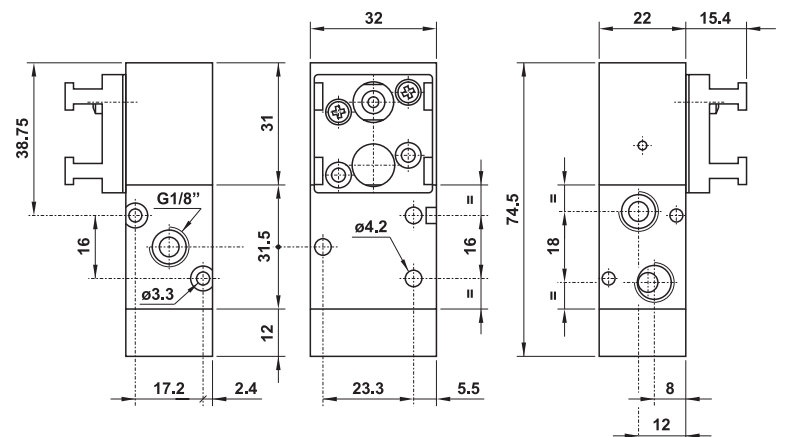
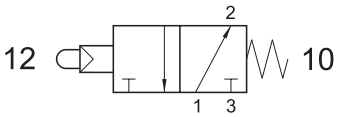
3/2 1/8" NC servo-piloted tappet with 90° actuator adaptor for panel mounting - spring return



321 MBA90

3/2 1/8" NA pulsante servopilotato 90° con interfaccia per attuatore a pannello - ritorno a molla

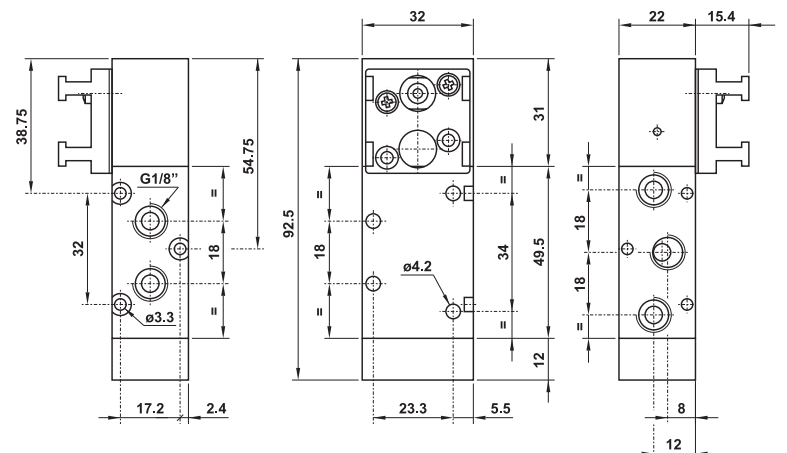
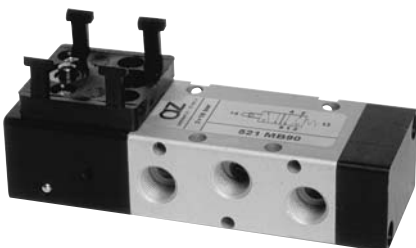
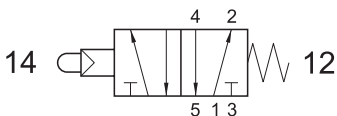
3/2 1/8" NO servo-piloted tappet with 90° actuator adaptor for panel mounting - spring return



521 MB90

5/2 1/8" pulsante servopilotato con interfaccia per attuatore a pannello - ritorno a molla

5/2 1/8" servo-piloted tappet with 90° actuator adaptor for panel mounting - spring return



valvole ad azionamento manuale

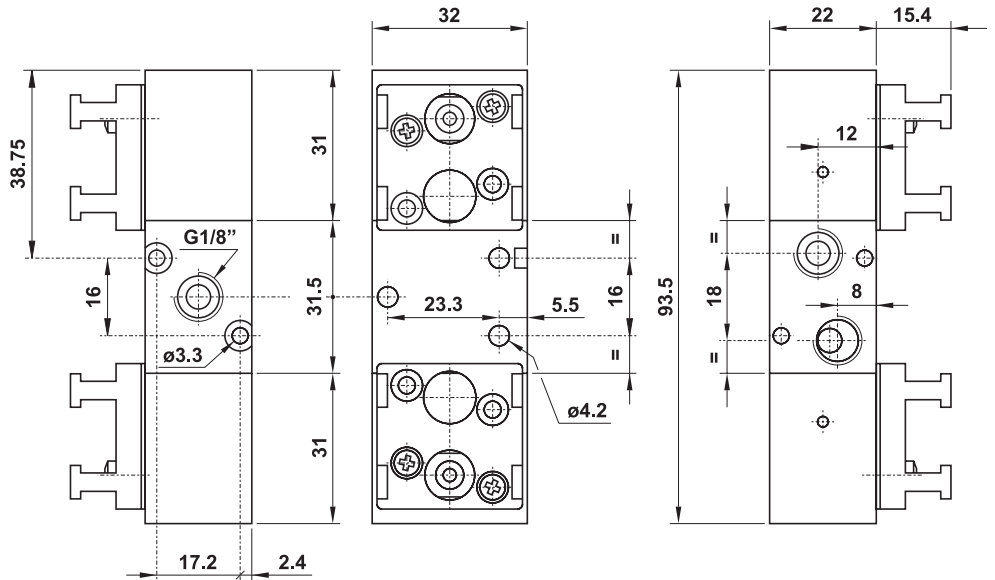
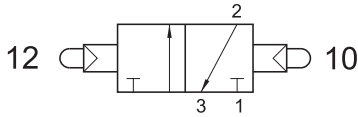
manually actuated valves



321 BB90

3/2 1/8" doppio pulsante servopilotato 90° con interfaccia per attuatore a pannello

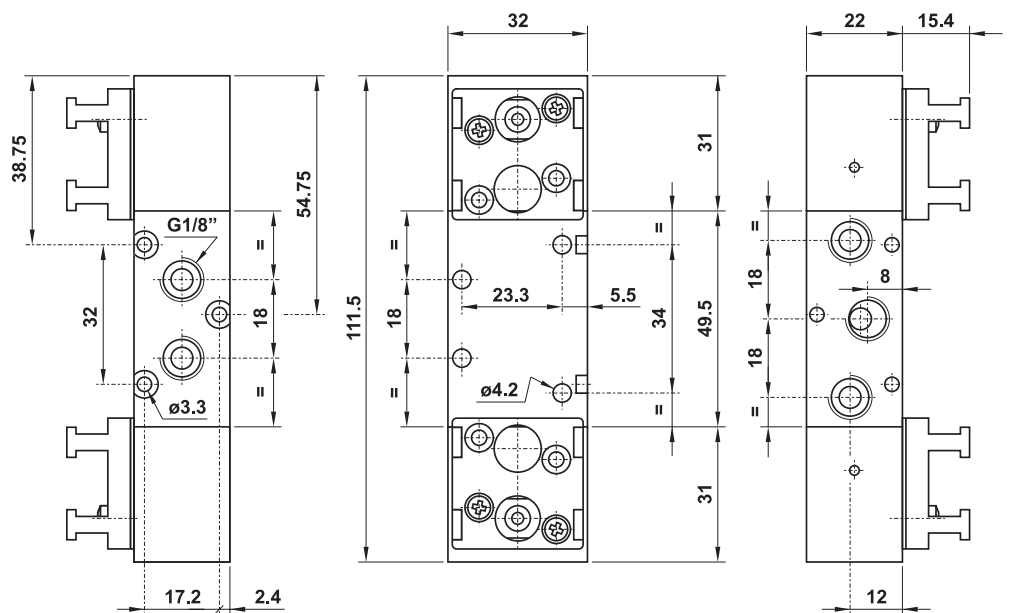
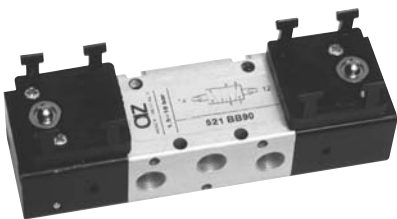
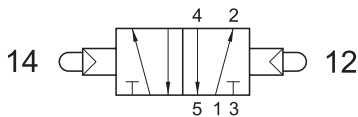
3/2 1/8" double servo-piloted tappet with 90° actuator adaptor for panel mounting



521 BB90

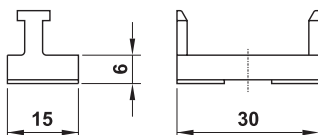
5/2 1/8" doppio pulsante servopilotato 90° con interfaccia per attuatore a pannello

5/2 1/8" double servo-piloted tappet with 90° actuator adaptor for panel mounting



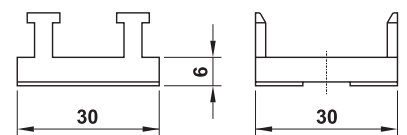
08.017.2

interfaccia singola per attuatore a pannello completa di viti
single adaptor for panel mounting actuator, complete with fixing screws



08.015.2

interfaccia doppia per attuatore a pannello completa di viti
double adaptor for panel mounting actuator, complete with fixing screws



attuatori da pannello

actuators for panel mounting



pulsante protetto protected push button

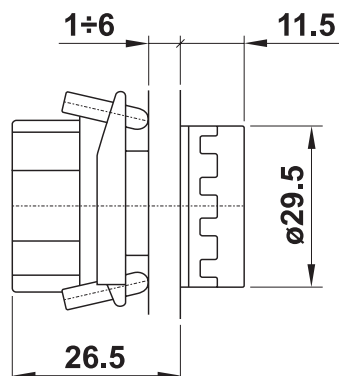
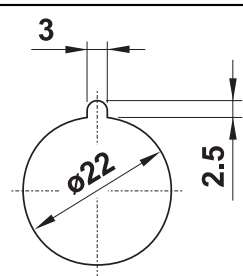
| codice code | colori standard standard colours |
|----------------|--|
| RM 010 | ROSSO, NERO e BIANCO (forniti assieme nel kit) red, black and white (supplied in kit) |

- I seguenti colori sono disponibili ordinandoli in aggiunta al kit standard
The following colours are available as an alternative and must be ordered separately

| codice code | colore colour |
|----------------|----------------------|
| P 22804 V | VERDE [green] |
| P 22804 G | GIALLO [yellow] |
| P 22804 A | AZZURRO [light blue] |
| P 22804 B | BIANCO [white] |

Foro per montaggio a pannello
con asola antirotazione

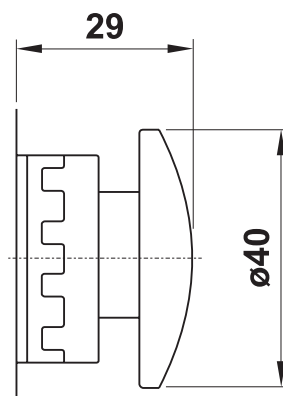
Panel mounting hole with antirotation
feature



fungo ø40

ø40 mushroom

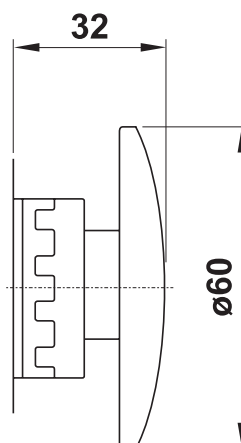
| codice code | descrizione description | colore colour |
|----------------|---|------------------|
| RM 050 R | monostabile assiale [axial mono-stable] | ROSSO [red] |
| RM 050 N | monostabile assiale [axial mono-stable] | NERO [black] |
| RM 055 R | oscillante [multi-directional] | ROSSO [red] |
| RM 055 N | oscillante [multi-directional] | NERO [black] |
| RM 065 R | sblocco a rotazione [turn to unlock] | ROSSO [red] |



fungo ø60

ø60 palm

| codice code | descrizione description | colore colour |
|----------------|--------------------------------------|------------------|
| RM 056 R | oscillante [multi-directional] | ROSSO [red] |
| RM 066 R | sblocco a rotazione [turn to unlock] | ROSSO [red] |



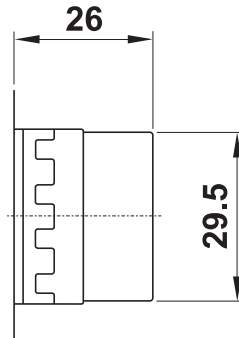
attuatori da pannello

actuators for panel mounting



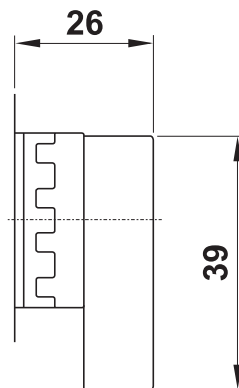
selettore leva corta short lever selector

| codice code | colore colour | funzione function |
|----------------|------------------|----------------------|
| RM 300 N | NERO black | 0 1 |
| RM 350 N | NERO black | 0 ← 1 |
| RM 313 N | NERO black | 2 0 1 |
| RM 383 N | NERO black | 2 → 0 ← 1 |



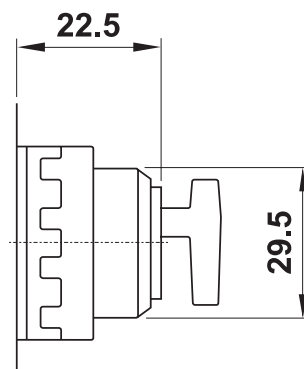
selettore leva lunga long lever selector

| codice code | colore colour | funzione function |
|----------------|------------------|----------------------|
| RM 400 N | NERO black | 0 1 |
| RM 450 N | NERO black | 0 ← 1 |
| RM 413 N | NERO black | 2 0 1 |
| RM 483 N | NERO black | 2 → 0 ← 1 |



selettore a chiave bistabile bi-stable key selector

| codice code |
|----------------|
| RM 200 N |

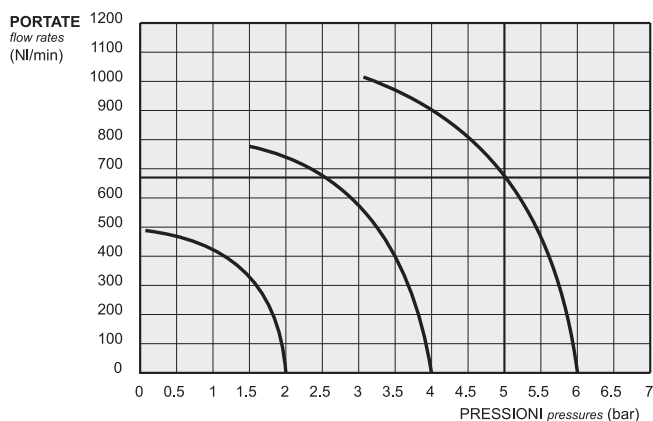


valvole a pedale

pedal valves



- Valvola a spola 5/2 - utilizzo come 3/2 o 2/2 tappando le altre connessioni
5/2 spool valve - it can be used as 3/2 or 2/2 by plugging the unused ports
- Attacchi filettati G1/4" sul corpo (raggruppati posteriormente)
G1/4" threaded ports
- Con o senza protezione (colore: giallo)
With or without yellow protection cover
- Monostabile e bistabile
Mono-stable and bi-stable
- Versione con microvalvola a 3 vie
Version with three way microvalve



Materiali

Corpo: alluminio 11S

Molle: INOX

Guarnizioni: NBR

Spola: alluminio nichelato

Parti interne: ottone OT58

Protezione: materiale plastico antiurto

Materials

Body: aluminium 11S

Spring: stainless steel

Seals: NBR

Spool: nickel plated aluminium

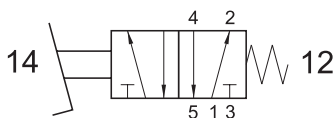
Internal parts: brass OT58

Protection cover: shock resistant plastic material

| | |
|--|---|
| Diametro nominale <i>Nominal orifice</i> | 7.5 mm |
| Attacchi <i>Ports</i> | G1/4" |
| Temperatura di esercizio <i>Temperature range</i> | max +60°C |
| Pressione di esercizio <i>Working pressure</i> | 2 ... 10 bar 0.2 ... 1 MPa |
| Fluido <i>Fluid</i> | Aria filtrata 50µ con o senza lubrificazione <i>50µ filtered, lubricated or non lubricated air</i> |

valvole a pedale

pedal valves



MONOSTABILE (mono-stable)

con protezione
with protection cover

senza protezione
without protection cover

PED 502 M

PEDS 502 M

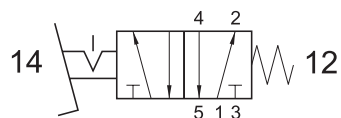
PED 502 S

CON FERMO DI SICUREZZA

Per azionare la valvola è necessario premere a fondo sul pedale, evitando così azionamenti accidentali.

WITH SAFETY FEATURE

To avoid accidental operation the pedal must be fully depressed.



BISTABILE (bi-stable)

con protezione
with protection cover

senza protezione
without protection cover

PED 502 B

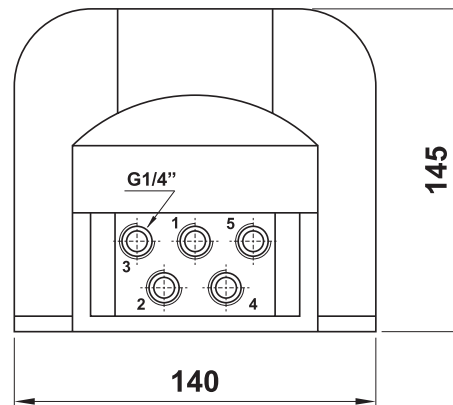
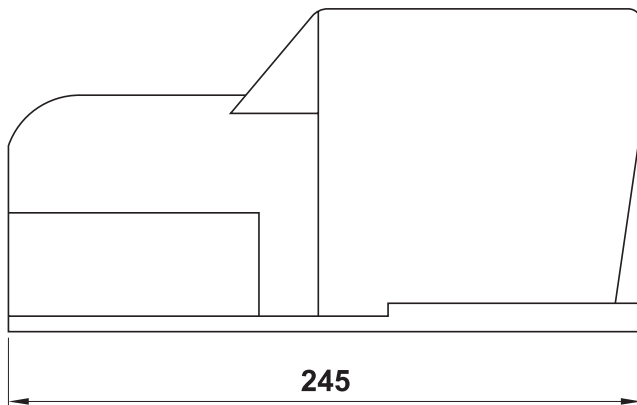
PEDS 502 B



PED 502 M

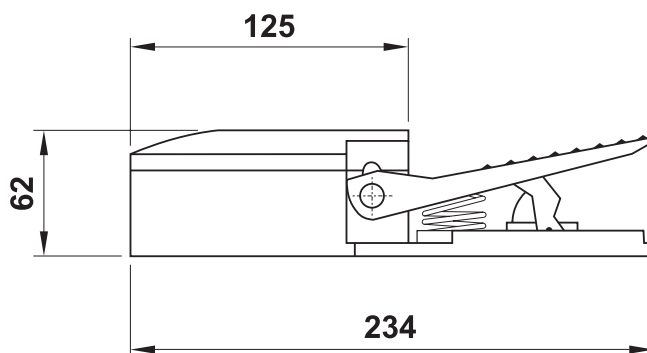
PED 502 S

PED 502 B



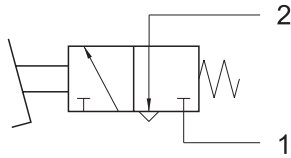
PEDS 502 M

PEDS 502 B



valvole a pedale

pedal valves



MONOSTABILE (mono-stable)

con microvalvola 3/2 NC e protezione
with 3/2 NC microvalve and protection cover

08.197.4

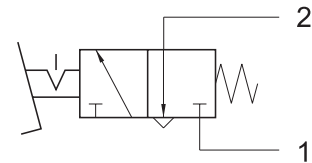
08.207.4

CON FERMO DI SICUREZZA

Per azionare la valvola è necessario premere a fondo sul pedale, evitando così azionamenti accidentali.

WITH SAFETY FEATURE

To avoid accidental operation the pedal must be fully depressed.



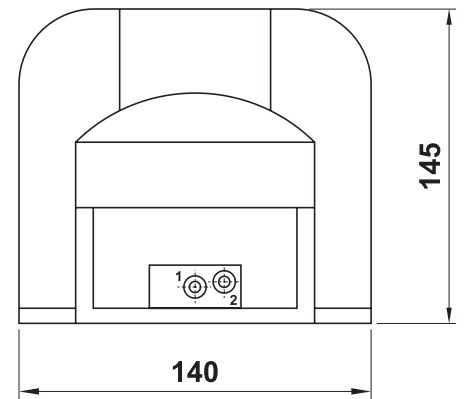
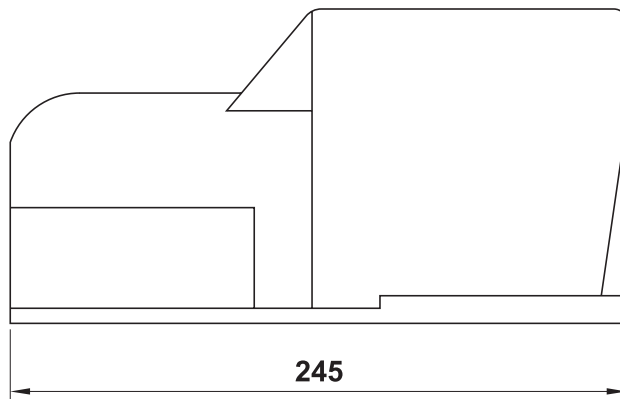
BISTABILE (bi-stable)

con microvalvola 3/2 NC e protezione
with 3/2 NC microvalve and protection cover

08.198.4



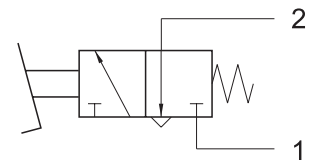
| | |
|--|--|
| Attacchi Ports | automatici per tubo $\varnothing 4$ $\varnothing 4$ push-in |
| Portata nominale a 6 bar Nominal flow rate at 6 bar | 100 NI/min |



monostabile con microvalvola 3/2 NC mono-stable with 3/2 NC microvalve

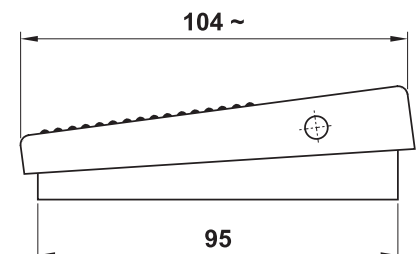
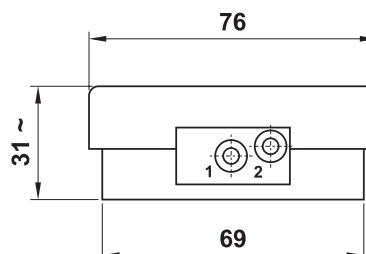
**CODICE DI ORDINAZIONE
ORDER CODE**

PED 304 M



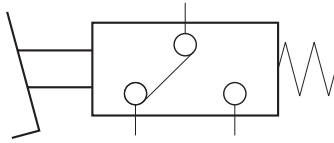
Involucro: materiale plastico antiurto
Pedal body: shock resistant plastic material

| | |
|--|--|
| Attacchi Ports | automatici per tubo $\varnothing 4$ $\varnothing 4$ push-in |
| Portata nominale a 6 bar Nominal flow rate at 6 bar | 100 NI/min |



valvole a pedale

pedal valves



MONOSTABILE (mono-stable)

contatti NC-NA; con coperchio di protezione
NC-NO electric contacts; with protection cover

01.087.0

01.088.0

CON FERMO DI SICUREZZA

Per azionare la valvola è necessario premere a fondo sul pedale, evitando così azionamenti accidentali.

WITH SAFETY FEATURE

To avoid accidental operation the pedal must be fully depressed.

PEDALE CON CONTATTO ELETTRICO

pedal with electric contact



| | |
|--|--|
| Durata (cicli) <i>Life time (cycles)</i> | 10.000.000 |
| Resistenza contatto <i>Contact resistance</i> | 25 mΩ |
| Grado di protezione elettrica <i>Electrical protection degree</i> | IP 54 |
| Contatti <i>Contacts</i> | 1 NA + 1 NC scatto rapido <i>1 NO + 1 NC rapid switch</i> |

potenza di impiego secondo IEC 337-1

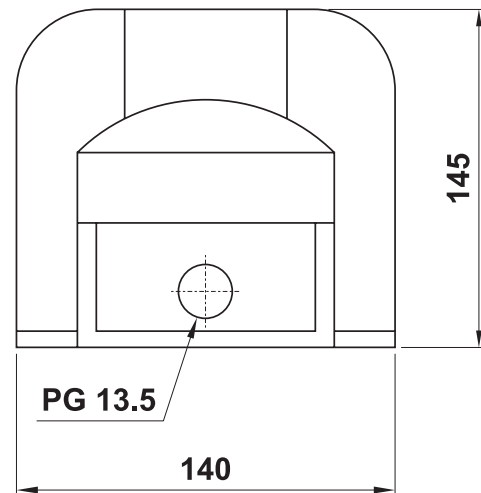
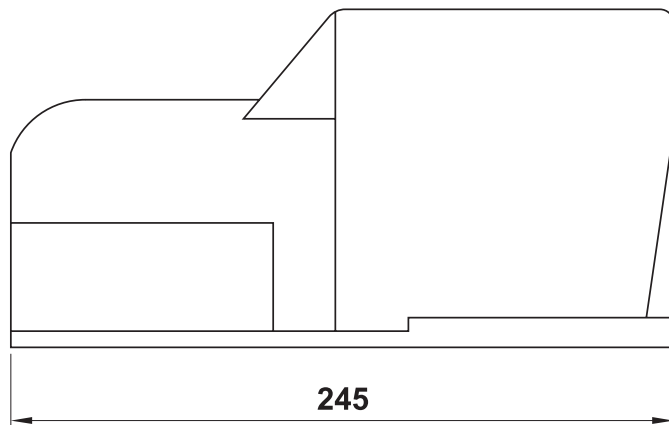
utilization power, according to IEC 337-1

DC

| | | |
|---|----|-----|
| V | 24 | 220 |
| A | 6 | 0.1 |

AC

| | | | | |
|---|----|-----|-----|-----|
| V | 24 | 220 | 380 | 500 |
| A | 10 | 10 | 8 | 6 |

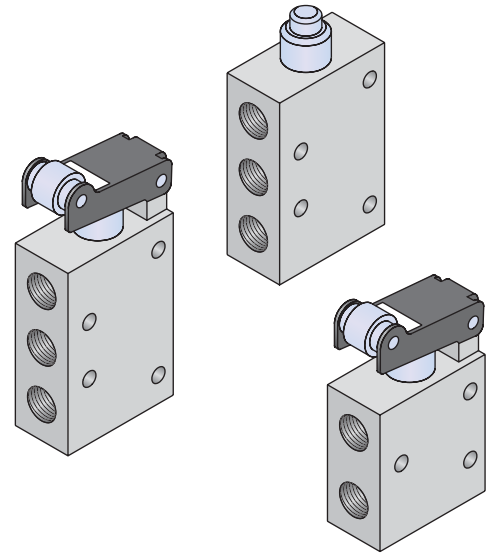


valvole 16 mm ad azion. meccanico e manuale

mechanically and manually actuated valves - 16 mm



- Valvole a spola 3/2-5/2 con attacchi filettati G1/8"
3/2-5/2 spool valves with G1/8" threaded ports
- Installazione in qualsiasi posizione
Installation in any position
- Azionamento diretto monostabile
Mono-stable direct actuation



Materiali

Corpo: alluminio 11S

Molle: INOX

Guarnizioni: NBR

Spola: alluminio nichelato

Parti interne: ottone OT58

Materials

Body: aluminium 11S

Springs: stainless steel

Seals: NBR

Spool: nickel plated aluminium

Internal parts: brass OT58

| | |
|--|---|
| Diametro nominale <i>Nominal orifice</i> | 4 mm |
| Portata nominale a 6 bar, Δp 1 bar <i>Nominal flow rate at 6 bar, Δp 1 bar</i> | 350 NI/min |
| Temperatura di esercizio <i>Temperature range</i> | max +60°C |
| Forza di azionamento <i>Actuating force</i> | Vedi pagine seguenti <i>See following pages</i> |
| Pressione di esercizio <i>Working pressure</i> | max 10 bar max 1 MPa |
| Fluido <i>Fluid</i> | Aria filtrata 50 μ con o senza lubrificazione <i>50μ filtered, lubricated or non lubricated air</i> |

valvole 16 mm ad azion. meccanico e manuale

mechanically and manually actuated valves - 16 mm



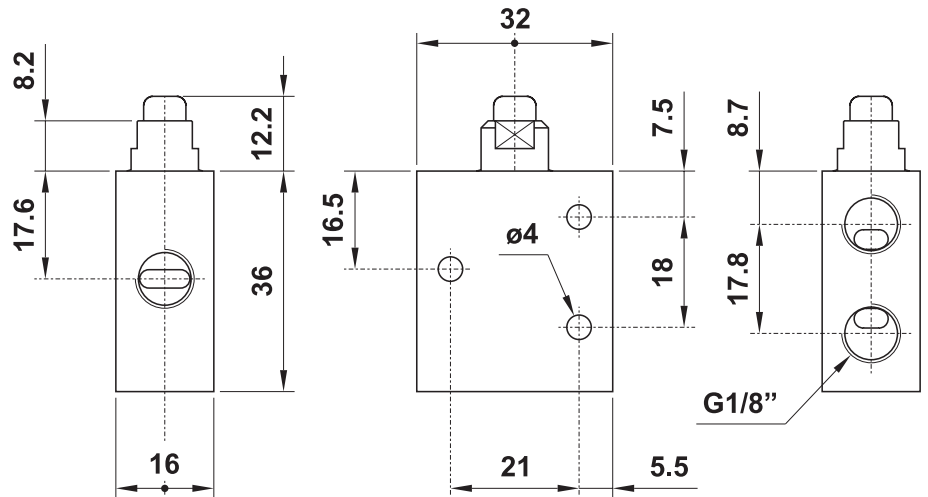
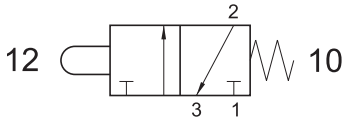
431 MP

3/2 1/8" puntale - ritorno a molla

3/2 1/8" tappet - spring return

Forza di azionamento: 19.61 N

Actuating force: 19.61 N



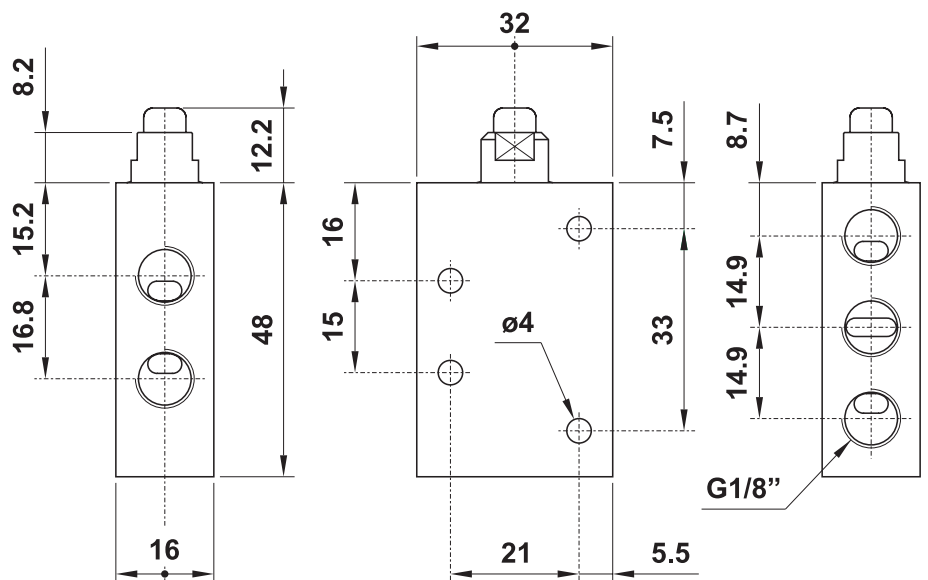
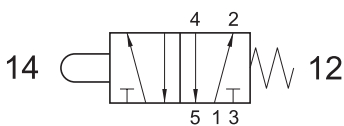
451 MP

5/2 1/8" puntale - ritorno a molla

5/2 1/8" tappet - spring return

Forza di azionamento: 39.22 N

Actuating force: 39.22 N



valvole 16 mm ad azion. meccanico e manuale

mechanically and manually actuated valves - 16 mm



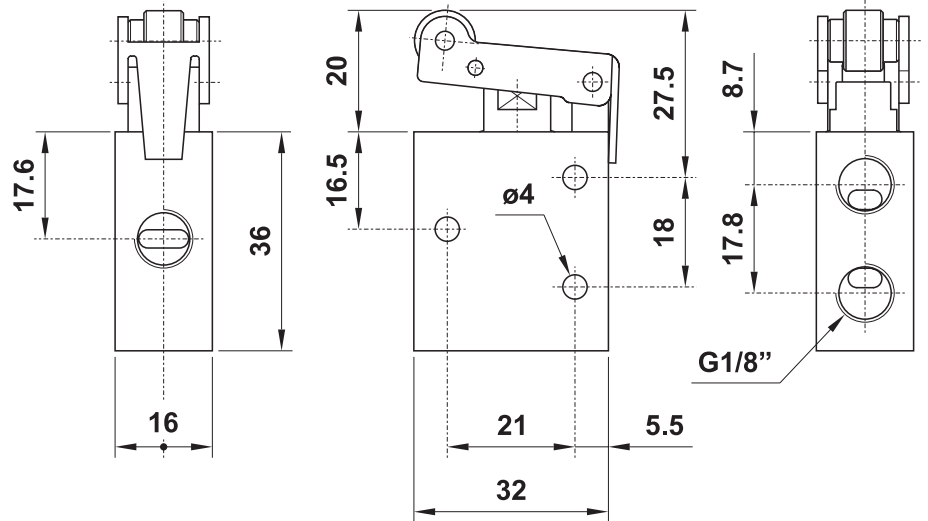
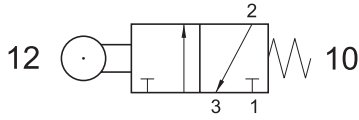
431 MR

3/2 1/8" leva rullo corta - ritorno a molla

3/2 1/8" short roller lever - spring return

Forza di azionamento: 9.81 N

Actuating force: 9.81 N



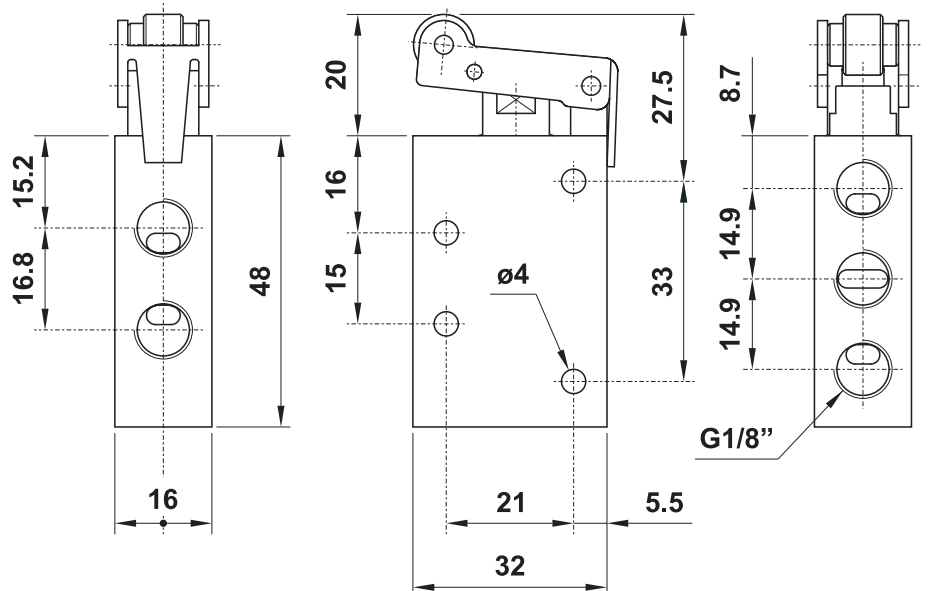
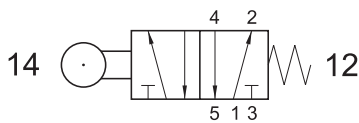
451 MR

5/2 1/8" leva rullo corta - ritorno a molla

5/2 1/8" short roller lever - spring return

Forza di azionamento: 21.57 N

Actuating force: 21.57 N



valvole 16 mm ad azion. meccanico e manuale

mechanically and manually actuated valves - 16 mm



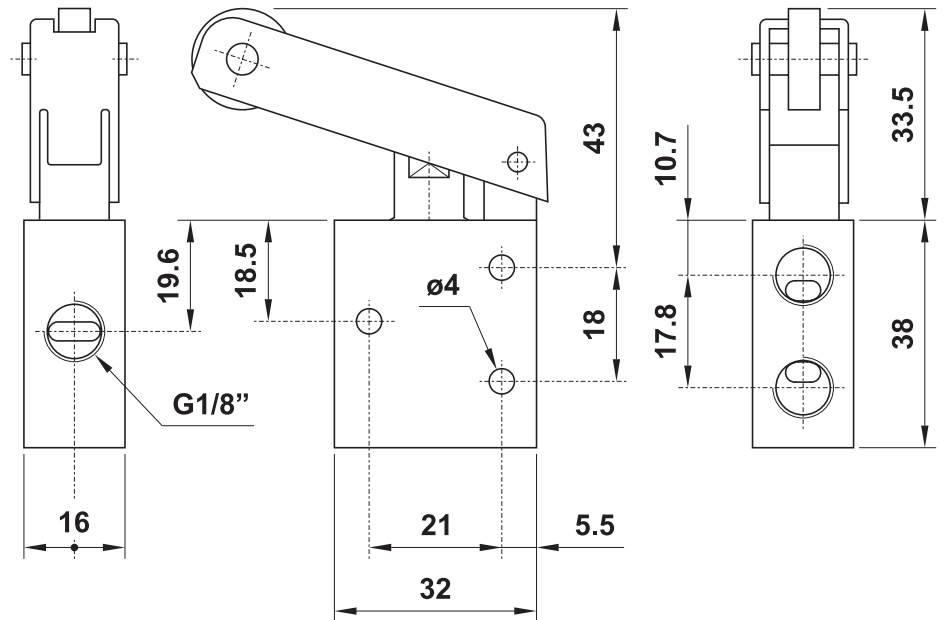
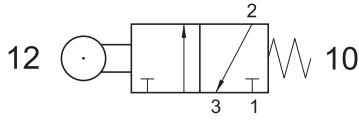
431 MRL

3/2 1/8" leva rullo lunga - ritorno a molla

3/2 1/8" long roller lever - spring return

Forza di azionamento: 8.33 N

Actuating force: 8.33 N



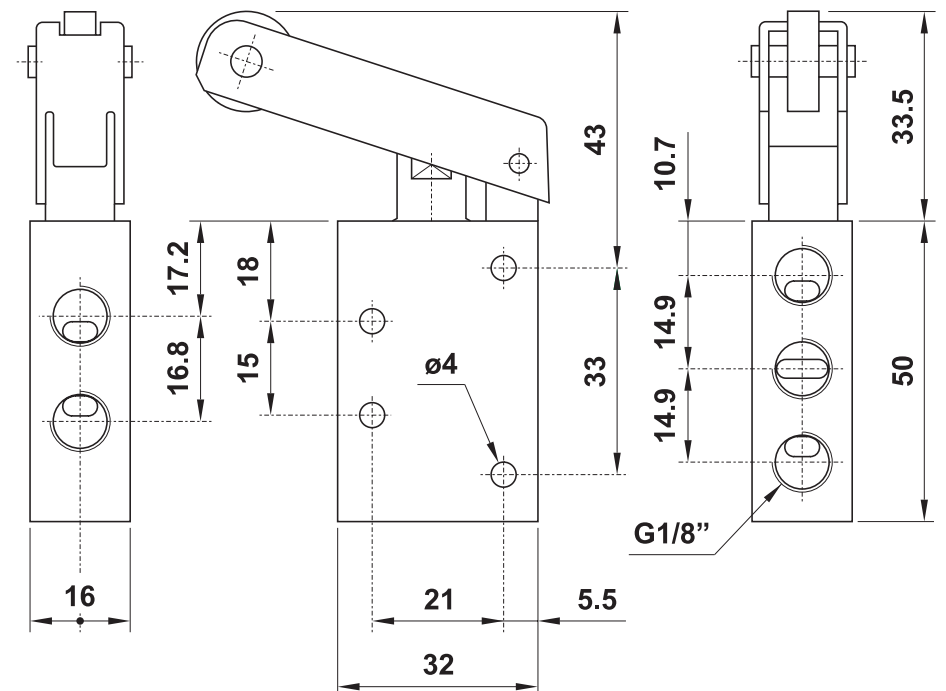
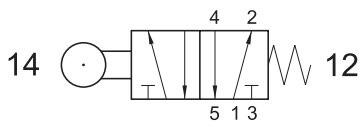
451 MRL

5/2 1/8" leva rullo lunga - ritorno a molla

5/2 1/8" long roller lever - spring return

Forza di azionamento: 14.21 N

Actuating force: 14.21 N



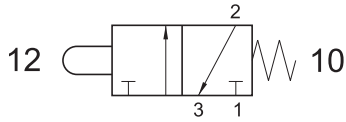
valvole 16 mm ad azion. meccanico e manuale

mechanically and manually actuated valves - 16 mm



431 MGx

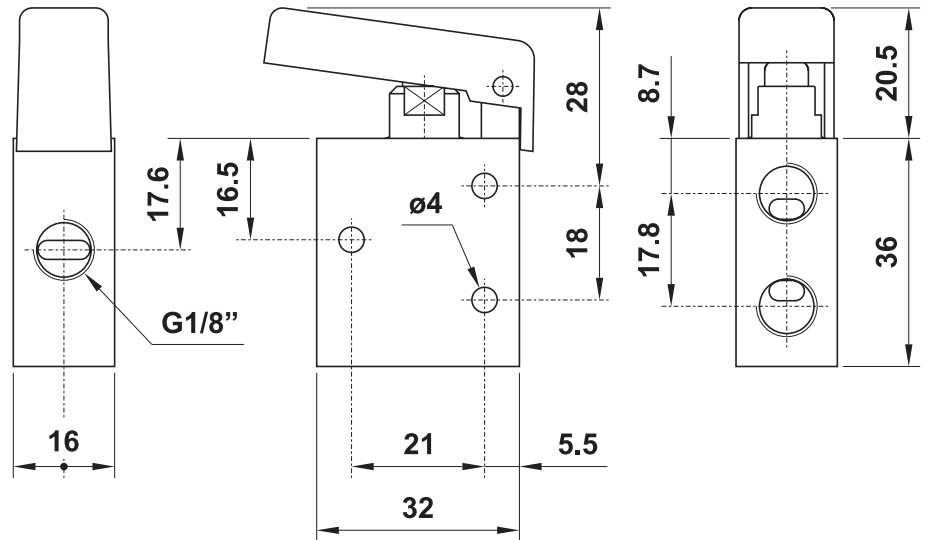
3/2 1/8" tasto (4 colori: vedi schema) - ritorno a molla
 3/2 1/8" push button (4 colours: see explanation) - spring return



Nella sigla del prodotto sostituire la lettera "x" con l'indicazione del colore del tasto.
 In the part number replace the letter "x" with the colour reference of the push button.

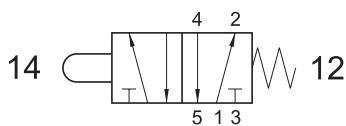
| | |
|-----------------|----------|
| ROSSO - red | R |
| GIALLO - yellow | G |
| VERDE - green | V |
| NERO - black | N |

Forza di azionamento: 7.84 N
 Actuating force: 7.84 N



451 MGx

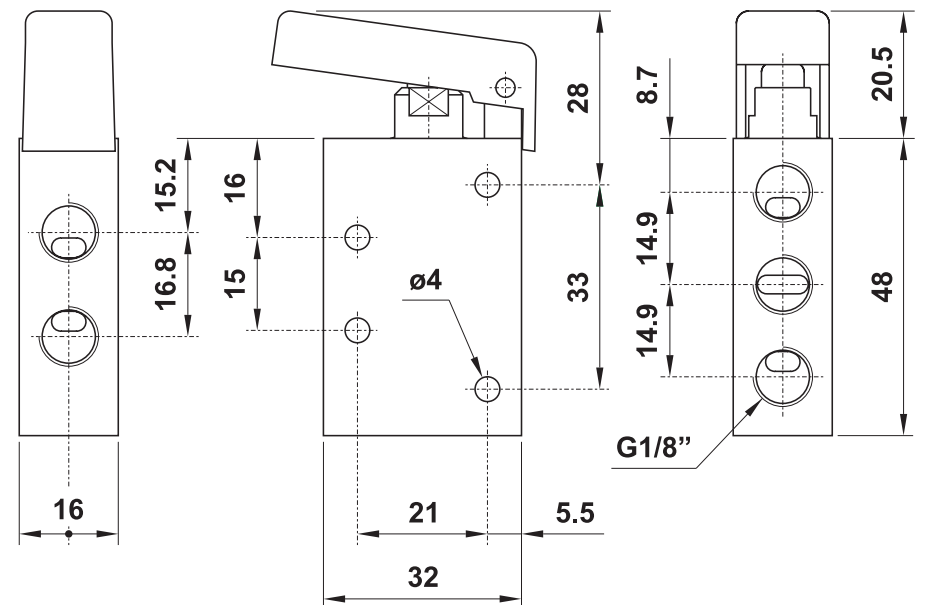
5/2 1/8" tasto (4 colori: vedi schema) - ritorno a molla
 5/2 1/8" push button (4 colours: see explanation) - spring return



Nella sigla del prodotto sostituire la lettera "x" con l'indicazione del colore del tasto.
 In the part number replace the letter "x" with the colour reference of the push button.

| | |
|-----------------|----------|
| ROSSO - red | R |
| GIALLO - yellow | G |
| VERDE - green | V |
| NERO - black | N |

Forza di azionamento: 13.73 N
 Actuating force: 13.73 N

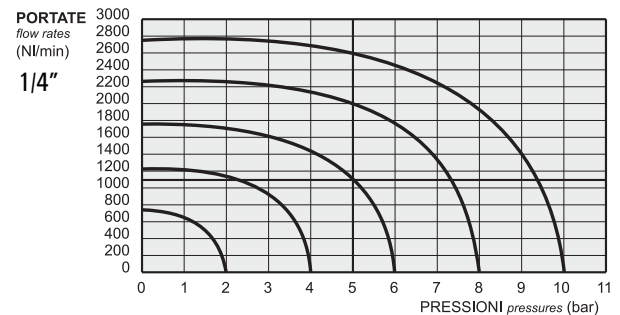
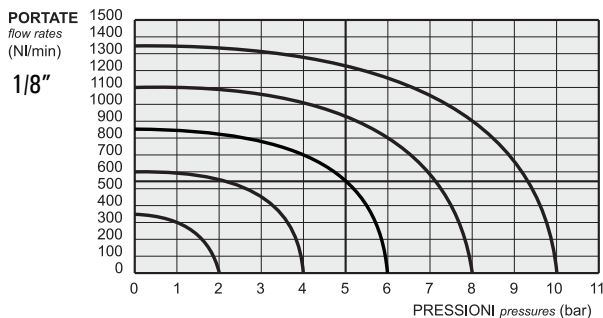


valvole ad azionamento pneumatico

pneumatically piloted valves



- Valvole a spola 3/2-5/2-5/3 con attacchi filettati G1/8"-G1/4"
3/2-5/2-5/3 spool valves with G1/8"-G1/4" threaded ports
- Montaggio in linea, su collettori multipli o su basi manifold
Installation in-line, gang or manifold mounted
- Ampia gamma di azionamenti
Comprehensive range of actuations
- Versioni con elemento logico integrato
Versions with integrated logic element
- Esecuzioni speciali a richiesta
Special versions on request



Tempi di risposta - response times

| | 1/8" | 1/4" |
|-----------------------------------|-----------------------------------|-----------------------------------|
| monostabile <i>mono-stable</i> | TRA (14): 6 ms TRR (12): 15 ms | TRA (14): 7 ms TRR (12): 15 ms |
| bistabile <i>bi-stable</i> | TRA (14): 7 ms TRR (12): 7 ms | TRA (14): 7 ms TRR (12): 7 ms |

Materiali

Corpo: alluminio 11S

Molle: INOX

Guarnizioni: NBR

Spola: alluminio nichelato

Parti interne: ottone OT58

Materials

Body: aluminium 11S

Springs: stainless steel

Seals: NBR

Spool: nickel plated aluminium

Internal parts: brass OT58

| | | |
|---|---|-------------------------------|
| Diametro nominale <i>Nominal orifice</i> | 1/8": 5 mm 1/4": 7.5 mm | |
| Temperatura di esercizio <i>Temperature range</i> | max +60°C | |
| Pressione di esercizio <i>Working pressure</i> | max 10 bar max 1 MPa | |
| Pressione di azionamento <i>Actuating pressure</i> | monostabile [mono-stable] | bistabile [bi-stable] |
| | 2.5 ... 10 bar 0.25 ... 1 MPa | 1 ... 10 bar 0.1 ... 1 MPa |
| Fluido <i>Fluid</i> | Aria filtrata 50µ con o senza lubrificazione <i>50µ filtered, lubricated or non lubricated air</i> | |

valvole ad azionamento pneumatico

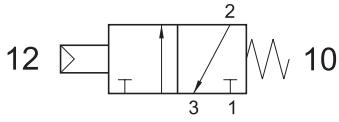
pneumatically piloted valves



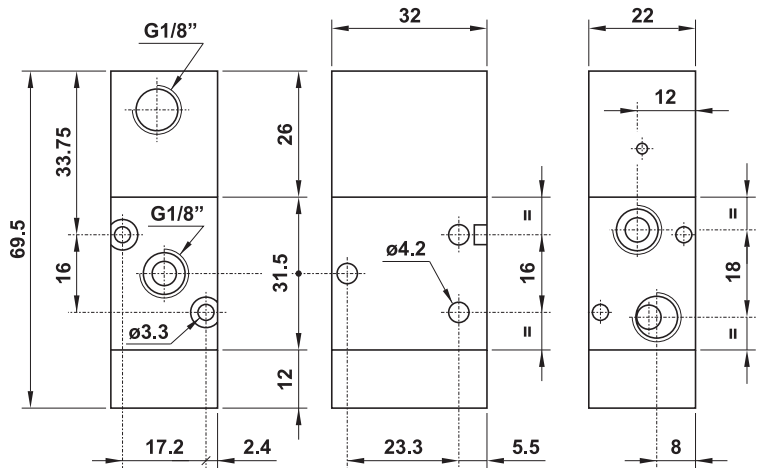
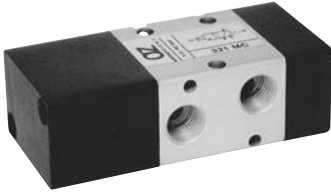
321 MC

3/2 1/8" NC comando pneumatico - ritorno a molla

3/2 1/8" NC pneumatic pilot - spring return



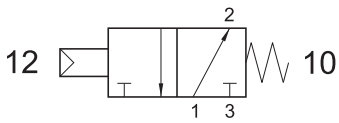
Non può essere utilizzata come valvola normalmente aperta.
It cannot be used as normally open valve.



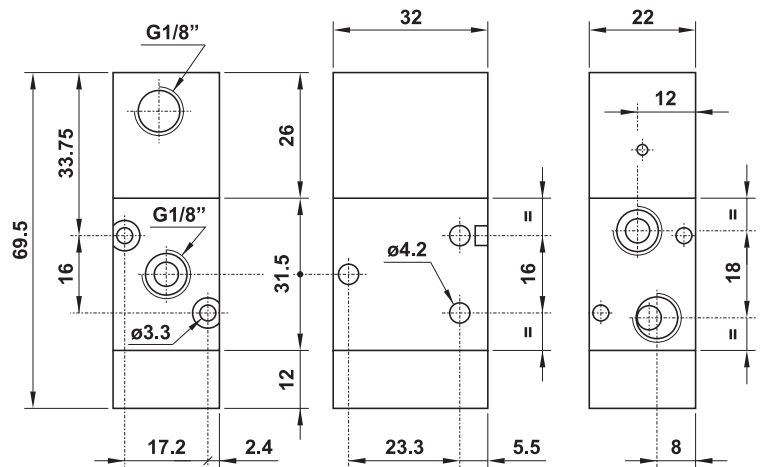
321 MCA

3/2 1/8" NA comando pneumatico - ritorno a molla

3/2 1/8" NO pneumatic pilot - spring return



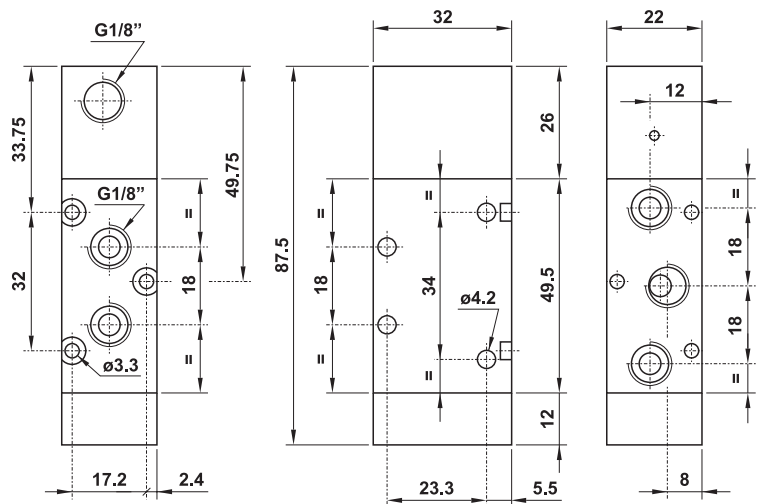
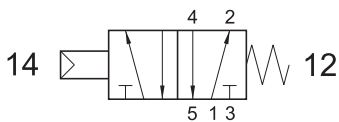
Non può essere utilizzata come valvola normalmente chiusa.
It cannot be used as normally closed valve.



521 MC

5/2 1/8" comando pneumatico - ritorno a molla

5/2 1/8" pneumatic pilot - spring return



valvole ad azionamento pneumatico

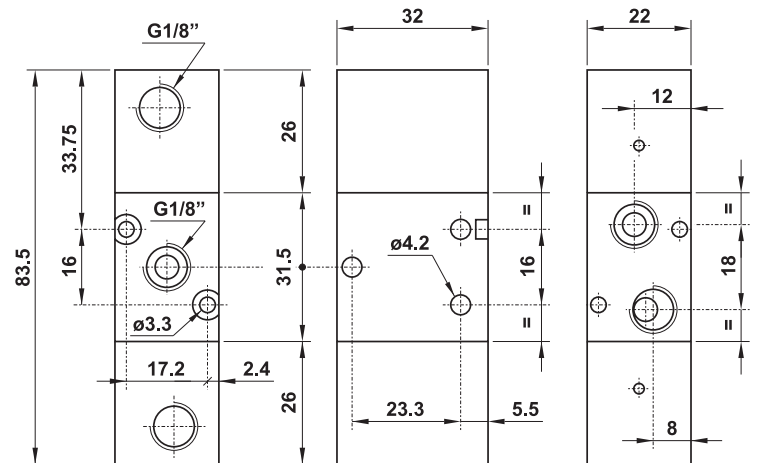
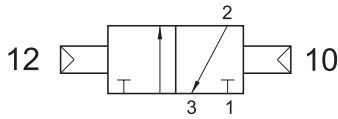
pneumatically piloted valves



321 CC

3/2 1/8" doppio comando pneumatico

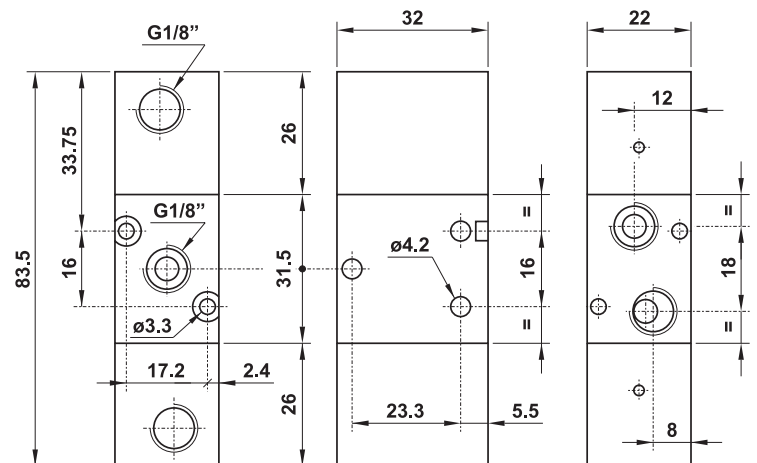
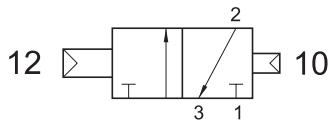
3/2 1/8" double pneumatic pilot



321 CCD

3/2 1/8" doppio comando pneumatico - con differenziale

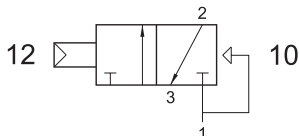
3/2 1/8" double pneumatic pilot - with differential



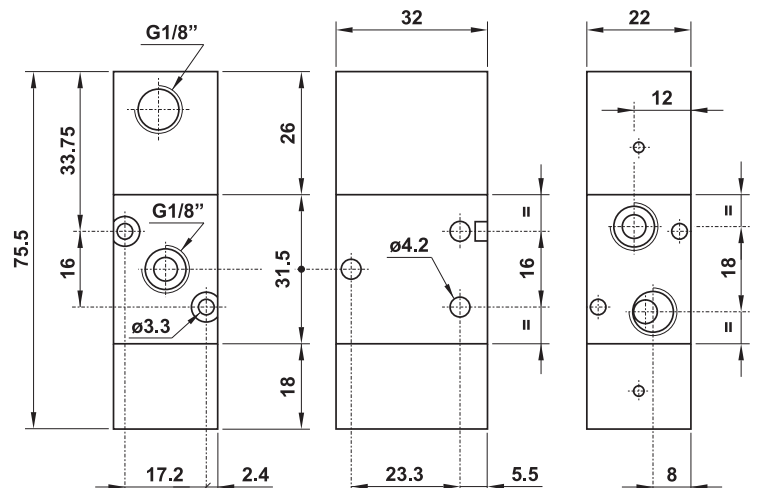
321 CFP

3/2 1/8" NC comando pneumatico - ritorno a molla pneumatica

3/2 1/8" NC pneumatic pilot - pneumatic spring return



Non può essere utilizzata come valvola normalmente aperta.
It cannot be used as normally open valve.



valvole ad azionamento pneumatico

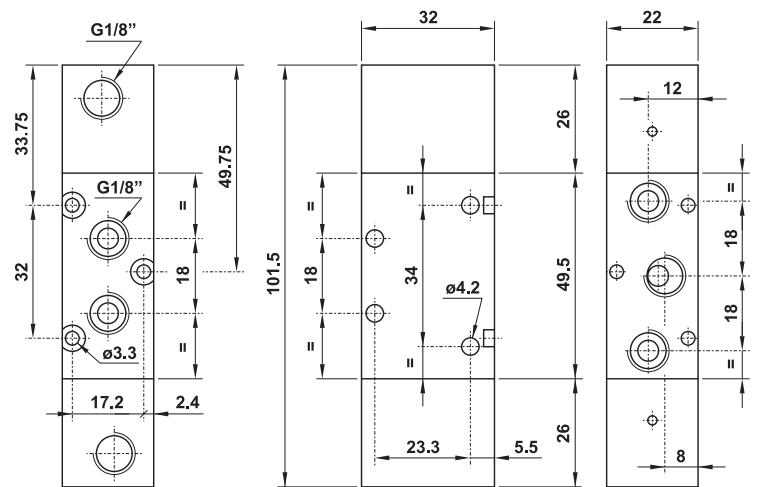
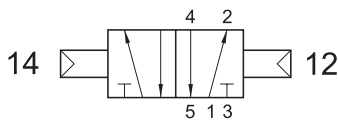
pneumatically piloted valves



521 CC

5/2 1/8" doppio comando pneumatico

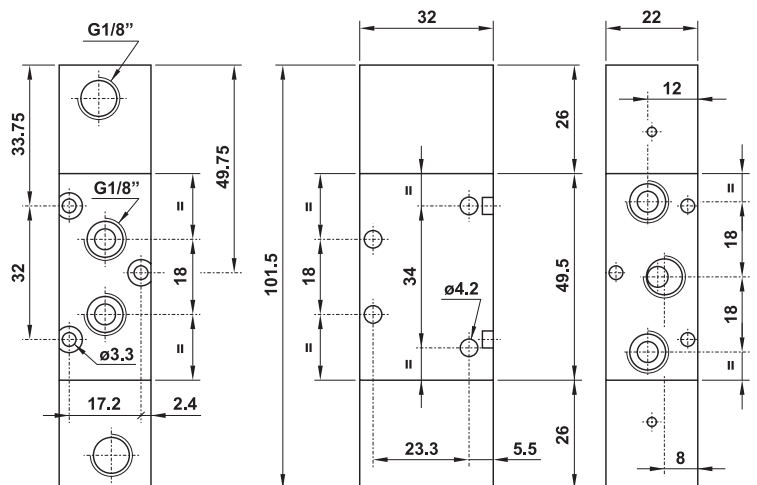
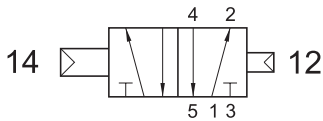
5/2 1/8" double pneumatic pilot



521 CCD

5/2 1/8" doppio comando pneumatico - con differenziale

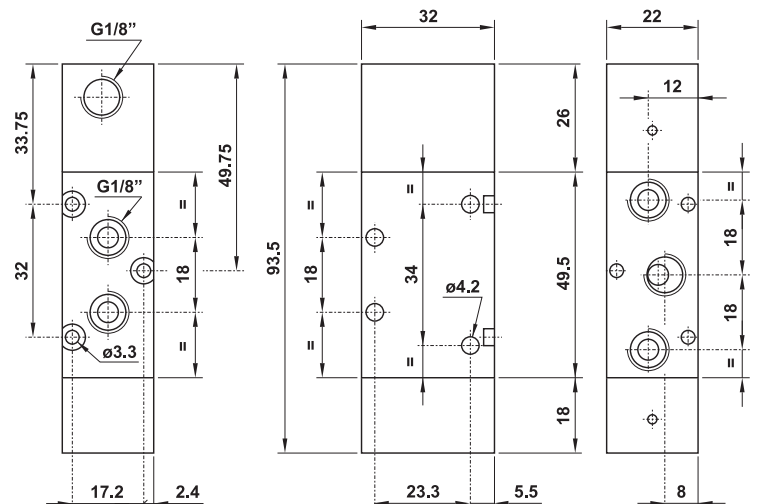
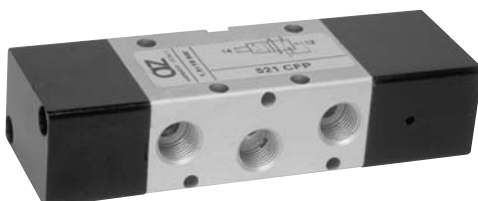
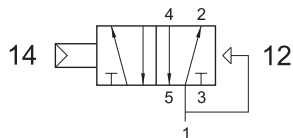
5/2 1/8" double pneumatic pilot - with differential



521 CFP

5/2 1/8" comando pneumatico - ritorno a molla pneumatica

5/2 1/8" pneumatic pilot - pneumatic spring return



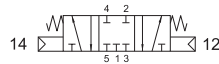
valvole ad azionamento pneumatico

pneumatically piloted valves



5213C CC

centri chiusi
closed centres



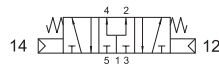
5213A CC

centri aperti
open centres



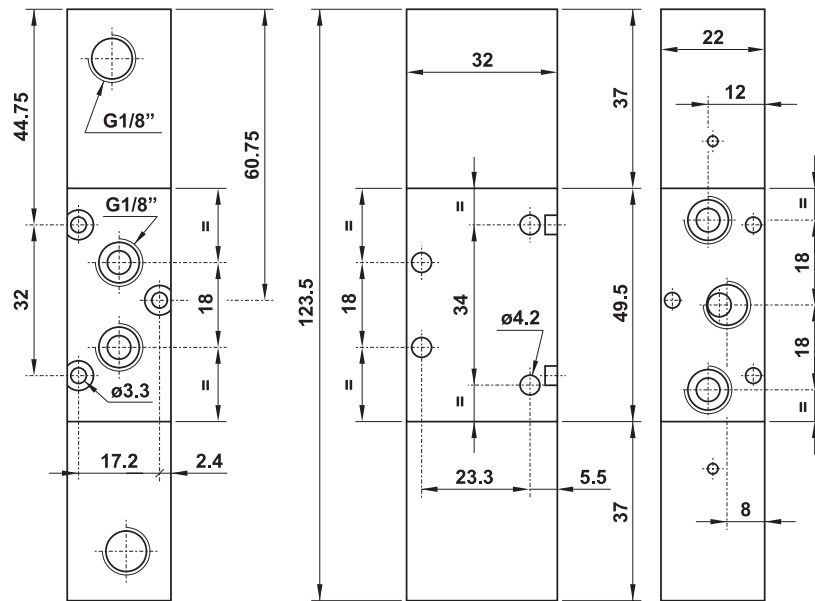
5213P CC

centri in pressione
pressurized centres



5/3 1/8" doppio comando pneumatico

5/3 1/8" double pneumatic pilot



5223C CC

centri chiusi
closed centres



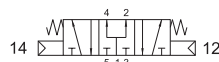
5223A CC

centri aperti
open centres



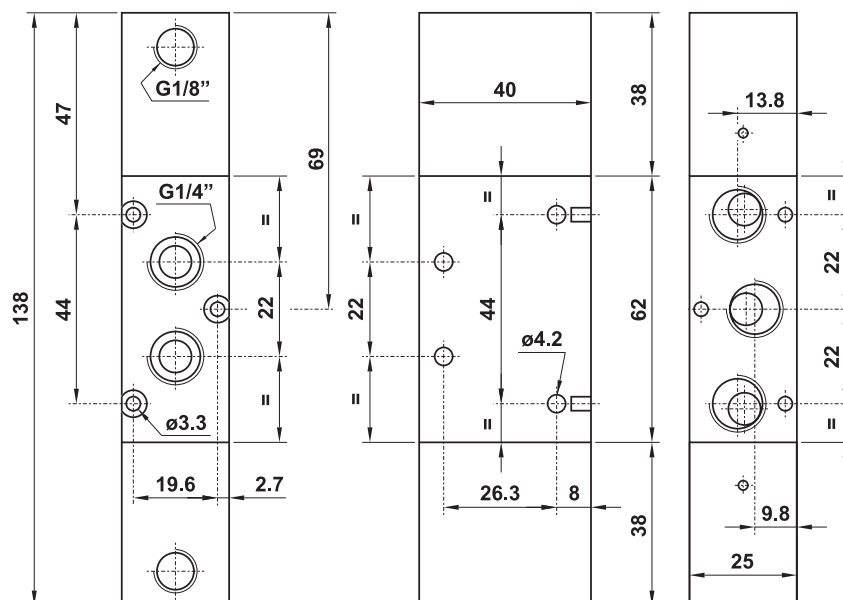
5223P CC

centri in pressione
pressurized centres



5/3 1/4" doppio comando pneumatico

5/3 1/4" double pneumatic pilot



valvole ad azionamento pneumatico

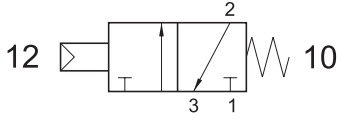
pneumatically piloted valves



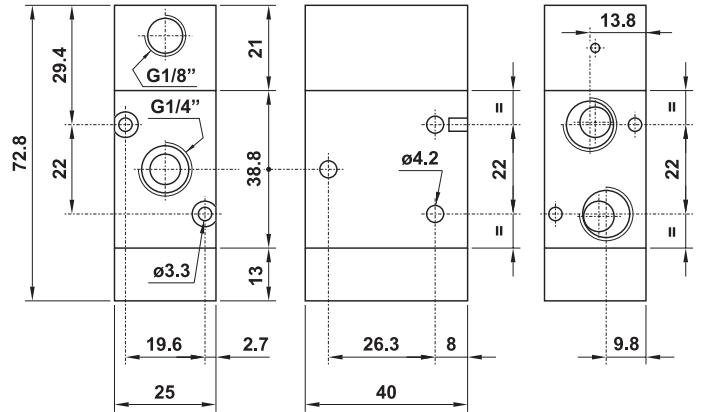
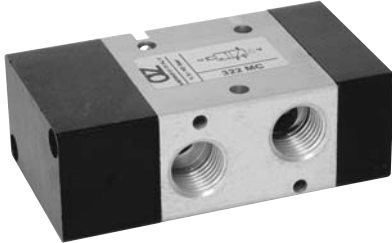
322 MC

3/2 1/4" NC comando pneumatico - ritorno a molla

3/2 1/4" NC pneumatic pilot - spring return



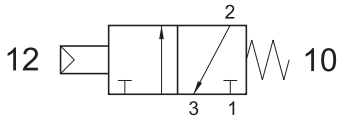
Non può essere utilizzata come valvola normalmente aperta.
It cannot be used as normally open valve.



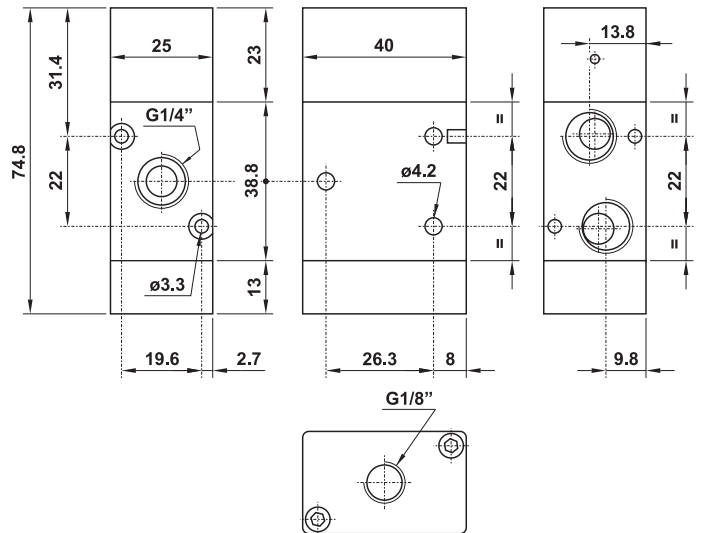
322 MC SUP

3/2 1/4" NC comando pneumatico attacco superiore - ritorno a molla

3/2 1/4" NC pneumatic pilot on the top - spring return



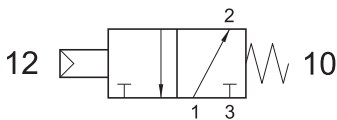
Non può essere utilizzata come valvola normalmente aperta.
It cannot be used as normally open valve.



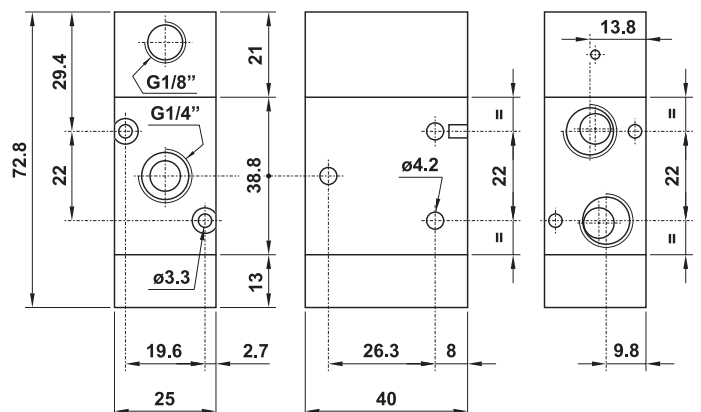
322 MCA

3/2 1/4" NA comando pneumatico - ritorno a molla

3/2 1/4" NO pneumatic pilot - spring return



Non può essere utilizzata come valvola normalmente chiusa.
It cannot be used as normally closed valve.



valvole ad azionamento pneumatico

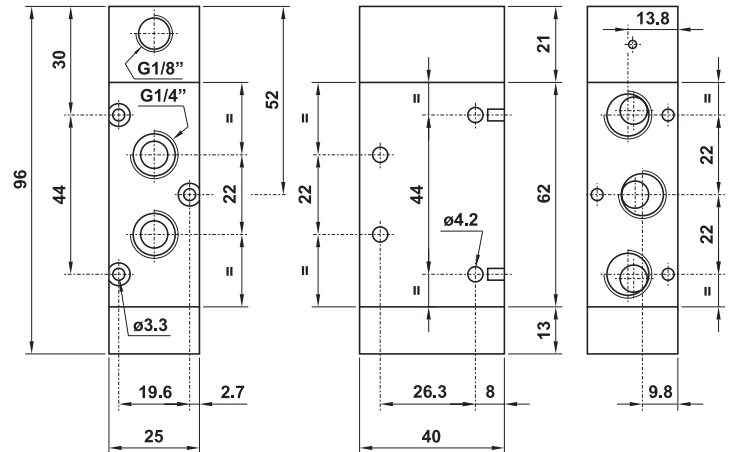
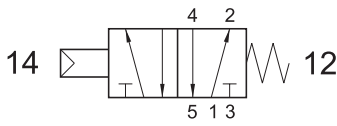
pneumatically piloted valves



522 MC

5/2 1/4" comando pneumatico - ritorno a molla

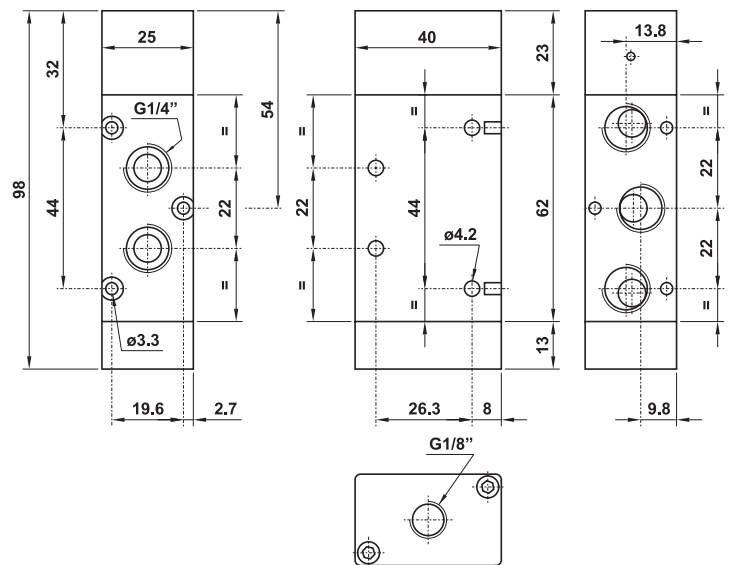
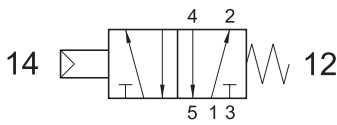
5/2 1/4" pneumatic pilot - spring return



522 MC SUP

5/2 1/4" comando pneumatico attacco superiore - ritorno a molla

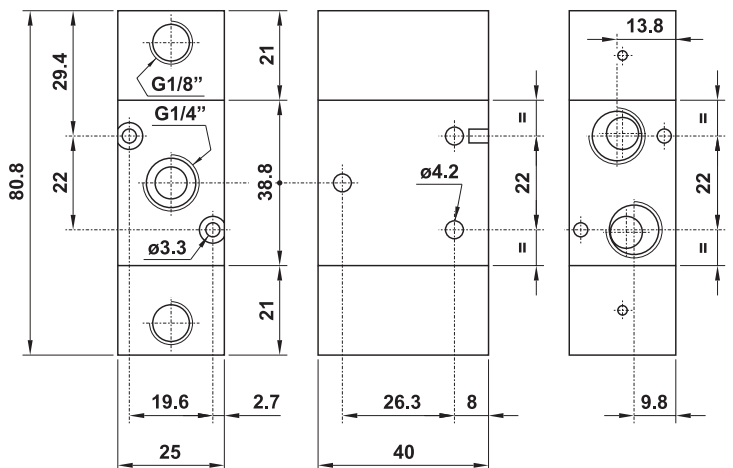
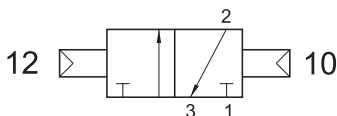
5/2 1/4" pneumatic pilot on the top - spring return



322 CC

3/2 1/4" doppio comando pneumatico

3/2 1/4" double pneumatic pilot



valvole ad azionamento pneumatico

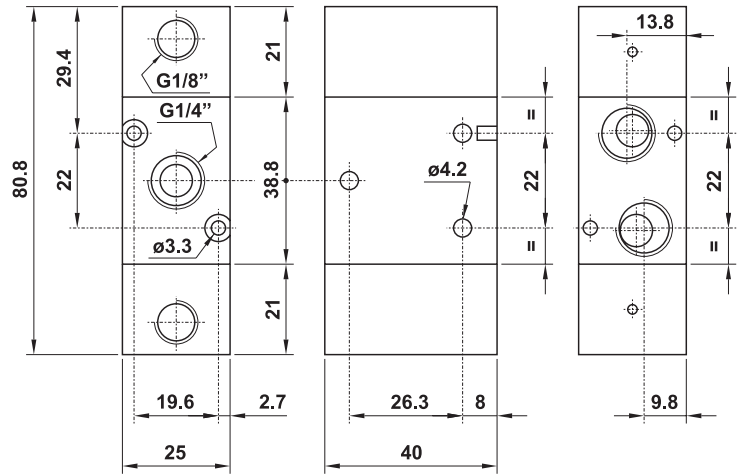
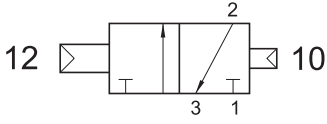
pneumatically piloted valves



322 CCD

3/2 1/4" doppio comando pneumatico - con differenziale

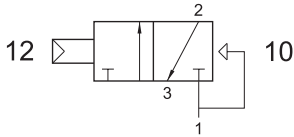
3/2 1/4" double pneumatic pilot - with differential



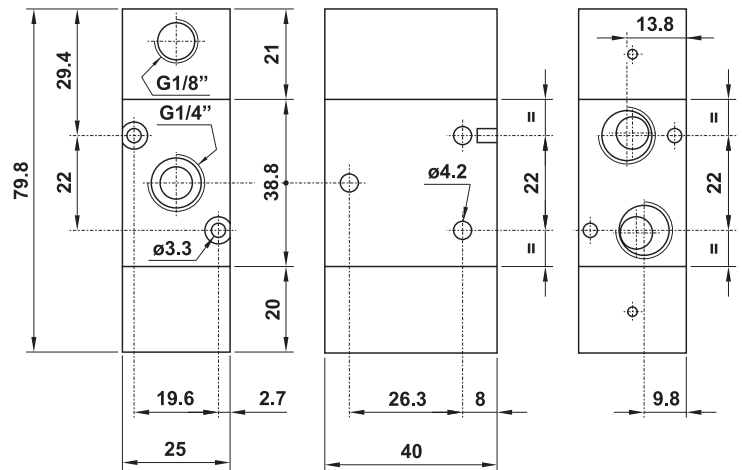
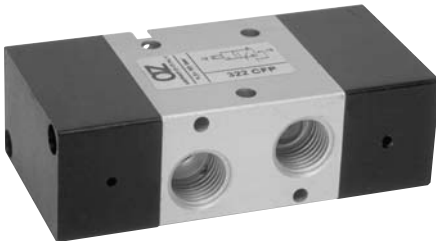
322 CFP

3/2 1/4" NC comando pneumatico - ritorno a molla pneumatica

3/2 1/4" NC pneumatic pilot - pneumatic spring return



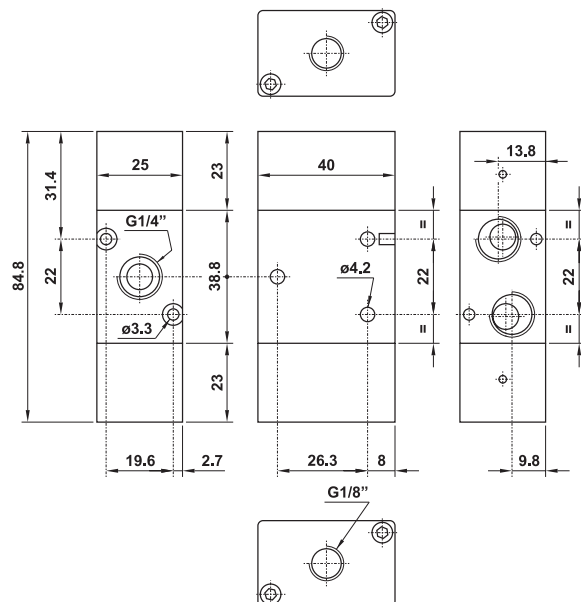
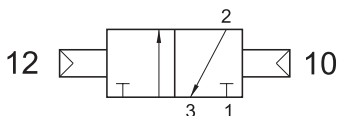
Non può essere utilizzata come valvola normalmente aperta.
It cannot be used as normally open valve.



322 CC SUP

3/2 1/4" doppio comando pneumatico attacco superiore

3/2 1/4" double pneumatic pilot on the top



valvole ad azionamento pneumatico

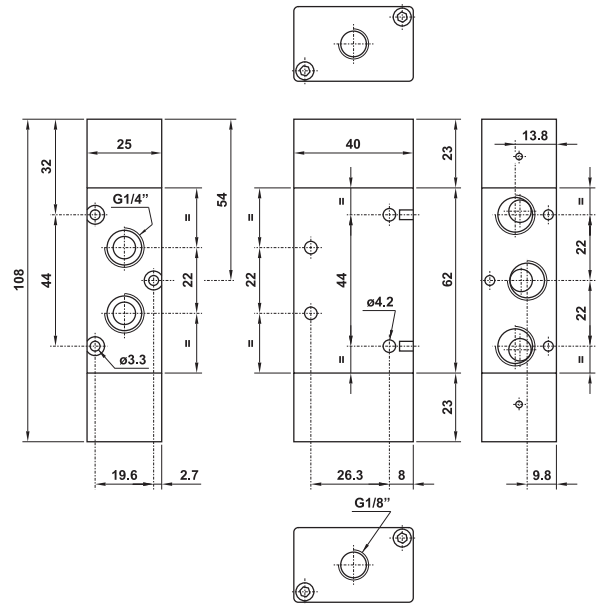
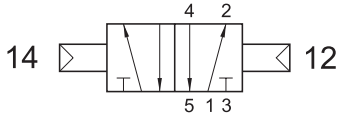
pneumatically piloted valves



522 CC SUP

5/2 1/4" doppio comando pneumatico attacco superiore

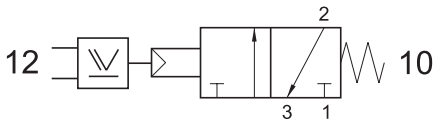
5/2 1/4" double pneumatic pilot on the top



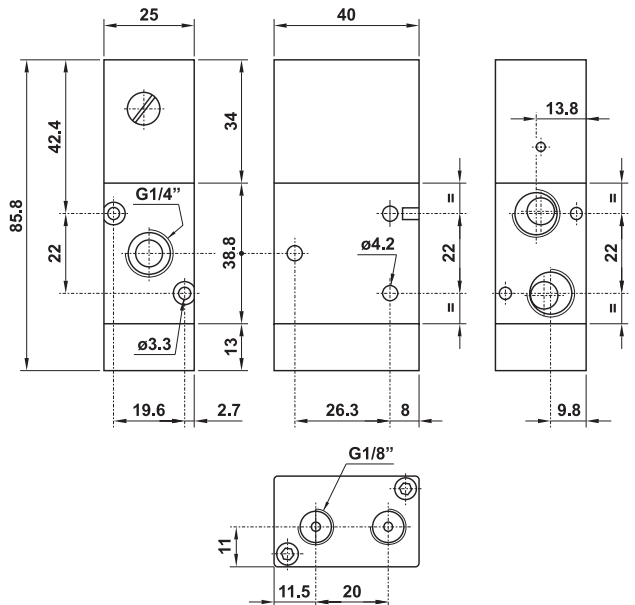
322 ORM

3/2 1/4" NC comando pneum. con elem. OR integrato - ritorno a molla

3/2 1/4" NC pneumatic pilot with integrated OR element - spring return



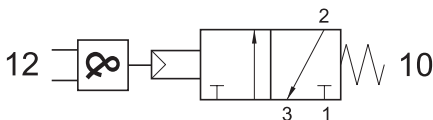
Non può essere utilizzata come valvola normalmente aperta.
It cannot be used as normally open valve.



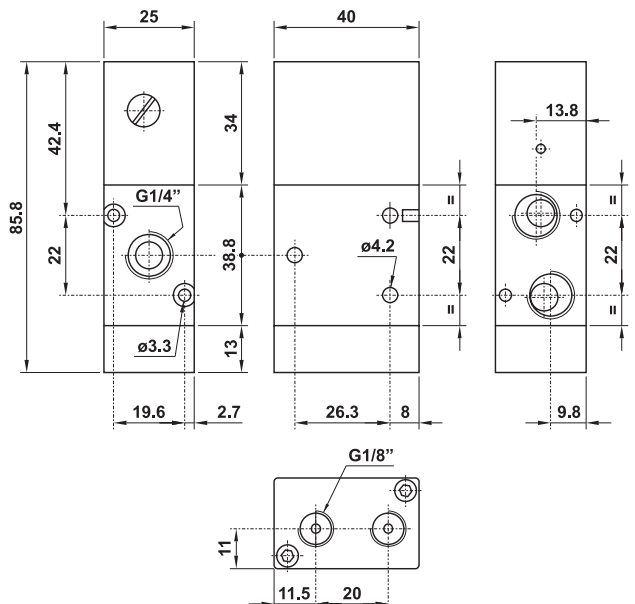
322 ANDM

3/2 1/4" NC comando pneum. con elem. AND integrato - ritorno a molla

3/2 1/4" NC pneumatic pilot with integrated AND element - spring return



Non può essere utilizzata come valvola normalmente aperta.
It cannot be used as normally open valve.



valvole ad azionamento pneumatico

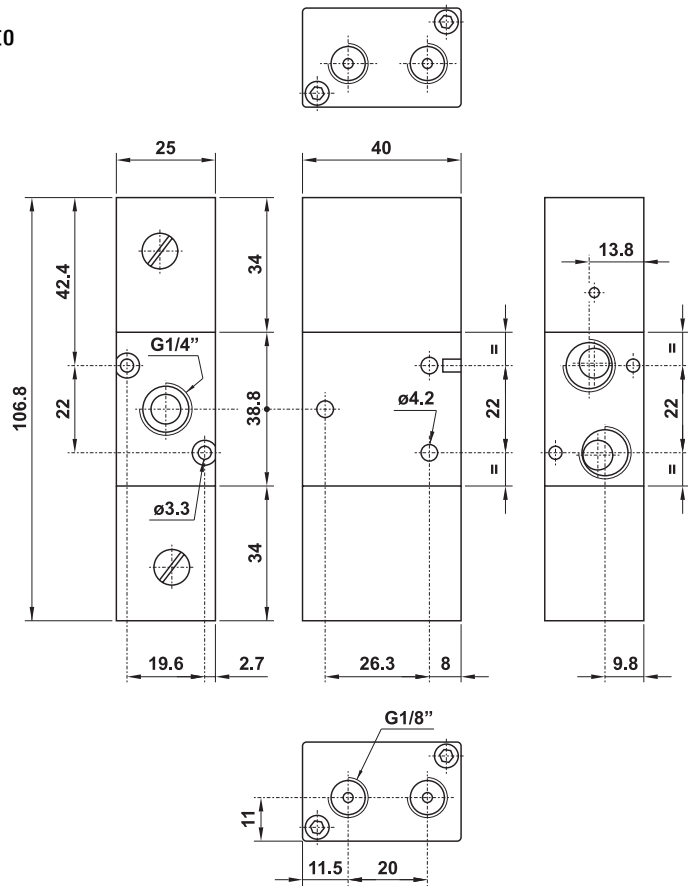
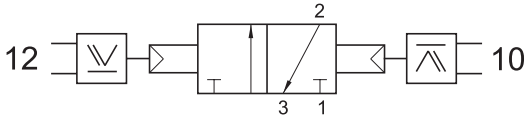
pneumatically piloted valves



322 2OR

3/2 1/4" doppio comando pneumatico con elemento OR integrato

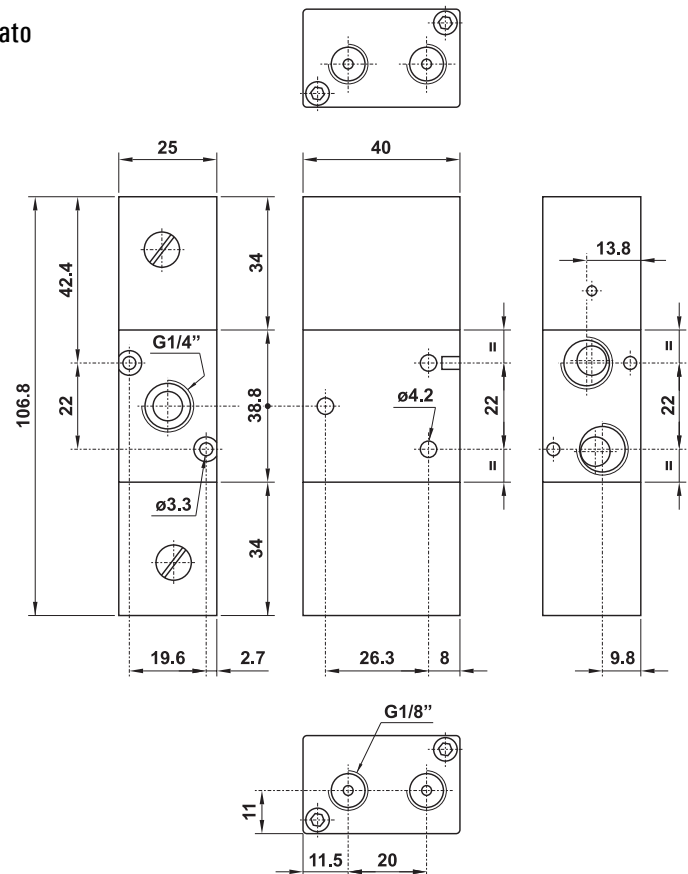
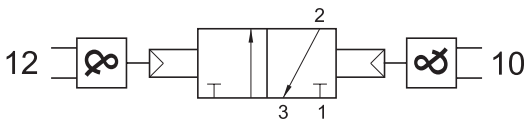
3/2 1/4" double pneumatic pilot with integrated OR element



322 2AND

3/2 1/4" doppio comando pneumatico con elemento AND integrato

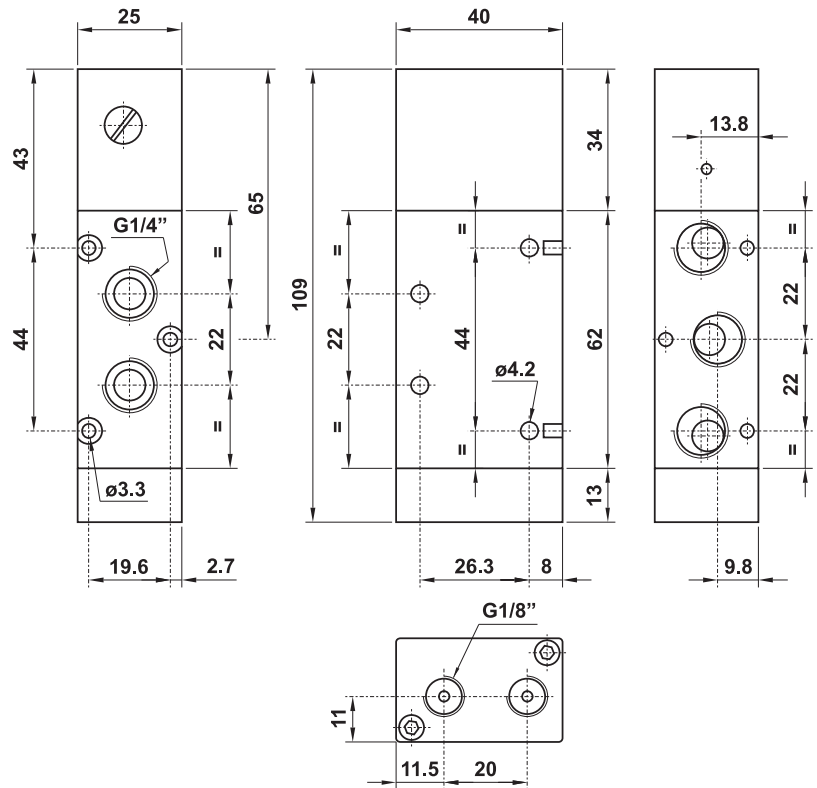
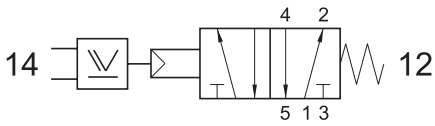
3/2 1/4" double pneumatic pilot with integrated AND element



522 ORM

5/2 1/4" comando pneum. con elemento OR integrato - ritorno a molla

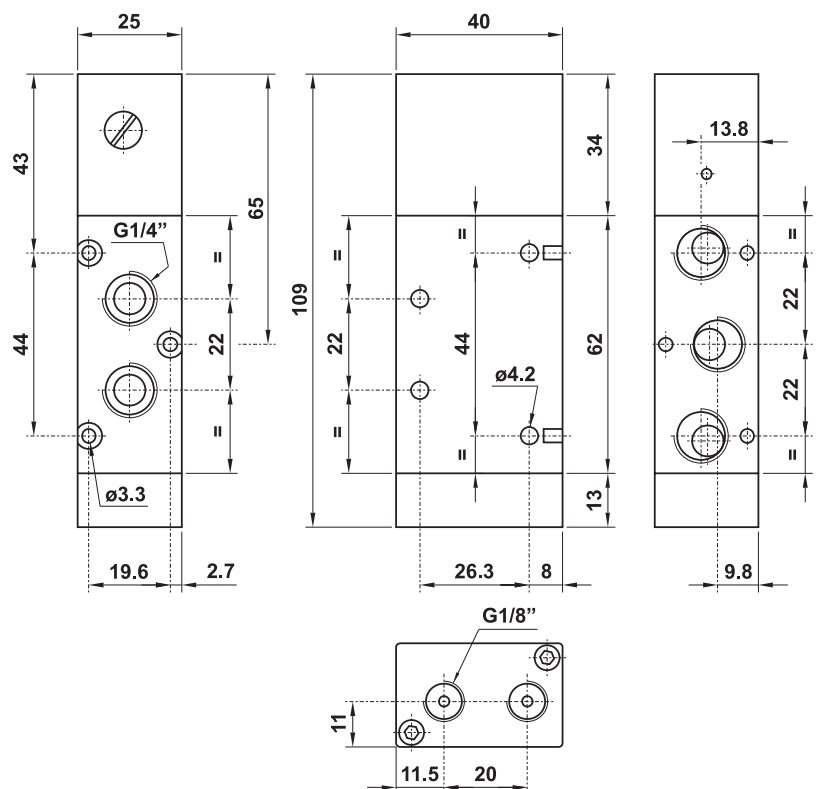
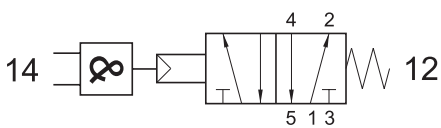
5/2 1/4" pneumatic pilot with integrated OR element - spring return



522 ANDM

5/2 1/4" comando pneum. con elem. AND integrato - ritorno a molla

5/2 1/4" pneumatic pilot with integrated AND element - spring return



valvole ad azionamento pneumatico

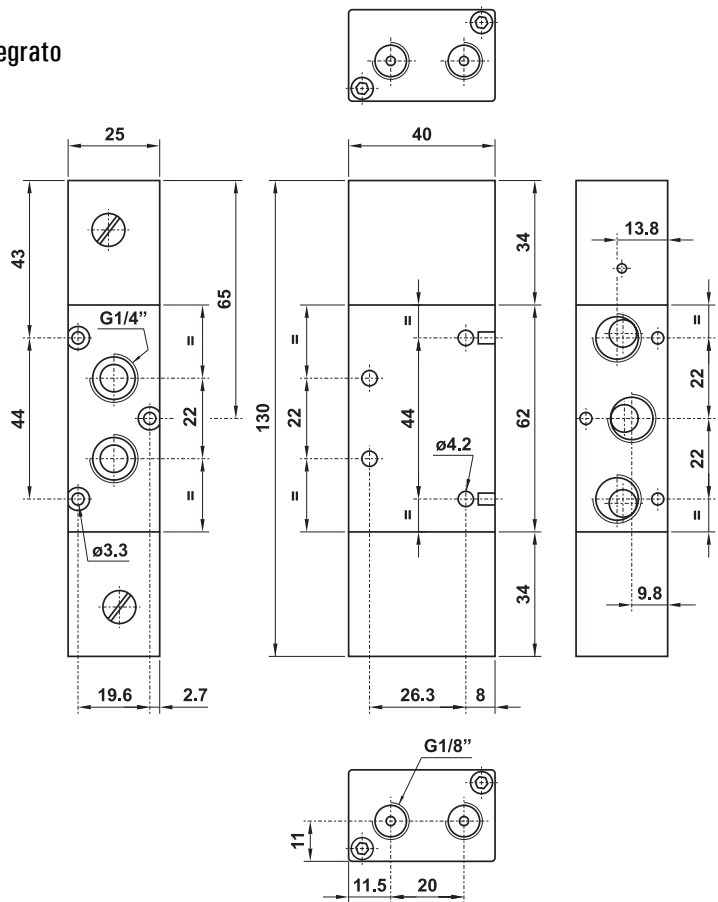
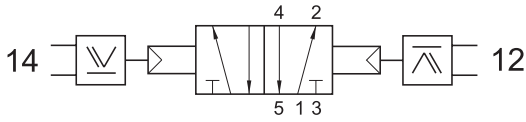
pneumatically piloted valves



522 20R

5/2 1/4" doppio comando pneumatico con elemento OR integrato

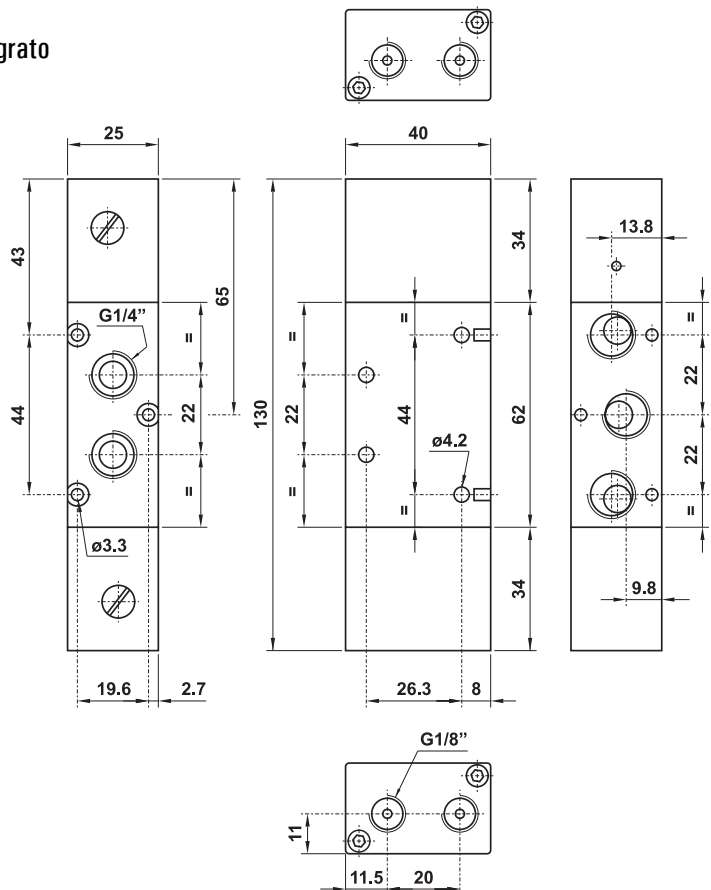
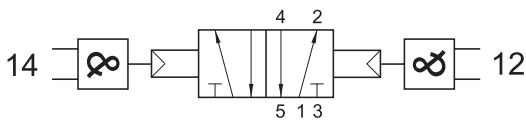
5/2 1/4" double pneumatic pilot with integrated OR element



522 2AND

5/2 1/4" doppio comando pneumatico con elemento AND integrato

5/2 1/4" double pneumatic pilot with integrated AND element



valvole ad azionamento pneumatico

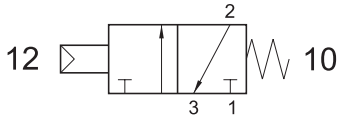
pneumatically piloted valves



321 MCQ

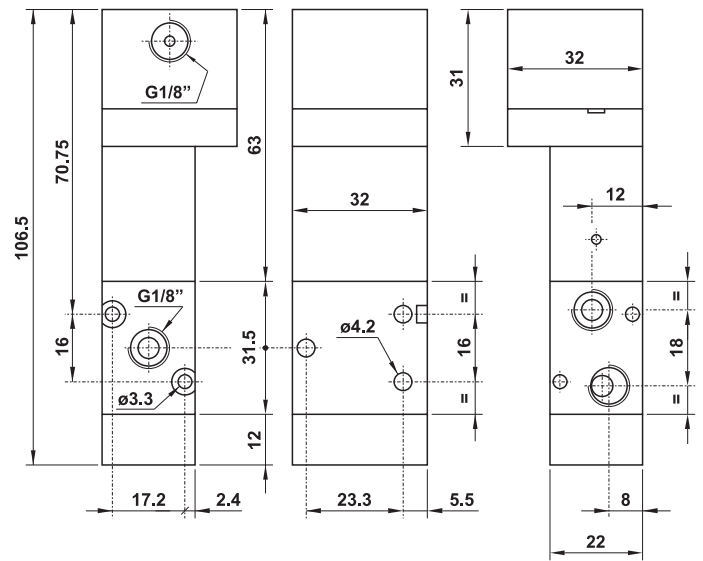
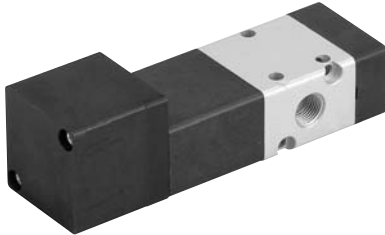
3/2 1/8" NC comando pneumatico 0.3 bar - ritorno a molla

3/2 1/8" NC pneumatic pilot 0.3 bar - spring return



Pressione di lavoro: min. 2.5 bar (0.25 MPa)
Pressione di comando: min. 0.3 bar (0.03 MPa)

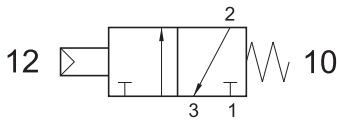
Work pressure: min. 2.5 bar (0.25 MPa)
Pilot pressure: min. 0.3 bar (0.03 MPa)



321 MCS

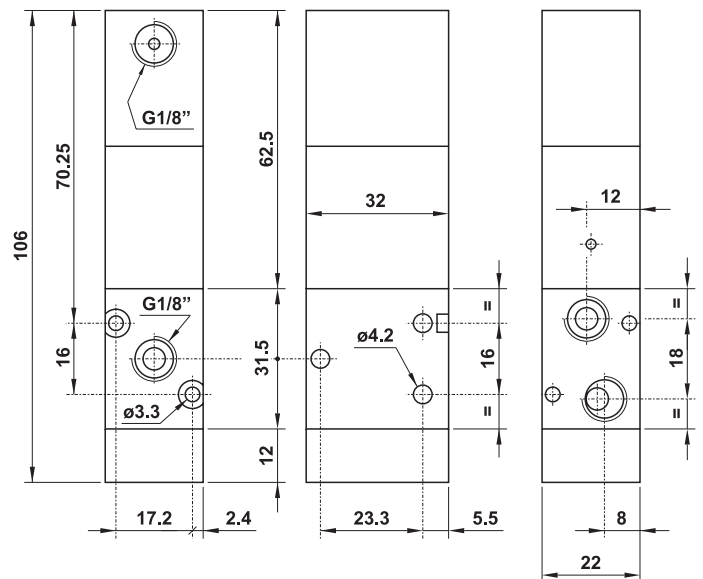
3/2 1/8" NC comando pneumatico 0.6 bar - ritorno a molla

3/2 1/8" NC pneumatic pilot 0.6 bar - spring return



Pressione di lavoro: min. 2.5 bar (0.25 MPa)
Pressione di comando: min. 0.6 bar (0.06 MPa)

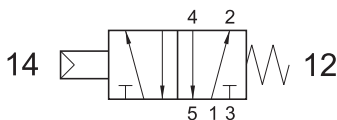
Work pressure: min. 2.5 bar (0.25 MPa)
Pilot pressure: min. 0.6 bar (0.06 MPa)



521 MCQ

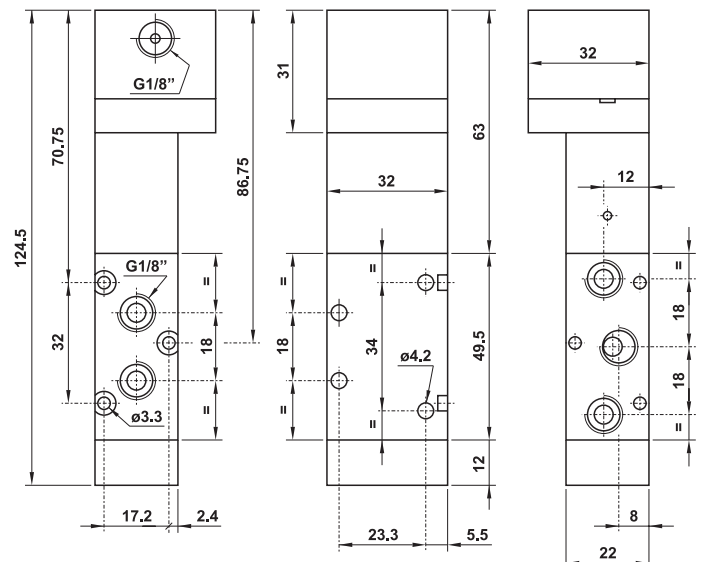
5/2 1/8" comando pneumatico 0.3 bar - ritorno a molla

5/2 1/8" pneumatic pilot 0.3 bar - spring return



Pressione di lavoro: min. 2.5 bar (0.25 MPa)
Pressione di comando: min. 0.3 bar (0.03 MPa)

Work pressure: min. 2.5 bar (0.25 MPa)
Pilot pressure: min. 0.3 bar (0.03 MPa)



valvole ad azionamento pneumatico

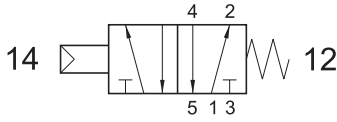
pneumatically piloted valves



521 MCS

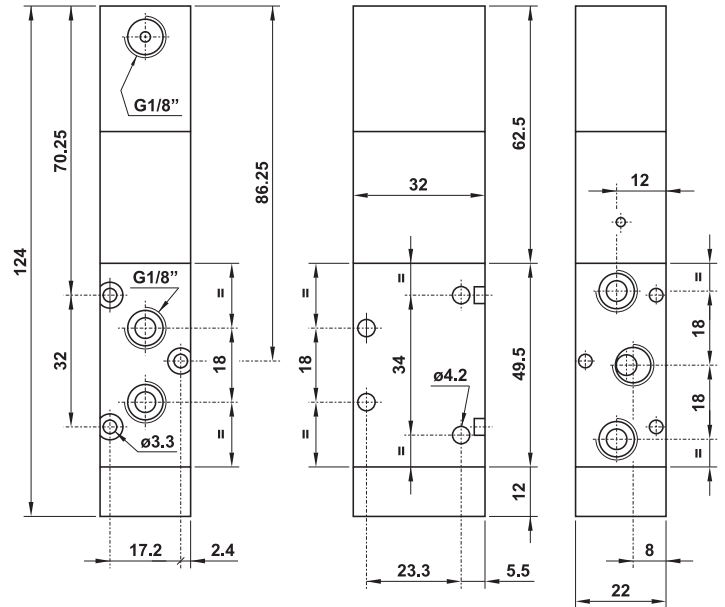
5/2 1/8" comando pneumatico 0.6 bar - ritorno a molla

5/2 1/8" pneumatic pilot 0.6 bar - spring return



Pressione di lavoro: min. 2.5 bar (0.25 MPa)
Pressione di comando: min. 0.6 bar (0.06 MPa)

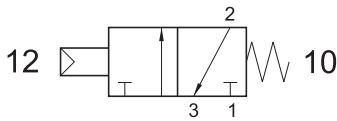
Work pressure: min. 2.5 bar (0.25 MPa)
Pilot pressure: min. 0.6 bar (0.06 MPa)



322 MCS

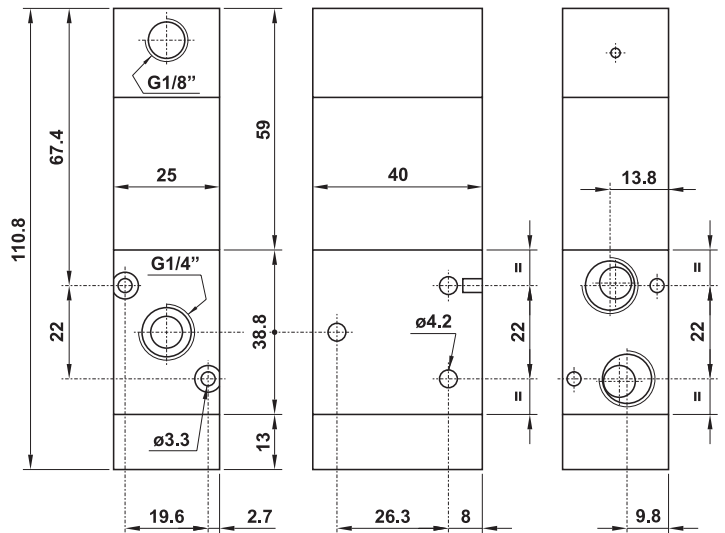
3/2 1/4" NC comando pneumatico 0.6 bar - ritorno a molla

3/2 1/4" NC pneumatic pilot 0.6 bar - spring return



Pressione di lavoro: min. 2.5 bar (0.25 MPa)
Pressione di comando: min. 0.6 bar (0.06 MPa)

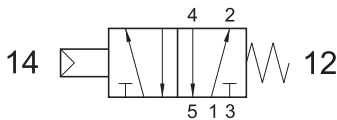
Work pressure: min. 2.5 bar (0.25 MPa)
Pilot pressure: min. 0.6 bar (0.06 MPa)



522 MCS

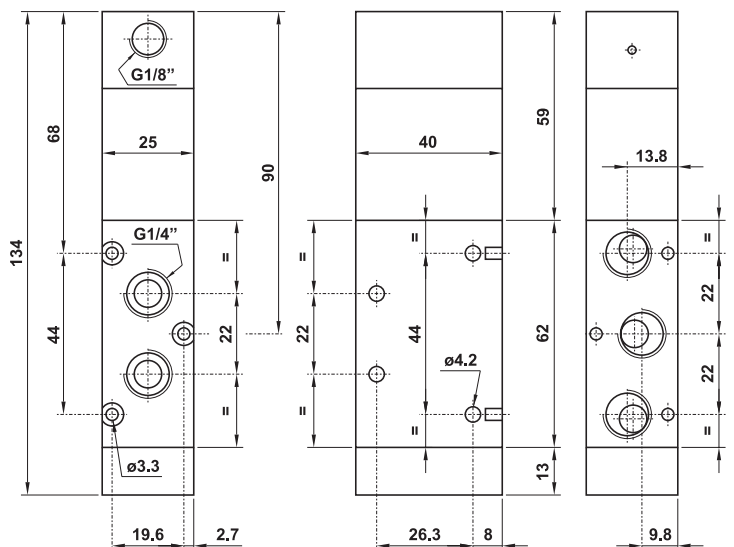
5/2 1/4" comando pneumatico 0.6 bar - ritorno a molla

5/2 1/4" pneumatic pilot 0.6 bar - spring return



Pressione di lavoro: min. 2.5 bar (0.25 MPa)
Pressione di comando: min. 0.6 bar (0.06 MPa)

Work pressure: min. 2.5 bar (0.25 MPa)
Pilot pressure: min. 0.6 bar (0.06 MPa)



elettropiloti su base

solenoid valves on manifold



I prodotti qui indicati sono venduti senza bobine, da acquistarsi separatamente (vedi pag. 98).
All here mentioned products are sold without coils, which are bought separately (refer to page 98).

elettropilota singolo 3/2 con o senza azion. manuale bistabile
3/2 single solenoid valve with or without detented manual override

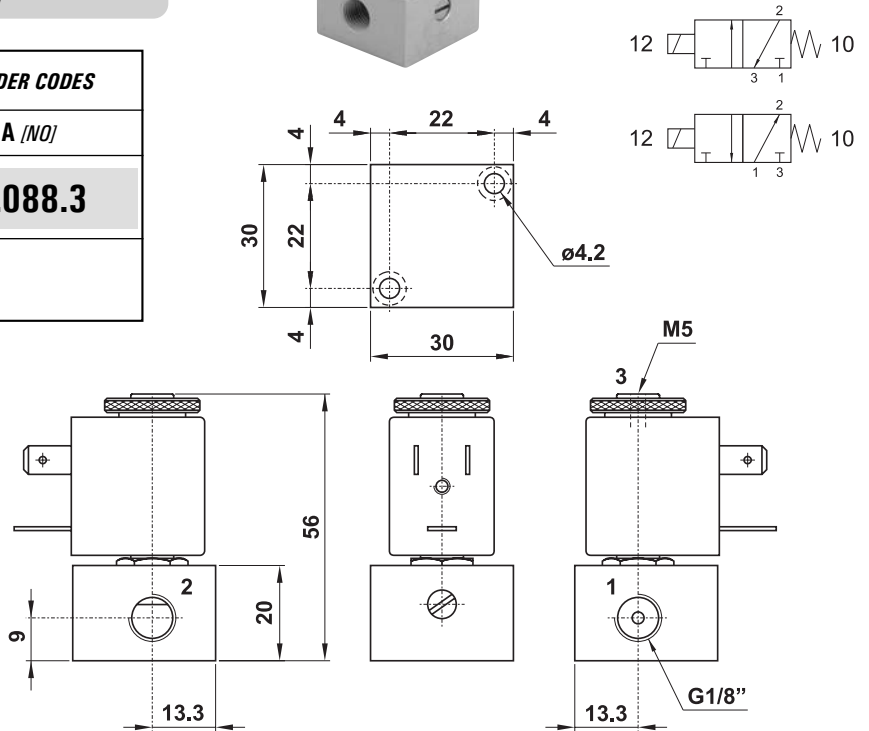
1/8"

bobina coil **22 mm**



| | CODICI DI ORDINAZIONE - ORDER CODES | |
|--|-------------------------------------|-----------------|
| | NC [NC] | NA [NO] |
| senza azion. manuale <i>without manual override</i> | 00.071.3 | 00.088.3 |
| con azion. manuale <i>with manual override</i> | 00.051.3 | |

| | |
|--|---|
| Temperatura di esercizio <i>Temperature range</i> | max +60°C |
| Pressione di esercizio <i>Working pressure</i> | max 10 bar max 1 MPa |
| Diametro nominale <i>Nominal orifice</i> | 1.1 mm |
| Portata nominale 1-2 <i>Nominal flow rate 1-2</i> | 30 NI/min |
| Fluido <i>Fluid</i> | Aria filtrata 50µ con o senza lubrificazione <i>50µ filtered, lubricated or non lubricated air</i> |



elettropilota singolo 3/2 con o senza azion. manuale bistabile
3/2 single solenoid valve with or without detented manual override

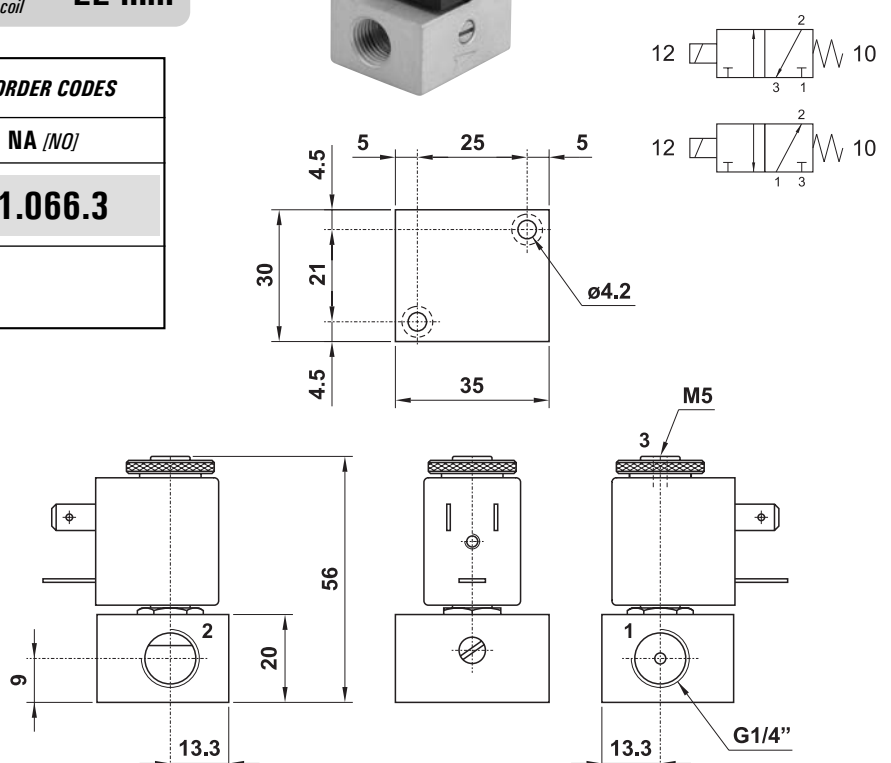
1/4"

bobina coil **22 mm**



| | CODICI DI ORDINAZIONE - ORDER CODES | |
|--|-------------------------------------|-----------------|
| | NC [NC] | NA [NO] |
| senza azion. manuale <i>without manual override</i> | 01.068.3 | 01.066.3 |
| con azion. manuale <i>with manual override</i> | 01.005.3 | |

| | |
|--|---|
| Temperatura di esercizio <i>Temperature range</i> | max +60°C |
| Pressione di esercizio <i>Working pressure</i> | max 10 bar max 1 MPa |
| Diametro nominale <i>Nominal orifice</i> | 1.1 mm |
| Portata nominale 1-2 <i>Nominal flow rate 1-2</i> | 30 NI/min |
| Fluido <i>Fluid</i> | Aria filtrata 50µ con o senza lubrificazione <i>50µ filtered, lubricated or non lubricated air</i> |



elettropiloti su base

solenoid valves on manifold



I prodotti qui indicati sono venduti senza bobine, da acquistarsi separatamente (vedi pag. 98).
All here mentioned products are sold without coils, which are bought separately (refer to page 98).

elettropilota singolo 3/2 NC su base CNOMO con azionatore manuale
3/2 NC single solenoid valve on CNOMO-base with manual override

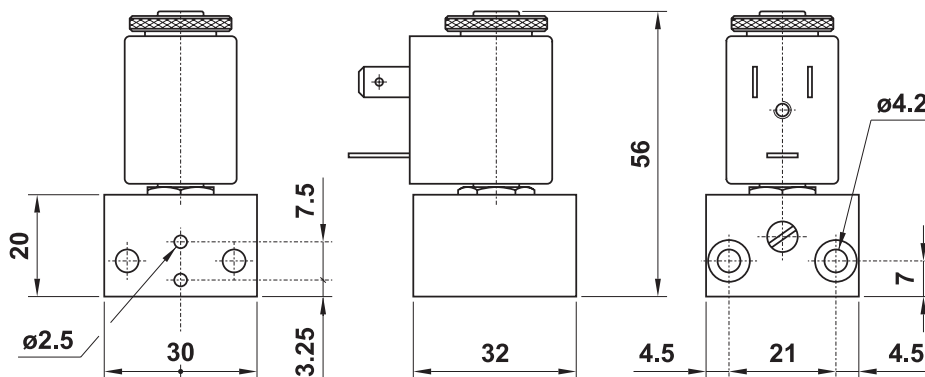
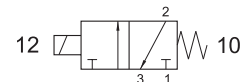
bobina
coil **22 mm**

00.004.3

con azionatore manuale bistabile
with detented manual override

00.064.3

con azionatore manuale monostabile
with non-detented manual override



| | |
|--|---|
| Temperatura di esercizio <i>Temperature range</i> | max +60°C |
| Pressione di esercizio <i>Working pressure</i> | max 10 bar max 1 MPa |
| Diametro nominale <i>Nominal orifice</i> | 1.1 mm |
| Portata nominale 1-2 <i>Nominal flow rate 1-2</i> | 30 NI/min |
| Fluido <i>Fluid</i> | Aria filtrata 50μ con o senza lubrificazione <i>50μ filtered, lubricated or non lubricated air</i> |

elettropiloti su base

solenoid valves on manifold



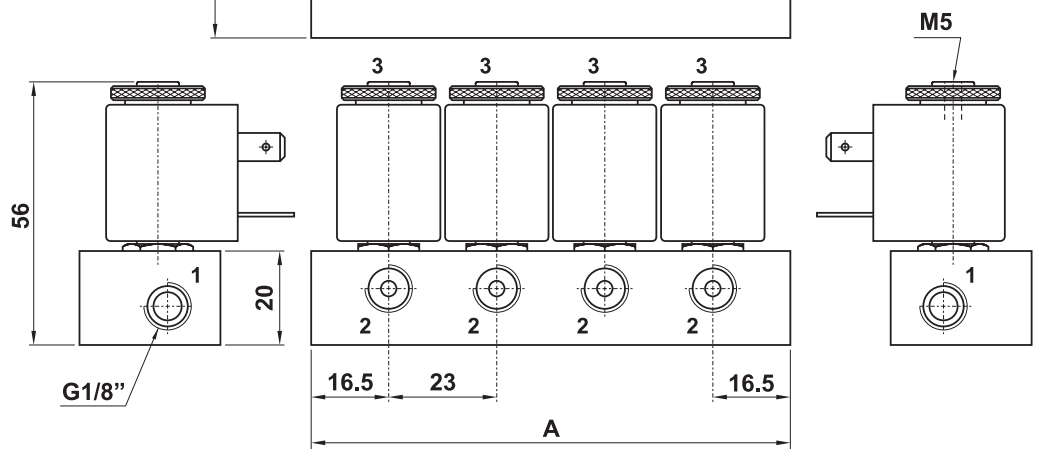
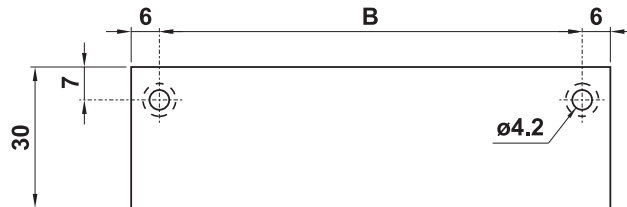
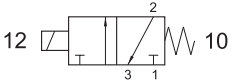
I prodotti qui indicati sono venduti senza bobine, da acquistarsi separatamente (vedi pag. 98).
All here mentioned products are sold without coils, which are bought separately (refer to page 98).

elettropiloti 3/2 NC su base senza azionatore manuale 3/2 NC solenoid valves on manifold without manual override

22 mm



- diametro nominale 1.1 mm
nominal orifice 1.1 mm



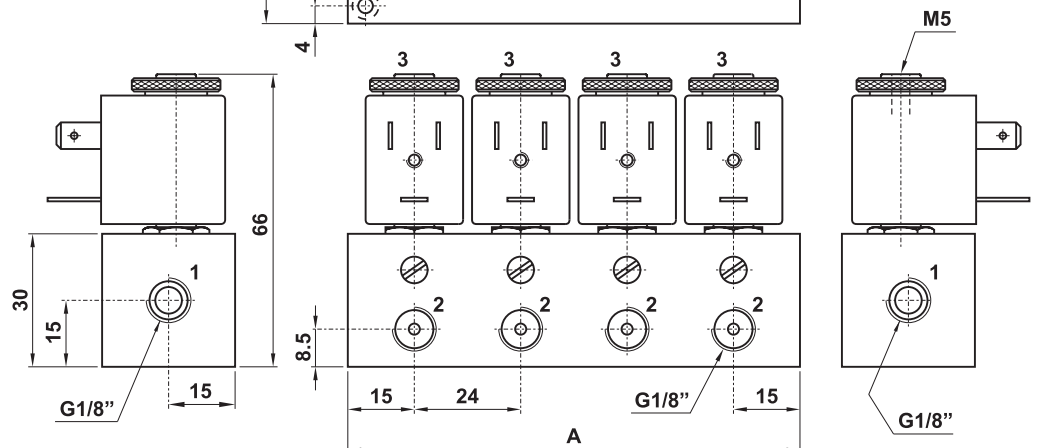
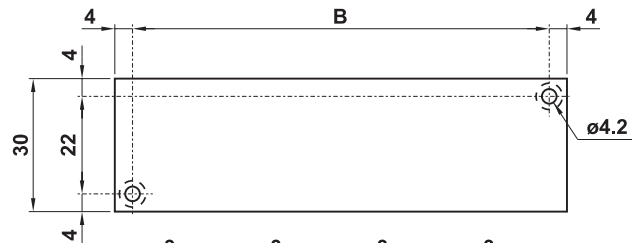
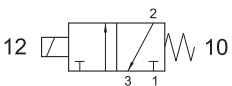
| modello model | nr. posizioni no. stations | A | B |
|------------------|-------------------------------|-----|-----|
| 00.072.3 | 2 | 56 | 44 |
| 00.073.3 | 3 | 79 | 67 |
| 00.074.3 | 4 | 102 | 90 |
| 00.075.3 | 5 | 125 | 113 |
| 00.076.3 | 6 | 148 | 136 |
| 00.077.3 | 7 | 171 | 159 |
| 00.078.3 | 8 | 194 | 182 |
| 00.079.3 | 9 | 217 | 205 |
| 00.080.3 | 10 | 240 | 228 |

elettropiloti 3/2 NC su base con azionatore manuale bistabile 3/2 NC solenoid valves on manifold with detented manual override

22 mm



- diametro nominale 1.1 mm
nominal orifice 1.1 mm



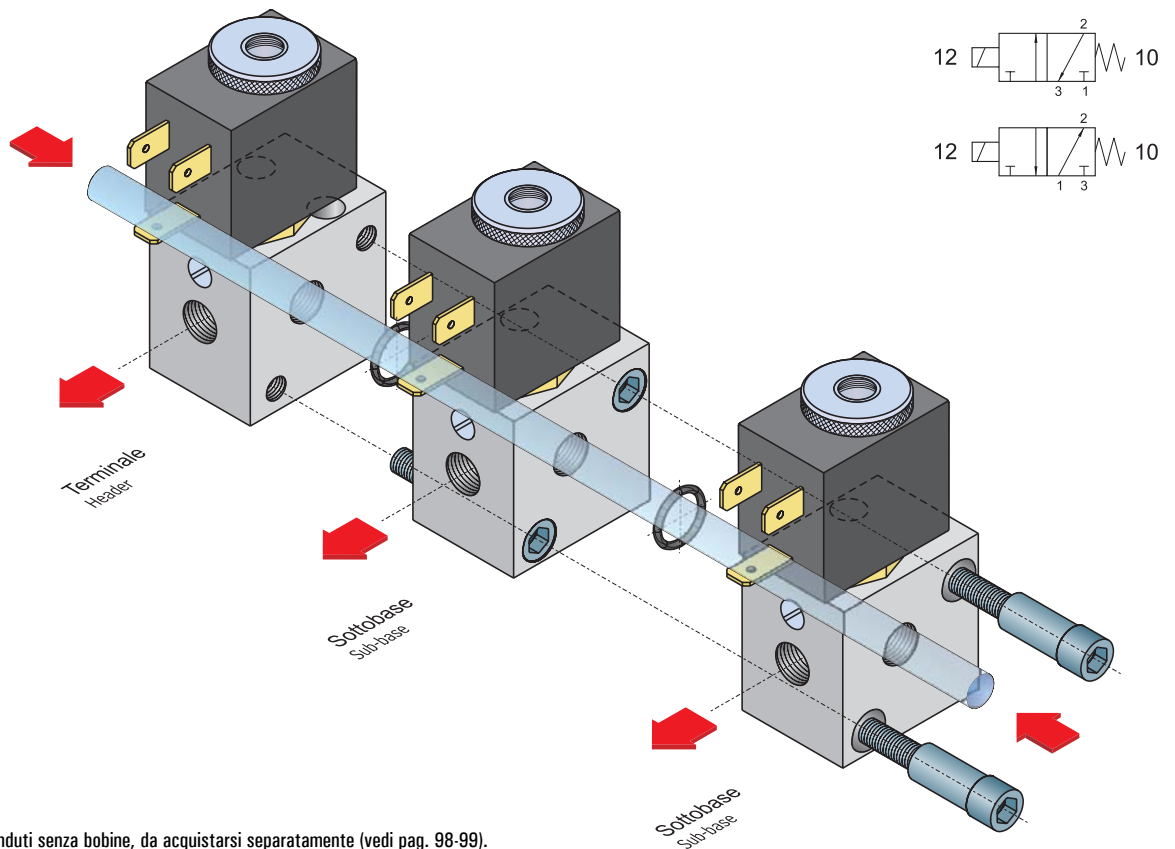
| modello model | nr. posizioni no. stations | A | B |
|------------------|-------------------------------|-----|-----|
| 00.052.3 | 2 | 54 | 46 |
| 00.053.3 | 3 | 78 | 70 |
| 00.054.3 | 4 | 102 | 94 |
| 00.055.3 | 5 | 126 | 118 |
| 00.056.3 | 6 | 150 | 142 |

elettropiloti su basi modulari

solenoid valves on multiple sub-bases



- Uscite filettate G1/8" o con raccordo automatico per tubo ø4
User ports: G1/8" or push-in fittings for ø4 tube
- I terminali possono essere utilizzati come basi singole
Headers can be used also as bases for standing-alone solenoid valves
- Con o senza azionatore manuale bistabile
With or without detented manual override
- Versione 3/2 normalmente chiusa e normalmente aperta
Normally closed and normally open 3/2 version
- Per bobine da 22 mm (a richiesta per bobine da 30 mm)
For 22 mm coils (on request for 30 mm coils)



I prodotti di seguito indicati sono venduti senza bobine, da acquistarsi separatamente (vedi pag. 98-99).
The following listed products are sold without coils, which are bought separately (refer to page 98-99).

| | |
|--|---|
| Temperatura di esercizio <i>Temperature range</i> | max +60°C |
| Pressione di esercizio <i>Working pressure</i> | max 10 bar max 1 MPa |
| Diametro nominale <i>Nominal orifice</i> | 1.1 mm |
| Fluido <i>Fluid</i> | Aria filtrata 50µ con o senza lubrificazione <i>50µ filtered, lubricated or non lubricated air</i> |

Basi e terminali sono venduti con tutti i particolari necessari per l'installazione modulare.
Sub-bases and headers are sold with all necessary pieces for installation.

elettropiloti su basi modulari

solenoid valves on multiple sub-bases



sottobase
sub-base

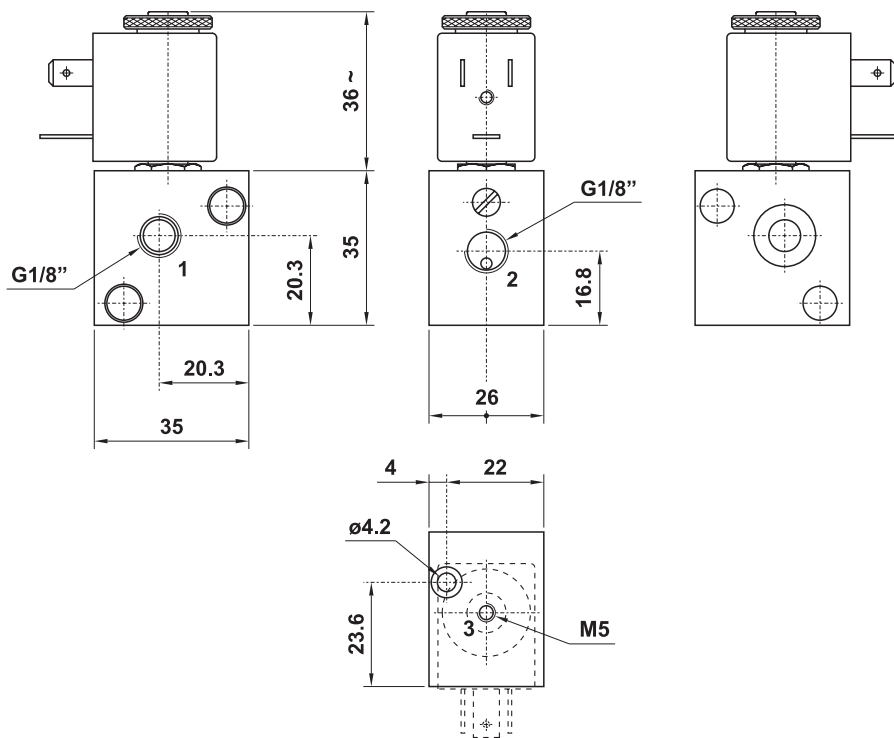
con azionatore manuale bistabile
with detented manual override

G1/8"

CODICE DI ORDINAZIONE - ORDER CODE

NC [NC]

00.094.3



terminale
header

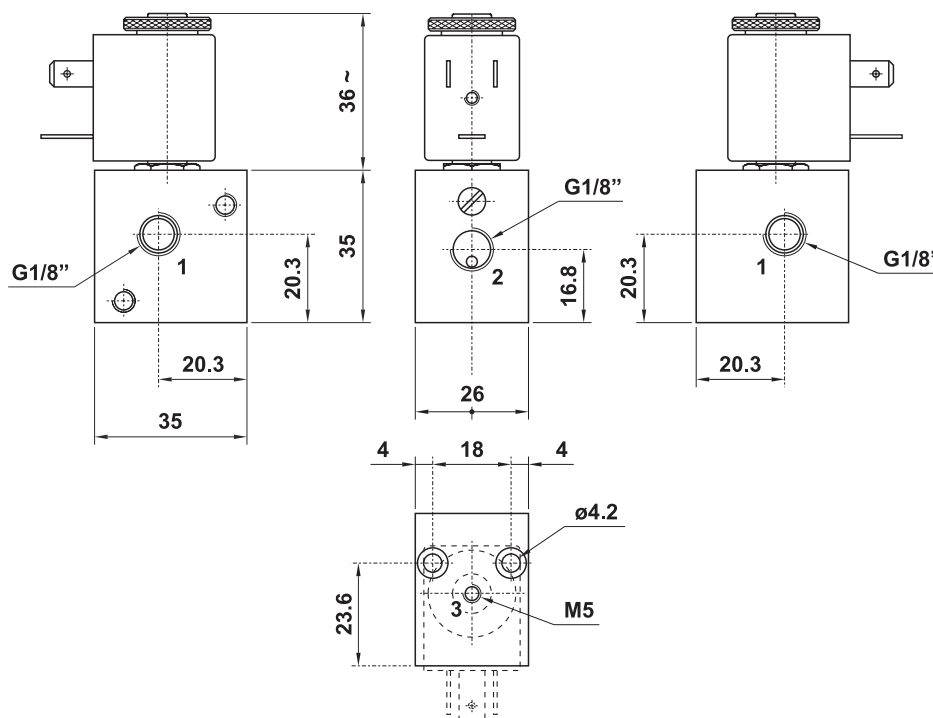
con azionatore manuale bistabile
with detented manual override

G1/8"

CODICE DI ORDINAZIONE - ORDER CODE

NC [NC]

00.095.3



elettropiloti su basi modulari

solenoid valves on multiple sub-bases



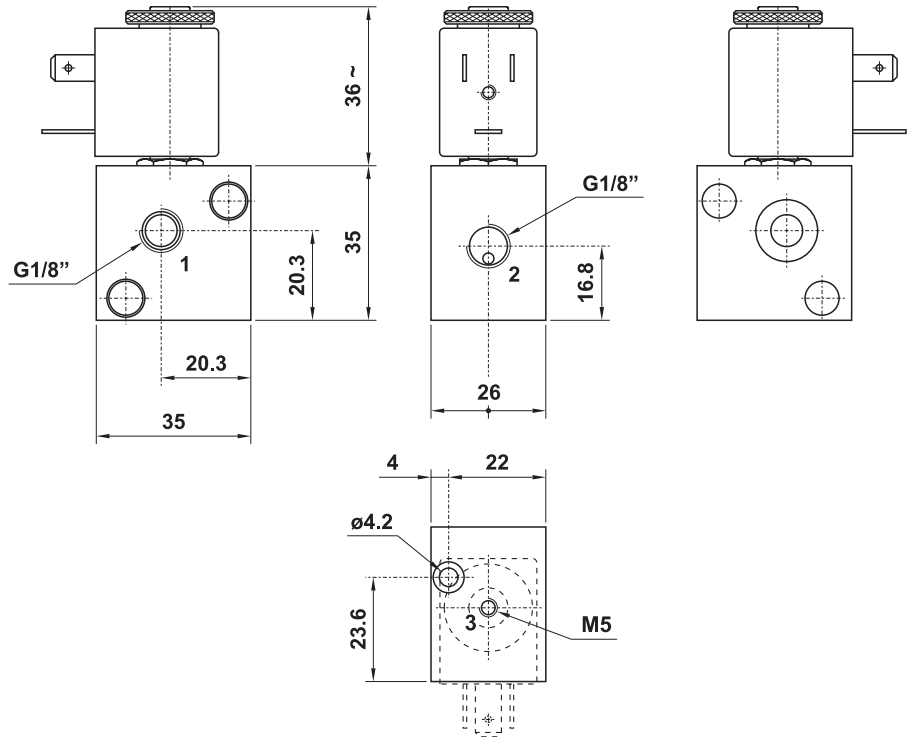
sottobase
sub-base

senza azionatore manuale
without manual override

G1/8"

CODICI DI ORDINAZIONE - ORDER CODES

| NC [NC] | NA [NO] |
|-----------------|-----------------|
| 00.096.3 | 00.130.3 |



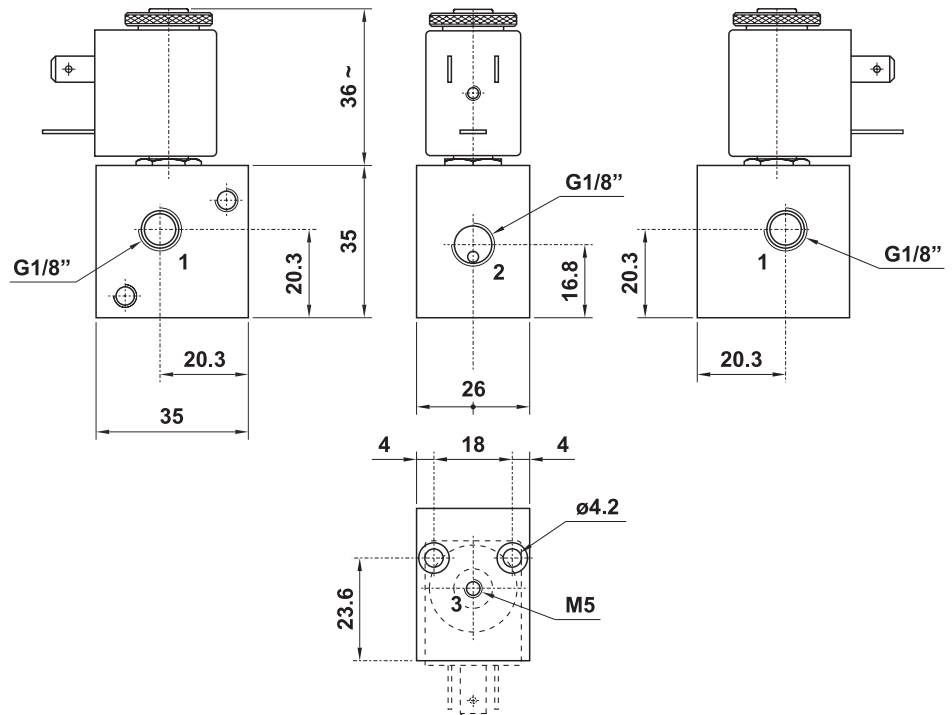
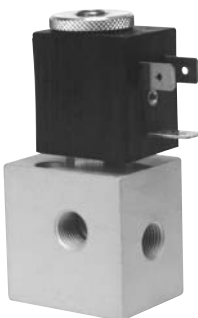
terminale
header

senza azionatore manuale
without manual override

G1/8"

CODICI DI ORDINAZIONE - ORDER CODES

| NC [NC] | NA [NO] |
|-----------------|-----------------|
| 00.097.3 | 00.131.3 |



elettropiloti su basi modulari

solenoid valves on multiple sub-bases



sottobase
sub-base

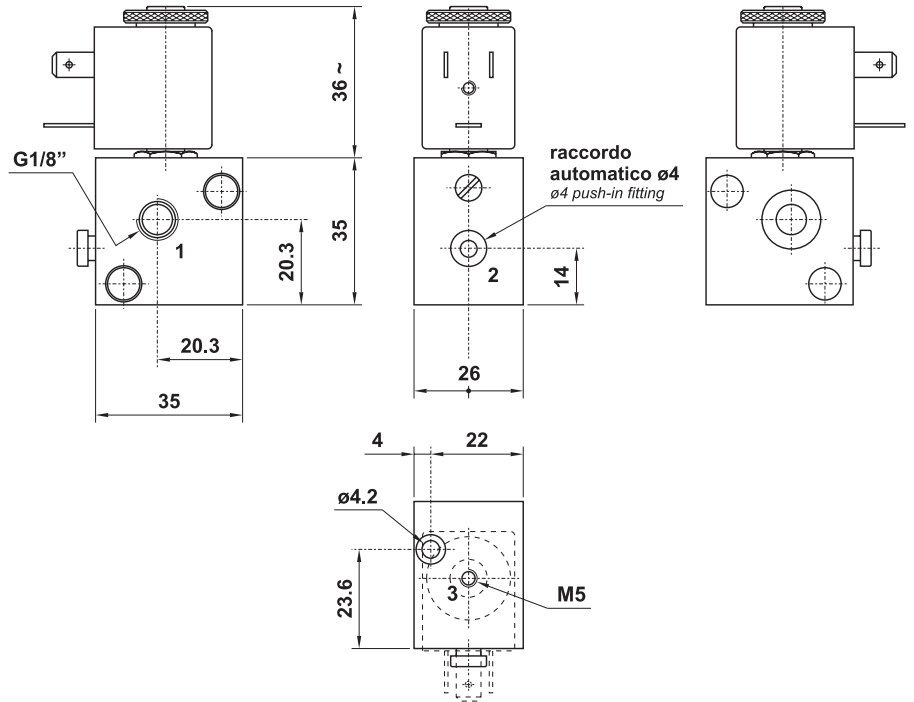
con azionatore manuale bistabile
with detented manual override

ø4

CODICE DI ORDINAZIONE - ORDER CODE

NC [NC]

00.098.3



terminale
header

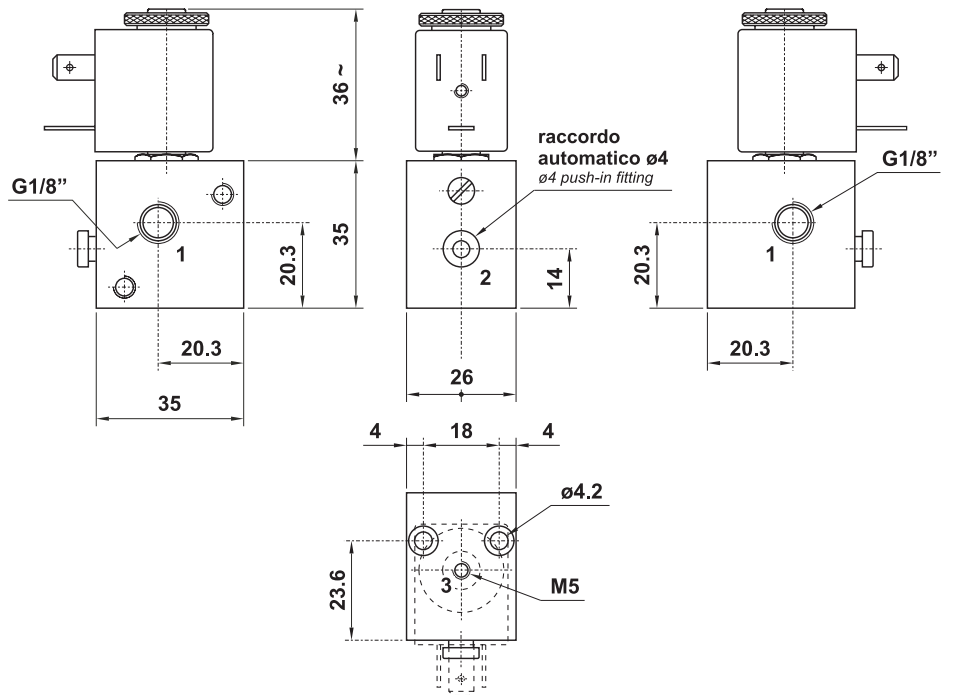
con azionatore manuale bistabile
with detented manual override

ø4

CODICE DI ORDINAZIONE - ORDER CODE

NC [NC]

00.099.3



elettropiloti su basi modulari

solenoid valves on multiple sub-bases



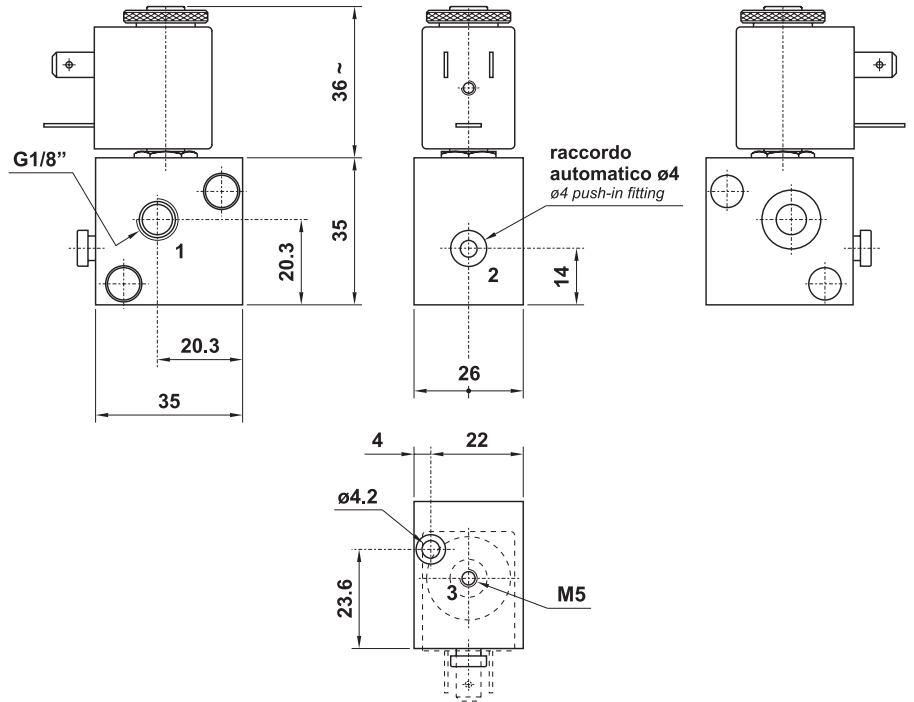
sottobase
sub-base

senza azionatore manuale
without manual override

ø4

CODICI DI ORDINAZIONE - ORDER CODES

| NC [NC] | NA [NO] |
|-----------------|-----------------|
| 00.100.3 | 00.134.3 |



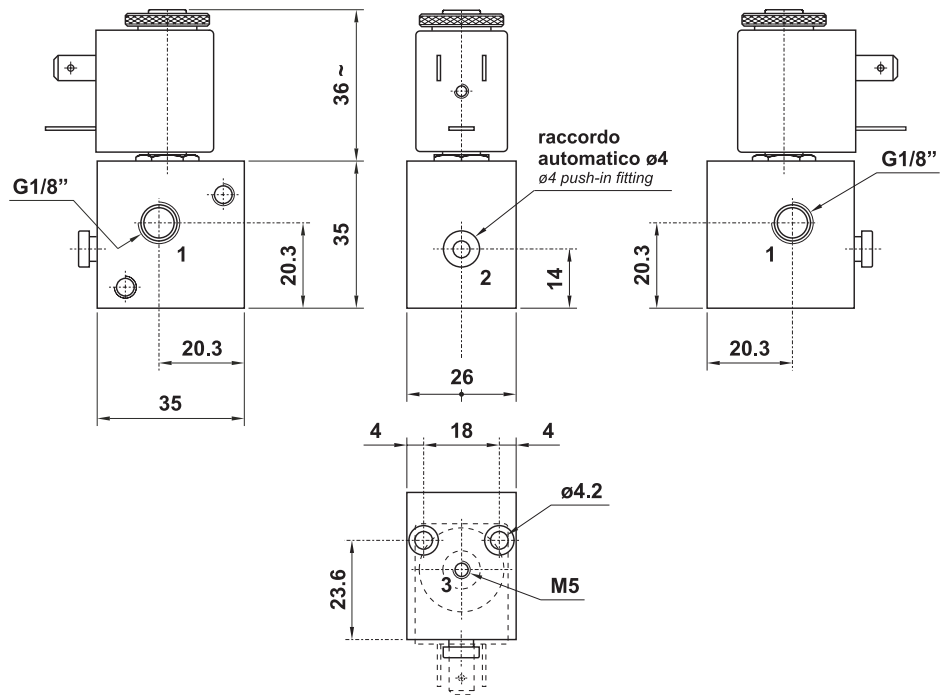
terminale
header

senza azionatore manuale
without manual override

ø4

CODICI DI ORDINAZIONE - ORDER CODES

| NC [NC] | NA [NO] |
|-----------------|-----------------|
| 00.101.3 | 00.135.3 |



bobine e connettori 22 mm

22 mm coils and connectors



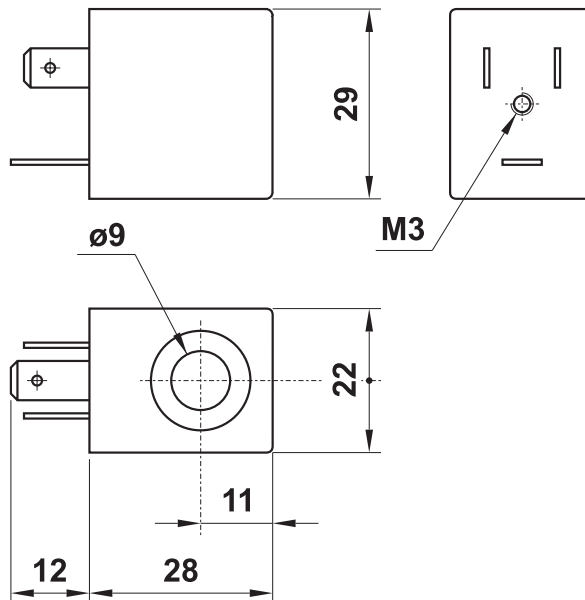
22 mm



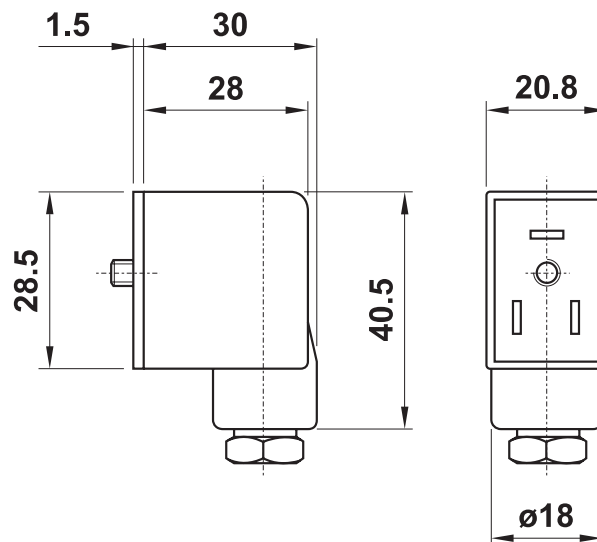
| | | |
|---|----------------|--|
| temperatura max di esercizio | +50°C | <i>max working temperature</i> |
| inserimento | ED 100% | <i>duty cycle</i> |
| protezione con connettore correttamente montato | IP 65 | <i>protection with connector correctly mounted</i> |
| tolleranza di tensione | ±10% | <i>tension tolerance</i> |

- a richiesta basso assorbimento 1.5W
low consumption (1.5W) on request

| codice <i>code</i> | tensione <i>tension</i> | consumo - power | |
|-----------------------|----------------------------|--------------------------|----------------------------|
| | | a regime <i>rated</i> | di spunto <i>inrush</i> |
| 00.167.0 | 12V DC | 3W | |
| 00.028.0 | 24V DC | 3W | |
| 00.029.0 | 24V 50/60Hz | 5VA | 7.5VA |
| 00.030.0 | 110V 50/60Hz | 5VA | 7.5VA |
| 00.031.0 | 220V 50/60Hz | 5VA | 7.5VA |



| codice <i>code</i> | colore <i>colour</i> | cavo <i>cable</i> | tipo <i>type</i> |
|-----------------------|-----------------------------------|----------------------|--|
| 00.197.0 | nero <i>black</i> | PG09 | normale <i>standard</i> |
| 00.344.0 | trasparente <i>transparent</i> | PG09 | con LED 24V <i>with LED 24V</i> |
| 00.345.0 | trasparente <i>transparent</i> | PG09 | con LED 24V e VDR <i>with LED 24V and VDR</i> |
| 00.346.0 | trasparente <i>transparent</i> | PG09 | con LED 115V <i>with LED 115V</i> |
| 00.347.0 | trasparente <i>transparent</i> | PG09 | con LED 115V e VDR <i>with LED 115V and VDR</i> |
| 00.394.0 | trasparente <i>transparent</i> | PG09 | con LED 230V <i>with LED 230V</i> |
| 00.395.0 | trasparente <i>transparent</i> | PG09 | con LED 230V e VDR <i>with LED 230V and VDR</i> |



PEZZI DI RICAMBIO - spare parts
canotto per elettropilota
armature for solenoid pilot

NC : 00.088.0
NA (NO) : 00.306.0

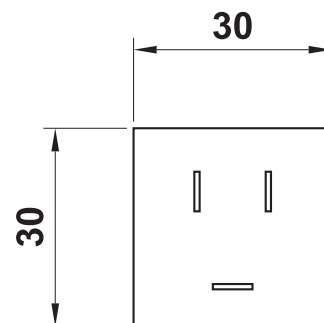
bobine e connettori 30 mm

30 mm coils and connectors

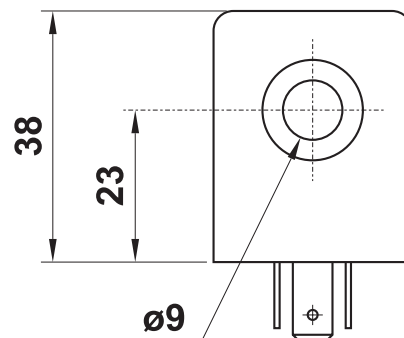


30 mm

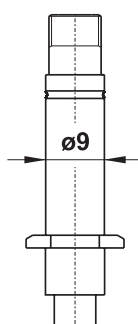
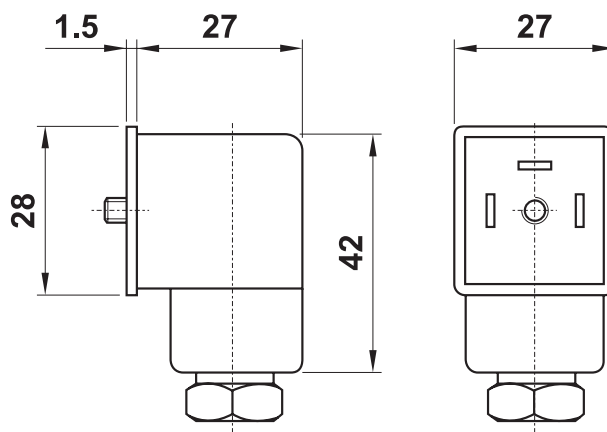
| | | |
|---|----------------|--|
| temperatura max di esercizio | +50°C | <i>max working temperature</i> |
| inserimento | ED 100% | <i>duty cycle</i> |
| protezione con connettore correttamente montato | IP 65 | <i>protection with connector correctly mounted</i> |
| tolleranza di tensione | ±10% | <i>tension tolerance</i> |



| codice <i>code</i> | tensione <i>tension</i> | consumo - power | |
|-----------------------|----------------------------|--------------------------|----------------------------|
| | | a regime <i>rated</i> | di spunto <i>inrush</i> |
| 00.258.0 | 24V DC | 2W | |
| 00.259.0 | 24V 50/60Hz | 5VA | 9VA |
| 00.260.0 | 110V 50/60Hz | 5VA | 9VA |
| 00.261.0 | 220V 50/60Hz | 5VA | 9VA |



| codice <i>code</i> | colore <i>colour</i> | cavo <i>cable</i> | tipo <i>type</i> |
|-----------------------|-----------------------------------|----------------------|--|
| 00.251.0 | nero <i>black</i> | PG09 | normale <i>standard</i> |
| 00.348.0 | trasparente <i>transparent</i> | PG09 | con LED 24V <i>with LED 24V</i> |
| 00.349.0 | trasparente <i>transparent</i> | PG09 | con LED 24V e VDR <i>with LED 24V and VDR</i> |
| 00.350.0 | trasparente <i>transparent</i> | PG09 | con LED 115V <i>with LED 115V</i> |
| 00.351.0 | trasparente <i>transparent</i> | PG09 | con LED 115V e VDR <i>with LED 115V and VDR</i> |
| 00.396.0 | trasparente <i>transparent</i> | PG09 | con LED 230V <i>with LED 230V</i> |
| 00.397.0 | trasparente <i>transparent</i> | PG09 | con LED 230V e VDR <i>with LED 230V and VDR</i> |



PEZZI DI RICAMBIO - spare parts
canotto per elettropilota
armature for solenoid pilot

NC : 00.088.0
NA (NO) : 00.306.0

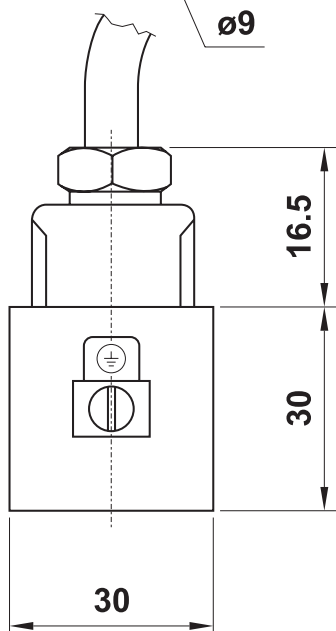
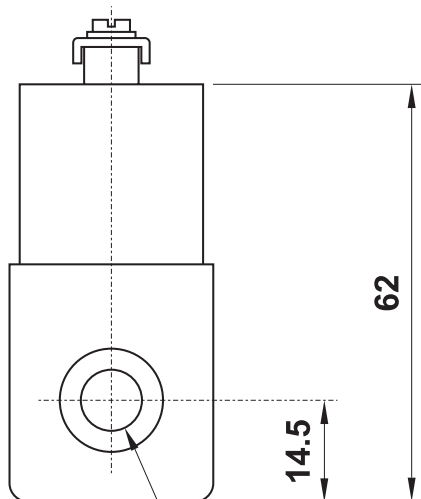
bobine antideflagranti

explosion proof coils



- Bobine antideflagranti EExm II T5 T4 a norma EN 50014 - EN 50028
EExm II T5 T4 explosion proof coils according to EN 50014 - EN 50028
- Adatte per ambienti potenzialmente esplosivi classe II
Suitable for potentially explosive environment class II
- Con certificato ATEX
With ATEX certification
- Dotate di cavo da 3 o 5 metri
With 3 or 5 metres cable

30 mm



| | | |
|------------------------------|----------------|--------------------------------|
| temperatura max di esercizio | +50°C | <i>max working temperature</i> |
| inserimento | ED 100% | <i>duty cycle</i> |
| consumo | 3W | <i>power consumption</i> |
| tolleranza sulla tensione | ±10% | <i>tension tolerance</i> |

| modello <i>model</i> | tensione <i>tension</i> | lunghezza cavo <i>cable length</i> |
|-------------------------|----------------------------|---------------------------------------|
| 00.284.0 | 24V DC | 3 m |
| 00.305.0 | 24V DC | 5 m |
| 00.332.0 | 24V 50/60Hz | 3 m |
| 00.393.0 | 24V 50/60Hz | 5 m |
| 00.333.0 | 110V 50/60Hz | 3 m |
| 00.336.0 | 110V 50/60Hz | 5 m |
| 00.392.0 | 220V 50/60Hz | 3 m |
| 00.370.0 | 220V 50/60Hz | 5 m |



basi per elettropiloti 15 mm

manifolds for 15 mm solenoid valves

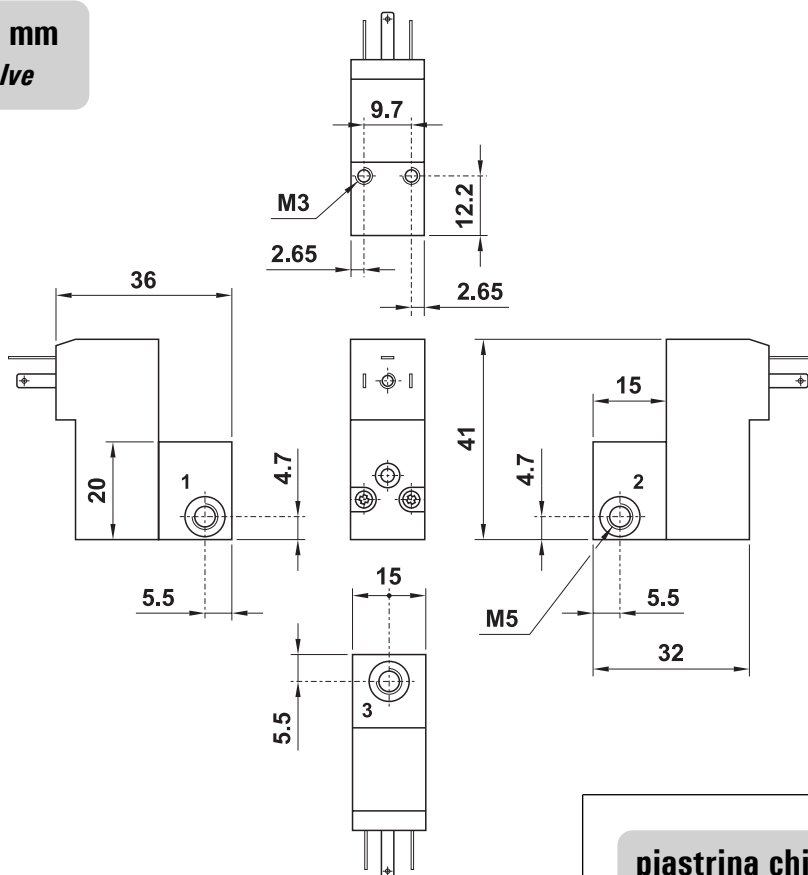


I codici qui riportati si riferiscono alla sola base. Gli elettropiloti devono essere ordinati separatamente (vedi pag. 102).

All here mentioned codes are referred only to manifolds. Solenoid valves are bought separately (see page 102).

base per elettropilota singolo NC 15 mm single manifold for 15 mm NC solenoid valve

AU.061.1

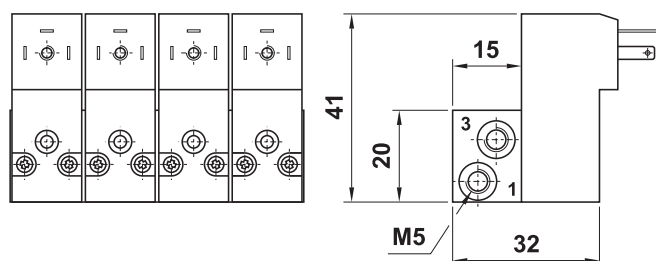
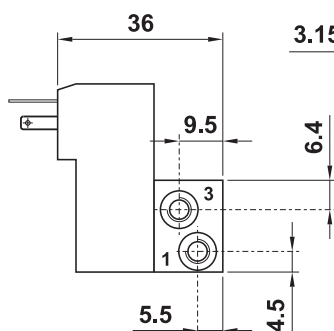
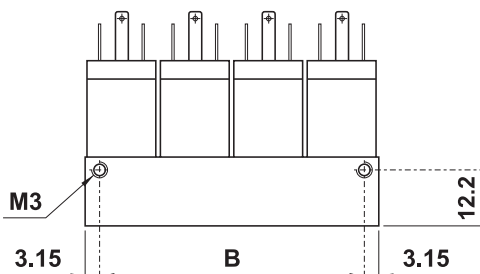
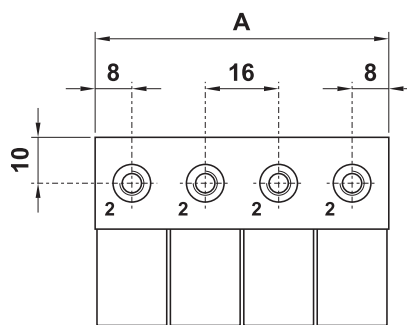


piastrina chiusura
blanking plate

00.093.2



basi a posti fissi per elettropiloti NC 15 mm manifolds for 15 mm NC solenoid valves



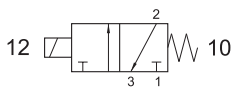
| modello model | nr. posizioni no. stations | A | B |
|------------------|-------------------------------|-----|-------|
| AU.062.1 | 2 | 32 | 25.7 |
| AU.063.1 | 3 | 48 | 41.7 |
| AU.064.1 | 4 | 64 | 57.7 |
| AU.065.1 | 5 | 80 | 73.7 |
| AU.066.1 | 6 | 96 | 89.7 |
| AU.067.1 | 7 | 112 | 105.7 |
| AU.068.1 | 8 | 128 | 121.7 |
| AU.069.1 | 9 | 144 | 137.7 |
| AU.070.1 | 10 | 160 | 153.7 |

elettropiloti e connettori 15 mm

15 mm solenoids and connectors



15 mm

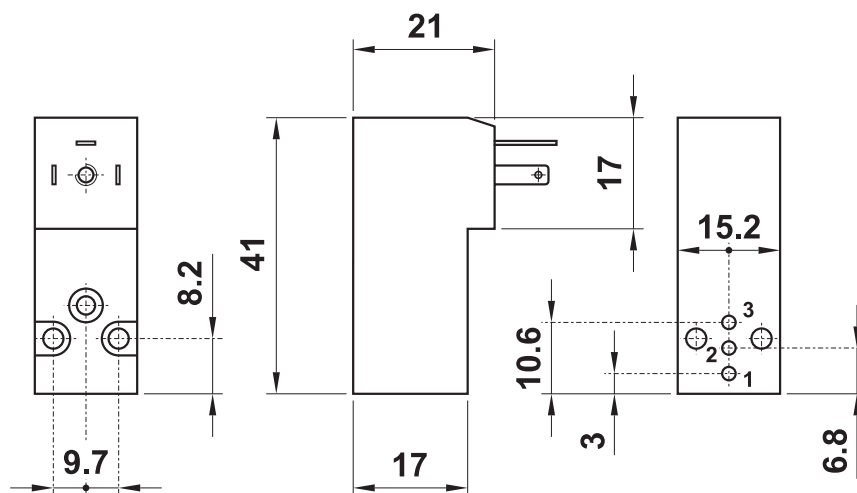


| | | |
|------------------------------|---------------------------|--------------------------------|
| funzione della valvola | 3/2 NC | <i>valve function</i> |
| diámetro nominale | 1.1 mm | <i>nominal orifice</i> |
| portata 1-2 | 30 NI/min | <i>flow rate 1-2</i> |
| portata 2-3 | 35 NI/min | <i>flow rate 2-3</i> |
| pressione di esercizio | max 10 bar | <i>working pressure</i> |
| durata cicli | 100x10⁶ | <i>life time (cycles)</i> |
| tempo di risposta | 10 ms | <i>response time</i> |
| temperatura max di esercizio | +50°C | <i>max working temperature</i> |
| inserimento | ED 100% | <i>duty cycle</i> |
| consumo a regime | DC: 2W | <i>rated power consumption</i> |
| | AC: 1.3VA | |
| protezione | IP 51 | <i>protection</i> |
| tolleranza di tensione | -10%; +15% | <i>tension tolerance</i> |

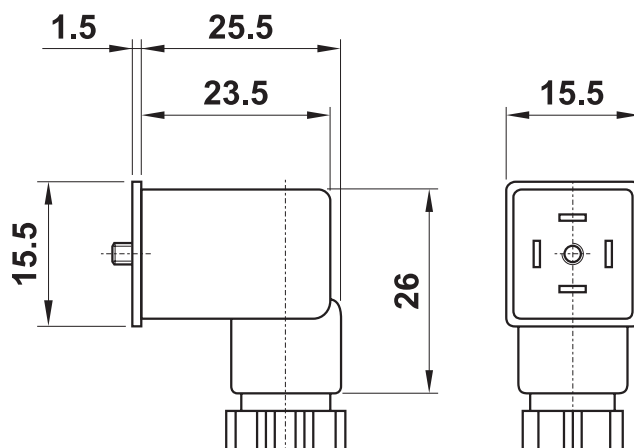


- Connessione elettrica: DIN 43650 forma C
Electrical connection: DIN 43650, C form
- Con azionatore manuale monostabile
With non-detented manual override

| codice <i>code</i> | tensione <i>tension</i> |
|-----------------------|----------------------------|
| 00.253.0 | 12V DC |
| 00.254.0 | 24V DC |
| 00.255.0 | 24V 50/60Hz |
| 00.256.0 | 110V 50/60Hz |
| 00.257.0 | 220V 50/60Hz |



| codice <i>code</i> | colore <i>colour</i> | cavo <i>cable</i> | tipo <i>type</i> |
|-----------------------|-----------------------------------|----------------------|--|
| 00.252.0 | nero <i>black</i> | PG07 | normale <i>standard</i> |
| 00.340.0 | trasparente <i>transparent</i> | PG07 | con LED 24V <i>with LED 24V</i> |
| 00.341.0 | trasparente <i>transparent</i> | PG07 | con LED 24V e VDR <i>with LED 24V and VDR</i> |
| 00.342.0 | trasparente <i>transparent</i> | PG07 | con LED 115V <i>with LED 115V</i> |
| 00.343.0 | trasparente <i>transparent</i> | PG07 | con LED 115V e VDR <i>with LED 115V and VDR</i> |
| 00.398.0 | trasparente <i>transparent</i> | PG07 | con LED 230V <i>with LED 230V</i> |
| 00.399.0 | trasparente <i>transparent</i> | PG07 | con LED 230V e VDR <i>with LED 230V and VDR</i> |



valvole ad azionamento elettropneumatico

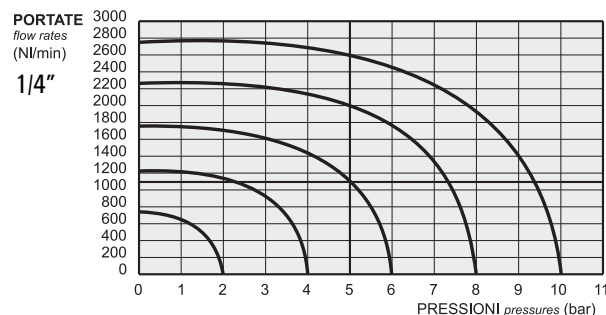
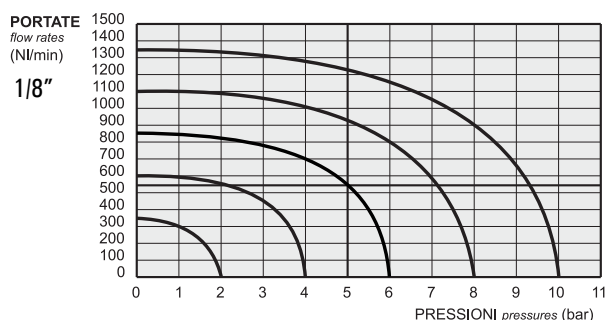
solenoid actuated valves



- Valvole a spola 3/2-5/2-5/3 con attacchi filettati G1/8"-G1/4"
3/2-5/2-5/3 spool valves with G1/8"-G1/4" threaded ports
- Montaggio in linea, su collettori multipli o su basi manifold
Installation in-line, on gang or modular manifolds
- Comandi elettrici con azionamento manuale bistabile
Solenoid pilots with detented manual override as standard
- A richiesta versione a basso assorbimento 1.5W
On request with low consumption 1.5W
- Esecuzioni speciali a richiesta
Special versions on request



I prodotti di seguito indicati sono venduti senza bobine, da acquistarsi separatamente (vedi pag. 121).
The following listed products are sold without coils, which are bought separately (refer to page 121).



Tempi di risposta - response times

| | 1/8" | 1/4" |
|-----------------------------------|------------------------------------|------------------------------------|
| monostabile <i>mono-stable</i> | TRA (14): 15 ms TRR (12): 35 ms | TRA (14): 19 ms TRR (12): 45 ms |
| bistabile <i>bi-stable</i> | TRA (14): 20 ms TRR (12): 20 ms | TRA (14): 22 ms TRR (12): 22 ms |

Materiali

Corpo: alluminio 11S

Molle: INOX

Guarnizioni: NBR

Spola: alluminio nichelato

Parti interne: ottone OT58

Materials

Body: aluminium 11S

Springs: stainless steel

Seals: NBR

Spool: nickel plated aluminium

Internal parts: brass OT58

| | | | |
|--|---|--|---|
| Diametro nominale <i>Nominal orifice</i> | 1/8": 5 mm 1/4": 7.5 mm | | |
| Temperatura di esercizio <i>Temperature range</i> | max +60°C | | |
| Pressione di esercizio <i>Working pressure</i> | al. interna monost. [<i>monost. internal air supply</i>] | al. interna bist. [<i>bi-stable internal air supply</i>] | alim. separata [<i>separate air supply</i>] |
| | 2.5 ... 10 bar 0.25 ... 1 MPa | 1 ... 10 bar 0.1 ... 1 MPa | max 10 bar max 1 MPa |
| Pressione di azionamento (per alimentazione separata) <i>Actuating pressure (for separate air supply)</i> | monostabile [<i>mono-stable</i>] | | bistabile [<i>bi-stable</i>] |
| | 2.5 ... 10 bar 0.25 ... 1 MPa | | 1 ... 10 bar 0.1 ... 1 MPa |
| Fluido <i>Fluid</i> | Aria filtrata 50µ con o senza lubrificazione <i>50µ filtered, lubricated or non lubricated air</i> | | |

valvole ad azionamento elettropneumatico

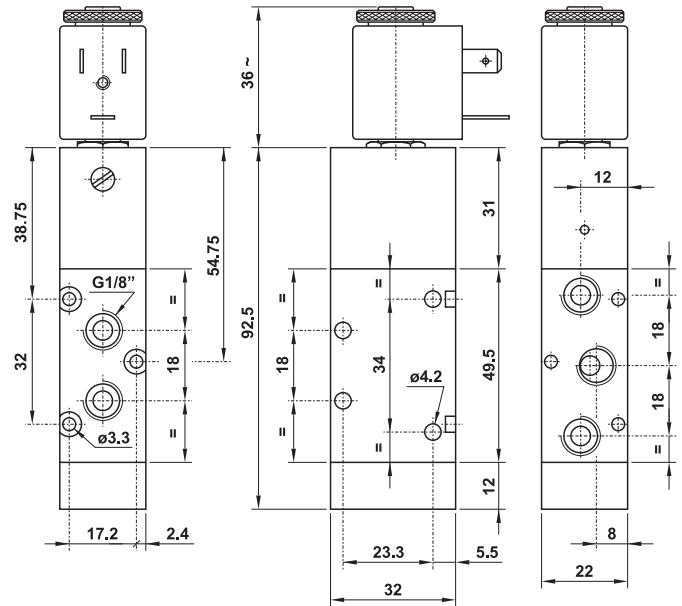
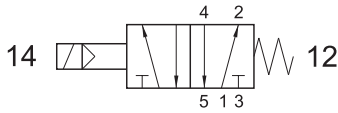
solenoid actuated valves



521 ME

5/2 1/8" comando elettrico - ritorno a molla

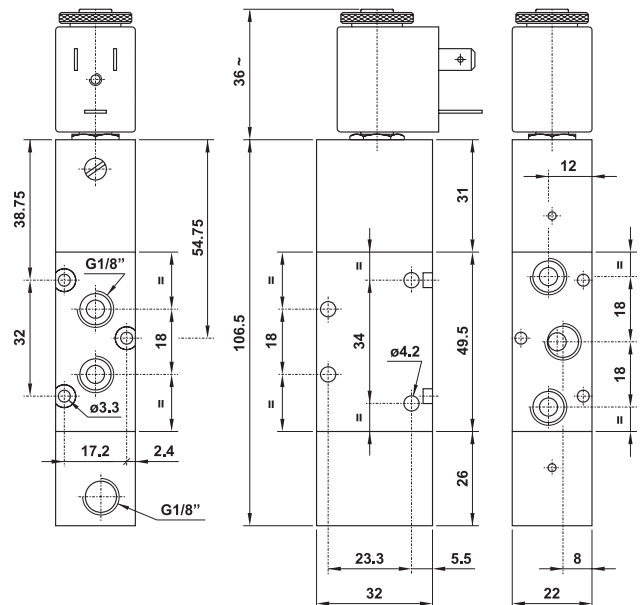
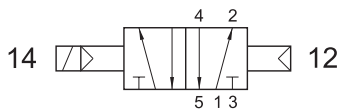
5/2 1/8" solenoid pilot - spring return



521 CE

5/2 1/8" comando elettrico - ritorno a comando pneumatico

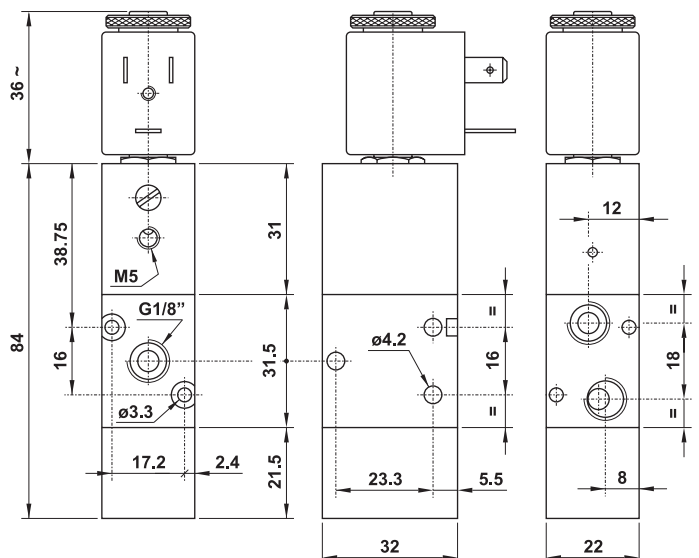
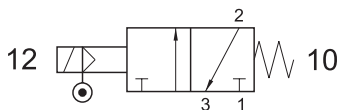
5/2 1/8" solenoid pilot - separate pneumatically piloted return



321 ME AS

3/2 1/8" comando elettrico alimentazione separata - ritorno a molla

3/2 1/8" solenoid pilot with separate air supply - spring return



valvole ad azionamento elettropneumatico

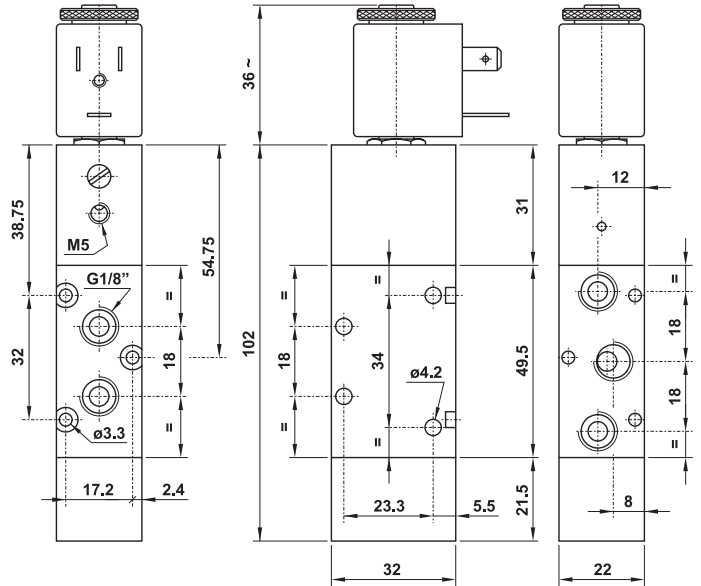
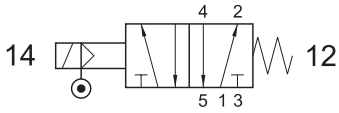
solenoid actuated valves



521 ME AS

5/2 1/8" comando elettrico alimentazione separata - ritorno a molla

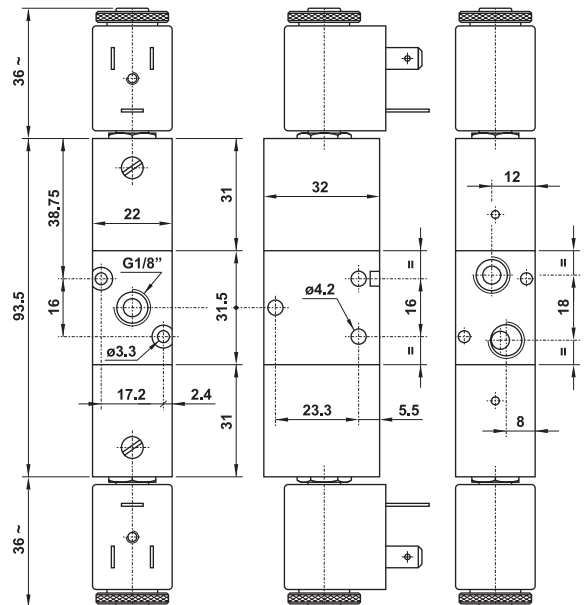
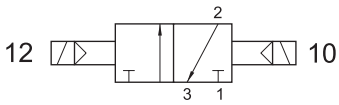
5/2 1/8" solenoid pilot with separate air supply - spring return



321 EE

3/2 1/8" doppio comando elettrico

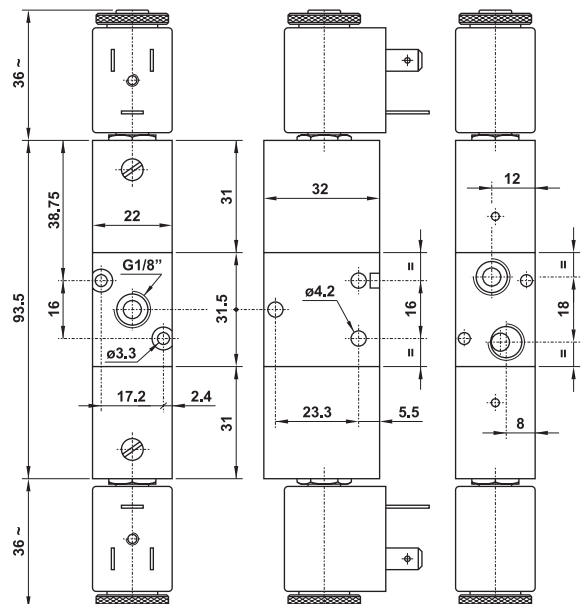
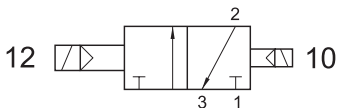
3/2 1/8" double solenoid pilot



321 EED

3/2 1/8" doppio comando elettrico - con differenziale

3/2 1/8" double solenoid pilot - with differential



valvole ad azionamento elettropneumatico

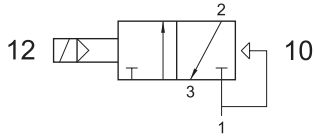
solenoid actuated valves



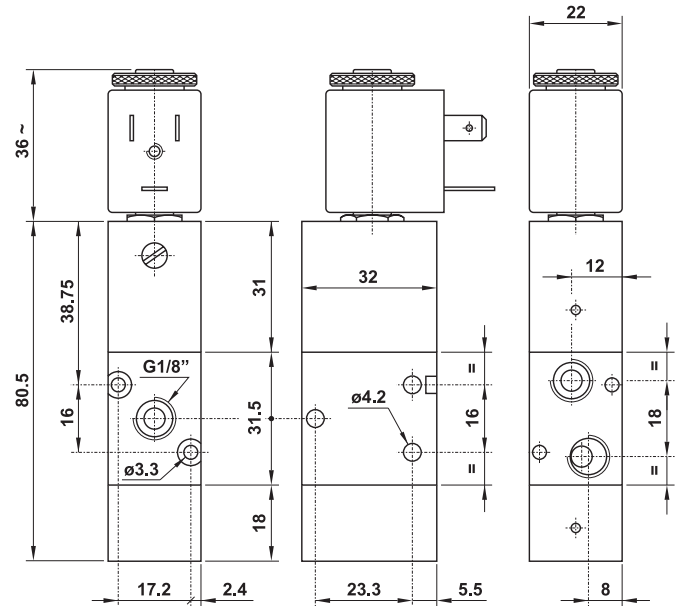
321 EFP

3/2 1/8" NC comando elettrico - ritorno a molla pneumatica

3/2 1/8" NC solenoid pilot - pneumatic spring return



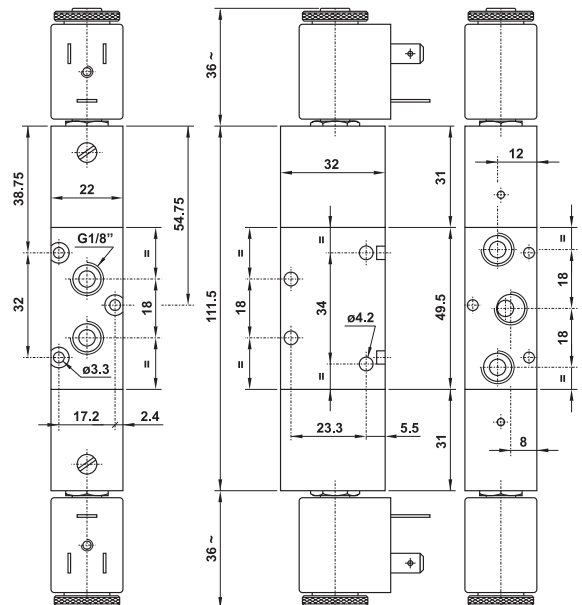
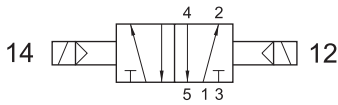
Non può essere utilizzata come valvola normalmente aperta.
It cannot be used as normally open valve.



521 EE

5/2 1/8" doppio comando elettrico

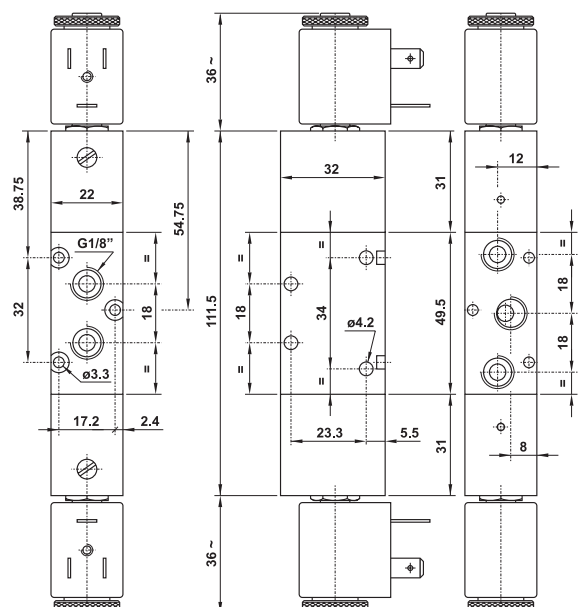
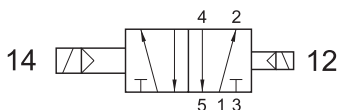
5/2 1/8" double solenoid pilot



521 EED

5/2 1/8" doppio comando elettrico - con differenziale

5/2 1/8" double solenoid pilot - with differential



valvole ad azionamento elettropneumatico

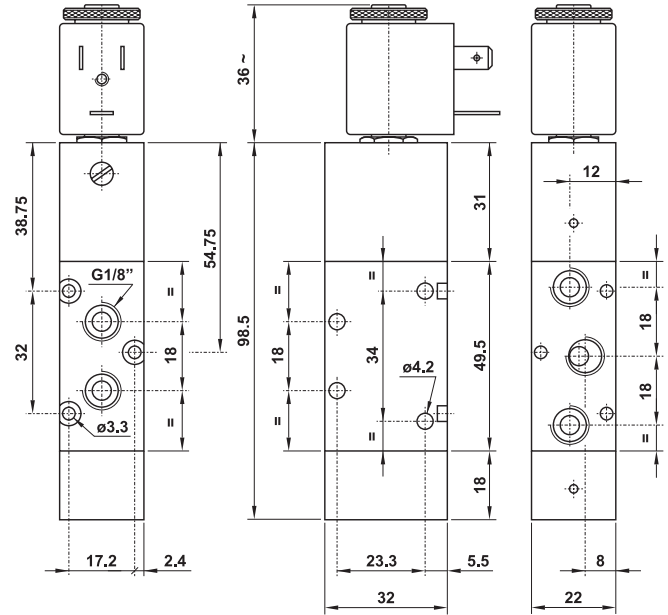
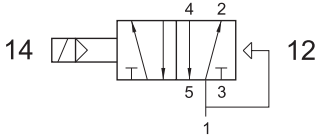
solenoid actuated valves



521 EFP

5/2 1/8" comando elettrico - ritorno a molla pneumatica

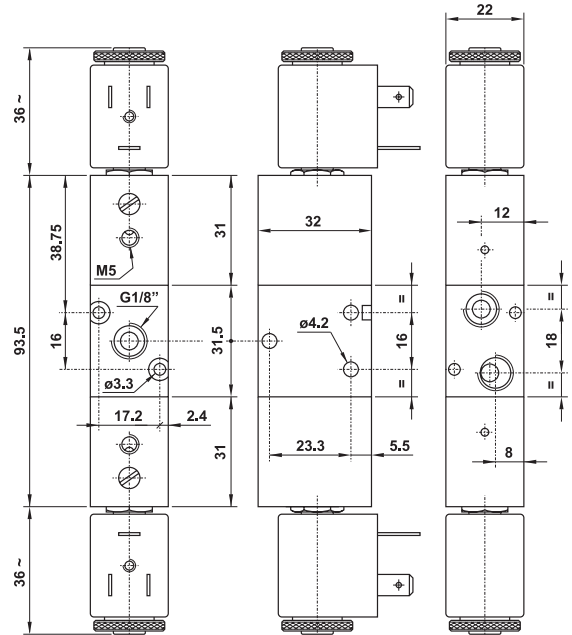
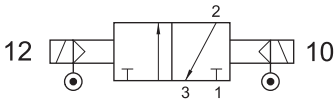
5/2 1/8" solenoid pilot - pneumatic spring return



321 EE AS

3/2 1/8" doppio comando elettrico alimentazione separata

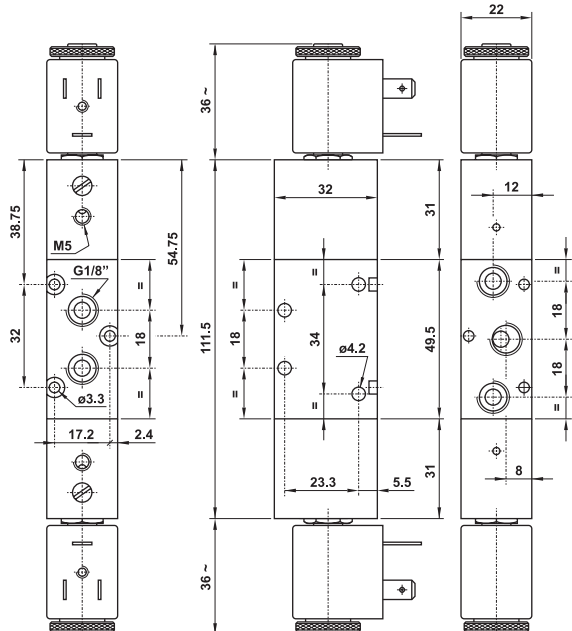
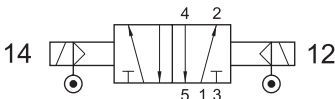
3/2 1/8" double solenoid pilot with separate air supply



521 EE AS

5/2 1/8" doppio comando elettrico alimentazione separata

5/2 1/8" double solenoid pilot with separate air supply



valvole ad azionamento elettropneumatico

solenoid actuated valves



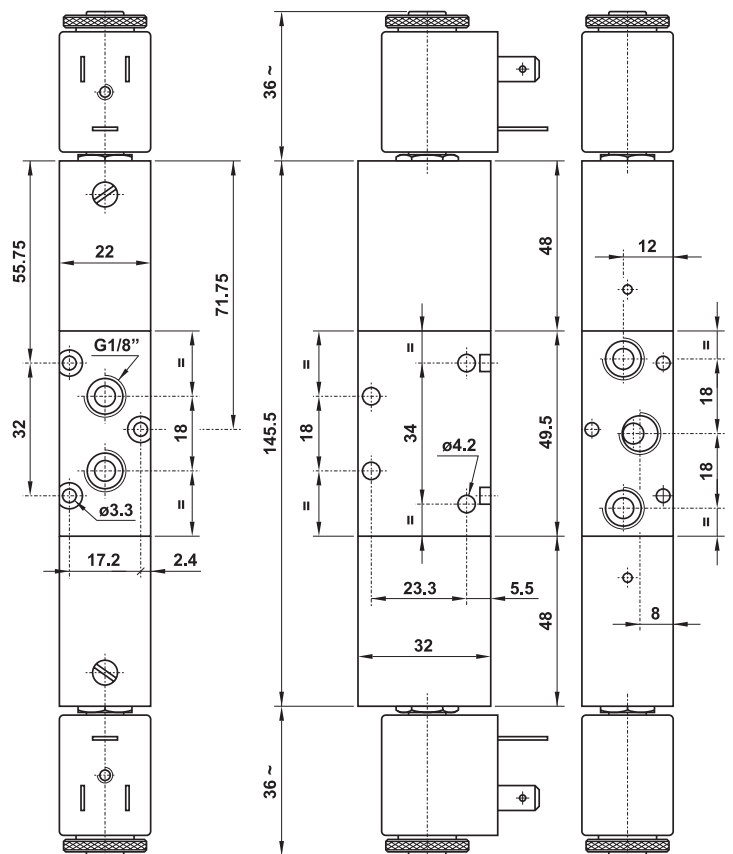
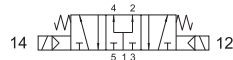
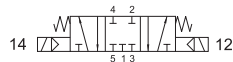
5213C EE centri chiusi
closed centres

5213A EE centri aperti
open centres

5213P EE centri in pressione
pressurized centres

5/3 1/8" doppio comando elettrico

5/3 1/8" double solenoid pilot



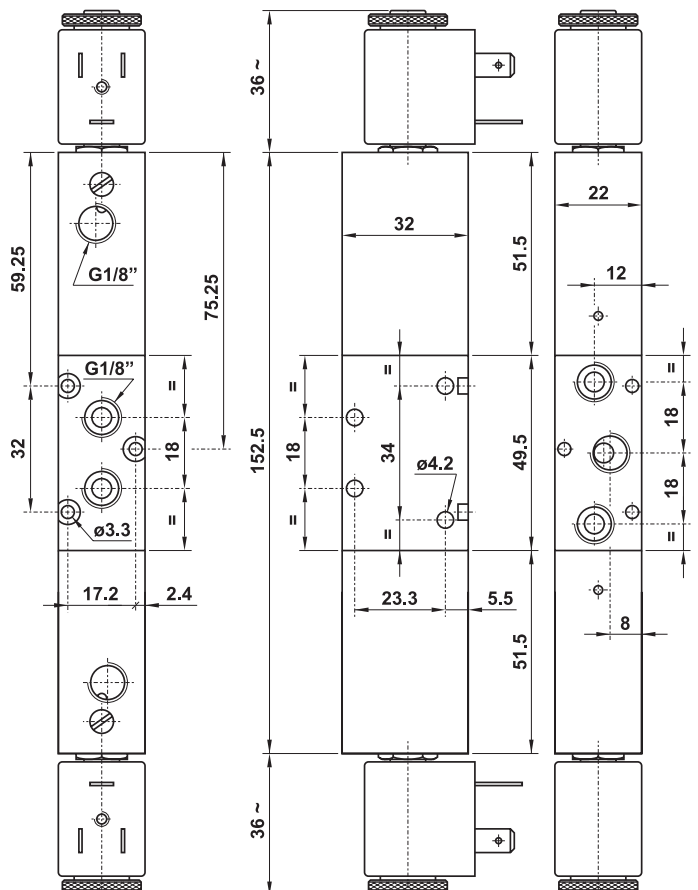
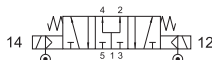
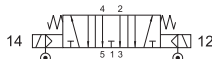
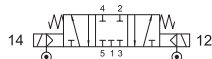
5213C EE AS centri chiusi
closed centres

5213A EE AS centri aperti
open centres

5213P EE AS centri in pressione
pressurized centres

5/3 1/8" doppio comando elettrico alimentazione separata

5/3 1/8" double solenoid pilot with separate air supply



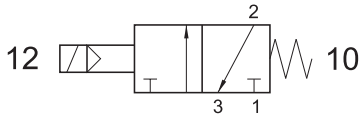
valvole ad azionamento elettropneumatico

solenoid actuated valves

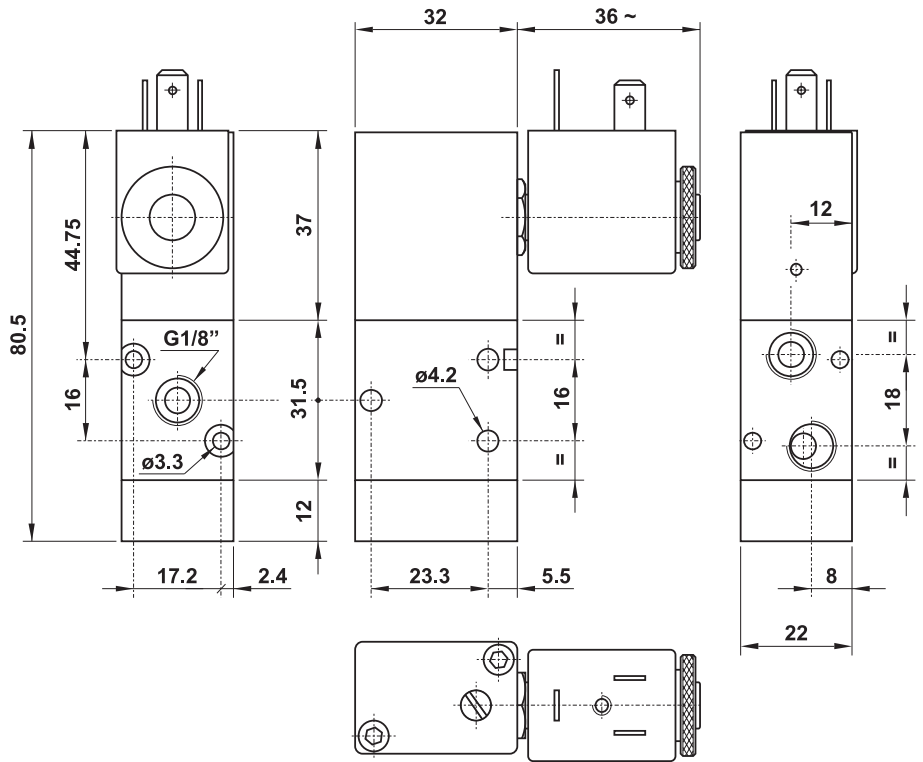


321 ME90 S

3/2 1/8" NC comando elettrico 90° sul lato stretto - ritorno a molla
3/2 1/8" NC 90° solenoid pilot on the narrow side for compact assembly - spring return

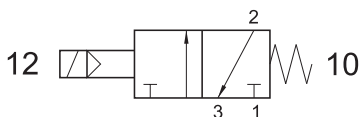


Non può essere utilizzata come valvola normalmente aperta.
It cannot be used as normally open valve.

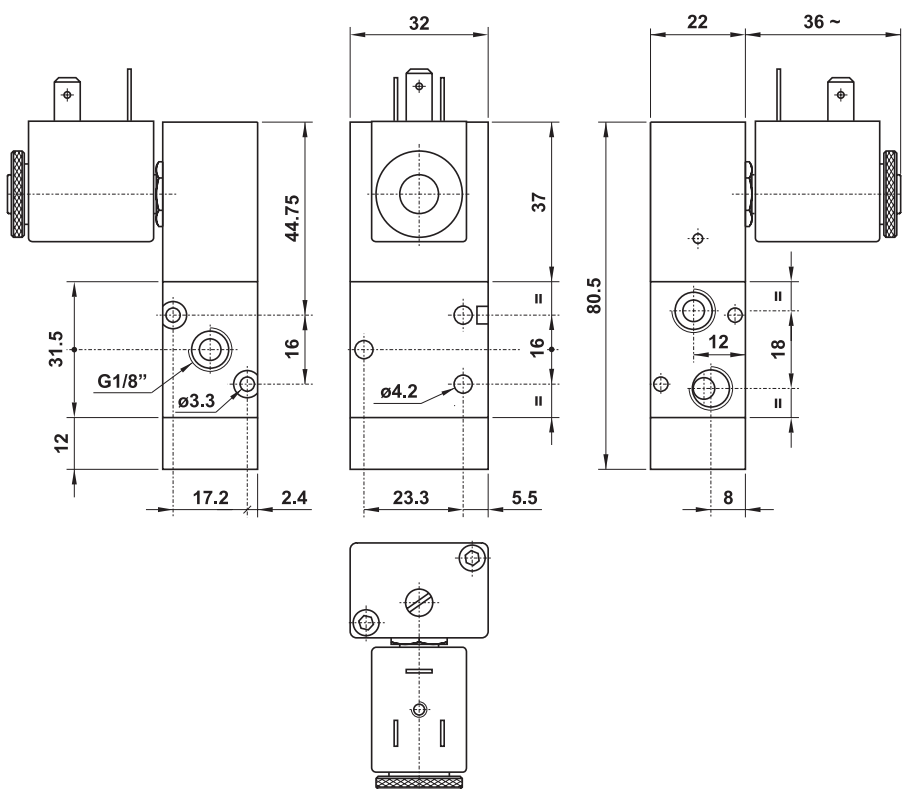


321 ME90 L

3/2 1/8" NC comando elettrico 90° sul lato largo - ritorno a molla
3/2 1/8" NC 90° solenoid pilot on the wide side - spring return



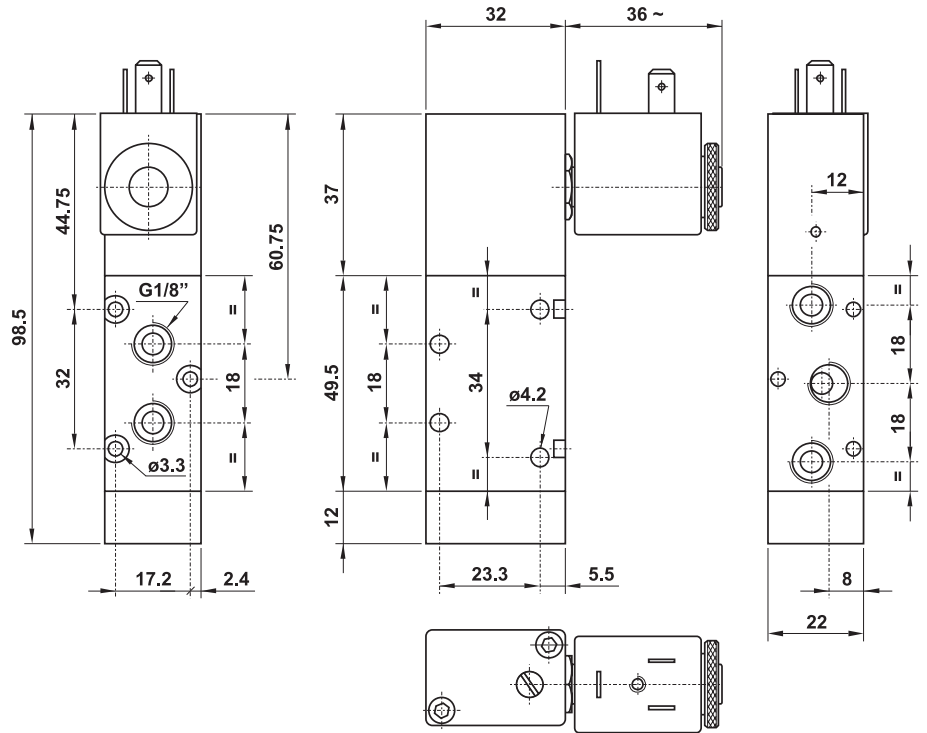
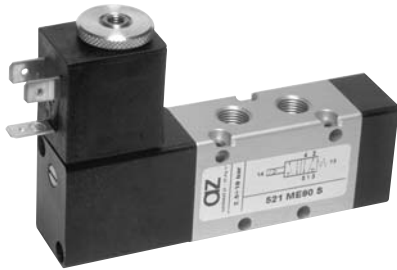
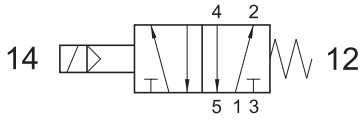
Non può essere utilizzata come valvola normalmente aperta.
It cannot be used as normally open valve.



521 ME90 S

5/2 1/8" comando elettrico 90° sul lato stretto - ritorno a molla

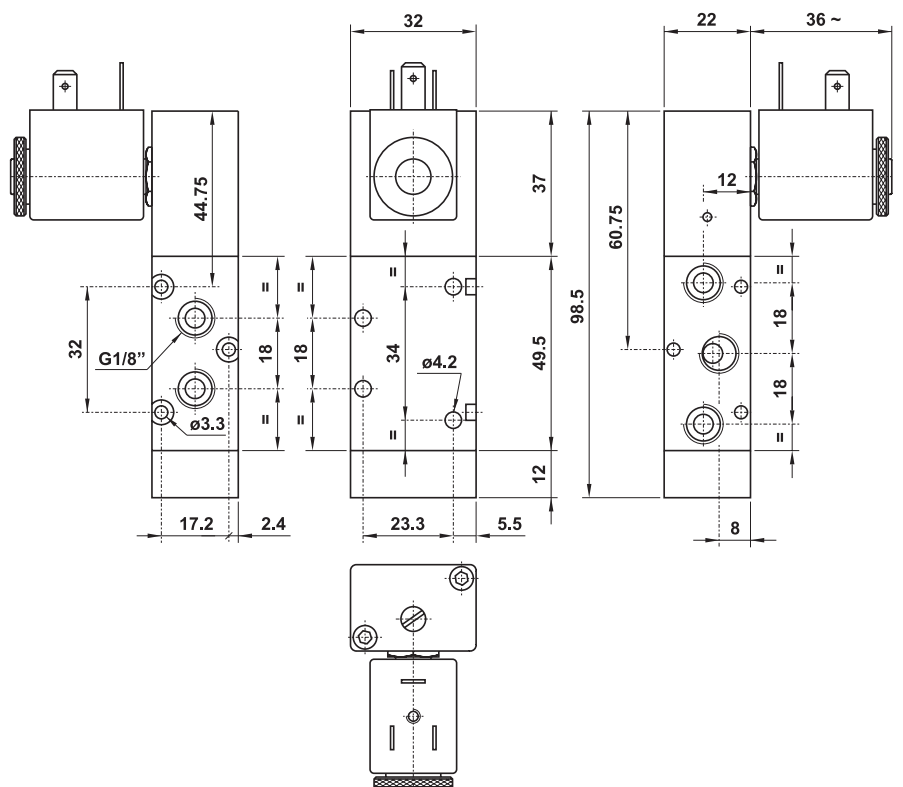
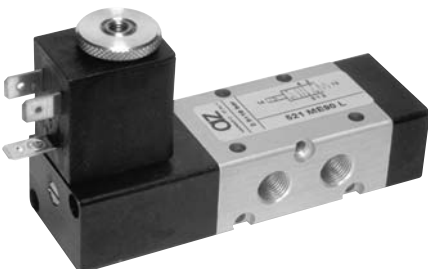
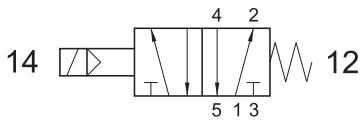
5/2 1/8" 90° solenoid pilot on the narrow side for compact assembly - spring return



521 ME90 L

5/2 1/8" comando elettrico 90° sul lato largo - ritorno a molla

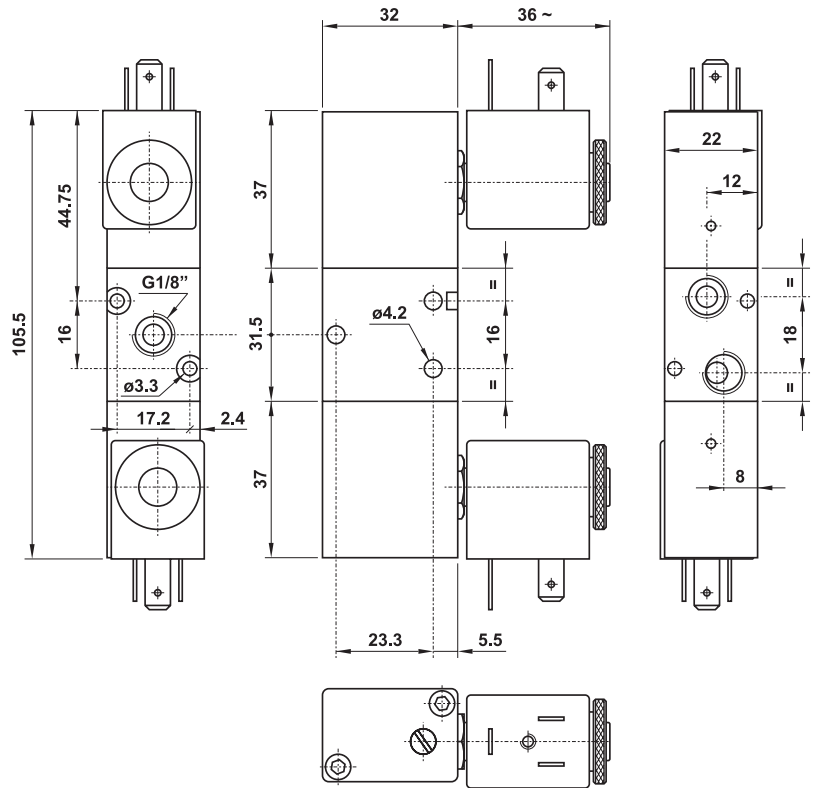
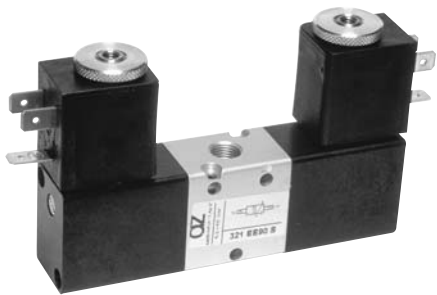
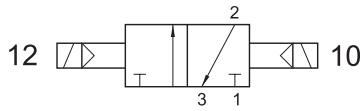
5/2 1/8" 90° solenoid pilot on the wide side - spring return



321 EE90 S

3/2 1/8" doppio comando elettrico 90° sul lato stretto

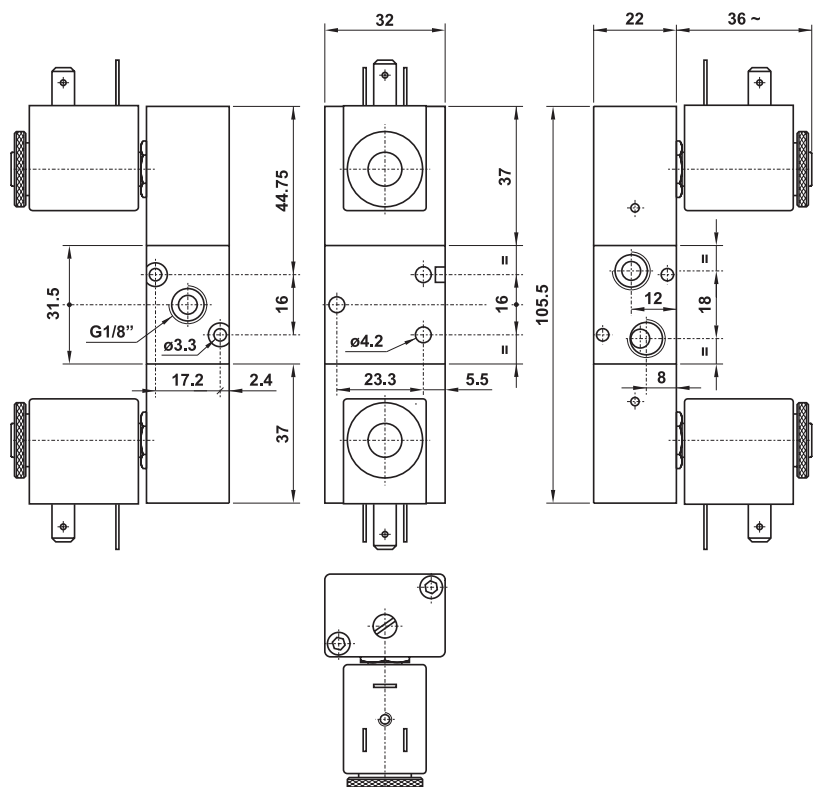
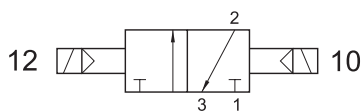
3/2 1/8" 90° double solenoid pilot on the narrow side for compact assembly



321 EE90 L

3/2 1/8" doppio comando elettrico 90° sul lato largo

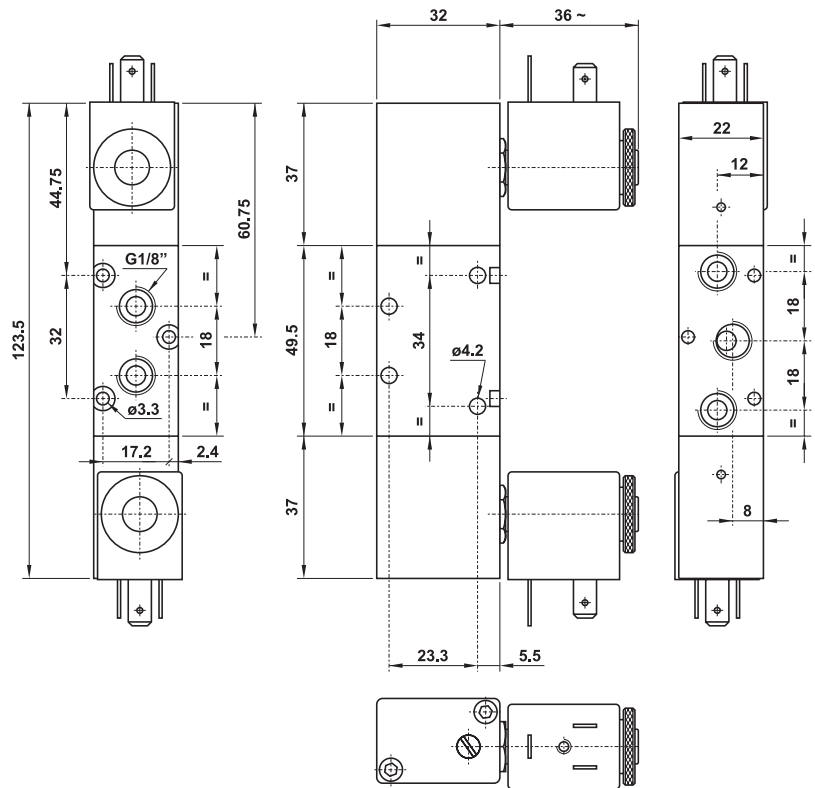
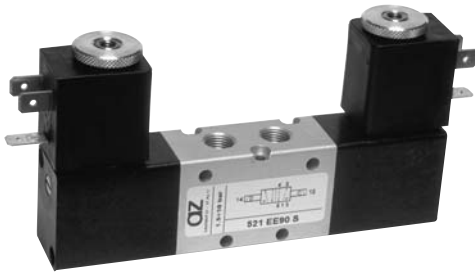
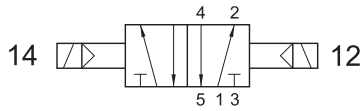
3/2 1/8" 90° double solenoid pilot on the wide side



521 EE90 S

5/2 1/8" doppio comando elettrico 90° sul lato stretto

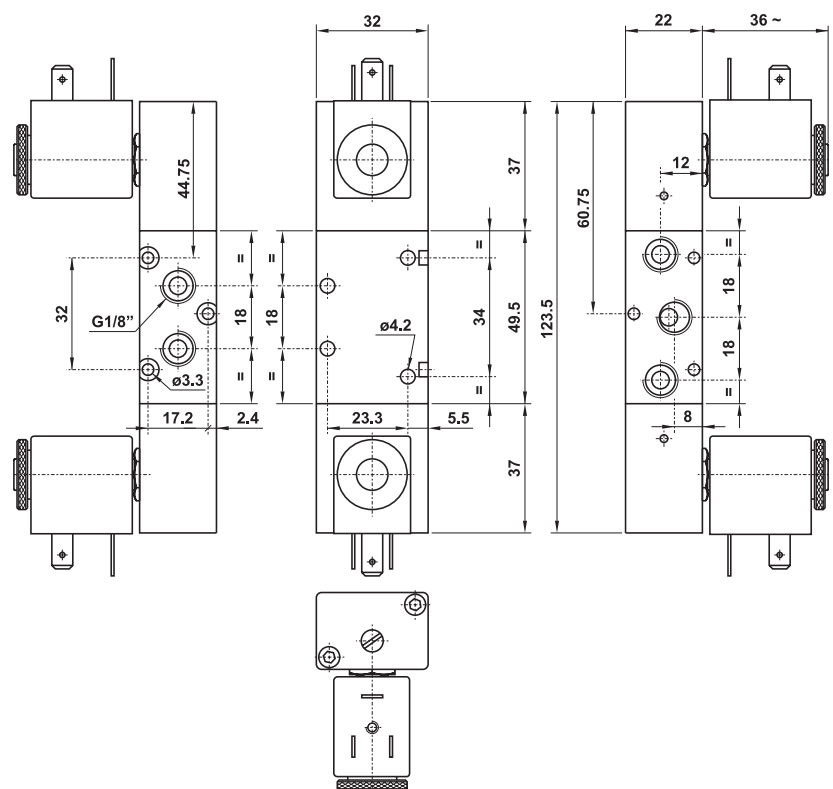
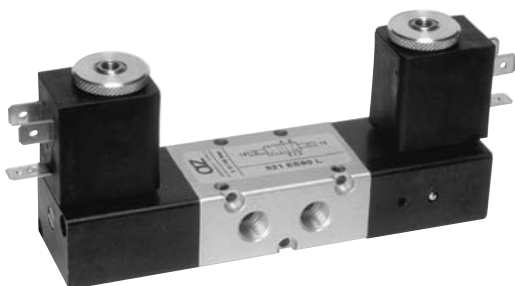
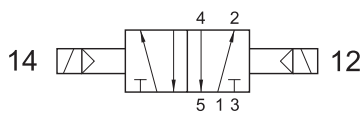
5/2 1/8" 90° double solenoid pilot on the narrow side for compact assembly



521 EE90 L

5/2 1/8" doppio comando elettrico 90° sul lato largo

5/2 1/8" 90° double solenoid pilot on the wide side



valvole ad azionamento elettropneumatico

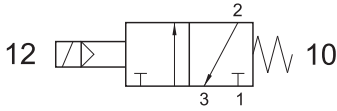
solenoid actuated valves



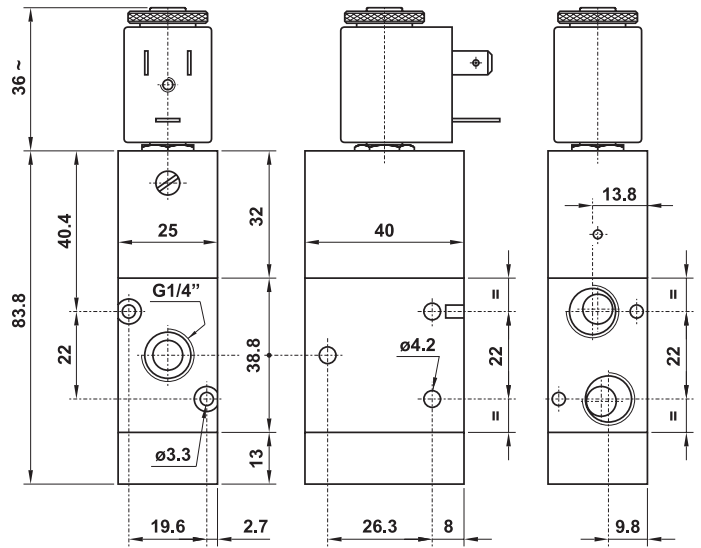
322 ME

3/2 1/4" NC comando elettrico - ritorno a molla

3/2 1/4" NC solenoid pilot - spring return



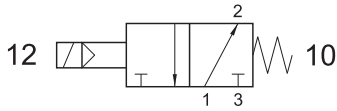
Non può essere utilizzata come valvola normalmente aperta.
It cannot be used as normally open valve.



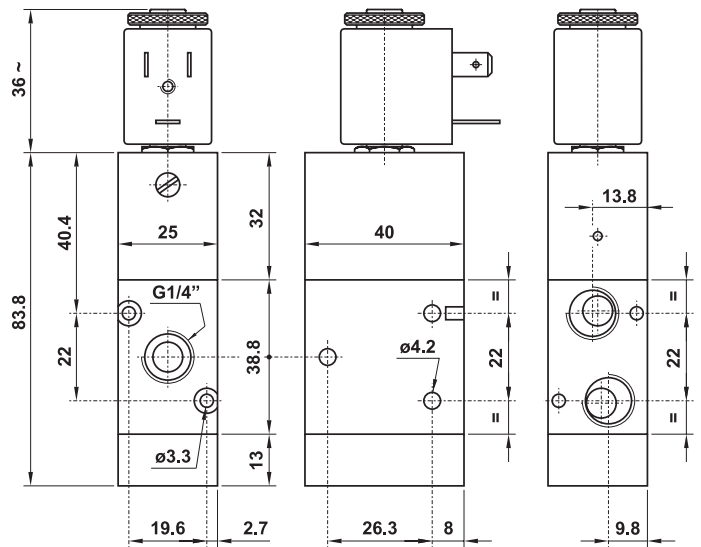
322 MEA

3/2 1/4" NA comando elettrico - ritorno a molla

3/2 1/4" NO solenoid pilot - spring return



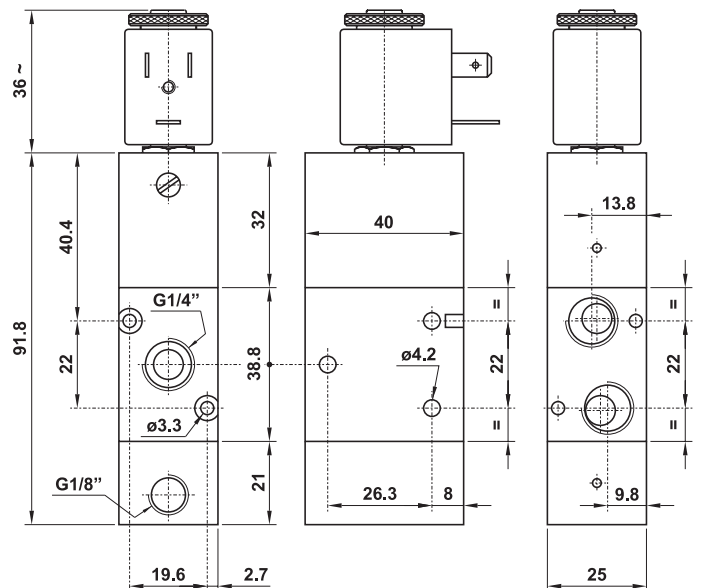
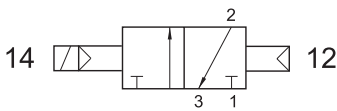
Non può essere utilizzata come valvola normalmente chiusa.
It cannot be used as normally closed valve.



322 CE

3/2 1/4" comando elettrico - ritorno a comando pneumatico

3/2 1/4" solenoid pilot - separate pneumatically piloted return



valvole ad azionamento elettropneumatico

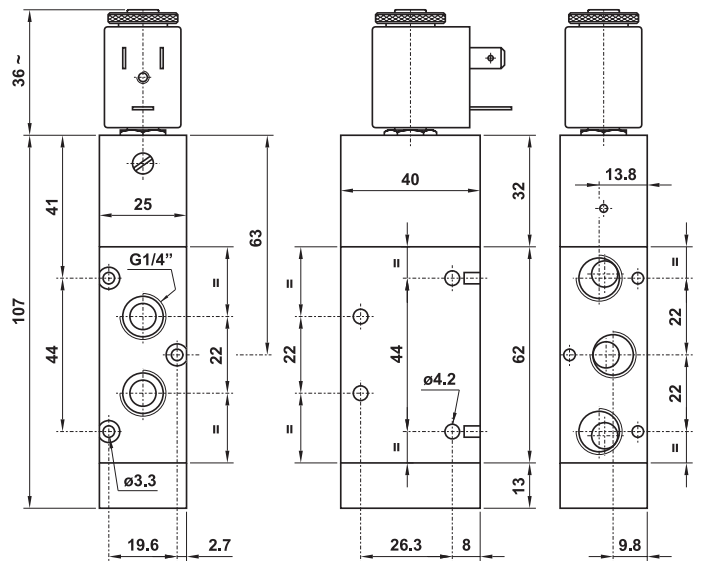
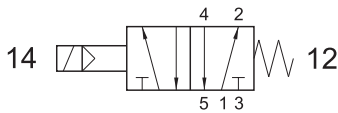
solenoid actuated valves



522 ME

5/2 1/4" comando elettrico - ritorno a molla

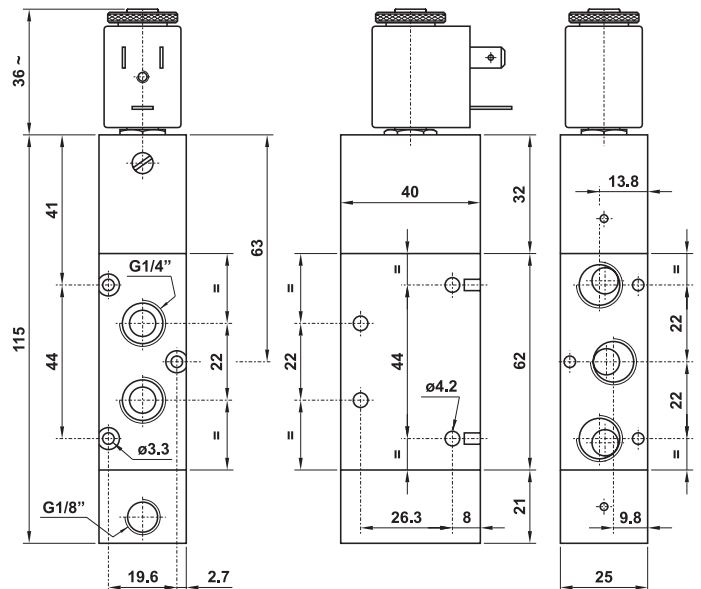
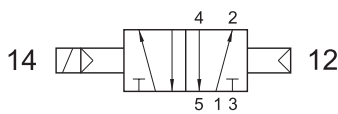
5/2 1/4" solenoid pilot - spring return



522 CE

5/2 1/4" comando elettrico - ritorno a comando pneumatico

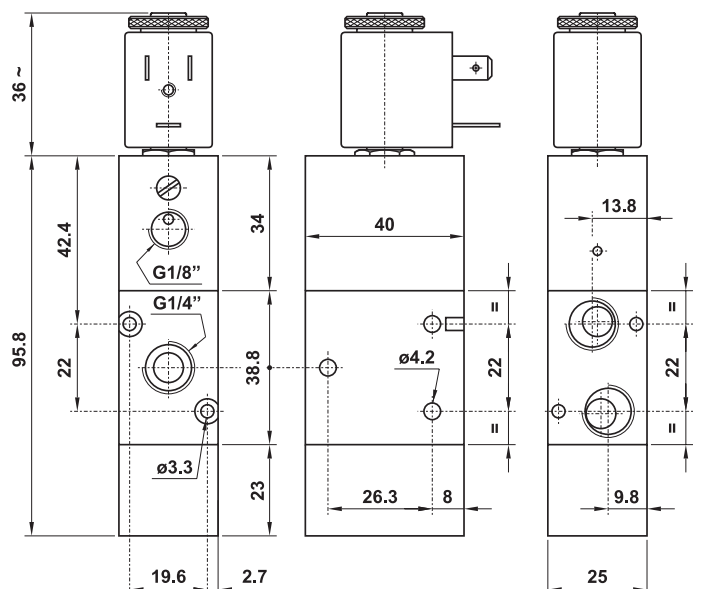
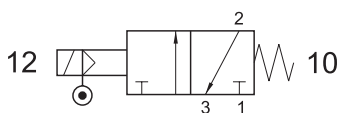
5/2 1/4" solenoid pilot - separate pneumatically piloted return



322 ME AS

3/2 1/4" comando elettrico alimentazione separata - ritorno a molla

3/2 1/4" solenoid pilot with separate air supply - spring return



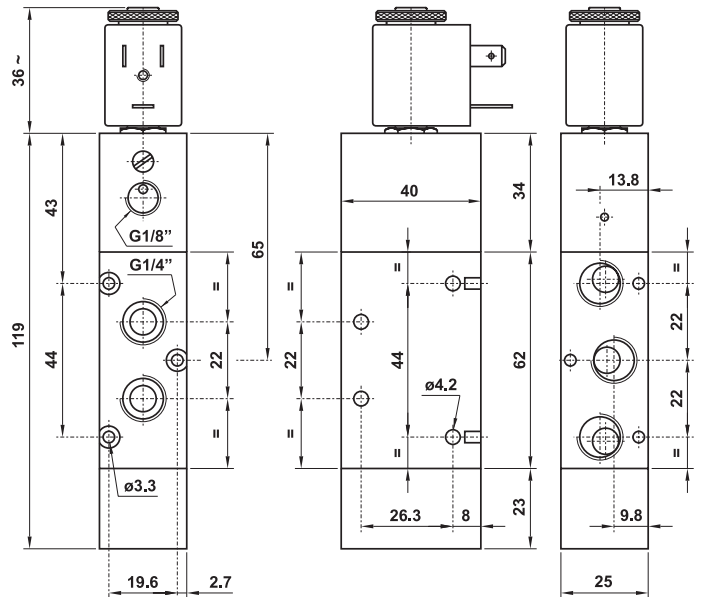
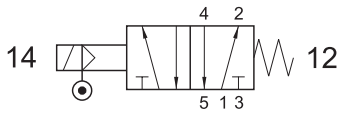
valvole ad azionamento elettropneumatico

solenoid actuated valves



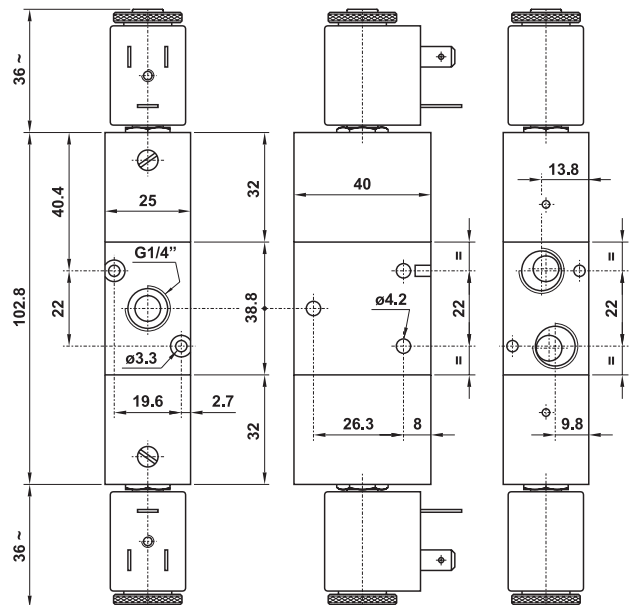
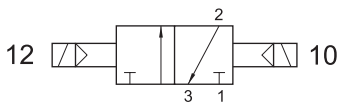
522 ME AS

5/2 1/4" comando elettrico alimentazione separata - ritorno a molla
 5/2 1/4" solenoid pilot with separate air supply - spring return



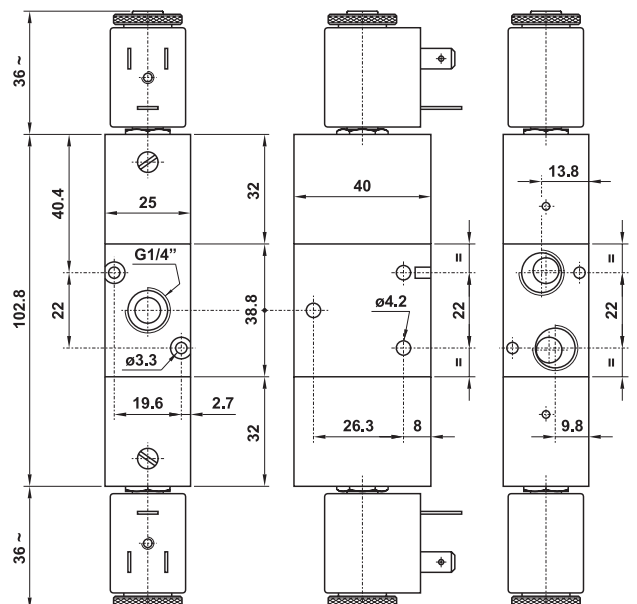
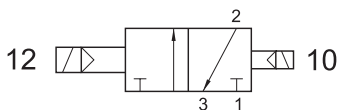
322 EE

3/2 1/4" doppio comando elettrico
 3/2 1/4" double solenoid pilot



322 EED

3/2 1/4" doppio comando elettrico - con differenziale
 3/2 1/4" double solenoid pilot - with differential



valvole ad azionamento elettropneumatico

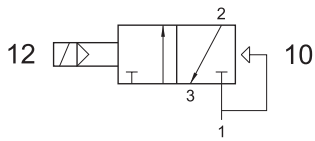
solenoid actuated valves



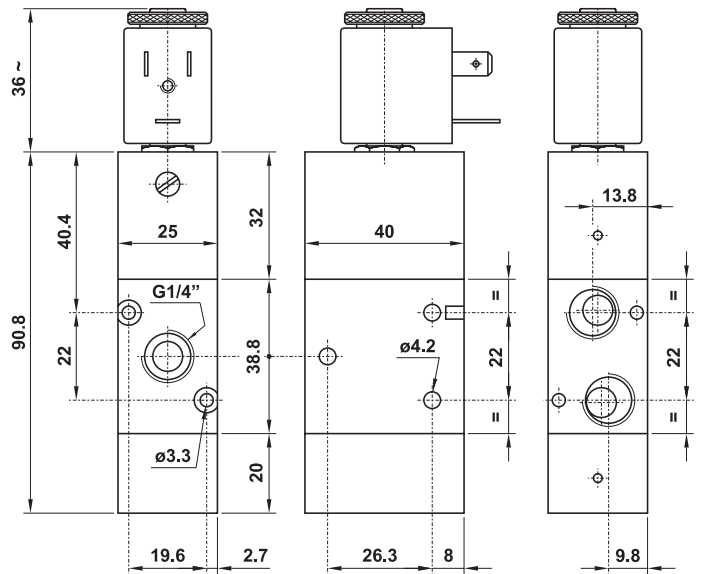
322 EFP

3/2 1/4" NC comando elettrico - ritorno a molla pneumatica

3/2 1/4" NC solenoid pilot - pneumatic spring return



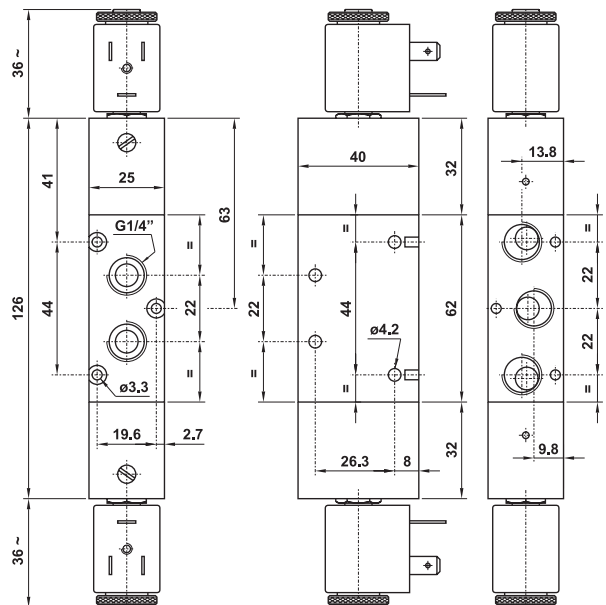
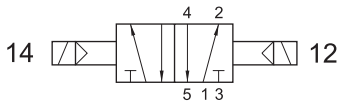
Non può essere utilizzata come valvola normalmente aperta.
It cannot be used as normally open valve.



522 EE

5/2 1/4" doppio comando elettrico

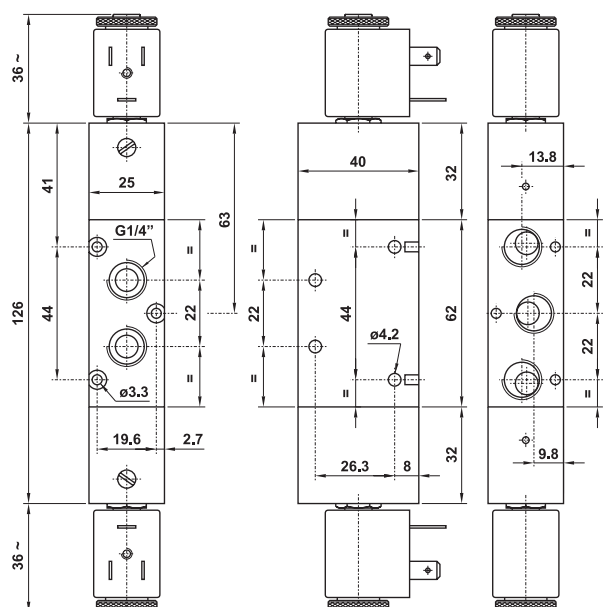
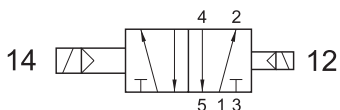
5/2 1/4" double solenoid pilot



522 EED

5/2 1/4" doppio comando elettrico - con differenziale

5/2 1/4" double solenoid pilot - with differential



valvole ad azionamento elettropneumatico

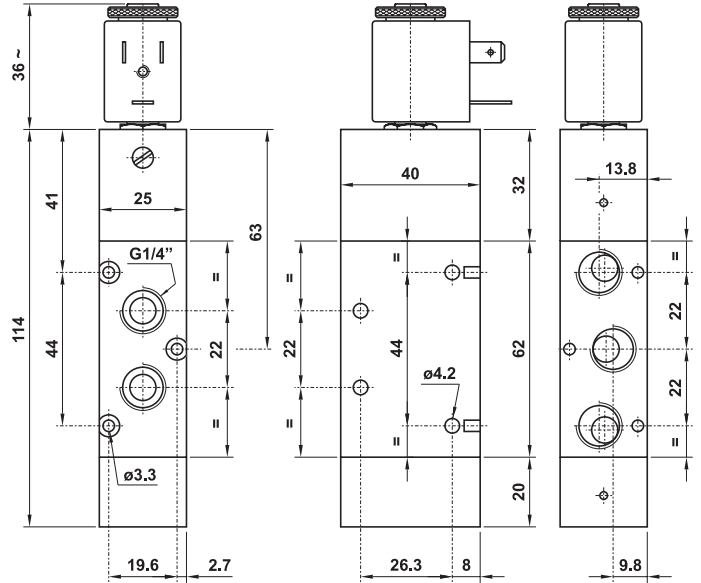
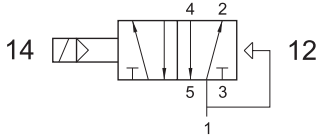
solenoid actuated valves



522 EFP

5/2 1/4" comando elettrico - ritorno a molla pneumatica

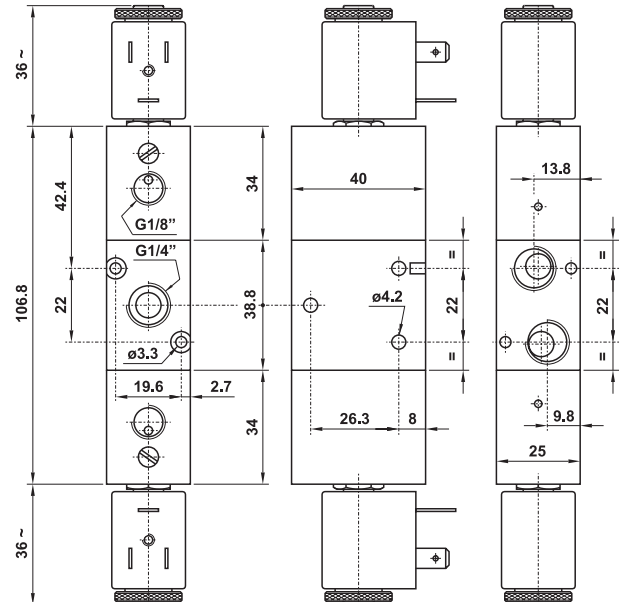
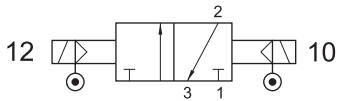
5/2 1/4" solenoid pilot - pneumatic spring return



322 EE AS

3/2 1/4" doppio comando elettrico alimentazione separata

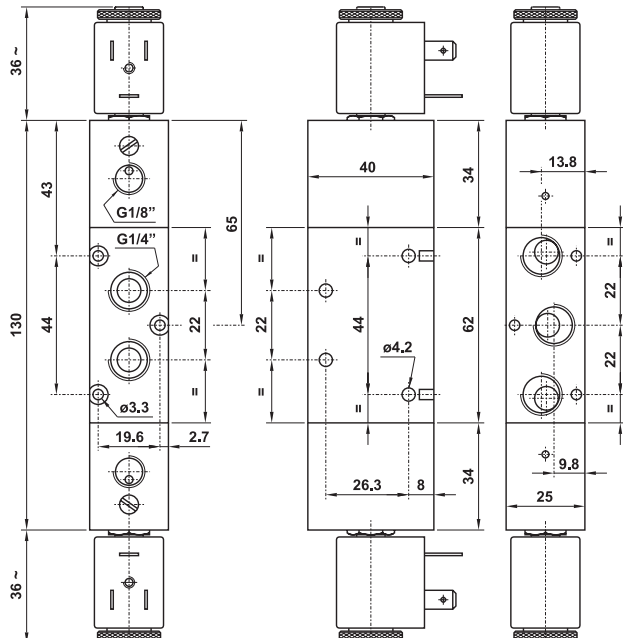
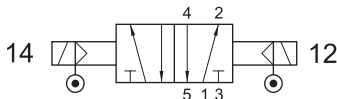
3/2 1/4" double solenoid pilot with separate air supply



522 EE AS

5/2 1/4" doppio comando elettrico alimentazione separata

5/2 1/4" double solenoid pilot with separate air supply



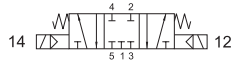
valvole ad azionamento elettropneumatico

solenoid actuated valves



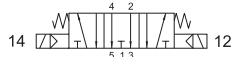
5223C EE

centri chiusi
closed centres



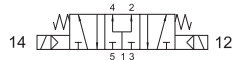
5223A EE

centri aperti
open centres



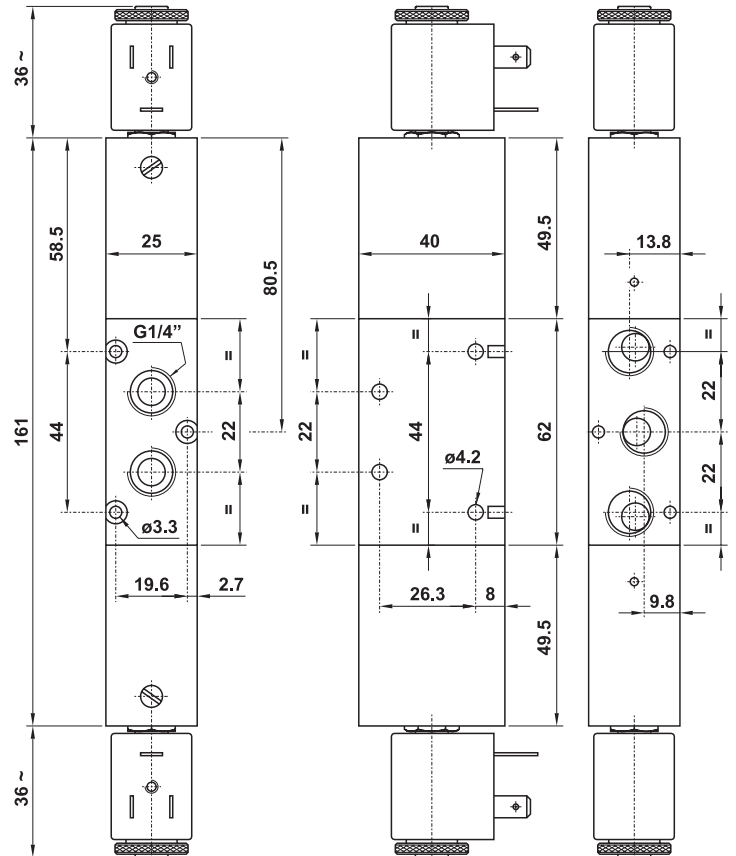
5223P EE

centri in pressione
pressurized centres



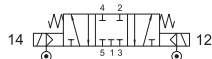
5/3 1/4" doppio comando elettrico

5/3 1/4" double solenoid pilot



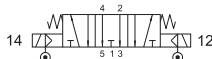
5223C EE AS

centri chiusi
closed centres



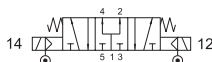
5223A EE AS

centri aperti
open centres



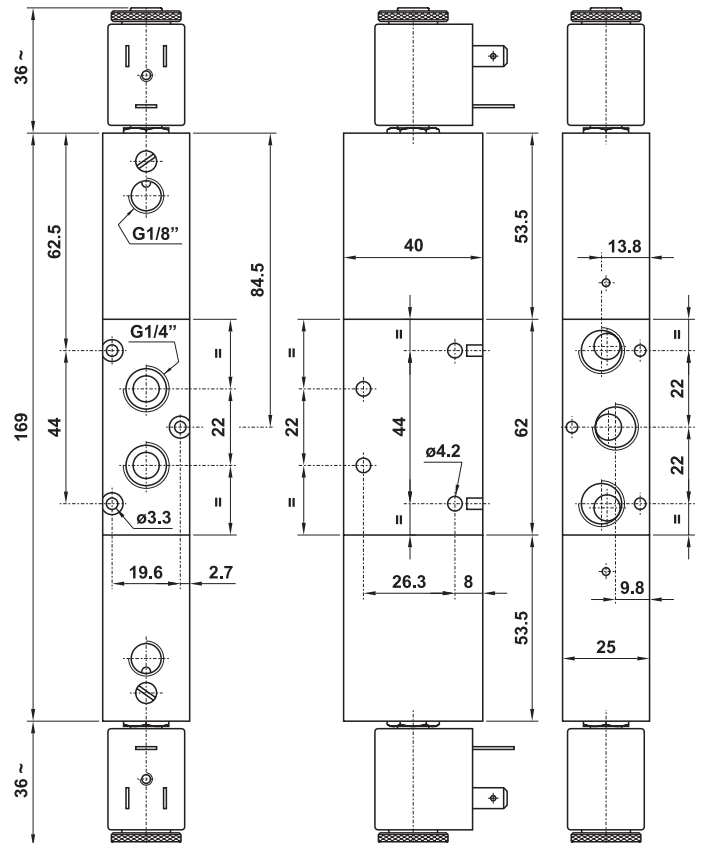
5223P EE AS

centri in pressione
pressurized centres



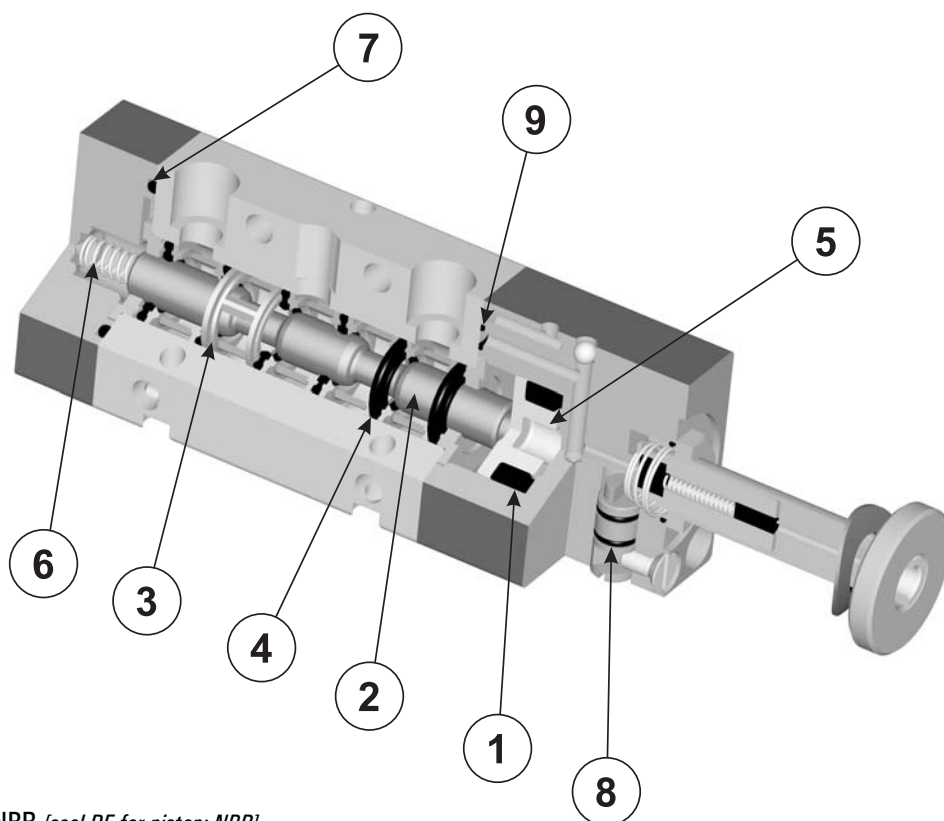
5/3 1/4" doppio comando elettrico alimentazione separata

5/3 1/4" double solenoid pilot with separate air supply



ricambi per valvole a spola

spare parts for spool valves



1. Guarnizione DE per pistone: NBR [seal DE for piston: NBR]
2. Spola: alluminio 11S nichelato [spool: aluminium 11S, nickeled]
3. Distanziale cassetto: ottone [brass]
4. Guarnizione cassetto: NBR [seal for spool: NBR]
5. Pistone per comando spola: delrin [piston to actuate the spool: delrin]
6. Molla: acciaio [spring: steel]
7. Guarnizione O-Ring: NBR
8. Guarnizione O-Ring 4x1: NBR
9. Guarnizione O-Ring sagomato: NBR [shaped O-Ring: NBR]

| codice kit code of kit | utilizzabile per suitable for | | |
|---------------------------|----------------------------------|------------|------------|
| 00.036.2 | 321 MC | 321 MCA | 321 ME |
| | 321 MEA | 321 ME90 S | 321 ME90 L |
| 00.039.2 | 521 MC | 521 ME | 521 ME90 S |
| | 521 ME90 L | | |
| 00.037.2 | 321 CC | 321 EE | 321 CE |
| | 321 EE AS | 321 EE90 S | 321 EE90 L |
| 00.040.2 | 521 CC | 521 EE | 521 CE |
| | 521 EE AS | 521 EE90 S | 521 EE90 L |
| 01.014.2 | 322 MC | 322 MC SUP | 322 MCA |
| | 322 ME | 322 MEA | |
| 01.020.2 | 522 MC | 522 MC SUP | 522 ME |
| 01.015.2 | 322 CC | 322 CC SUP | 322 CE |
| | 322 EE | 322 EE AS | |
| 01.021.2 | 522 CC | 522 CC SUP | 522 CE |
| | 522 EE | 522 EE AS | |

| codice kit code of kit | utilizzabile per suitable for | | |
|---------------------------|----------------------------------|-------------|-------------|
| 00.038.2 | 321 EED | 321 EFP | 321 CCD |
| | 321 CFP | | |
| 00.041.2 | 521 EED | 521 EFP | 521 CCD |
| | 521 CFP | | |
| 01.019.2 | 322 EED | 322 EFP | 322 CCD |
| | 322 CFP | | |
| 01.022.2 | 522 EED | 522 EFP | 522 CCD |
| | 522 CFP | | |
| 00.050.2 | 321 ME AS | | |
| 01.035.2 | 322 ME AS | | |
| 00.051.2 | 521 ME AS | | |
| 01.036.2 | 522 ME AS | | |
| 00.108.2 | 5213C CC | 5213A CC | 5213P CC |
| | 5213C EE | 5213A EE | 5213P EE |
| | 5213C EE AS | 5213A EE AS | 5213P EE AS |
| 01.061.2 | 5223C CC | 5223A CC | 5223P CC |
| | 5223C EE | 5223A EE | 5223P EE |
| | 5223C EE AS | 5223A EE AS | 5223P EE AS |

bobine e connettori 22 mm

22 mm coils and connectors



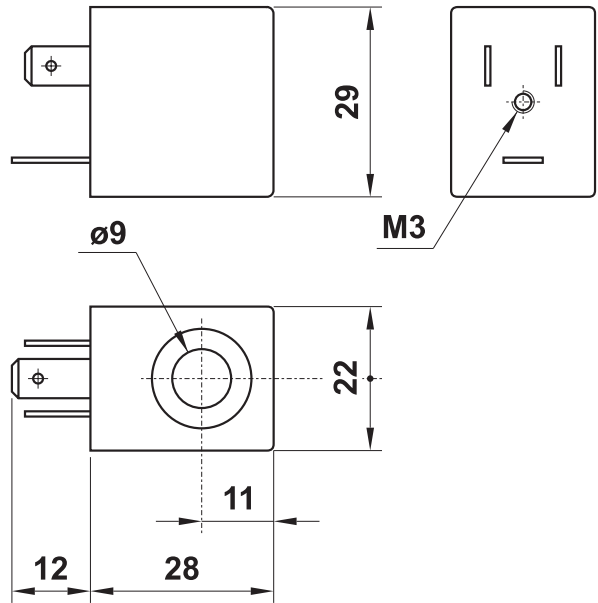
22 mm



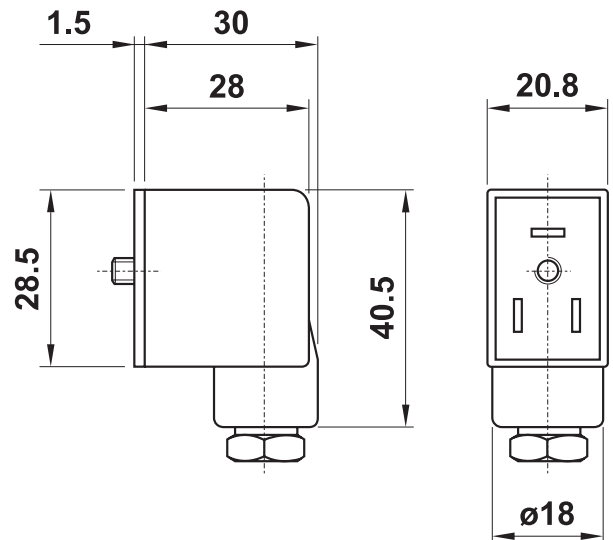
| | | |
|---|----------------|--|
| temperatura max di esercizio | +50°C | <i>max working temperature</i> |
| inserimento | ED 100% | <i>duty cycle</i> |
| protezione con connettore correttamente montato | IP 65 | <i>protection with connector correctly mounted</i> |
| tolleranza di tensione | ±10% | <i>tension tolerance</i> |

- a richiesta basso assorbimento 1.5W
low consumption (1.5W) on request

| codice <i>code</i> | tensione <i>tension</i> | consumo - power | |
|-----------------------|----------------------------|--------------------------|----------------------------|
| | | a regime <i>rated</i> | di spunto <i>inrush</i> |
| 00.167.0 | 12V DC | 3W | |
| 00.028.0 | 24V DC | 3W | |
| 00.029.0 | 24V 50/60Hz | 5VA | 7.5VA |
| 00.030.0 | 110V 50/60Hz | 5VA | 7.5VA |
| 00.031.0 | 220V 50/60Hz | 5VA | 7.5VA |



| codice <i>code</i> | colore <i>colour</i> | cavo <i>cable</i> | tipo <i>type</i> |
|-----------------------|-----------------------------------|----------------------|--|
| 00.197.0 | nero <i>black</i> | PG09 | normale <i>standard</i> |
| 00.344.0 | trasparente <i>transparent</i> | PG09 | con LED 24V <i>with LED 24V</i> |
| 00.345.0 | trasparente <i>transparent</i> | PG09 | con LED 24V e VDR <i>with LED 24V and VDR</i> |
| 00.346.0 | trasparente <i>transparent</i> | PG09 | con LED 115V <i>with LED 115V</i> |
| 00.347.0 | trasparente <i>transparent</i> | PG09 | con LED 115V e VDR <i>with LED 115V and VDR</i> |
| 00.394.0 | trasparente <i>transparent</i> | PG09 | con LED 230V <i>with LED 230V</i> |
| 00.395.0 | trasparente <i>transparent</i> | PG09 | con LED 230V e VDR <i>with LED 230V and VDR</i> |



PEZZI DI RICAMBIO - spare parts
canotto per elettropilota
armature for solenoid pilot

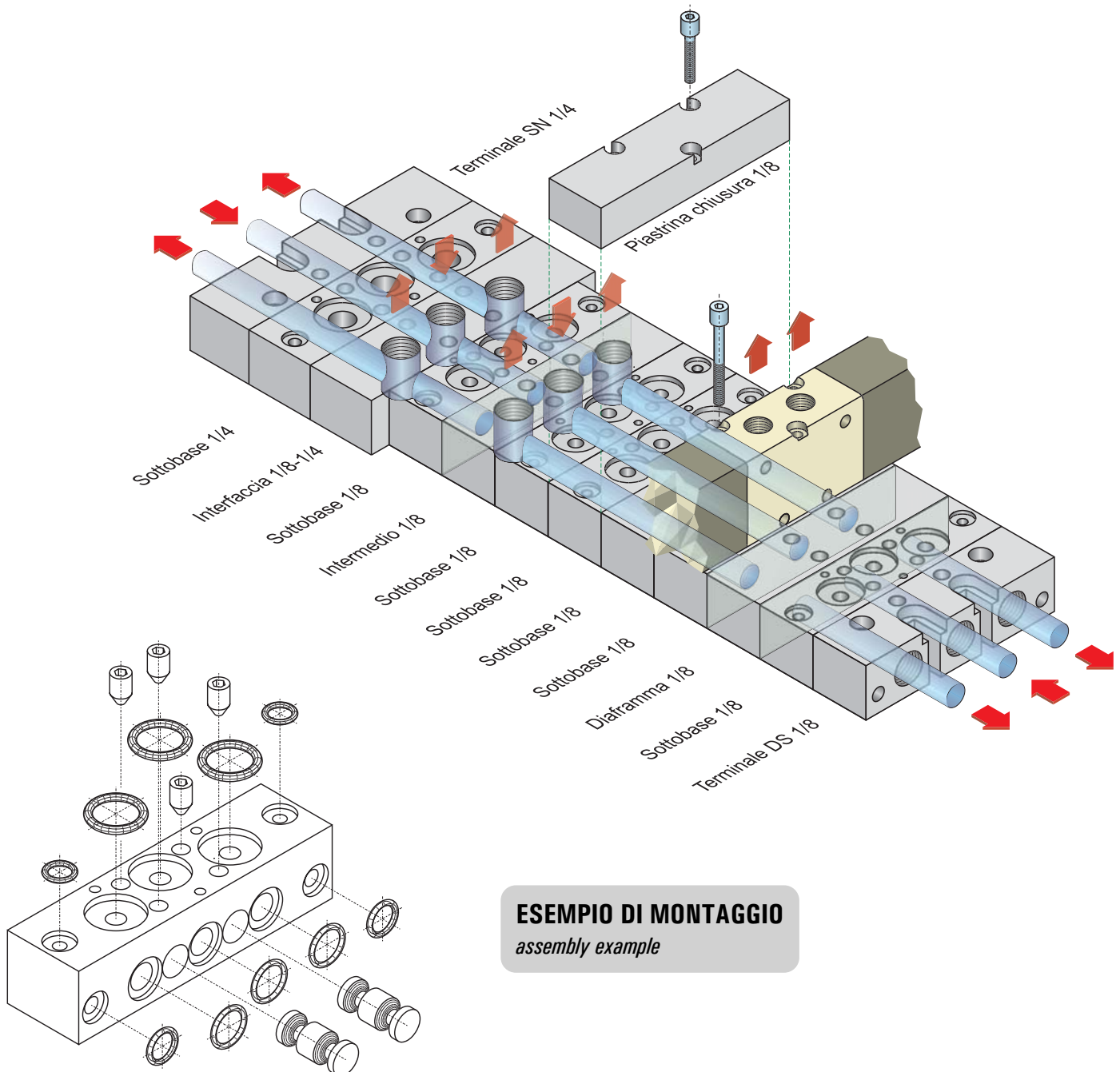
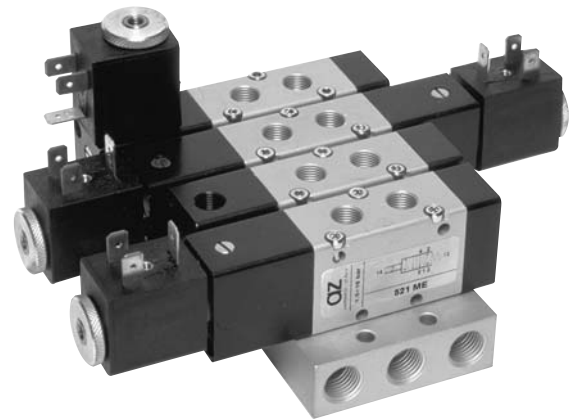
NC : 00.088.0
NA (NO) : 00.306.0

sottobasi per valvole a spola

manifolds for spool valves



- Sottobasi modulari per valvole a spola 1/8" e 1/4"
Multiple sub-bases for 1/8" and 1/4" spool valves
- Sottobasi a posti fissi per valvole a spola 1/8" e 1/4"
Manifolds for 1/8" and 1/4" spool valves
- Sottobasi speciali a richiesta
Special manifolds on request
- Materiale: alluminio anodizzato
Material: aluminium (anodize treatment)



sottobasi modulari per valvole a spola

multiple sub-bases for spool valves



sottobase sub-base



Le sottobasi possono essere utilizzate per il fissaggio di valvole da 1/8" o da 1/4". Ogni sottobase è venduta con i particolari necessari per il fissaggio e il montaggio della valvola.

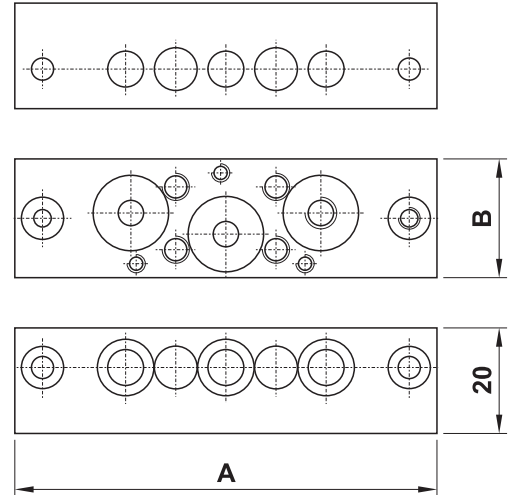
Each sub-base is sold with all necessary components to install 1/8" or 1/4" valves.

CODICI DI ORDINAZIONE - ORDER CODES

00.021.3 per valvole 1/8" - for 1/8" valves

01.032.4 per valvole 1/4" - for 1/4" valves

| | 1/8" | 1/4" |
|---|------|------|
| A | 80 | 95 |
| B | 22.5 | 26 |



terminale inlet header



Per ogni batteria di valvole è necessario l'utilizzo di due terminali, uno destro e uno sinistro. Ogni terminale è venduto con i particolari necessari al suo assemblaggio.

Each manifold assembly requires a right and a left hand inlet header kit.

Each inlet header is sold with all necessary components.

CODICI DI ORDINAZIONE - ORDER CODES

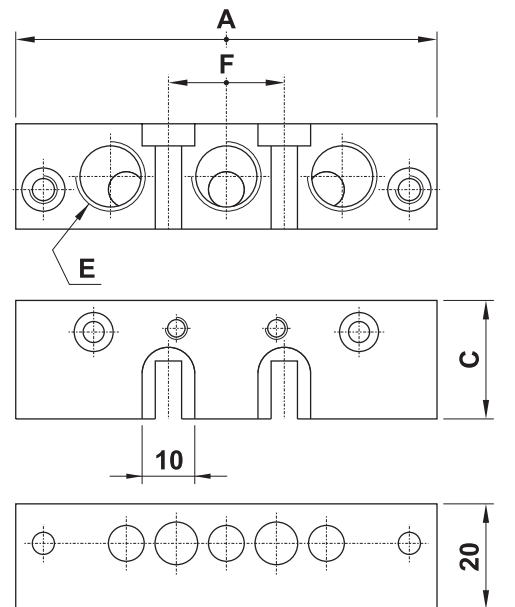
00.024.3 terminale destro per sottobasi 1/8"
right hand header for 1/8" manifolds

00.023.3 terminale sinistro per sottobasi 1/8"
left hand header for 1/8" manifolds

01.045.4 terminale destro per sottobasi 1/4"
right hand header for 1/4" manifolds

01.033.4 terminale sinistro per sottobasi 1/4"
left hand header for 1/4" manifolds

| | 1/8" | 1/4" |
|---|-------|-------|
| A | 80 | 95 |
| C | 22.5 | 25 |
| E | G1/4" | G3/8" |
| F | 22 | 26.5 |



piastrina di chiusura blanking plate

| | 1/8" 00.011.3 | 1/8" 00.078.2 | 1/4" 01.007.3 | 1/4" 01.078.2 |
|---|------------------|------------------|------------------|------------------|
| A | 80 | 60 | 95 | 70 |
| D | 22 | 22 | 25 | 25 |

Venduta completa di viti, chiude i fori di sottobasi eventualmente non utilizzate.

The blanking plate with gasket and screws is available to close manifold stations not in use.

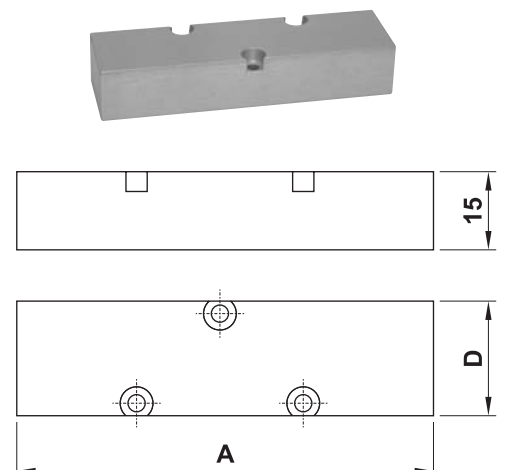
CODICI DI ORDINAZIONE - ORDER CODES

00.011.3 per sottobasi modulari 1/8" - for 1/8" multiple sub-bases

00.078.2 per sottobasi a posti fissi 1/8" - for 1/8" manifolds

01.007.3 per sottobasi modulari 1/4" - for 1/4" multiple sub-bases

01.078.2 per sottobasi a posti fissi 1/4" - for 1/4" manifolds



sottobasi modulari per valvole a spola

multiple sub-bases for spool valves



diaframma blanking piece



Il diaframma (cieco) è utilizzabile per dividere una batteria di valvole in parti alimentabili a pressioni distinte. È venduto con i pezzi necessari al suo assemblaggio.

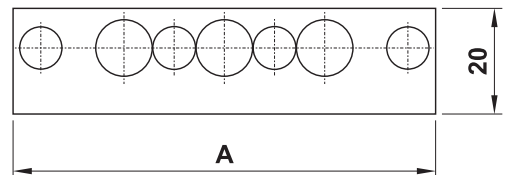
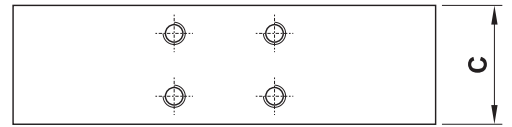
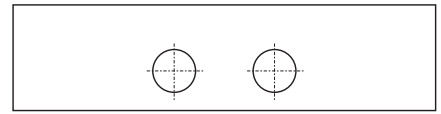
A blanking piece with gaskets is available to divide the manifold into separate zones.

CODICI DI ORDINAZIONE - ORDER CODES

00.044.4 per batterie di valvole 1/8" - for 1/8" manifolds

01.048.4 per batterie di valvole 1/4" - for 1/4" manifolds

| | 1/8" | 1/4" |
|----------|------|------|
| A | 80 | 95 |
| C | 22.5 | 25 |



intermedio intermediate header



L'intermedio è utilizzabile per dividere una batteria di valvole in due parti e immettere l'aria per l'alimentazione di una delle due attraverso le connessioni di cui è dotato. È venduto con i pezzi necessari al suo assemblaggio.

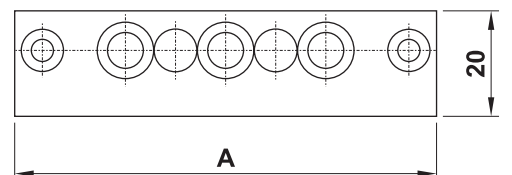
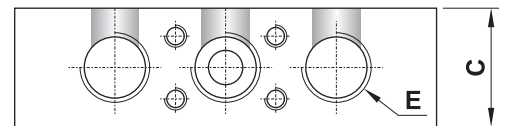
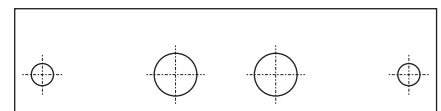
An intermediate header with separate air supply is available to be installed in a manifold system which requires mixed operating pressures.

CODICI DI ORDINAZIONE - ORDER CODES

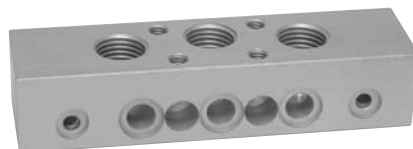
00.049.4 per batterie di valvole 1/8" - for 1/8" manifolds

01.047.4 per batterie di valvole 1/4" - for 1/8" manifolds

| | 1/8" | 1/4" |
|----------|-------|-------|
| A | 80 | 95 |
| C | 22.5 | 25 |
| E | G1/4" | G3/8" |



interfaccia interface

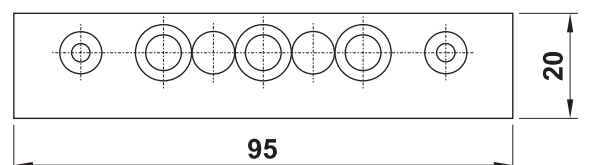
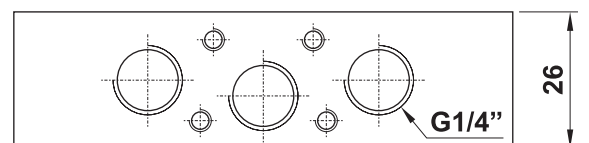
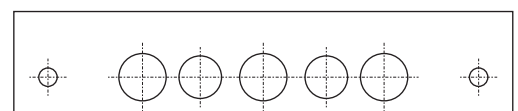


L'interfaccia è utilizzabile per collegare una batteria di valvole 1/8" a una batteria di valvole 1/4". È venduta con i pezzi necessari al suo assemblaggio.

An interface with all necessary components is available to connect a manifold of 1/8" ports to a manifold of 1/4" ports.

CODICE DI ORDINAZIONE - ORDER CODE

00.045.4 interfaccia - interface



sottobasi a posti fissi per valvole a spola

manifolds for spool valves



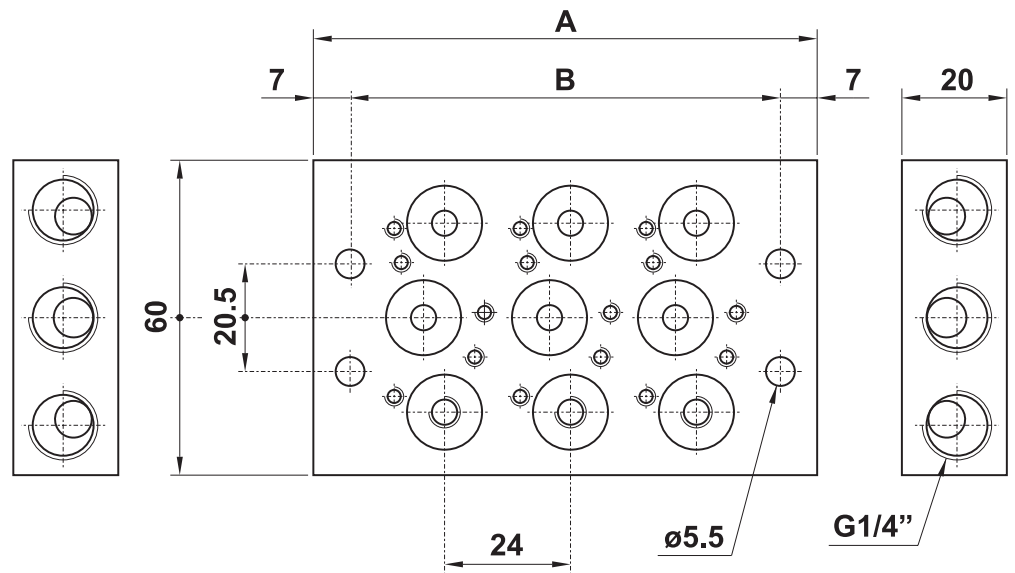
Le sottobasi a posti fissi possono essere utilizzate per il fissaggio di valvole a 3 vie e a 5 vie, da 1/8" o da 1/4". Ogni sottobase è venduta con i particolari necessari per il fissaggio e il montaggio delle valvole. Eventuali posizioni non utilizzate possono essere tappate con la piastrina di chiusura.

These manifolds can be used for the installation of three and five way valves, 1/8" or 1/4". Each manifold is sold with all necessary pieces for installation. Unused stations can be closed with a blanking plate.



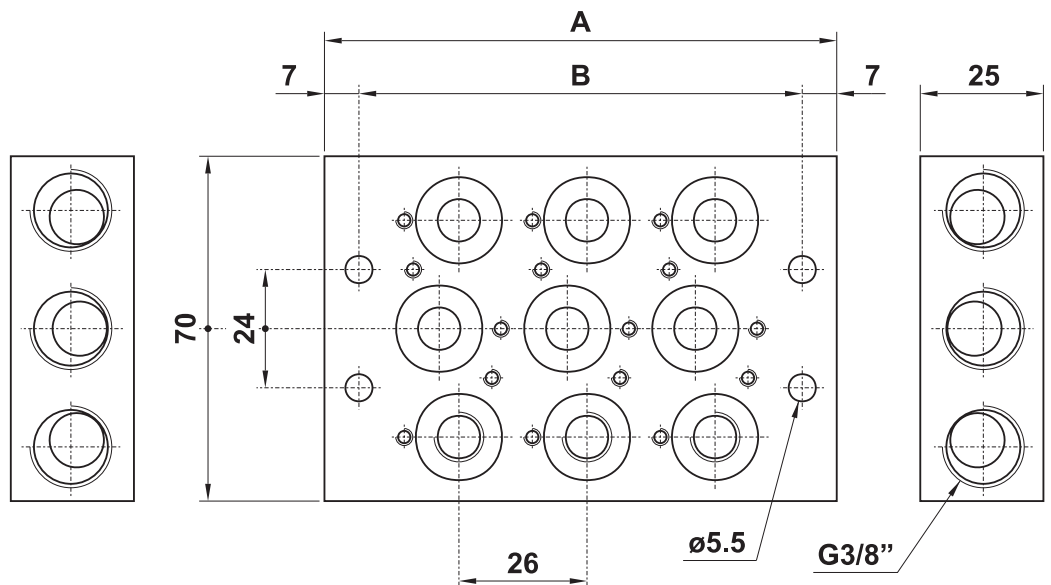
1/8"

| modello model | nr. posiz. no. stations | A | B |
|------------------|----------------------------|-----|-----|
| 00.052.2 | 2 | 72 | 58 |
| 00.053.2 | 3 | 96 | 82 |
| 00.054.2 | 4 | 120 | 106 |
| 00.055.2 | 5 | 144 | 130 |
| 00.056.2 | 6 | 168 | 154 |
| 00.057.2 | 7 | 192 | 178 |
| 00.058.2 | 8 | 216 | 202 |
| 00.059.2 | 9 | 240 | 226 |
| 00.060.2 | 10 | 264 | 250 |



1/4"

| modello model | nr. posiz. no. stations | A | B |
|------------------|----------------------------|-----|-----|
| 01.042.2 | 2 | 78 | 64 |
| 01.043.2 | 3 | 104 | 90 |
| 01.044.2 | 4 | 130 | 116 |
| 01.045.2 | 5 | 156 | 142 |
| 01.046.2 | 6 | 182 | 168 |
| 01.047.2 | 7 | 208 | 194 |
| 01.048.2 | 8 | 234 | 220 |



accessori per basi a posti fissi

accessories for manifolds



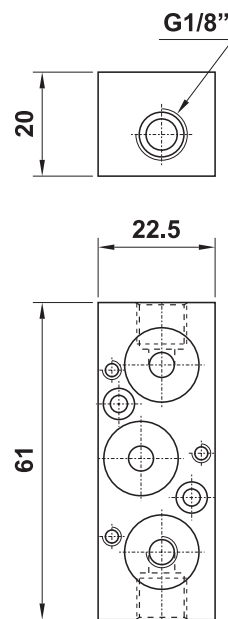
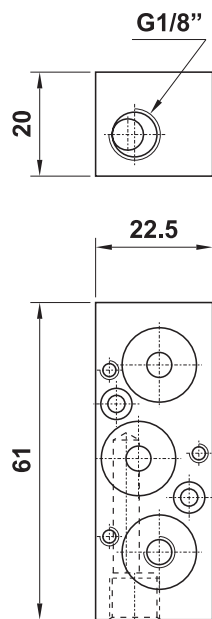
adattatore per entrata separata
adapting plate for separate air inlet

adattatore per scarichi separati
adapting plate for separate air exhaust

G1/8"

00.064.2

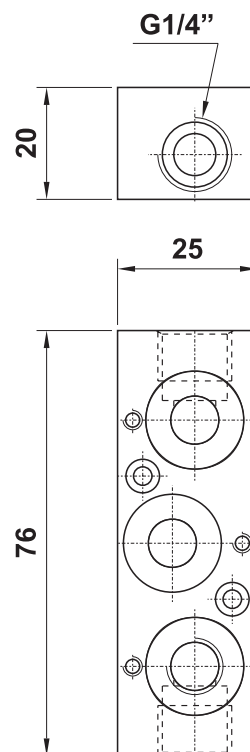
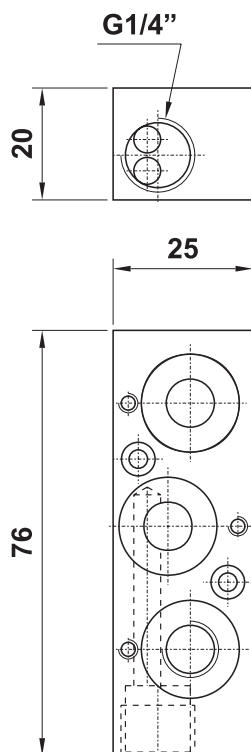
00.080.2



G1/4"

01.049.2

01.050.2

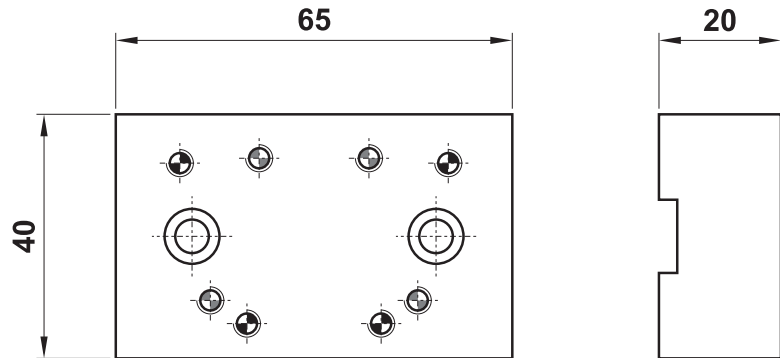


Ogni pezzo è venduto in kit con i particolari necessari al suo assemblaggio.
Each element is sold in kit with all necessary pieces for installation.

adattatore per cilindro ISO 6431 interface for cylinder ISO 6431

CODICE DI ORDINAZIONE
ORDER CODE

00.095.2



 Fori per il fissaggio di valvole 521
Mounting holes for valves 521

 Fori per il fissaggio di valvole 522
Mounting holes for valves 522

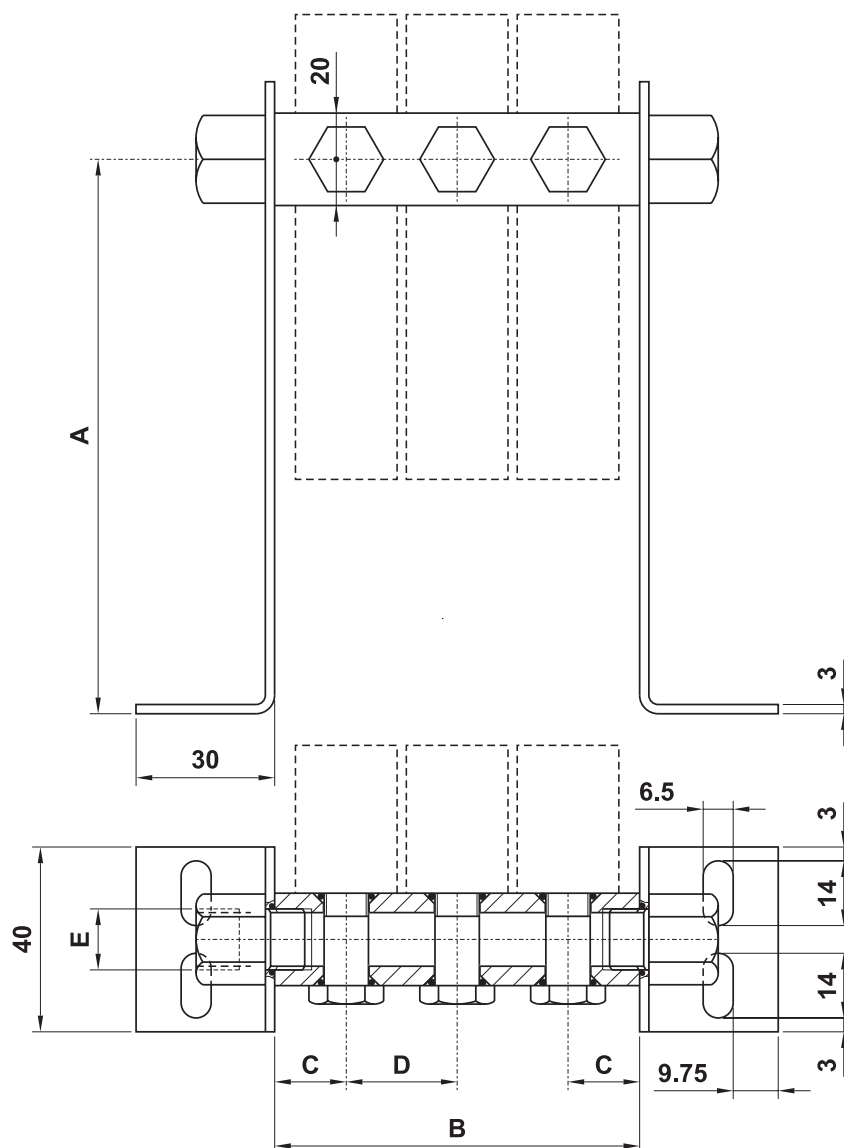
È utilizzabile per l'installazione di una valvola della serie 521 o 522 su un cilindro ISO 6431 dall'alesaggio 32 all'alesaggio 100.
Ogni pezzo è venduto con tutti i particolari necessari al suo assemblaggio.

*It can be used to install a valve 521 or 522 on a cylinder ISO 6431 from bore 32 to bore 100.
It is sold with all necessary pieces for installation.*

Per l'installazione sul cilindro è necessario innanzi tutto smontare una delle due testate.
For the installation on the cylinder it is necessary to remove one end cap.

collettori per valvole a spola

gang manifolds for spool valves



| | | 1/8" | | 1/4" | |
|--|--|------------------|-----|------------------|-----|
| | | modello model | A | modello model | A |
| | | 00.029.2 | 120 | 01.029.2 | 120 |
| | | 00.067.2 | 60 | 01.038.2 | 60 |

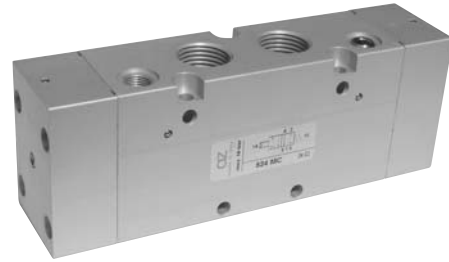
| | | modello model | nr. posizioni no. stations | B | C | D | E |
|------|--|------------------|-------------------------------|-----|------|----|-------|
| 1/8" | | 00.042.3 | 2 | 55 | 15.5 | 24 | G1/4" |
| | | 00.043.3 | 3 | 79 | 15.5 | 24 | G1/4" |
| | | 00.044.3 | 4 | 103 | 15.5 | 24 | G1/4" |
| | | 00.045.3 | 5 | 127 | 15.5 | 24 | G1/4" |
| | | 00.046.3 | 6 | 151 | 15.5 | 24 | G1/4" |
| 1/4" | | 01.032.3 | 2 | 62 | 17.5 | 27 | G3/8" |
| | | 01.033.3 | 3 | 89 | 17.5 | 27 | G3/8" |
| | | 01.034.3 | 4 | 116 | 17.5 | 27 | G3/8" |
| | | 01.035.3 | 5 | 143 | 17.5 | 27 | G3/8" |
| | | 01.036.3 | 6 | 170 | 17.5 | 27 | G3/8" |

valvole G1/2" azionamento pneumatico

pneumatically piloted valves - G1/2"



- Valvole a spola 3/2-5/2-5/3 con attacchi filettati G1/2"
3/2-5/2-5/3 spool valves with G1/2" threaded ports
- Elevatissima portata
Very high flow rate
- Montaggio in linea
Installation in-line
- Azionamento pneumatico monostabile o bistabile
Mono-stable or bi-stable pneumatic pilot
- Multifunzionalità e adattabilità
Multifunction feature



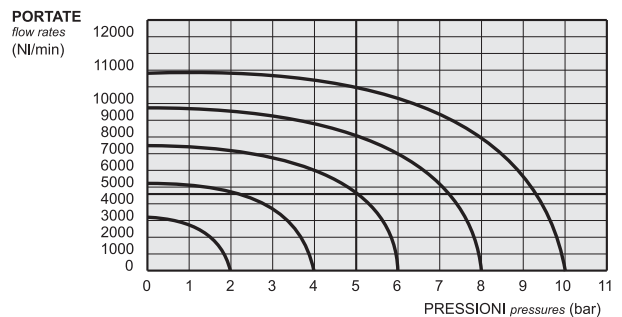
Kit ricambi - spare parts

02.030.2 : per valvole a 3 vie [for 3 way valves] ME - ME AS - MC

02.031.2 : per valvole a 5 vie [for 5 way valves] ME - ME AS - MC

02.032.2 : per valvole a 3 vie [for 3 way valves] EE - EE AS - CC

02.033.2 : per valvole a 5 vie [for 5 way valves] EE - EE AS - CC



Tempi di risposta - response times

| | |
|-----------------------------------|------------------------------------|
| monostabile <i>mono-stable</i> | TRA (14): 24 ms TRR (12): 43 ms |
| bistabile <i>bi-stable</i> | TRA (14): 30 ms TRR (12): 30 ms |

Materiali

Corpo: alluminio 11S

Molle: INOX

Guarnizioni: NBR

Spola: alluminio nichelato

Parti interne: ottone OT58

Materials

Body: aluminium 11S

Springs: stainless steel

Seals: NBR

Spool: nickel plated aluminium

Internal parts: brass OT58

| | | |
|--|---|-------------------------------|
| Diametro nominale <i>Nominal orifice</i> | 13 mm | |
| Portata nominale a 6 bar, Δp 1 bar <i>Nominal flow rate at 6 bar, Δp 1 bar</i> | 4600 NI/min | |
| Temperatura di esercizio <i>Temperature range</i> | max +60°C | |
| Pressione di esercizio <i>Working pressure</i> | max 10 bar max 1 MPa | |
| Pressione di azionamento <i>Actuating pressure</i> | monostabile [mono-stable] | bistabile [bi-stable] |
| | 2.5 ... 10 bar 0.25 ... 1 MPa | 1 ... 10 bar 0.1 ... 1 MPa |
| Fluido <i>Fluid</i> | Aria filtrata 50 μ con o senza lubrificazione <i>50μ filtered, lubricated or non lubricated air</i> | |

valvole G1/2" azionamento pneumatico

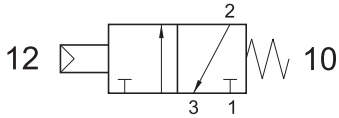
pneumatically piloted valves - G1/2"



324 MC

3/2 1/2" NC comando pneumatico - ritorno a molla

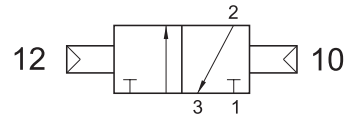
3/2 1/2" NC pneumatic pilot - spring return



324 CC

3/2 1/2" doppio comando pneumatico

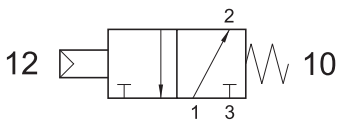
3/2 1/2" double pneumatic pilot



324 MCA

3/2 1/2" NA comando pneumatico - ritorno a molla

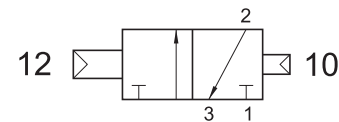
3/2 1/2" NO pneumatic pilot - spring return



324 CCD

3/2 1/2" doppio comando pneumatico - con differenziale

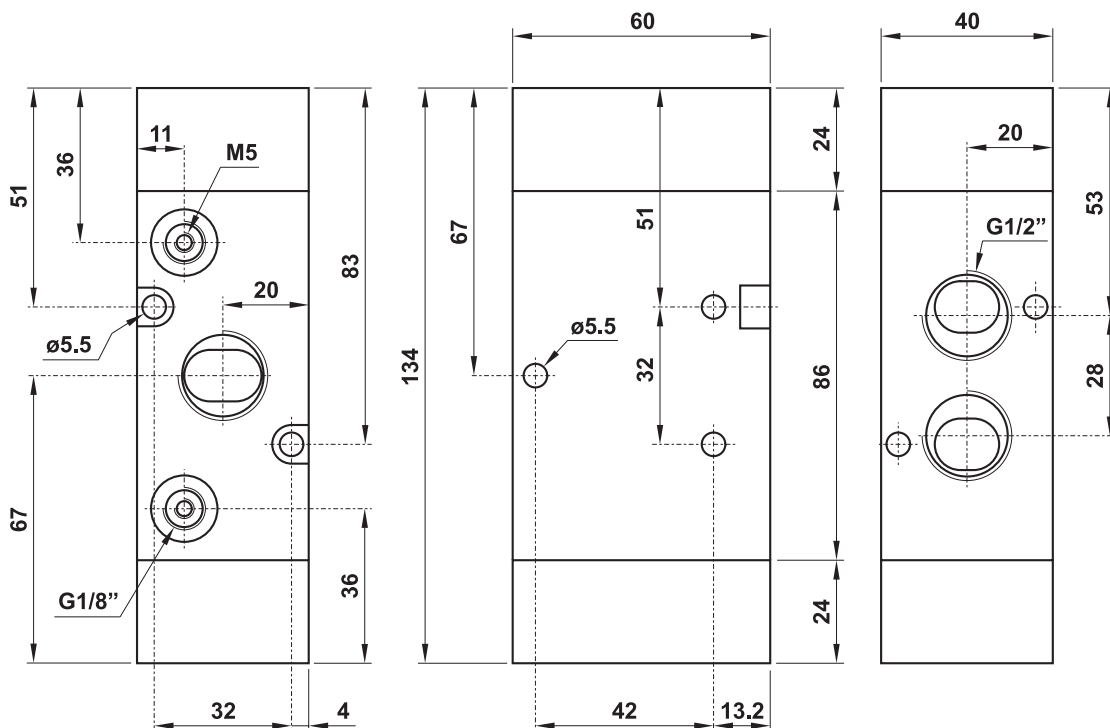
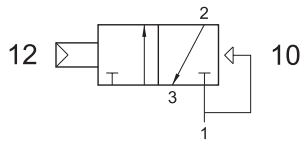
3/2 1/2" double pneumatic pilot - with differential



324 CFP

3/2 1/2" NC comando pneumatico - ritorno a molla pneumatica

3/2 1/2" NC pneumatic pilot - pneumatic spring return



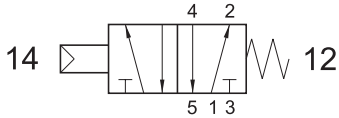
valvole G1/2" azionamento pneumatico

pneumatically piloted valves - G1/2"



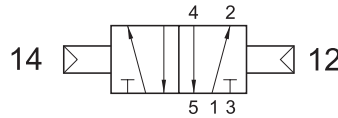
524 MC

5/2 1/2" comando pneumatico - ritorno a molla
 5/2 1/2" *pneumatic pilot - spring return*



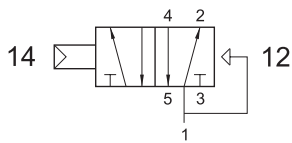
524 CC

5/2 1/2" doppio comando pneumatico
 5/2 1/2" *double pneumatic pilot*



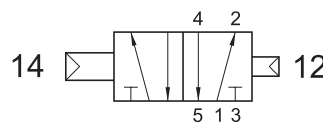
524 CFP

5/2 1/2" comando pneumatico - ritorno a molla pneumatica
 5/2 1/2" *pneumatic pilot - pneumatic spring return*



524 CCD

5/2 1/2" doppio comando pneumatico - con differenziale
 5/2 1/2" *double pneumatic pilot - with differential*



5243C CC

centri chiusi
closed centres



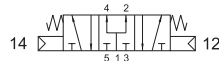
5243A CC

centri aperti
open centres

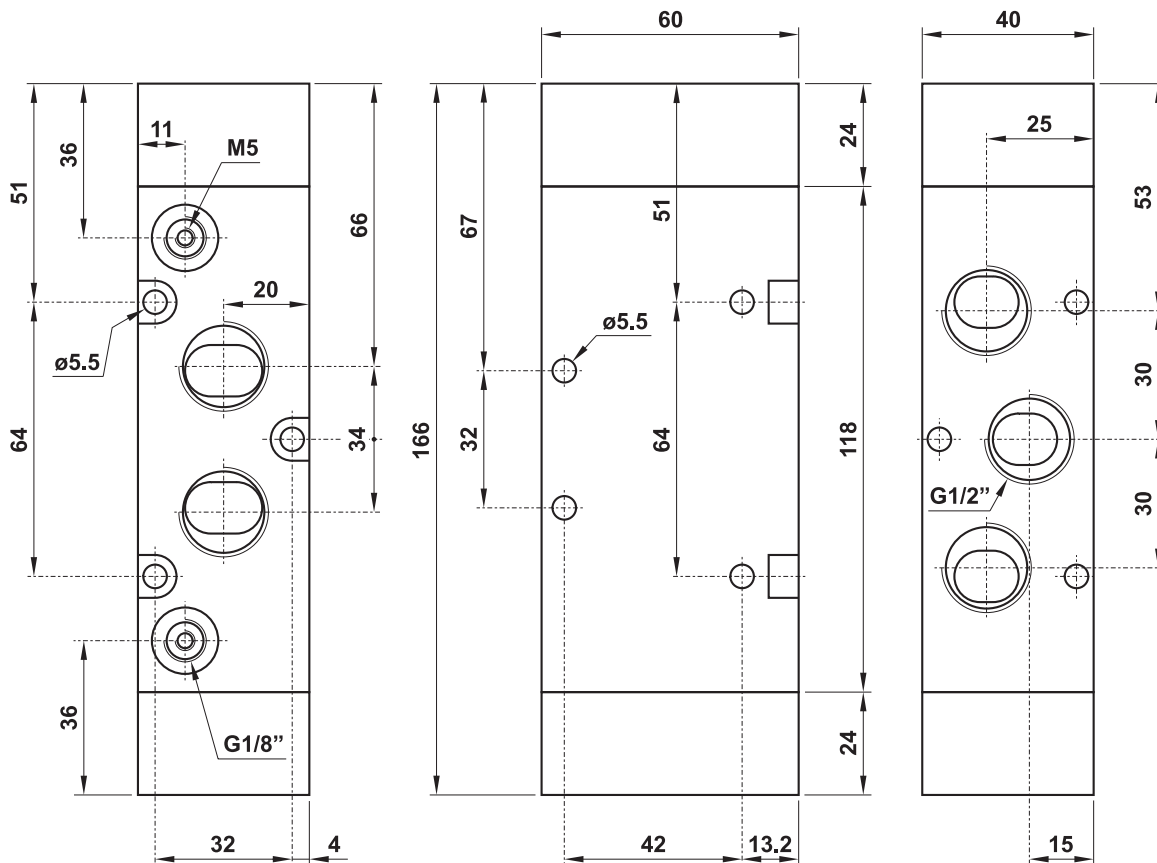


5243P CC

centri in pressione
pressurized centres



5/3 1/2" doppio comando pneumatico
 5/3 1/2" *double pneumatic pilot*



valvole G1/2" azionamento pneumatico

pneumatically piloted valves - G1/2"



Multifunzionalità e adattabilità della valvola

La funzione della valvola può essere variata in ogni momento secondo necessità cambiando la posizione dei tappi da M5 e G1/8" collocati nel corpo secondo gli schemi sottoriportati.

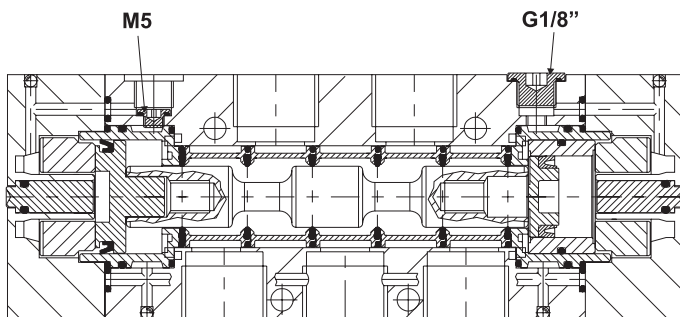
La valvola è fornita nella configurazione richiesta al momento dell'ordine. Eventuali tappi aggiuntivi possono essere ordinati separatamente.

Multifunction feature of the valve

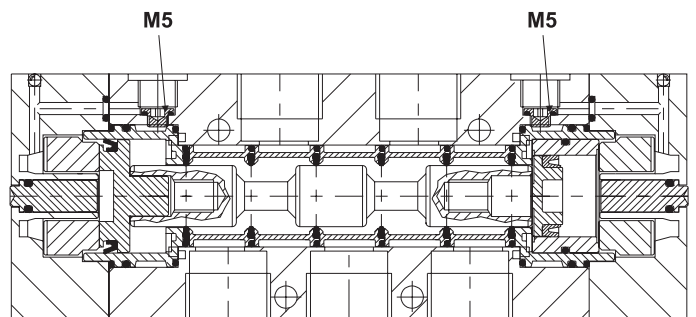
The function of the valve can be changed in any moment. To do this it is enough to change the position of the plugs M5 and G1/8", which are inserted into the body according to the scheme.

The valve is supplied in the configuration specified on the order. More plugs can be ordered separately.

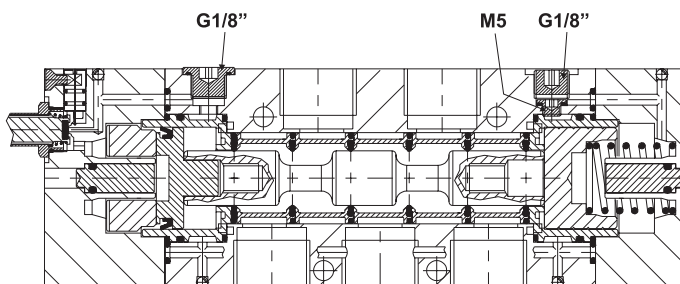
324 CFP
524 CFP



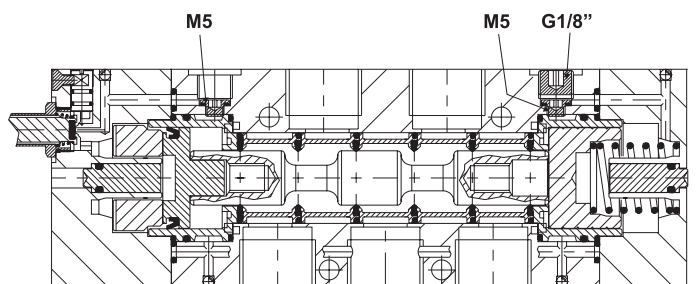
324 CCD
524 CCD



324 ME
524 ME

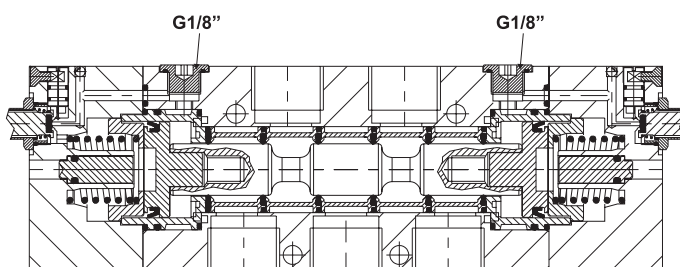


324 ME AS
524 ME AS



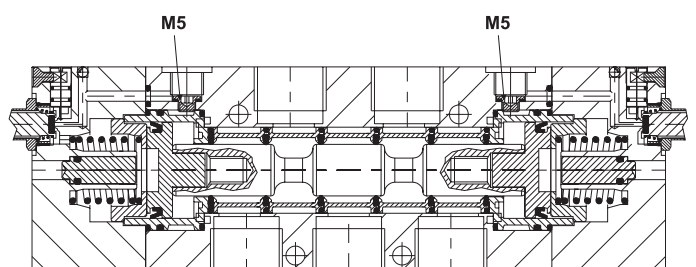
324 EE
524 EE

5243C EE
5243A EE
5243P EE



324 EE AS
524 EE AS

5243C EE AS
5243A EE AS
5243P EE AS



valvole G1/2" azionamento elettropneumatico

solenoid actuated valves - G1/2"



- Valvole a spola 3/2-5/2-5/3 con attacchi filettati G1/2"
3/2-5/2-5/3 spool valves with G1/2" threaded ports
- Elevatissima portata
Very high flow rate
- Montaggio in linea
Installation in-line
- Comandi elettrici con azionamento manuale bistabile
Solenoid pilots with detented manual override as standard
- Multifunzionalità e adattabilità
Multifunction feature



I prodotti di seguito indicati sono venduti senza bobine, da acquistarsi separatamente (vedi pag. 138).

The following listed products are sold without coils, which are bought separately (refer to page 138).

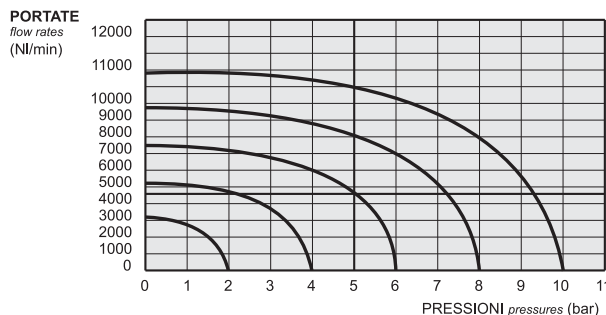
Kit ricambi - spare parts

02.030.2 : per valvole a 3 vie [for 3 way valves] ME - ME AS - MC

02.031.2 : per valvole a 5 vie [for 5 way valves] ME - ME AS - MC

02.032.2 : per valvole a 3 vie [for 3 way valves] EE - EE AS - CC

02.033.2 : per valvole a 5 vie [for 5 way valves] EE - EE AS - CC



Tempi di risposta - response times

| | |
|-----------------------------------|------------------------------------|
| monostabile <i>mono-stable</i> | TRA (14): 39 ms TRR (12): 60 ms |
| bistabile <i>bi-stable</i> | TRA (14): 90 ms TRR (12): 90 ms |

Materiali

Corpo: alluminio 11S

Molle: INOX

Guarnizioni: NBR

Spola: INOX

Parti interne: ottone OT58

Materials

Body: aluminium 11S

Springs: stainless steel

Seals: NBR

Spool: stainless steel

Internal parts: brass OT58

| | | | |
|--|---|---|--------------------------------------|
| Diametro nominale <i>Nominal orifice</i> | | 13 mm | |
| Portata nominale a 6 bar, Δp 1 bar <i>Nominal flow rate at 6 bar, Δp 1 bar</i> | | 4600 NI/min | |
| Temperatura di esercizio <i>Temperature range</i> | | max +60°C | |
| Pressione di esercizio <i>Working pressure</i> | al. interna monost. [monost. internal air supply] | al. interna bist. [bi-stable internal air supply] | alim. separata [separate air supply] |
| | 2.5 ... 10 bar 0.25 ... 1 MPa | 1 ... 10 bar 0.1 ... 1 MPa | max 10 bar max 1 MPa |
| Pressione di azionamento (per alimentazione separata) <i>Actuating pressure (for separate air supply)</i> | monostabile [mono-stable] | | bistabile [bi-stable] |
| | 2.5 ... 10 bar 0.25 ... 1 MPa | | 1 ... 10 bar 0.1 ... 1 MPa |
| Fluido <i>Fluid</i> | Aria filtrata 50 μ con o senza lubrificazione <i>50μ filtered, lubricated or non lubricated air</i> | | |

valvole G1/2" azionamento elettropneumatico

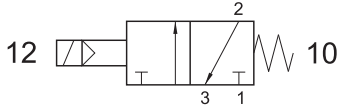
solenoid actuated valves - G1/2"



324 ME

3/2 1/2" NC comando elettrico - ritorno a molla

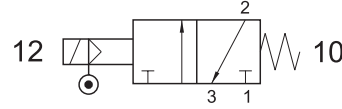
3/2 1/2" NC solenoid pilot - spring return



324 ME AS

3/2 1/2" comando elettrico alimentazione separata - ritorno a molla

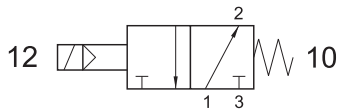
3/2 1/2" solenoid pilot with separate air supply - spring return



324 MEA

3/2 1/2" NA comando elettrico - ritorno a molla

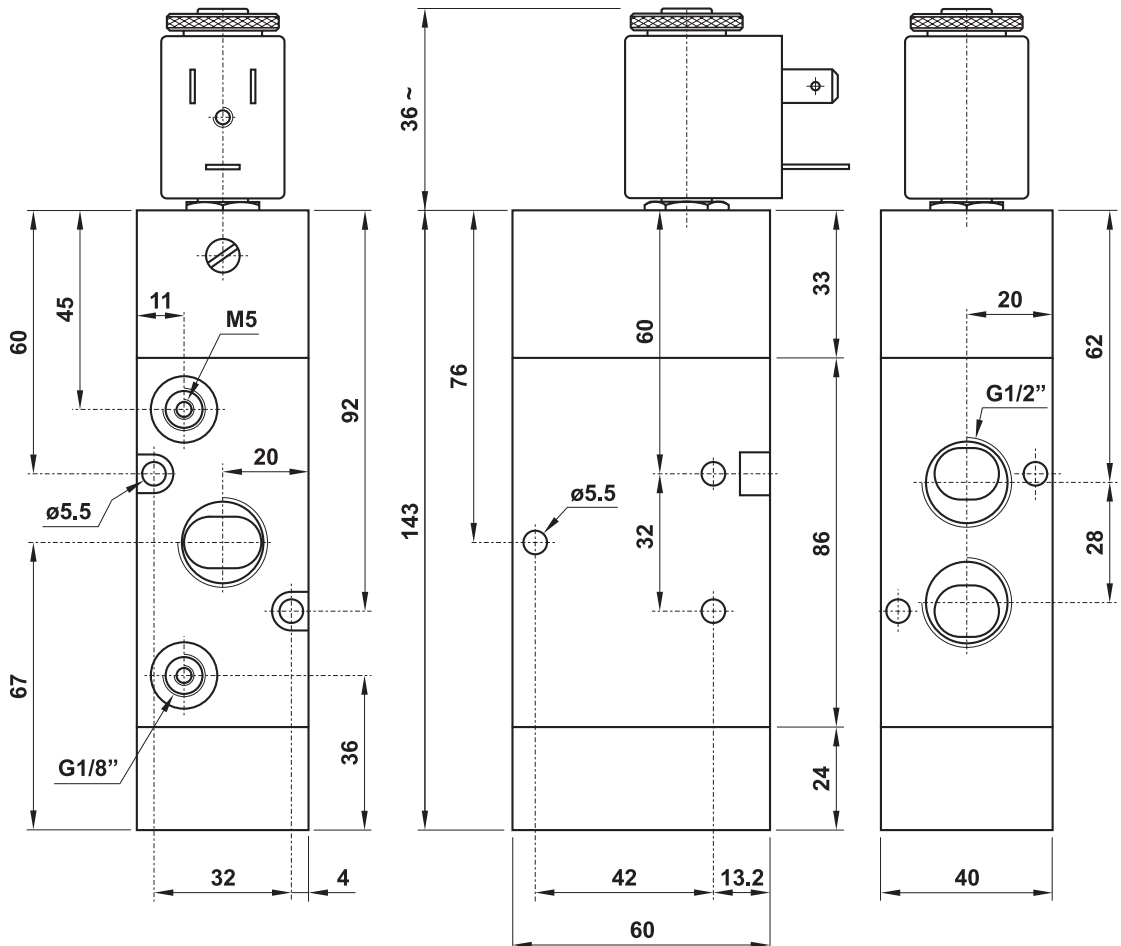
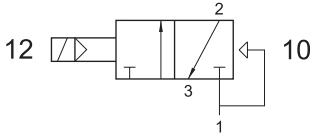
3/2 1/2" NO solenoid pilot - spring return



324 EFP

3/2 1/2" NC comando elettrico - ritorno a molla pneumatica

3/2 1/2" NC solenoid pilot - pneumatic spring return



valvole G1/2" azionamento elettropneumatico

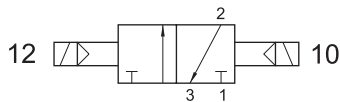
solenoid actuated valves - G1/2"



324 EE

3/2 1/2" doppio comando elettrico

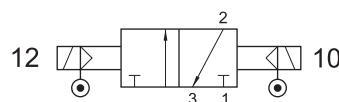
3/2 1/2" double solenoid pilot



324 EE AS

3/2 1/2" doppio comando elettrico alimentazione separata

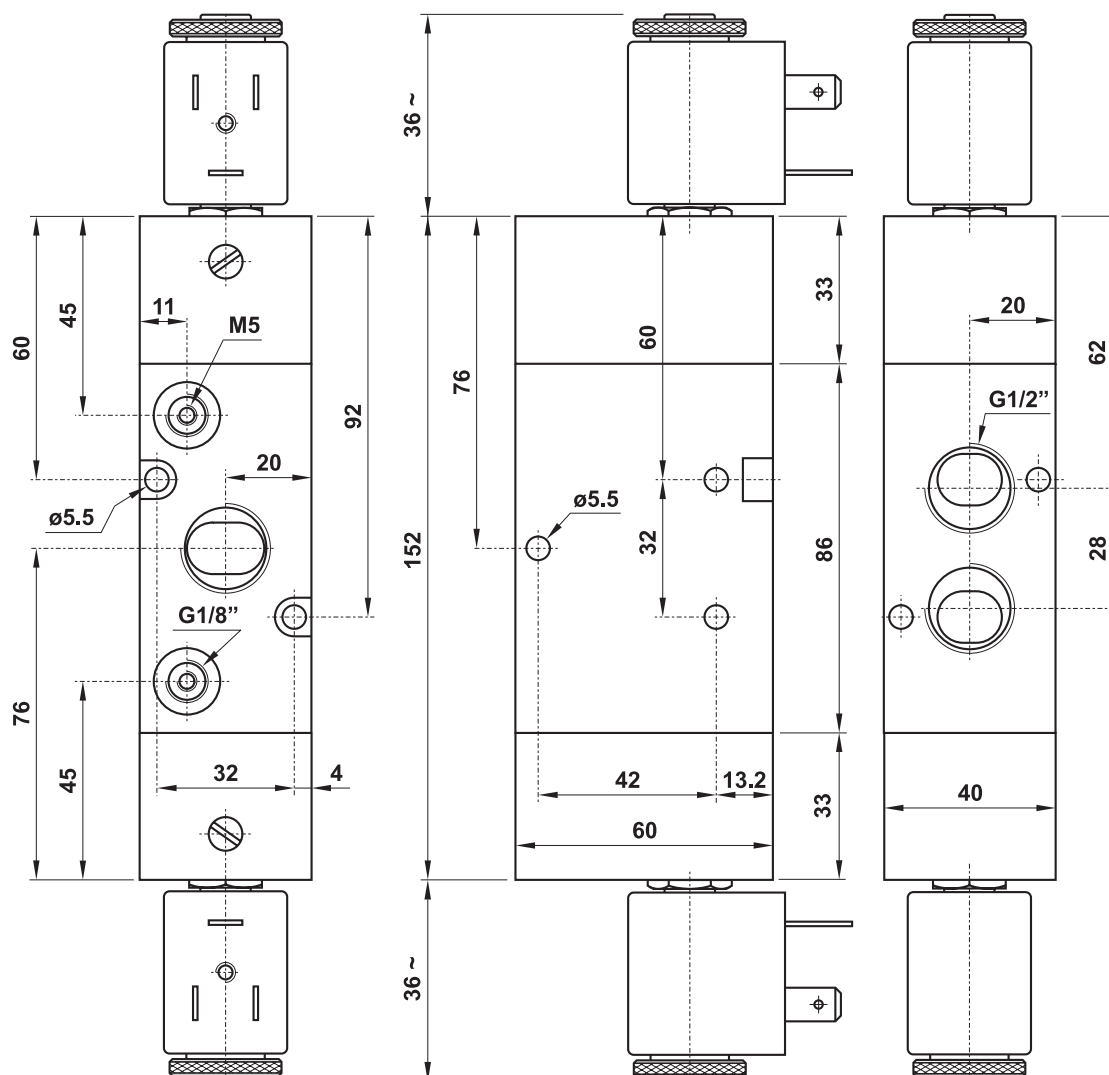
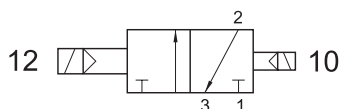
3/2 1/2" double solenoid pilot with separate air supply



324 EED

3/2 1/2" doppio comando elettrico - con differenziale

3/2 1/2" double solenoid pilot - with differential



valvole G1/2" azionamento elettropneumatico

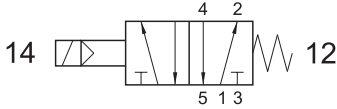
solenoid actuated valves - G1/2"



524 ME

5/2 1/2" comando elettrico - ritorno a molla

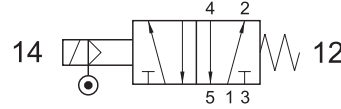
5/2 1/2" solenoid pilot - spring return



524 ME AS

5/2 1/2" comando elettrico alimentazione separata - ritorno a molla

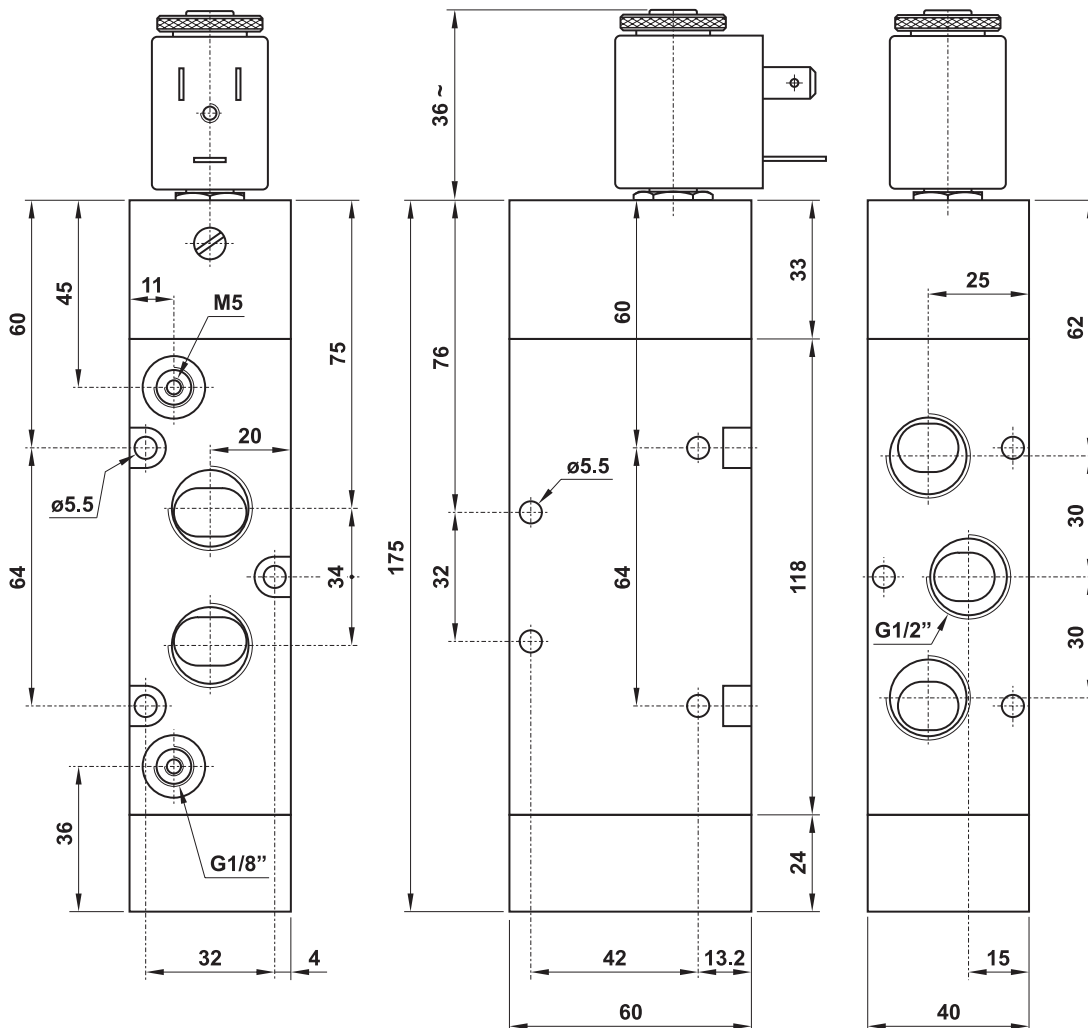
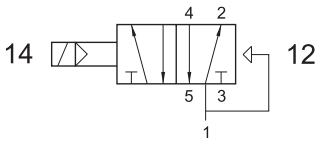
5/2 1/2" solenoid pilot with separate air supply - spring return



524 EFP

5/2 1/2" comando elettrico - ritorno a molla pneumatica

5/2 1/2" solenoid pilot - pneumatic spring return



valvole G1/2" azionamento elettropneumatico

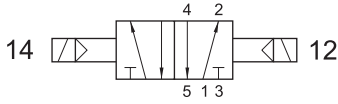
solenoid actuated valves - G1/2"



524 EE

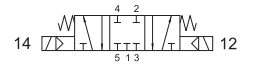
5/2 1/2" doppio comando elettrico

5/2 1/2" double solenoid pilot



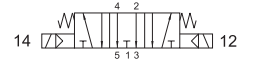
5243C EE

centri chiusi
closed centres



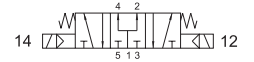
5243A EE

centri aperti
open centres



5243P EE

centri in pressione
pressurized centres



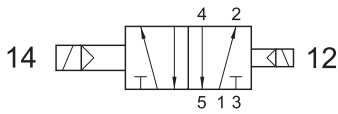
5/3 1/2" doppio comando elettrico

5/3 1/2" double solenoid pilot

524 EED

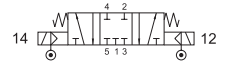
5/2 1/2" doppio comando elettrico - con differenziale

5/2 1/2" double solenoid pilot - with differential



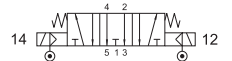
5243C EE AS

centri chiusi
closed centres



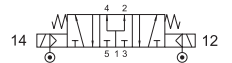
5243A EE AS

centri aperti
open centres



5243P EE AS

centri in pressione
pressurized centres



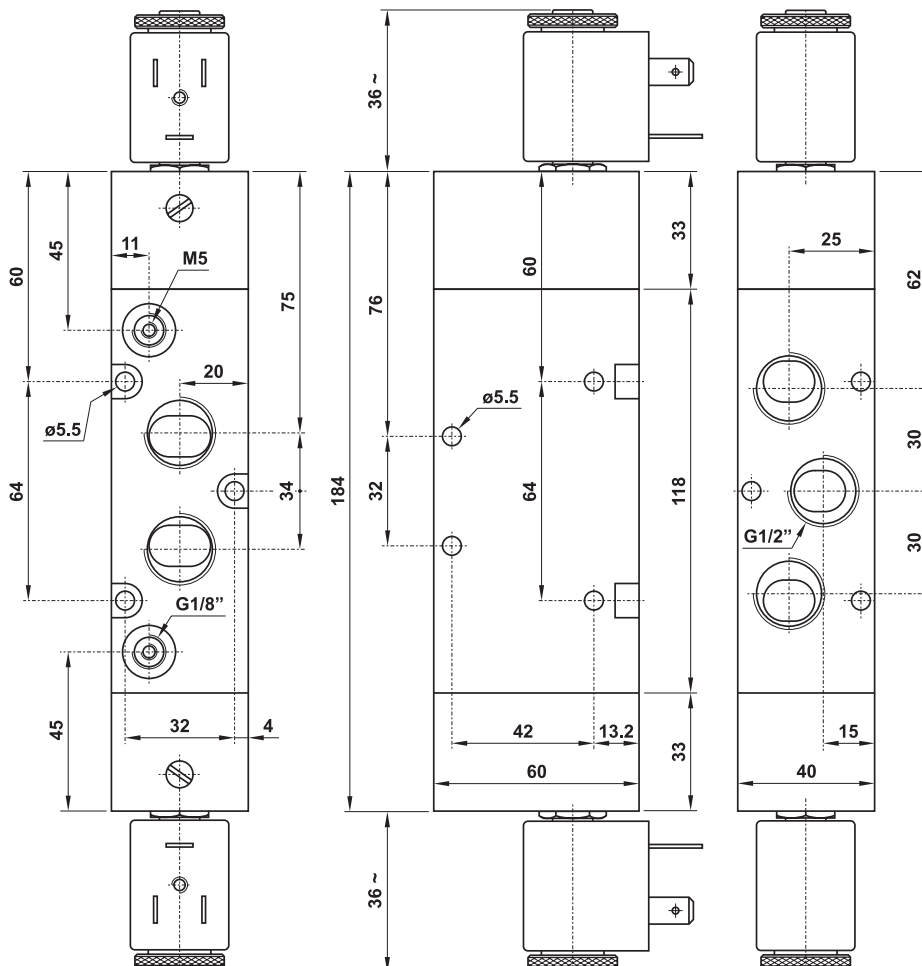
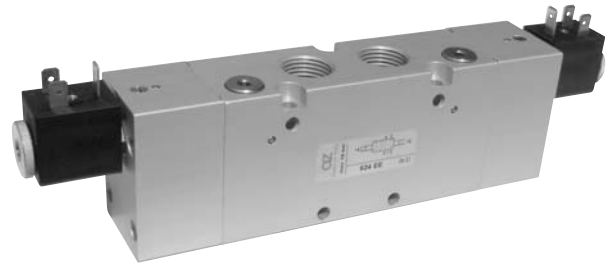
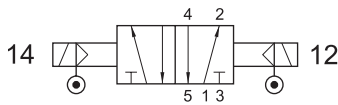
5/3 1/2" doppio comando elettrico alimentazione separata

5/3 1/2" double solenoid pilot with separate air supply

524 EE AS

5/2 1/2" doppio comando elettrico alimentazione separata

5/2 1/2" double solenoid pilot with separate air supply



bobine e connettori 22 mm

22 mm coils and connectors



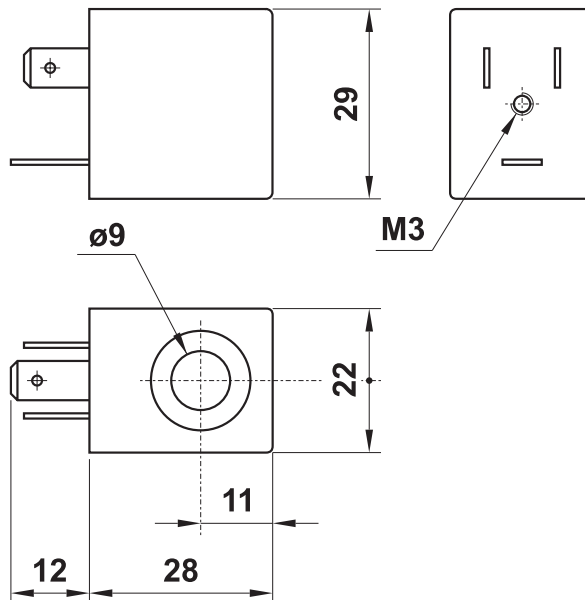
22 mm



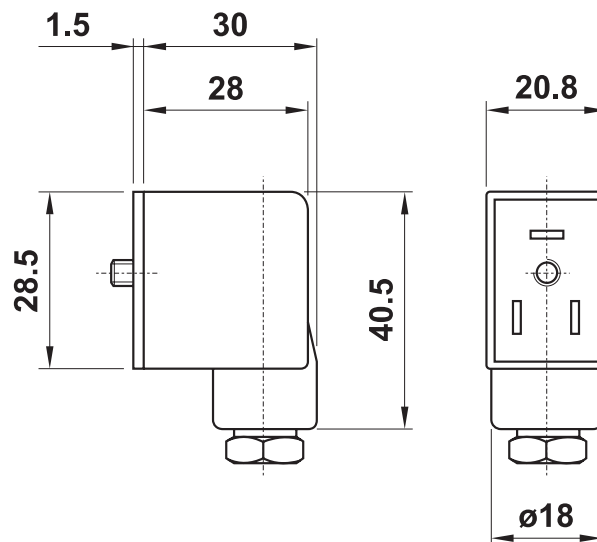
| | | |
|---|----------------|--|
| temperatura max di esercizio | +50°C | <i>max working temperature</i> |
| inserimento | ED 100% | <i>duty cycle</i> |
| protezione con connettore correttamente montato | IP 65 | <i>protection with connector correctly mounted</i> |
| tolleranza di tensione | ±10% | <i>tension tolerance</i> |

- a richiesta basso assorbimento 1.5W
low consumption (1.5W) on request

| codice <i>code</i> | tensione <i>tension</i> | consumo - power | |
|-----------------------|----------------------------|--------------------------|----------------------------|
| | | a regime <i>rated</i> | di spunto <i>inrush</i> |
| 00.167.0 | 12V DC | 3W | |
| 00.028.0 | 24V DC | 3W | |
| 00.029.0 | 24V 50/60Hz | 5VA | 7.5VA |
| 00.030.0 | 110V 50/60Hz | 5VA | 7.5VA |
| 00.031.0 | 220V 50/60Hz | 5VA | 7.5VA |



| codice <i>code</i> | colore <i>colour</i> | cavo <i>cable</i> | tipo <i>type</i> |
|-----------------------|-----------------------------------|----------------------|--|
| 00.197.0 | nero <i>black</i> | PG09 | normale <i>standard</i> |
| 00.344.0 | trasparente <i>transparent</i> | PG09 | con LED 24V <i>with LED 24V</i> |
| 00.345.0 | trasparente <i>transparent</i> | PG09 | con LED 24V e VDR <i>with LED 24V and VDR</i> |
| 00.346.0 | trasparente <i>transparent</i> | PG09 | con LED 115V <i>with LED 115V</i> |
| 00.347.0 | trasparente <i>transparent</i> | PG09 | con LED 115V e VDR <i>with LED 115V and VDR</i> |
| 00.394.0 | trasparente <i>transparent</i> | PG09 | con LED 230V <i>with LED 230V</i> |
| 00.395.0 | trasparente <i>transparent</i> | PG09 | con LED 230V e VDR <i>with LED 230V and VDR</i> |



PEZZI DI RICAMBIO - spare parts
canotto per elettropilota
armature for solenoid pilot

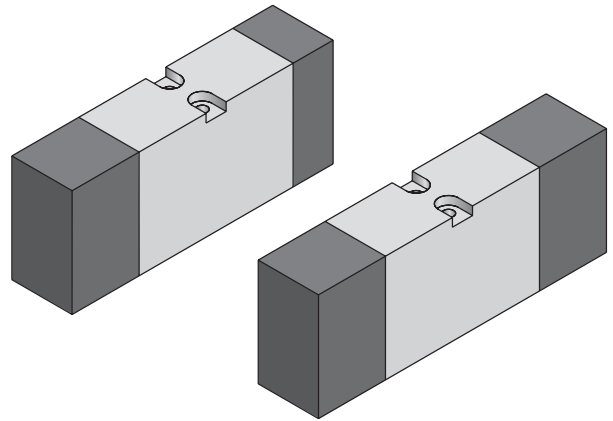
NC : 00.088.0
NA (NO) : 00.306.0

valvole VDMA 18 mm azionamento pneumatico

pneumatically piloted valves - VDMA 18 mm



- Valvole a spola 5/2-5/3
5/2-5/3 spool valves
- A norma VDMA 24563 - taglia 02 (18 mm)
Compliant to norm VDMA 24563 - size 02 (18 mm)
- Montaggio su basi modulari o a posti fissi
Installation on multiple sub-bases or manifolds
- Azionamento pneumatico monostabile o bistabile
Mono-stable or bi-stable pneumatic pilot



Tempi di risposta - response times

| | |
|-----------------------------------|------------------------------------|
| monostabile <i>mono-stable</i> | TRA (14): 12 ms TRR (12): 24 ms |
| bistabile <i>bi-stable</i> | TRA (14): 21 ms TRR (12): 21 ms |

Materiali

Corpo: alluminio 11S
Molle: INOX
Guarnizioni: NBR
Spola: alluminio nichelato
Parti interne: ottone OT58

Materials

Body: aluminium 11S
Springs: stainless steel
Seals: NBR
Spool: nickel plated aluminium
Internal parts: brass OT58

| | | |
|--|---|-------------------------------|
| Diametro nominale <i>Nominal orifice</i> | 5 mm | |
| Portata nominale a 6 bar, Δp 1 bar <i>Nominal flow rate at 6 bar, Δp 1 bar</i> | 550 NI/min | |
| Temperatura di esercizio <i>Temperature range</i> | max +60°C | |
| Pressione di esercizio <i>Working pressure</i> | max 10 bar max 1 MPa | |
| Pressione di azionamento <i>Actuating pressure</i> | monostabile <i>[mono-stable]</i> | bistabile <i>[bi-stable]</i> |
| | 2.5 ... 10 bar 0.25 ... 1 MPa | 1 ... 10 bar 0.1 ... 1 MPa |
| Fluido <i>Fluid</i> | Aria filtrata 50 μ con o senza lubrificazione <i>50μ filtered, lubricated or non lubricated air</i> | |

valvole VDMA 18 mm azionamento pneumatico

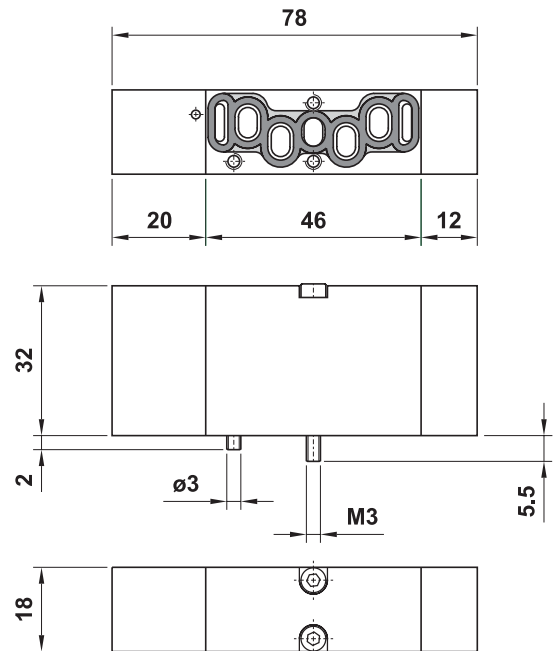
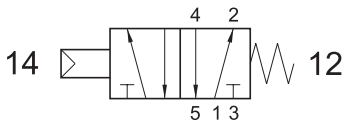
pneumatically piloted valves - VDMA 18 mm



851 MC

5/2 comando pneumatico - ritorno a molla

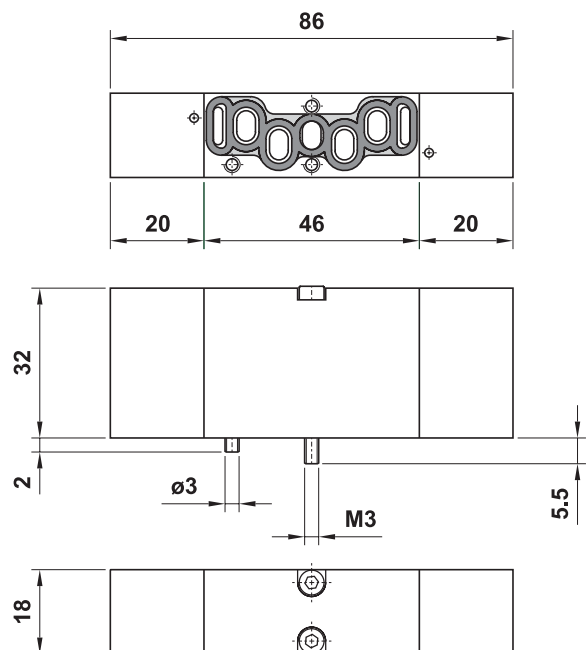
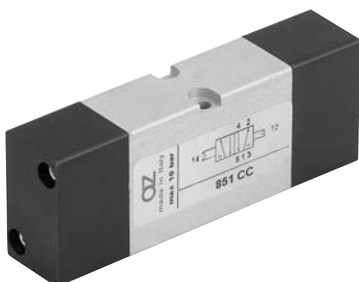
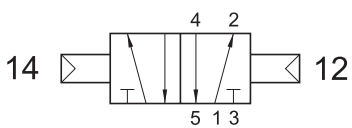
5/2 pneumatic pilot - spring return



851 CC

5/2 doppio comando pneumatico

5/2 double pneumatic pilot



valvole VDMA 18 mm azionamento pneumatico

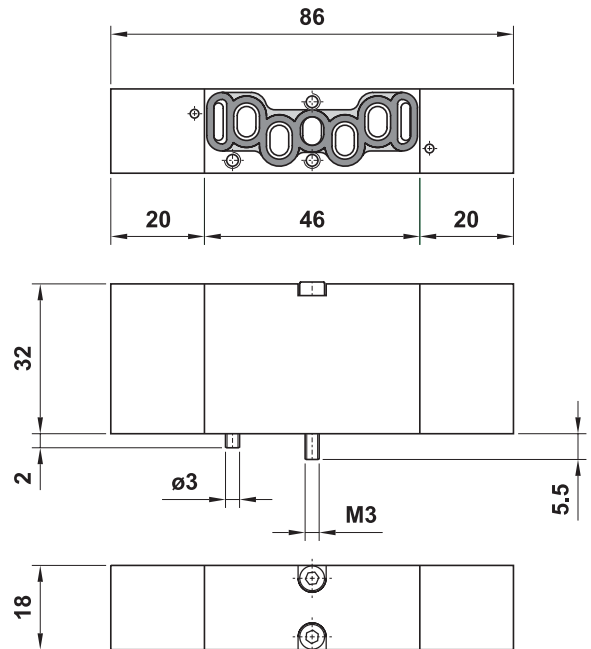
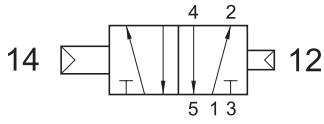
pneumatically piloted valves - VDMA 18 mm



851 CCD

5/2 doppio comando pneumatico - con differenziale

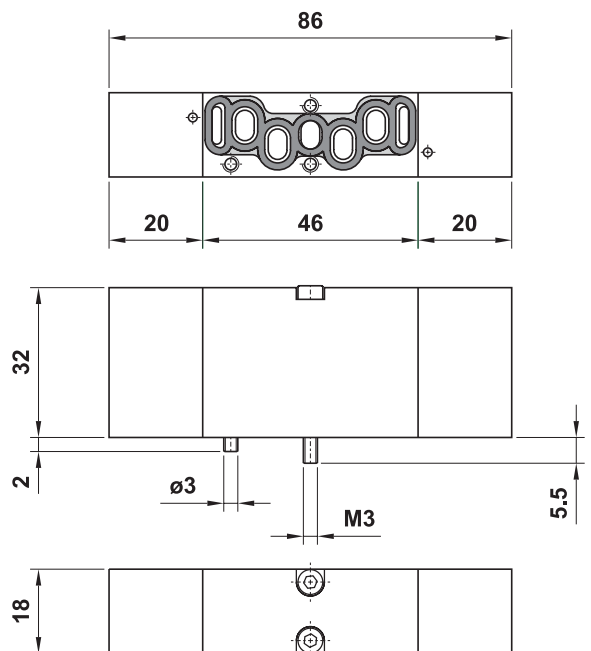
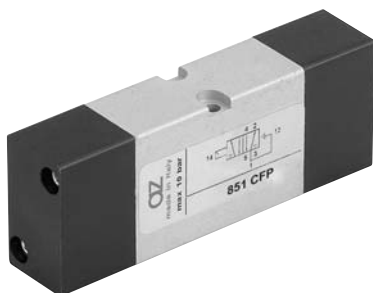
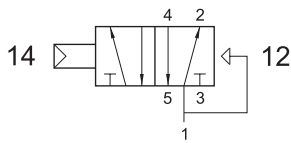
5/2 double pneumatic pilot - with differential



851 CFP

5/2 comando pneumatico - ritorno a molla pneumatica

5/2 pneumatic pilot - pneumatic spring return



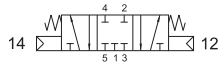
valvole VDMA 18 mm azionamento pneumatico

pneumatically piloted valves - VDMA 18 mm



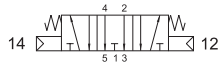
8513C CC

centri chiusi
closed centres



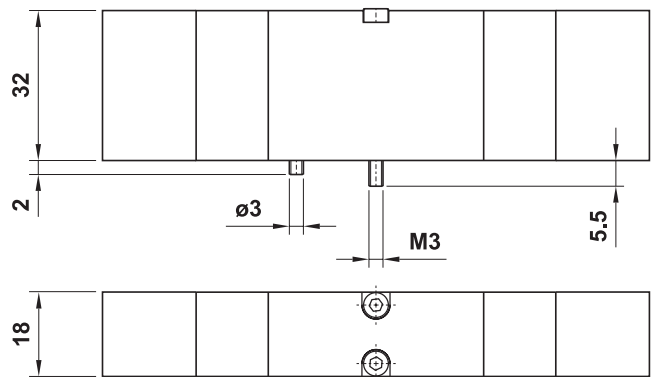
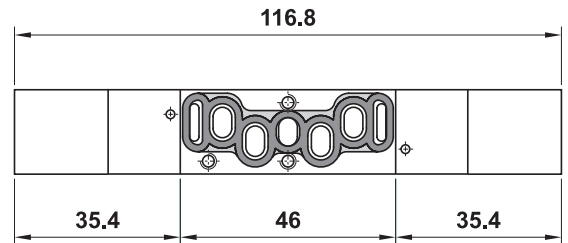
8513A CC

centri aperti
open centres



5/3 doppio comando pneumatico

5/3 double pneumatic pilot

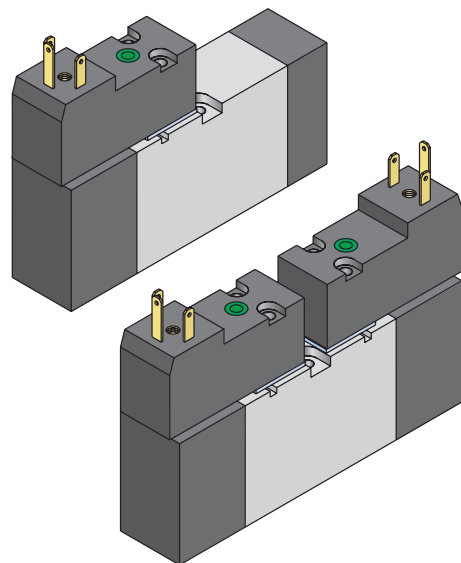


valvole VDMA 18 mm azion. elettropneumatico

solenoid actuated valves - VDMA 18 mm



- Valvole a spola 5/2-5/3
5/2-5/3 spool valves
- A norma VDMA 24563 - taglia 02 (18 mm)
Compliant to norm VDMA 24563 - size 02 (18 mm)
- Montaggio su basi modulari o a posti fissi
Installation on multiple sub-bases or manifolds
- Azionamento elettropneumatico monostabile o bistabile
Mono-stable or bi-stable solenoid pilot
- Elettropilota 15 mm basso assorbimento (2W) a norma DIN 43650, forma C
15 mm low consumption solenoid pilot (2W), compliant to norm DIN 43650, C form
- Azionatore manuale monostabile sull'elettropilota
Non-detented manual override on the solenoid pilot



I prodotti di seguito indicati sono venduti con elettropilota/i montato/i (per i dati tecnici vedi pag. 102).
The following listed products are sold with mounted solenoid pilot(s); for technical data see page 102.

Tempi di risposta - *response times*

| | |
|-----------------------------------|------------------------------------|
| monostabile <i>mono-stable</i> | TRA (14): 13 ms TRR (12): 26 ms |
| bistabile <i>bi-stable</i> | TRA (14): 24 ms TRR (12): 24 ms |

Materiali

Corpo: alluminio 11S
Molle: INOX
Guarnizioni: NBR
Spola: alluminio nichelato
Parti interne: ottone OT58

Materials

Body: aluminium 11S
Springs: stainless steel
Seals: NBR
Spool: nickel plated aluminium
Internal parts: brass OT58

| | | | |
|--|---|--|---|
| Diametro nominale <i>Nominal orifice</i> | | 5 mm | |
| Portata nominale a 6 bar, Δp 1 bar <i>Nominal flow rate at 6 bar, Δp 1 bar</i> | | 550 NI/min | |
| Temperatura di esercizio <i>Temperature range</i> | | max +60°C | |
| Pressione di esercizio <i>Working pressure</i> | al. interna monost. [<i>monost. internal air supply</i>] | al. interna bist. [<i>bi-stable internal air supply</i>] | alim. separata [<i>separate air supply</i>] |
| | 2.5 ... 10 bar 0.25 ... 1 MPa | 1 ... 10 bar 0.1 ... 1 MPa | max 10 bar max 1 MPa |
| Pressione di azionamento (per alimentazione separata) <i>Actuating pressure (for separate air supply)</i> | monostabile [<i>mono-stable</i>] | | bistabile [<i>bi-stable</i>] |
| | 2.5 ... 10 bar 0.25 ... 1 MPa | | 1 ... 10 bar 0.1 ... 1 MPa |
| Fluido <i>Fluid</i> | Aria filtrata 50 μ con o senza lubrificazione <i>50μ filtered, lubricated or non lubricated air</i> | | |

valvole VDMA 18 mm azion. elettropneumatico

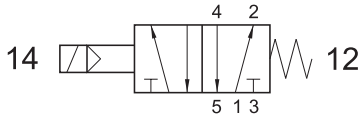
solenoid actuated valves - VDMA 18 mm



851 ME xx

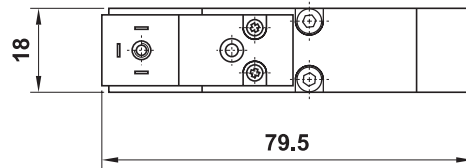
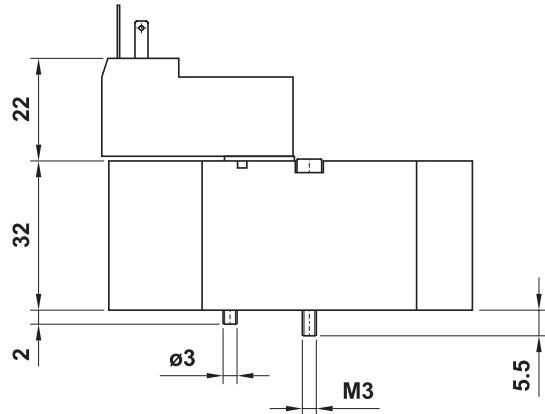
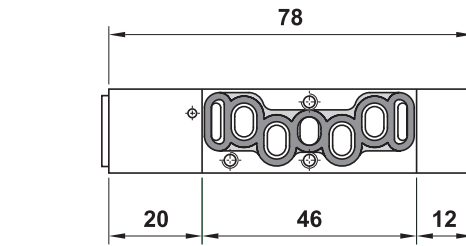
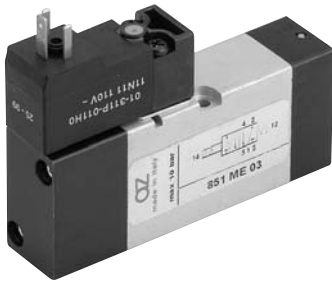
5/2 comando elettrico - ritorno a molla

5/2 solenoid pilot - spring return



Nella sigla del prodotto sostituire le lettere "xx" con l'indicazione della tensione.
In the part number replace "xx" with the reference of the solenoid tension.

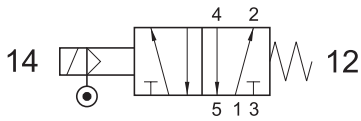
| | |
|--------------|----|
| 12V DC | 00 |
| 24V DC | 01 |
| 24V 50/60Hz | 02 |
| 110V 50/60Hz | 03 |
| 220V 50/60Hz | 04 |



851 ME AS xx

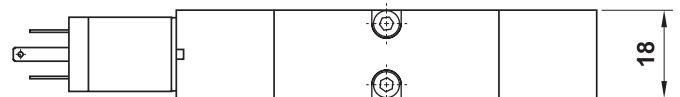
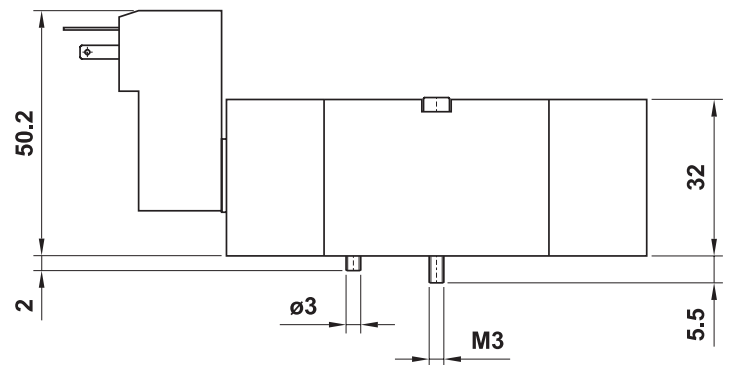
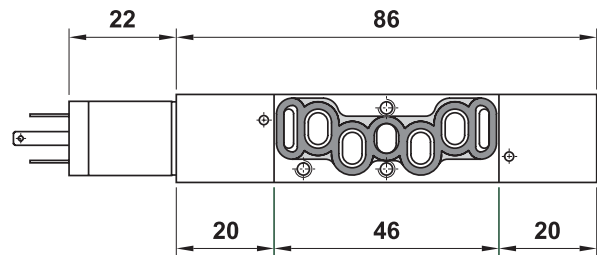
5/2 comando elettrico alimentazione separata - ritorno a molla

5/2 solenoid pilot with separate air supply - spring return



Nella sigla del prodotto sostituire le lettere "xx" con l'indicazione della tensione.
In the part number replace "xx" with the reference of the solenoid tension.

| | |
|--------------|----|
| 12V DC | 00 |
| 24V DC | 01 |
| 24V 50/60Hz | 02 |
| 110V 50/60Hz | 03 |
| 220V 50/60Hz | 04 |



valvole VDMA 18 mm azion. elettropneumatico

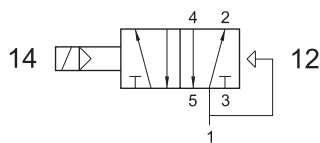
solenoid actuated valves - VDMA 18 mm



851 EFP xx

5/2 comando elettrico - ritorno a molla pneumatica

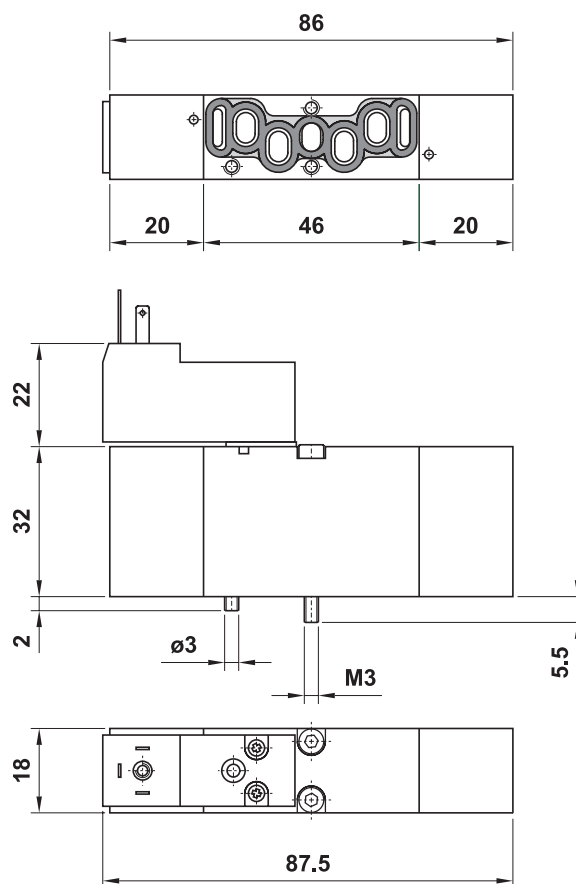
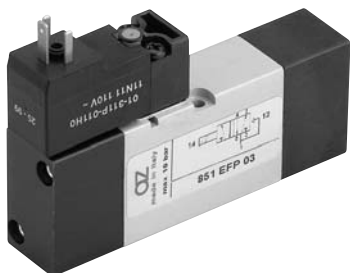
5/2 solenoid pilot - pneumatic spring return



Nella sigla del prodotto sostituire le lettere "xx" con l'indicazione della tensione.

In the part number replace "xx" with the reference of the solenoid tension.

| | |
|--------------|----|
| 12V DC | 00 |
| 24V DC | 01 |
| 24V 50/60Hz | 02 |
| 110V 50/60Hz | 03 |
| 220V 50/60Hz | 04 |



1

valvole VDMA 18 mm azion. elettropneumatico

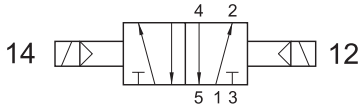
solenoid actuated valves - VDMA 18 mm



851 EE xx

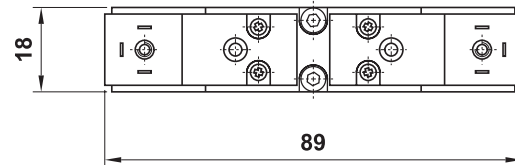
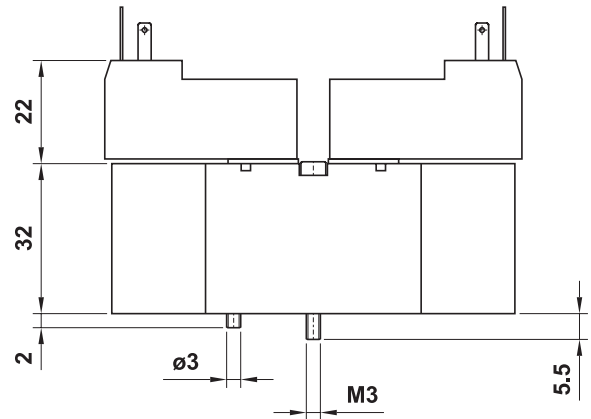
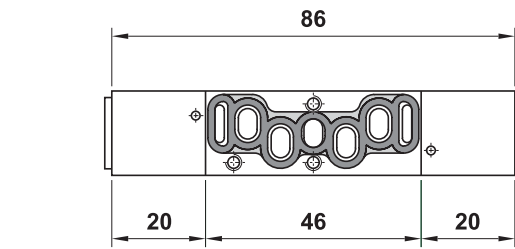
5/2 doppio comando elettrico

5/2 double solenoid pilot



Nella sigla del prodotto sostituire le lettere "xx" con l'indicazione della tensione.
In the part number replace "xx" with the reference of the solenoid tension.

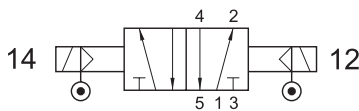
| | |
|--------------|----|
| 12V DC | 00 |
| 24V DC | 01 |
| 24V 50/60Hz | 02 |
| 110V 50/60Hz | 03 |
| 220V 50/60Hz | 04 |



851 EE AS xx

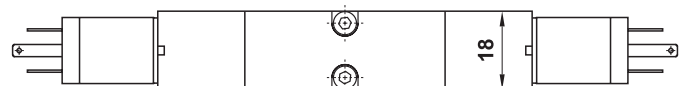
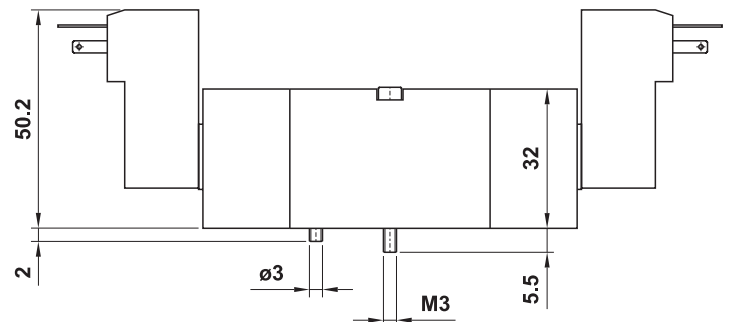
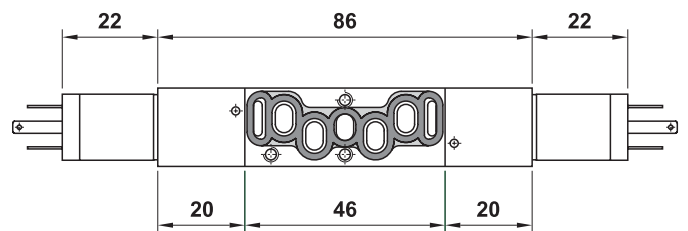
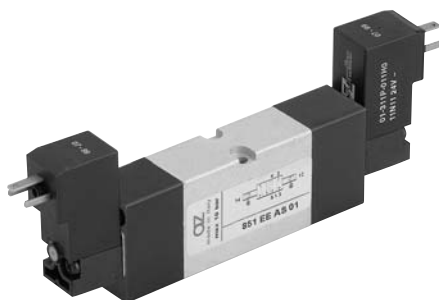
5/2 doppio comando elettrico alimentazione separata

5/2 double solenoid pilot with separate air supply



Nella sigla del prodotto sostituire le lettere "xx" con l'indicazione della tensione.
In the part number replace "xx" with the reference of the solenoid tension.

| | |
|--------------|----|
| 12V DC | 00 |
| 24V DC | 01 |
| 24V 50/60Hz | 02 |
| 110V 50/60Hz | 03 |
| 220V 50/60Hz | 04 |



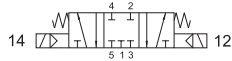
valvole VDMA 18 mm azion. elettropneumatico

solenoid actuated valves - VDMA 18 mm



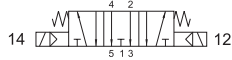
8513C EE xx

centri chiusi
closed centres



8513A EE xx

centri aperti
open centres

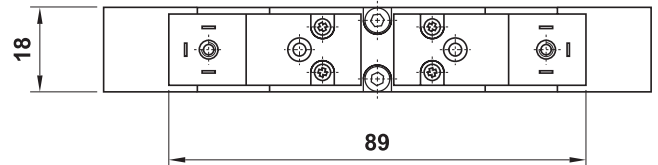
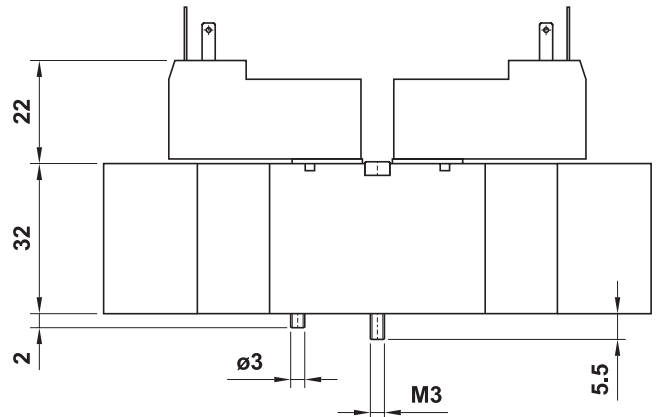
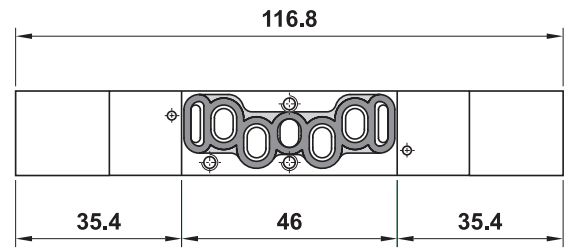


5/3 doppio comando elettrico

5/3 double solenoid pilot

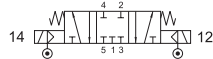
Nella sigla del prodotto sostituire le lettere "xx" con l'indicazione della tensione.
In the part number replace "xx" with the reference of the solenoid tension.

| | |
|--------------|----|
| 12V DC | 00 |
| 24V DC | 01 |
| 24V 50/60Hz | 02 |
| 110V 50/60Hz | 03 |
| 220V 50/60Hz | 04 |



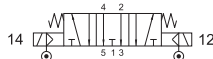
8513C EE AS xx

centri chiusi
closed centres



8513A EE AS xx

centri aperti
open centres

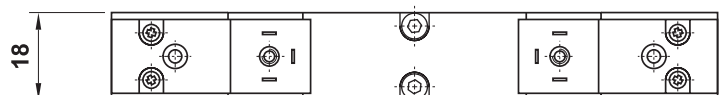
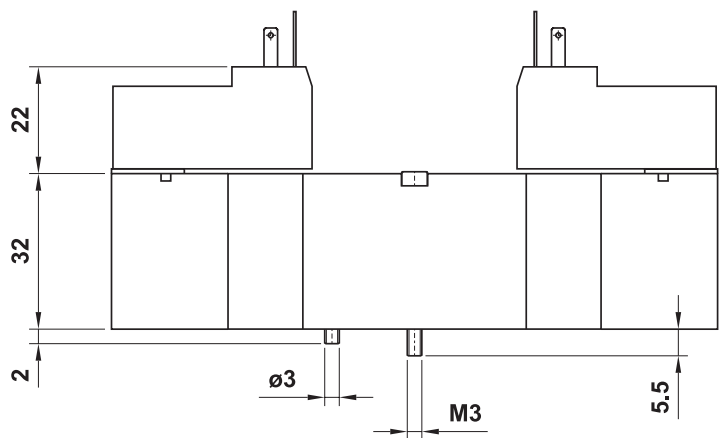
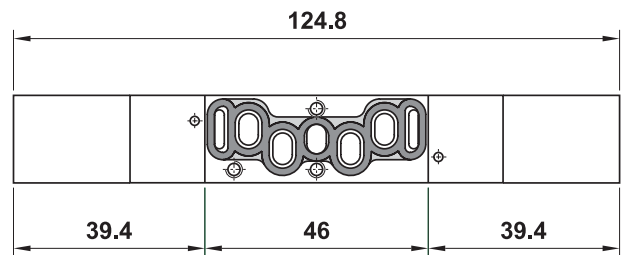
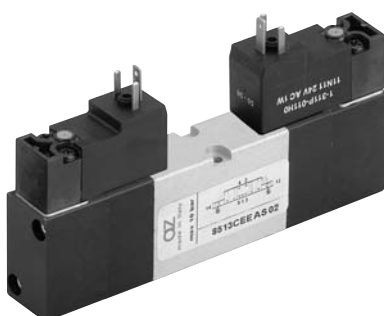


5/3 doppio comando elettrico alimentazione separata

5/3 double solenoid pilot with separate air supply

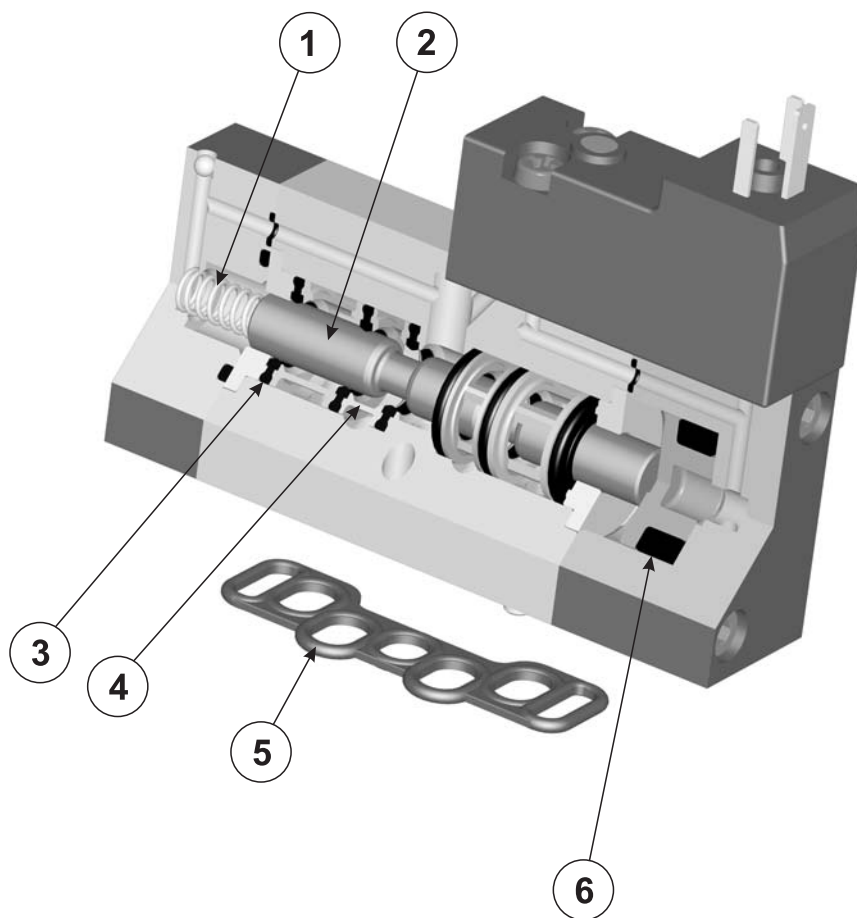
Nella sigla del prodotto sostituire le lettere "xx" con l'indicazione della tensione.
In the part number replace "xx" with the reference of the solenoid tension.

| | |
|--------------|----|
| 12V DC | 00 |
| 24V DC | 01 |
| 24V 50/60Hz | 02 |
| 110V 50/60Hz | 03 |
| 220V 50/60Hz | 04 |



ricambi per valvole VDMA 18 mm

spare parts for 18 mm VDMA valves



1. Molla: acciaio [spring: steel]
2. Spola: alluminio 11S nichelato [spool: aluminium 11S, nickeled]
3. Guarnizione cassetto: NBR [seal for spool: NBR]
4. Distanziale cassetto: ottone [brass]
5. Guarnizione corpo VDMA: NBR [seal for valve body VDMA: NBR]
6. Guarnizione DE per pistone: NBR [seal DE for piston: NBR]

| codice kit code of kit | utilizzabile per suitable for | | |
|---------------------------|----------------------------------|-------------|-------------|
| 05.050.2 | 851 MC | 851 ME | |
| 05.051.2 | 851 CC | 851 EE | 851 EE AS |
| 05.052.2 | 8513C CC | 8513A CC | 8513C EE |
| | 8513A EE | 8513C EE AS | 8513A EE AS |
| 05.048.2 | 851 CCD | 851 CFP | 851 EFP |
| 05.049.2 | 851 ME AS | | |

sottobasi modulari per valvole VDMA 18 mm

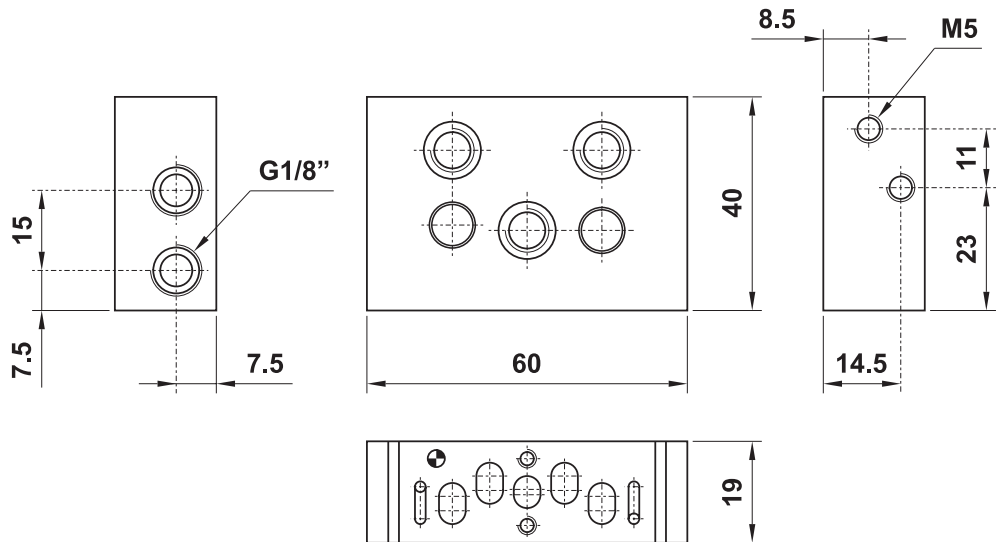
multiple sub-bases for 18 mm VDMA valves



sottobase modulare modular sub-base

CODICE DI ORDINAZIONE
ORDER CODE

BM851

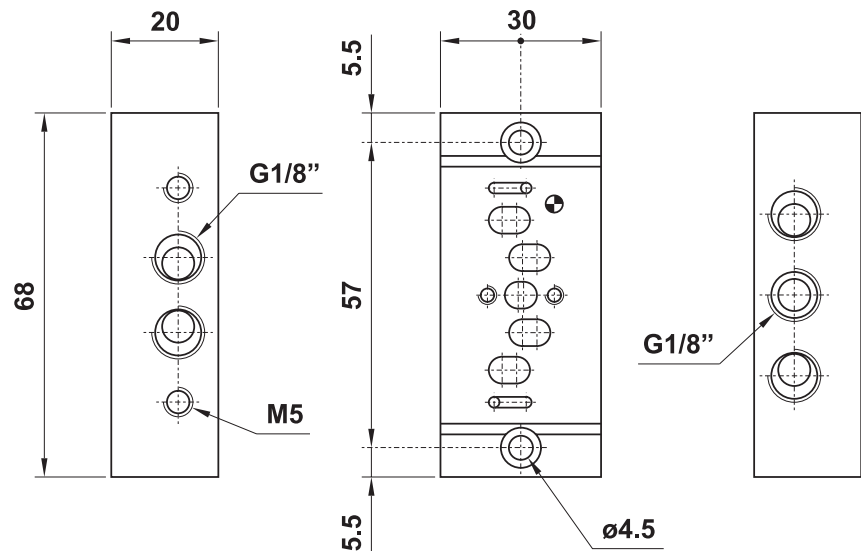
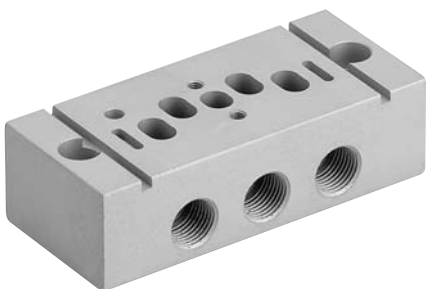


È venduta in kit con i particolari necessari al suo assemblaggio.
It is sold in kit with all necessary pieces for installation.

sottobase singola individual sub-base

CODICE DI ORDINAZIONE
ORDER CODE

BS851



sottobasi modulari per valvole VDMA 18 mm

multiple sub-bases for 18 mm VDMA valves



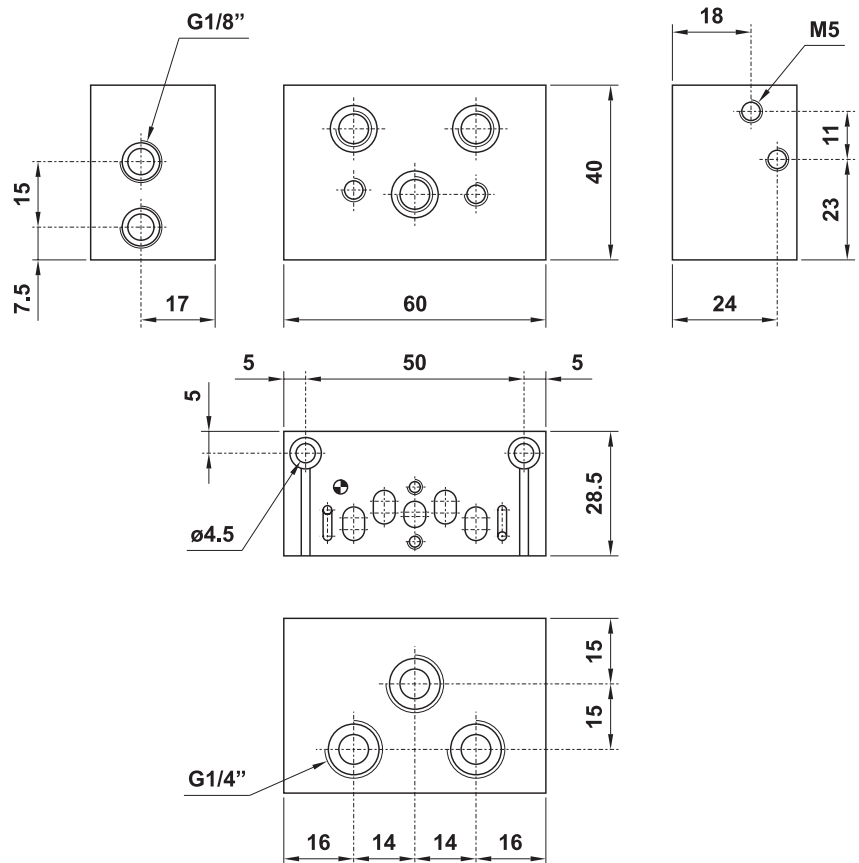
terminale (con base) sinistro left hand header (with sub-base)

CODICE DI ORDINAZIONE
ORDER CODE

TS851

Questo terminale integra una base per il montaggio della valvola.

This header includes one sub-base for valve installation.



È venduto in kit con i particolari necessari al suo assemblaggio.

It is sold in kit with all necessary pieces for installation.

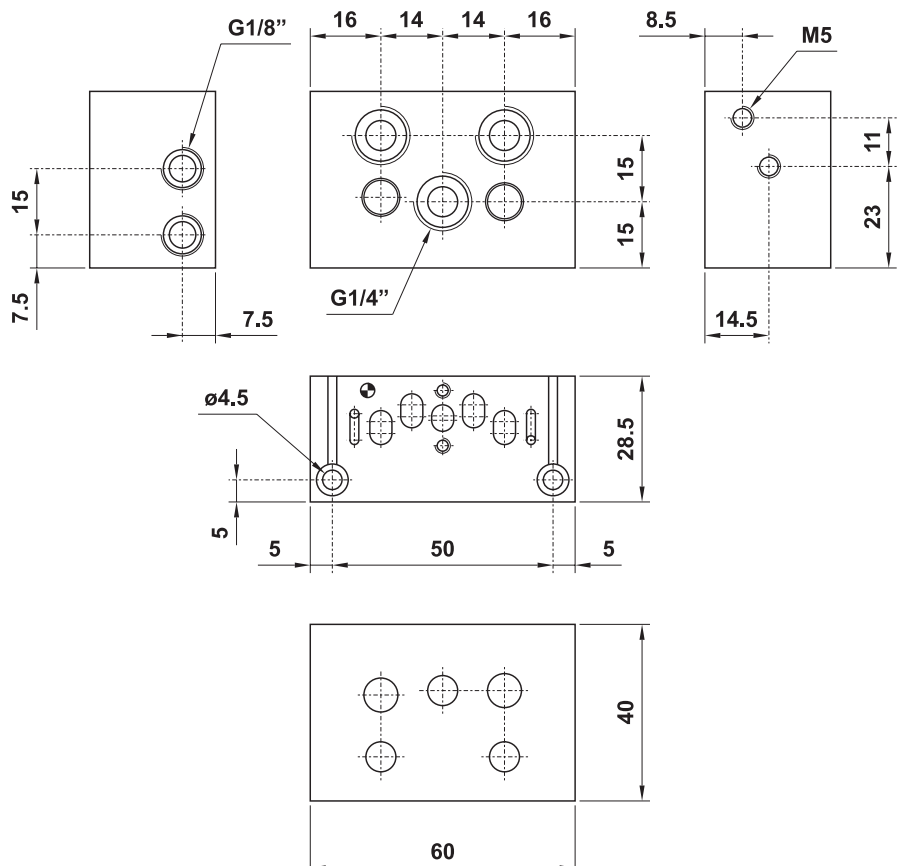
terminale (con base) destro right hand header (with sub-base)

CODICE DI ORDINAZIONE
ORDER CODE

TD851

Questo terminale integra una base per il montaggio della valvola.

This header includes one sub-base for valve installation.



È venduto in kit con i particolari necessari al suo assemblaggio.

It is sold in kit with all necessary pieces for installation.

sottobasi modulari per valvole VDMA 18 mm

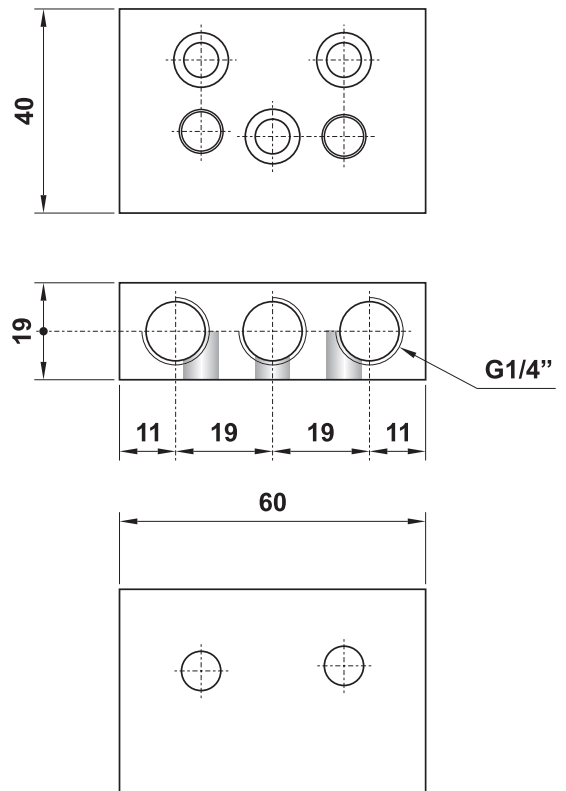
multiple sub-bases for 18 mm VDMA valves



intermedio
intermediate header

CODICE DI ORDINAZIONE
ORDER CODE

DR851

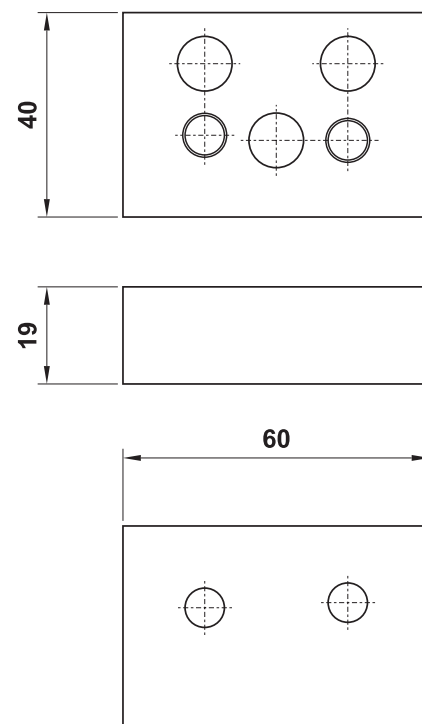


È venduto in kit con i particolari necessari al suo assemblaggio.
It is sold in kit with all necessary pieces for installation.

diaframma
blanking piece

CODICE DI ORDINAZIONE
ORDER CODE

DC851



È venduto in kit con i particolari necessari al suo assemblaggio.
It is sold in kit with all necessary pieces for installation.

sottobasi modulari per valvole VDMA 18 mm

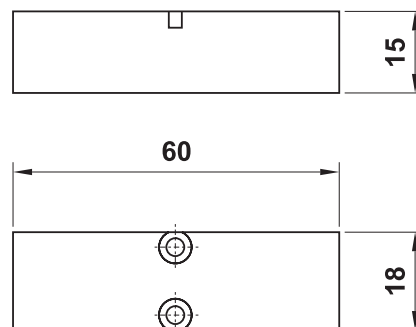
multiple sub-bases for 18 mm VDMA valves



piastrina di chiusura blanking plate

CODICE DI ORDINAZIONE
ORDER CODE

CS851

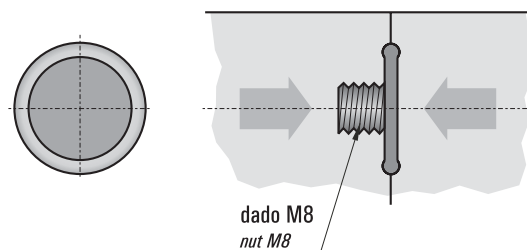


È venduta in kit con i particolari necessari al suo assemblaggio.
It is sold in kit with all necessary pieces for installation.

guarnizione diaframma diaphragm gasket

CODICE DI ORDINAZIONE
ORDER CODE

DF851



Da inserirsi tra due sottobasi modulari per bloccare il flusso d'aria e dividere una batteria di valvole in zone alimentabili a pressioni diverse.

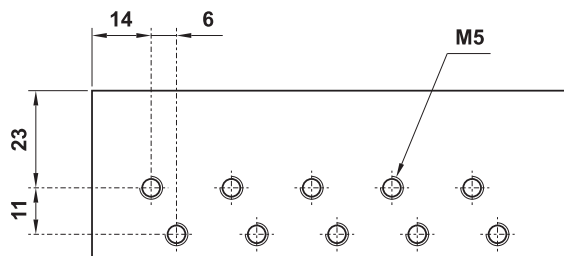
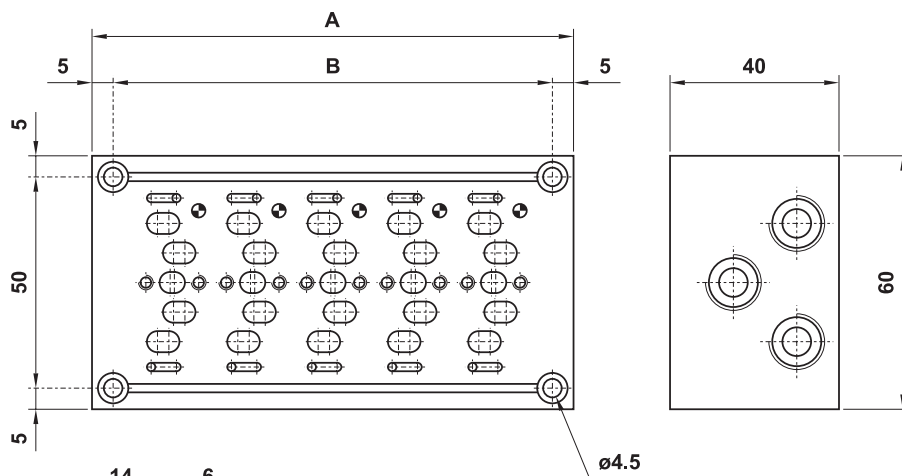
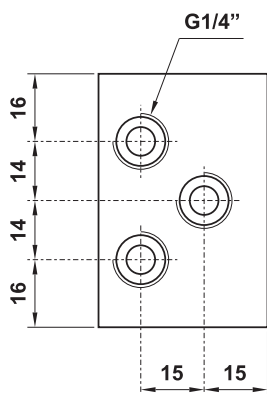
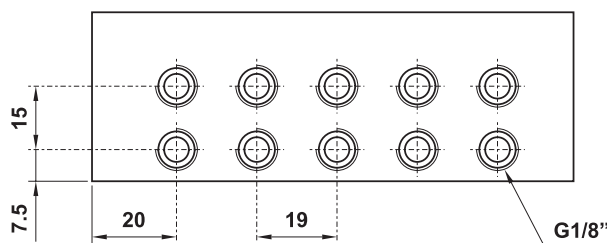
To be inserted between two sub-bases to stop the air flow and divide the manifold into separate zones.

sottobasi a posti fissi valvole VDMA 18 mm

manifolds for 18 mm VDMA valves



- Scarichi convogliati
Common exhaust
- Pilotaggi separati per ogni valvola
Individual pilot for each valve
- Materiale: alluminio anodizzato
Material: aluminium (anodize treatment)
- Sottobasi speciali a richiesta
Special manifolds on request



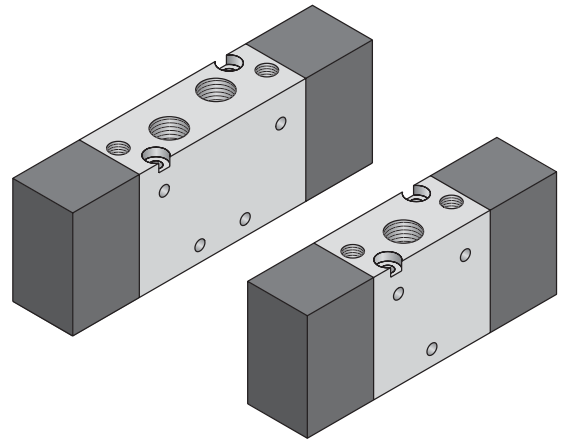
| modello model | nr. posizioni no. stations | A | B |
|------------------|-------------------------------|-----|-----|
| 05.052.1 | 2 | 57 | 47 |
| 05.053.1 | 3 | 76 | 66 |
| 05.054.1 | 4 | 95 | 85 |
| 05.055.1 | 5 | 114 | 104 |
| 05.056.1 | 6 | 133 | 123 |
| 05.057.1 | 7 | 152 | 142 |
| 05.058.1 | 8 | 171 | 161 |
| 05.059.1 | 9 | 190 | 180 |
| 05.060.1 | 10 | 209 | 199 |
| 05.113.1 | 11 | 228 | 218 |
| 05.114.1 | 12 | 247 | 237 |

valvole 18 mm ad azionamento pneumatico

pneumatically piloted valves - 18 mm



- Valvole a spola 3/2-5/2-5/3 con attacchi filettati G1/8"
3/2-5/2-5/3 spool valves with G1/8" threaded ports
- Spessore della valvola: 18 mm
Valve thickness: 18 mm
- Montaggio in linea, su basi modulari o a posti fissi
Installation in-line, on multiple sub-bases or manifolds
- Azionamento pneumatico monostabile o bistabile
Mono-stable or bi-stable pneumatic pilot



Tempi di risposta - response times

| | |
|-----------------------------------|------------------------------------|
| monostabile <i>mono-stable</i> | TRA (14): 12 ms TRR (12): 24 ms |
| bistabile <i>bi-stable</i> | TRA (14): 21 ms TRR (12): 21 ms |

Materiali

Corpo: alluminio 11S
Molle: INOX
Guarnizioni: NBR
Spola: alluminio nichelato
Parti interne: ottone OT58

Materials

Body: aluminium 11S
Springs: stainless steel
Seals: NBR
Spool: nickel plated aluminium
Internal parts: brass OT58

| | | |
|--|---|--------------------------------|
| Diametro nominale <i>Nominal orifice</i> | 4.5 mm | |
| Portata nominale a 6 bar, Δp 1 bar <i>Nominal flow rate at 6 bar, Δp 1 bar</i> | 500 Nl/min | |
| Temperatura di esercizio <i>Temperature range</i> | max +60°C | |
| Pressione di esercizio <i>Working pressure</i> | max 10 bar max 1 MPa | |
| Pressione di azionamento <i>Actuating pressure</i> | monostabile [<i>mono-stable</i>] | bistabile [<i>bi-stable</i>] |
| | 3 ... 10 bar 0.3 ... 1 MPa | 2 ... 10 bar 0.2 ... 1 MPa |
| Fluido <i>Fluid</i> | Aria filtrata 50 μ con o senza lubrificazione <i>50μ filtered, lubricated or non lubricated air</i> | |

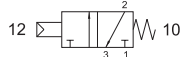
valvole 18 mm ad azionamento pneumatico

pneumatically piloted valves - 18 mm



731 MC

normalmente chiusa
normally closed



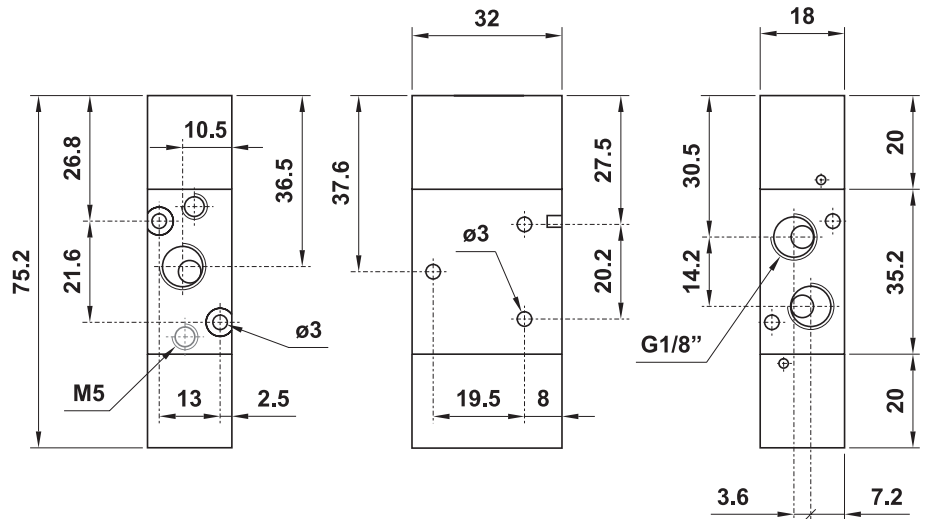
731 MCA

normalmente aperta
normally open



3/2 1/8" comando pneumatico - ritorno a molla

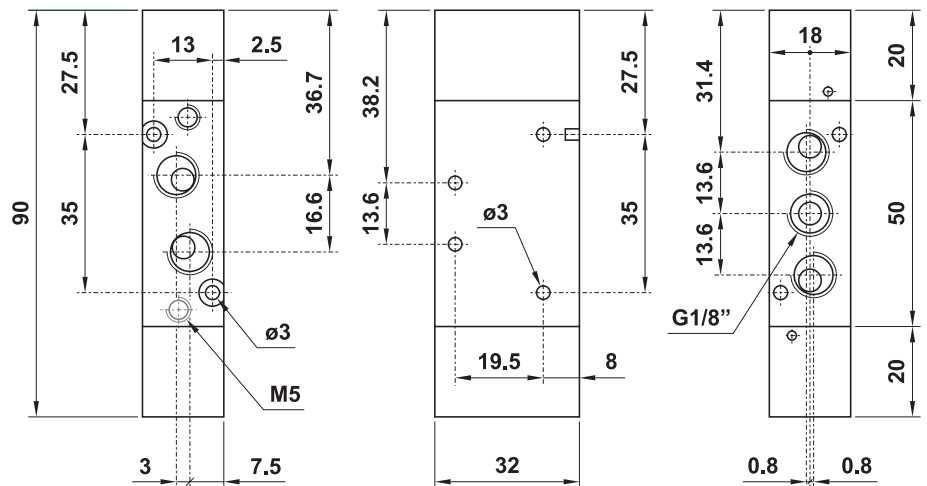
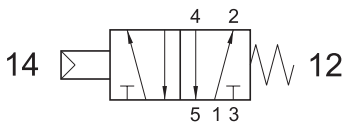
3/2 1/8" *pneumatic pilot - spring return*



751 MC

5/2 1/8" comando pneumatico - ritorno a molla

5/2 1/8" *pneumatic pilot - spring return*



valvole 18 mm ad azionamento pneumatico

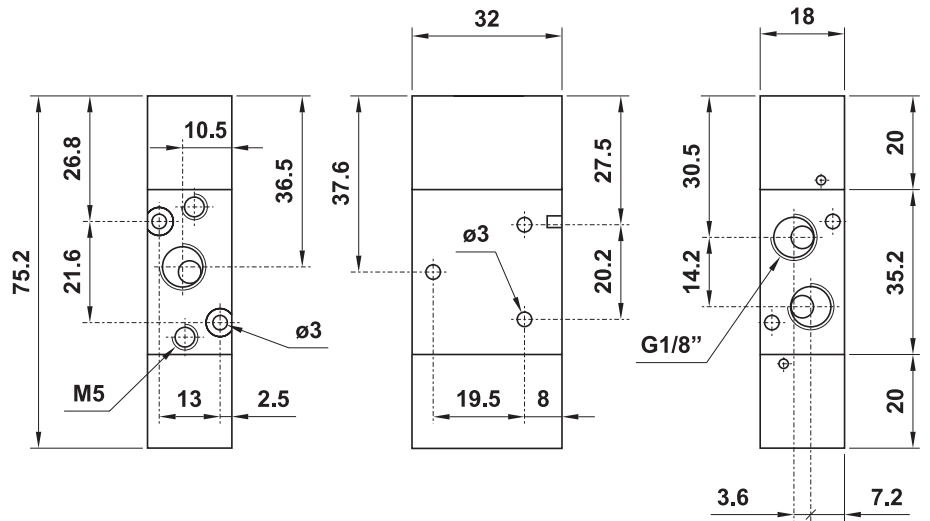
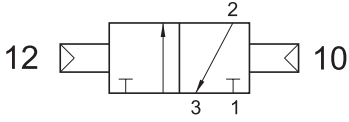
pneumatically piloted valves - 18 mm



731 CC

3/2 1/8" doppio comando pneumatico

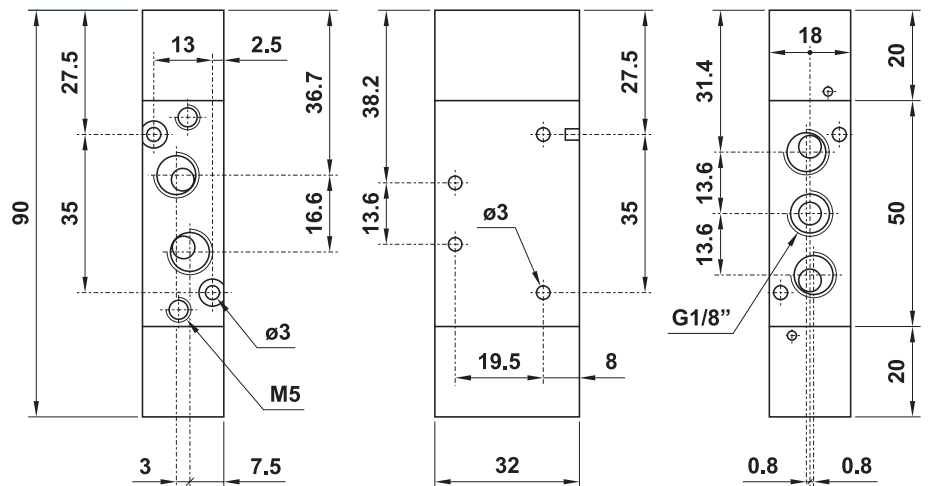
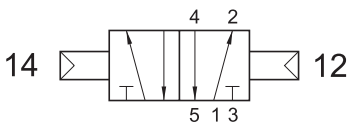
3/2 1/8" double pneumatic pilot



751 CC

5/2 1/8" doppio comando pneumatico

5/2 1/8" double pneumatic pilot



valvole 18 mm ad azionamento pneumatico

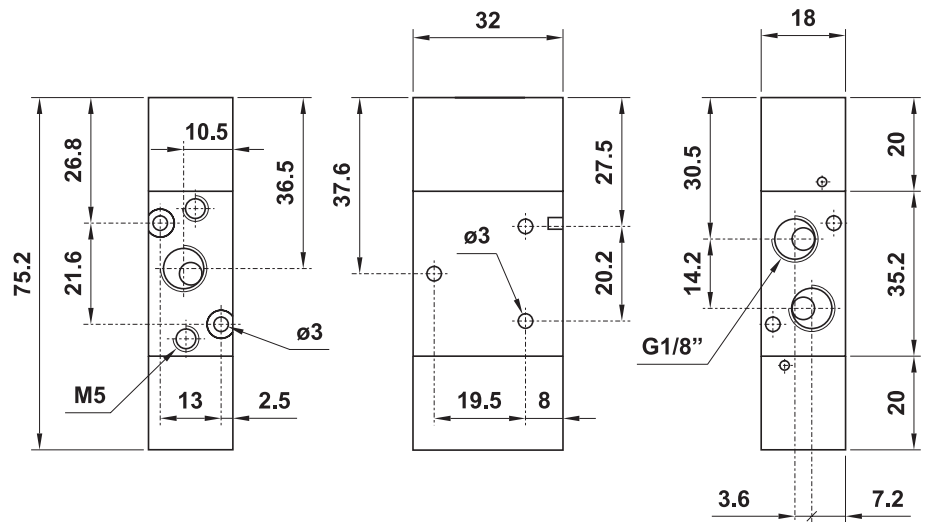
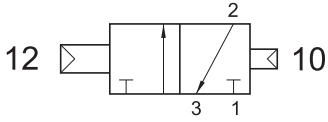
pneumatically piloted valves - 18 mm



731 CCD

3/2 1/8" doppio comando pneumatico - con differenziale

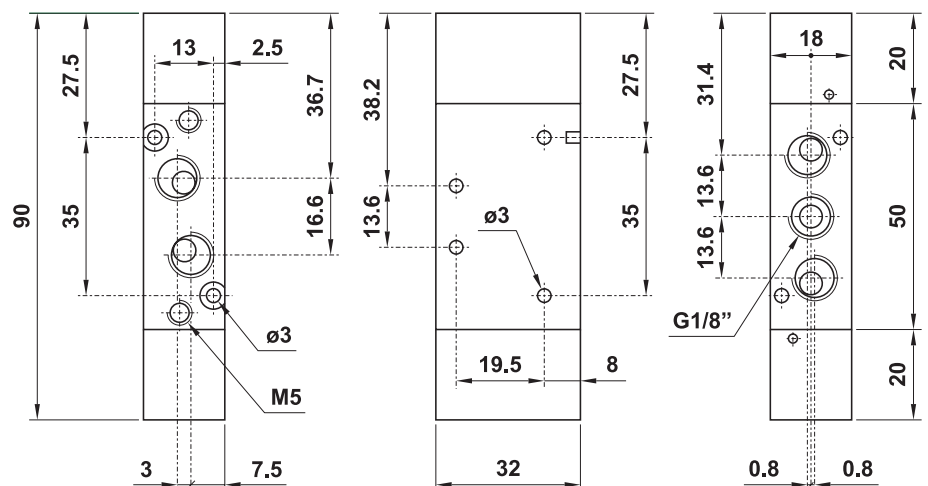
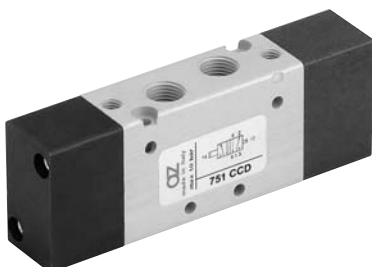
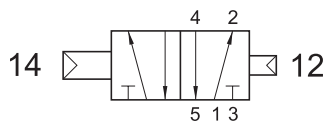
3/2 1/8" double pneumatic pilot - with differential



751 CCD

5/2 1/8" doppio comando pneumatico - con differenziale

5/2 1/8" double pneumatic pilot - with differential



valvole 18 mm ad azionamento pneumatico

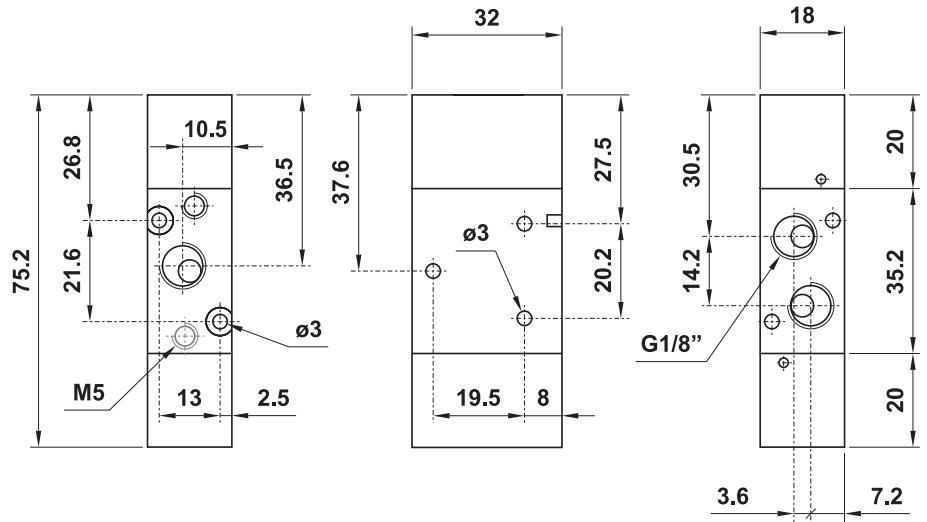
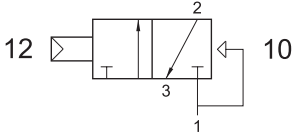
pneumatically piloted valves - 18 mm



731 CFP

3/2 1/8" NC comando pneumatico - ritorno a molla pneumatica

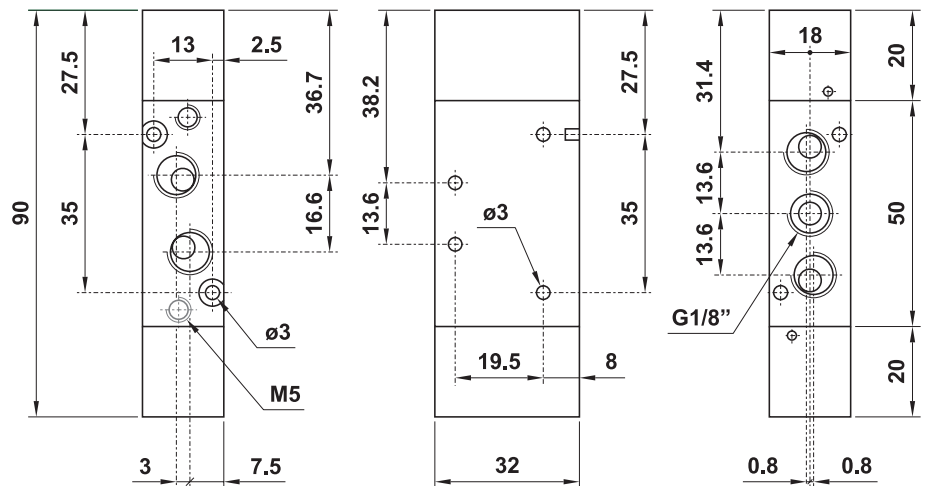
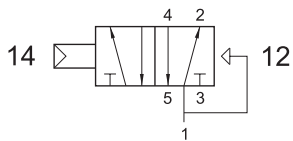
3/2 1/8" NC pneumatic pilot - pneumatic spring return



751 CFP

5/2 1/8" comando pneumatico - ritorno a molla pneumatica

5/2 1/8" pneumatic pilot - pneumatic spring return



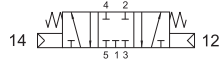
valvole 18 mm ad azionamento pneumatico

pneumatically piloted valves - 18 mm



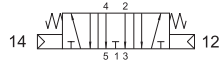
7513C CC

centri chiusi
closed centres



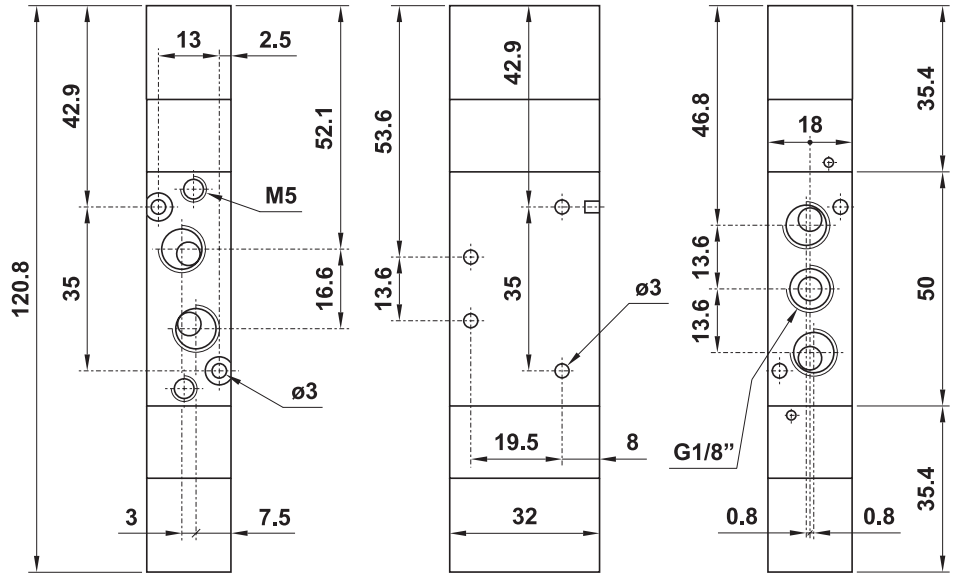
7513A CC

centri aperti
open centres



5/3 1/8" doppio comando pneumatico

5/3 1/8" double pneumatic pilot

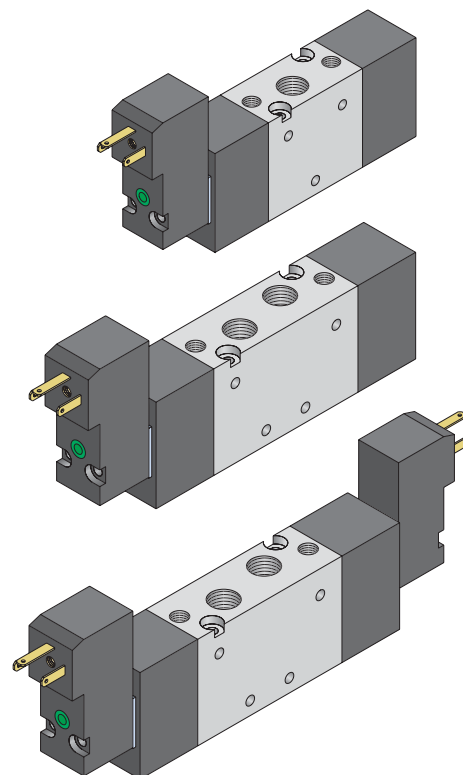


valvole 18 mm ad azion. elettropneumatico

solenoid actuated valves - 18 mm



- Valvole a spola 3/2-5/2-5/3 con attacchi filettati G1/8"
3/2-5/2-5/3 spool valves with G1/8" threaded ports
- Spessore della valvola: 18 mm
Valve thickness: 18 mm
- Montaggio in linea, su basi modulari o a posti fissi
Installation in-line, on multiple sub-bases or manifolds
- Azionamento elettropneumatico monostabile o bistabile
Mono-stable or bi-stable solenoid pilot
- Elettropilota 15 mm basso assorbimento (2W) a norma DIN 43650, forma C
15 mm low consumption solenoid pilot (2W), compliant to norm DIN 43650, C form
- Azionatore manuale monostabile sull'elettropilota
Non-detented manual override on the solenoid pilot



I prodotti di seguito indicati sono venduti con elettropilota/i montato/i (per i dati tecnici vedi pag. 102).
The following listed products are sold with mounted solenoid pilot(s); for technical data see page 102.

Tempi di risposta - *response times*

| | |
|-----------------------------------|------------------------------------|
| monostabile <i>mono-stable</i> | TRA (14): 13 ms TRR (12): 26 ms |
| bistabile <i>bi-stable</i> | TRA (14): 24 ms TRR (12): 24 ms |

Materiali

Corpo: alluminio 11S
Molle: INOX
Guarnizioni: NBR
Spola: alluminio nichelato
Parti interne: ottone OT58

Materials

Body: aluminium 11S
Springs: stainless steel
Seals: NBR
Spool: nickel plated aluminium
Internal parts: brass OT58

| | | | |
|--|---|--|---|
| Diametro nominale <i>Nominal orifice</i> | | 4.5 mm | |
| Portata nominale a 6 bar, Δp 1 bar <i>Nominal flow rate at 6 bar, Δp 1 bar</i> | | 500 NI/min | |
| Temperatura di esercizio <i>Temperature range</i> | | max +60°C | |
| Pressione di esercizio <i>Working pressure</i> | al. interna monost. [<i>monost. internal air supply</i>] | al. interna bist. [<i>bi-stable internal air supply</i>] | alim. separata [<i>separate air supply</i>] |
| | 3 ... 10 bar 0.3 ... 1 MPa | 2 ... 10 bar 0.2 ... 1 MPa | max 10 bar max 1 MPa |
| Pressione di azionamento (per alimentazione separata) <i>Actuating pressure (for separate air supply)</i> | monostabile [<i>mono-stable</i>] | | bistabile [<i>bi-stable</i>] |
| | 3 ... 10 bar 0.3 ... 1 MPa | | 2 ... 10 bar 0.2 ... 1 MPa |
| Fluido <i>Fluid</i> | Aria filtrata 50 μ con o senza lubrificazione <i>50μ filtered, lubricated or non lubricated air</i> | | |

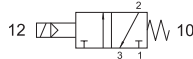
valvole 18 mm ad azion. elettropneumatico

solenoid actuated valves - 18 mm



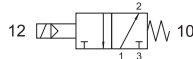
731 ME xx

normalmente chiusa
normally closed



731 MEA xx

normalmente aperta
normally open

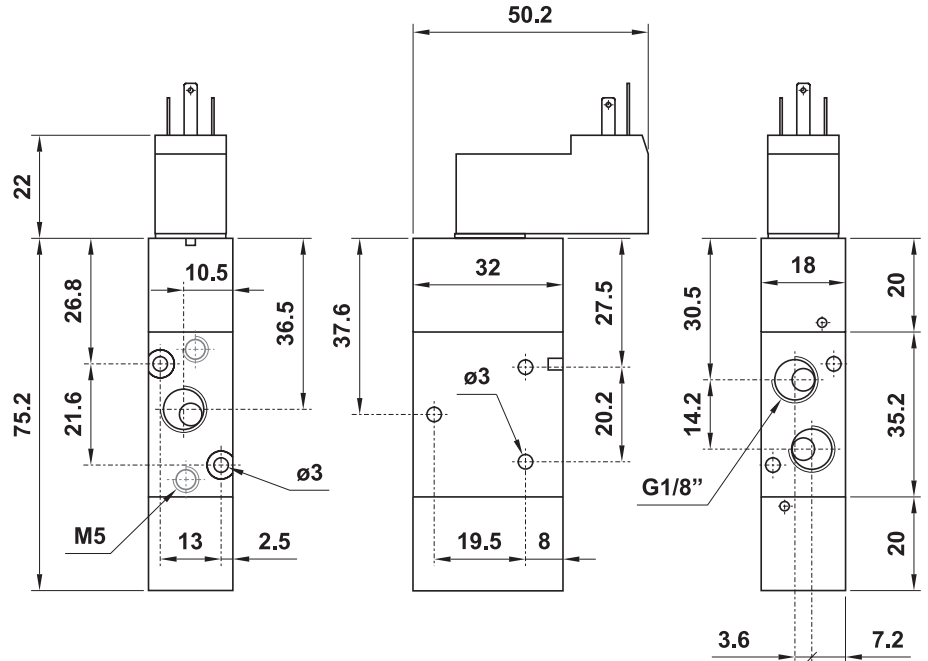
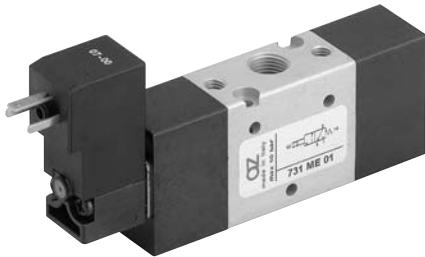


3/2 1/8" comando elettrico - ritorno a molla

3/2 1/8" solenoid pilot - spring return

Nella sigla del prodotto sostituire le lettere "xx" con l'indicazione della tensione.
In the part number replace "xx" with the reference of the solenoid tension.

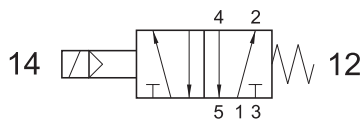
| | |
|--------------|----|
| 12V DC | 00 |
| 24V DC | 01 |
| 24V 50/60Hz | 02 |
| 110V 50/60Hz | 03 |
| 220V 50/60Hz | 04 |



751 ME xx

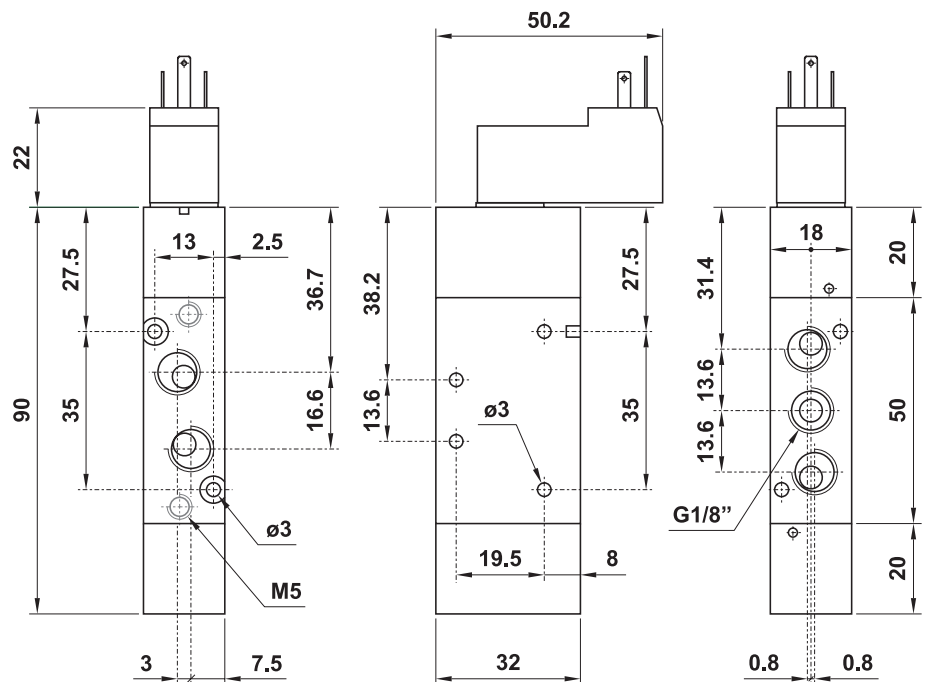
5/2 1/8" comando elettrico - ritorno a molla

5/2 1/8" solenoid pilot - spring return



Nella sigla del prodotto sostituire le lettere "xx" con l'indicazione della tensione.
In the part number replace "xx" with the reference of the solenoid tension.

| | |
|--------------|----|
| 12V DC | 00 |
| 24V DC | 01 |
| 24V 50/60Hz | 02 |
| 110V 50/60Hz | 03 |
| 220V 50/60Hz | 04 |



valvole 18 mm ad azion. elettropneumatico

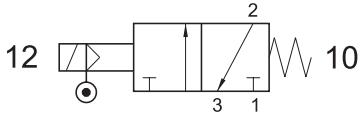
solenoid actuated valves - 18 mm



731 ME AS xx

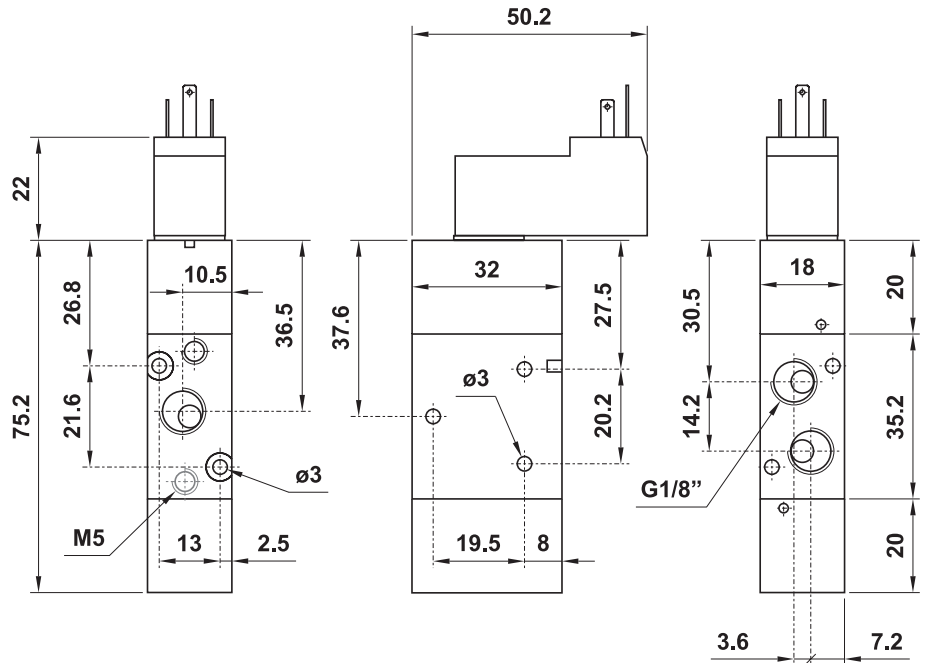
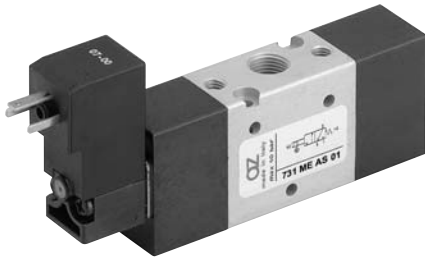
3/2 1/8" comando elettrico alimentazione separata - ritorno a molla

3/2 1/8" solenoid pilot with separate air supply - spring return



Nella sigla del prodotto sostituire le lettere "xx" con l'indicazione della tensione.
In the part number replace "xx" with the reference of the solenoid tension.

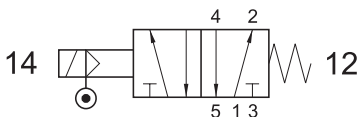
| | |
|--------------|----|
| 12V DC | 00 |
| 24V DC | 01 |
| 24V 50/60Hz | 02 |
| 110V 50/60Hz | 03 |
| 220V 50/60Hz | 04 |



751 ME AS xx

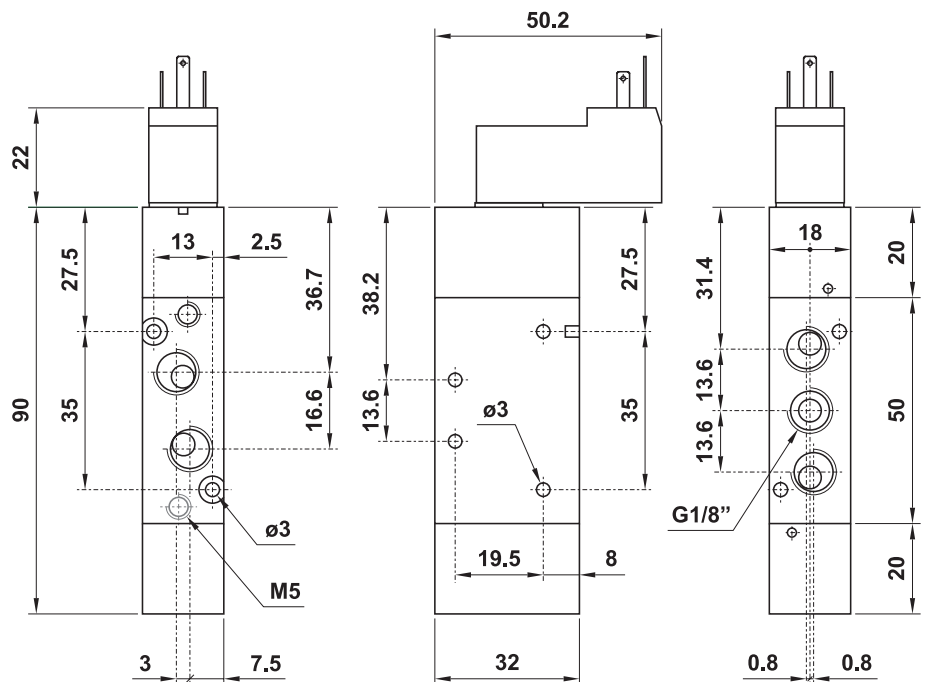
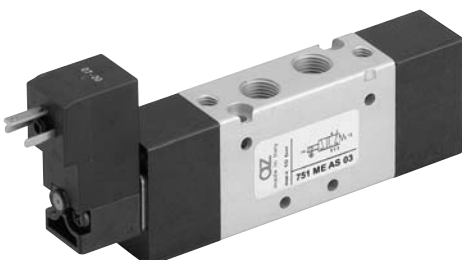
5/2 1/8" comando elettrico alimentazione separata - ritorno a molla

5/2 1/8" solenoid pilot with separate air supply - spring return



Nella sigla del prodotto sostituire le lettere "xx" con l'indicazione della tensione.
In the part number replace "xx" with the reference of the solenoid tension.

| | |
|--------------|----|
| 12V DC | 00 |
| 24V DC | 01 |
| 24V 50/60Hz | 02 |
| 110V 50/60Hz | 03 |
| 220V 50/60Hz | 04 |



valvole 18 mm ad azion. elettropneumatico

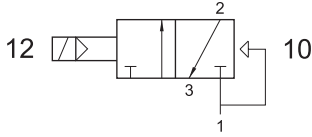
solenoid actuated valves - 18 mm



731 EFP xx

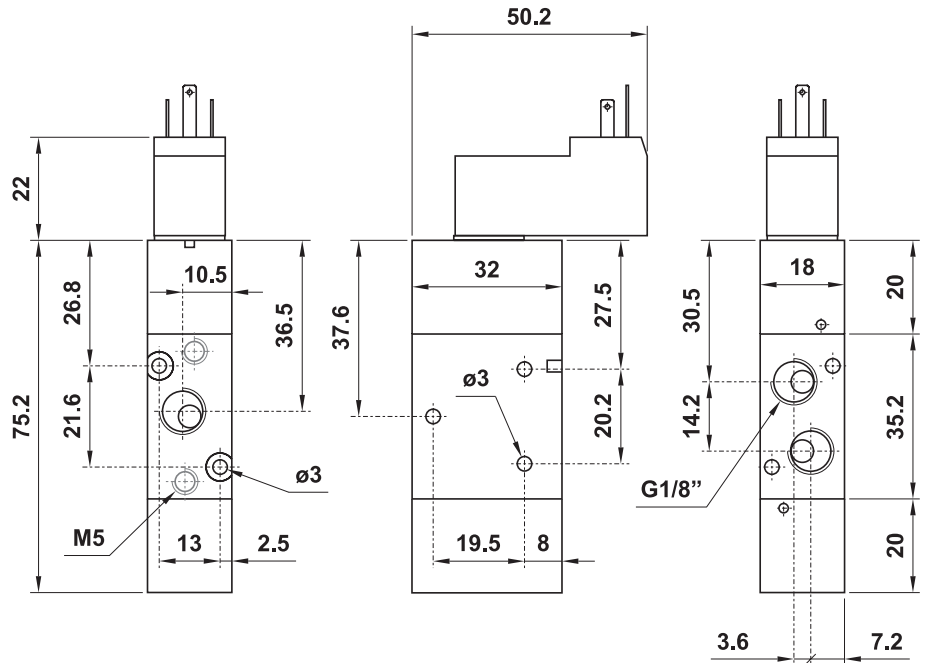
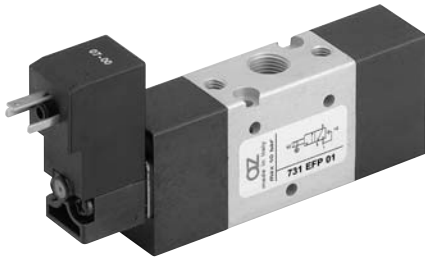
3/2 1/8" comando elettrico - ritorno a molla pneumatica

3/2 1/8" solenoid pilot - pneumatic spring return



Nella sigla del prodotto sostituire le lettere "xx" con l'indicazione della tensione.
In the part number replace "xx" with the reference of the solenoid tension.

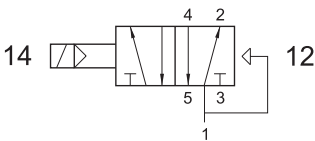
| | |
|--------------|----|
| 12V DC | 00 |
| 24V DC | 01 |
| 24V 50/60Hz | 02 |
| 110V 50/60Hz | 03 |
| 220V 50/60Hz | 04 |



751 EFP xx

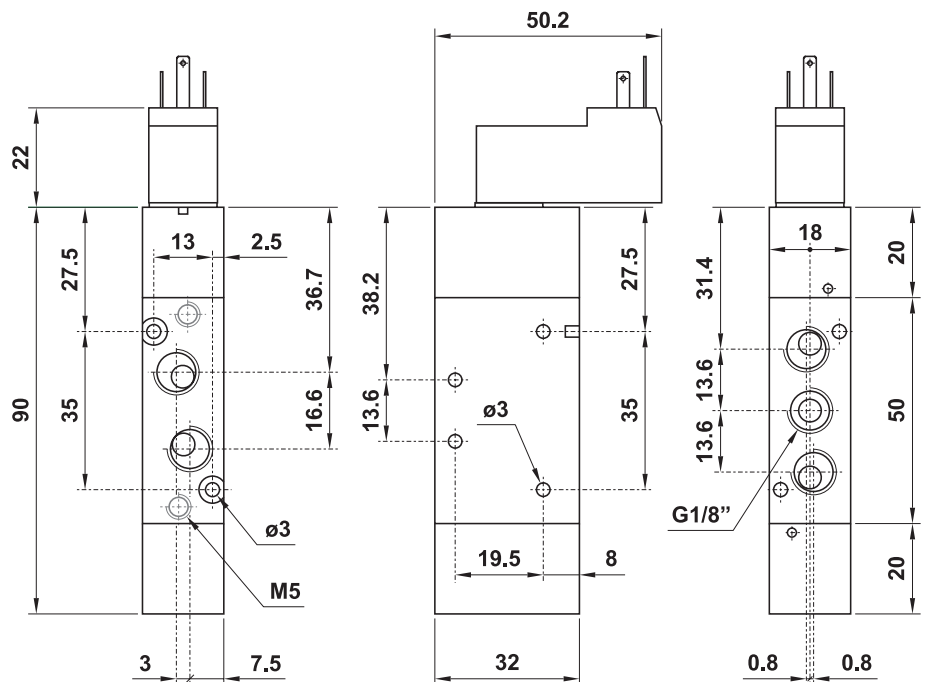
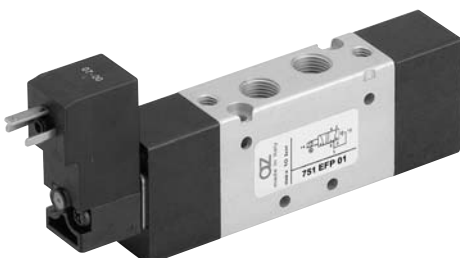
5/2 1/8" comando elettrico - ritorno a molla pneumatica

5/2 1/8" solenoid pilot - pneumatic spring return



Nella sigla del prodotto sostituire le lettere "xx" con l'indicazione della tensione.
In the part number replace "xx" with the reference of the solenoid tension.

| | |
|--------------|----|
| 12V DC | 00 |
| 24V DC | 01 |
| 24V 50/60Hz | 02 |
| 110V 50/60Hz | 03 |
| 220V 50/60Hz | 04 |



valvole 18 mm ad azion. elettropneumatico

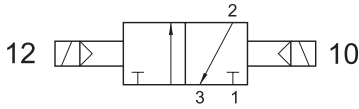
solenoid actuated valves - 18 mm



731 EE xx

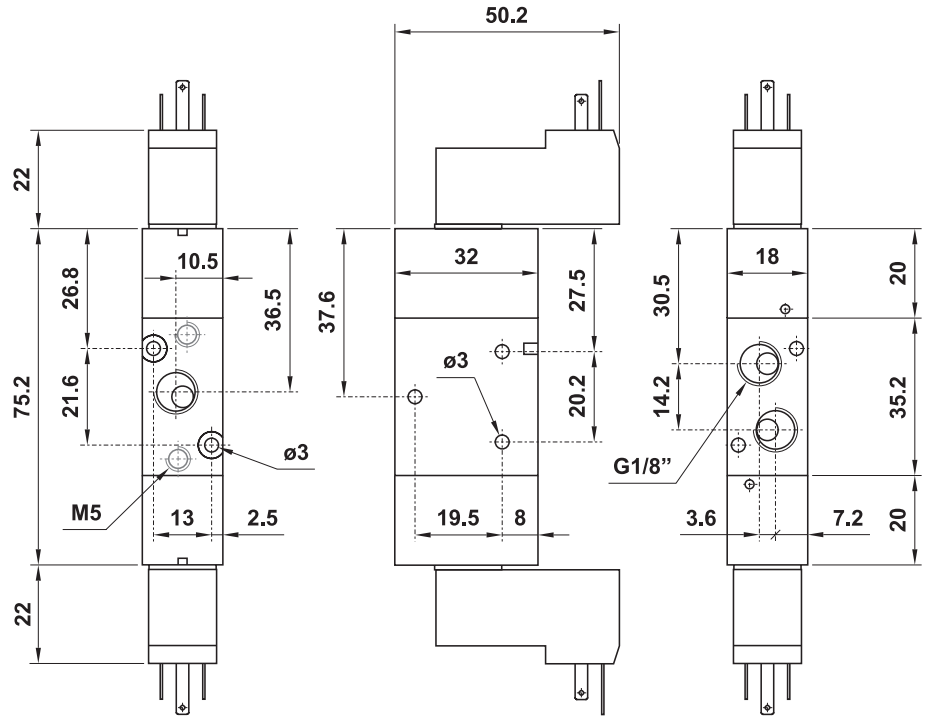
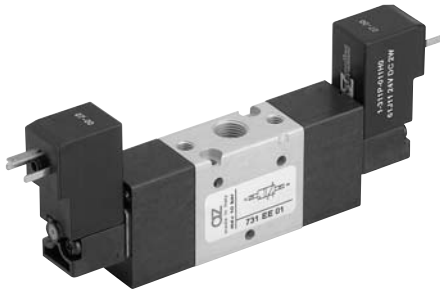
3/2 1/8" doppio comando elettrico

3/2 1/8" double solenoid pilot



Nella sigla del prodotto sostituire le lettere "xx" con l'indicazione della tensione.
In the part number replace "xx" with the reference of the solenoid tension.

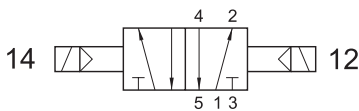
| | |
|--------------|----|
| 12V DC | 00 |
| 24V DC | 01 |
| 24V 50/60Hz | 02 |
| 110V 50/60Hz | 03 |
| 220V 50/60Hz | 04 |



751 EE xx

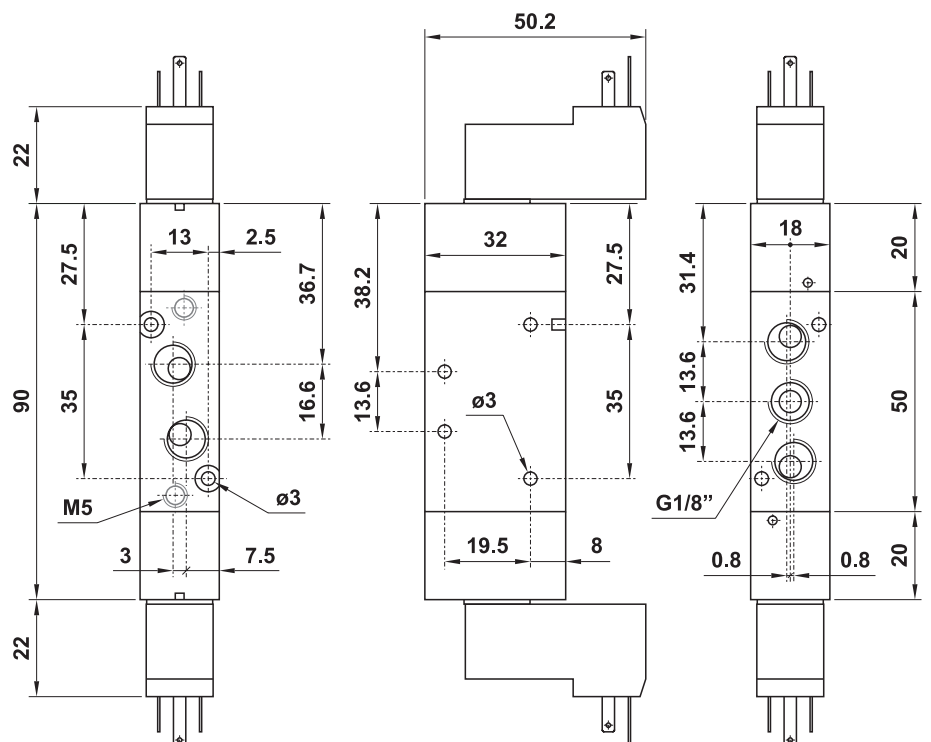
5/2 1/8" doppio comando elettrico

5/2 1/8" double solenoid pilot



Nella sigla del prodotto sostituire le lettere "xx" con l'indicazione della tensione.
In the part number replace "xx" with the reference of the solenoid tension.

| | |
|--------------|----|
| 12V DC | 00 |
| 24V DC | 01 |
| 24V 50/60Hz | 02 |
| 110V 50/60Hz | 03 |
| 220V 50/60Hz | 04 |



valvole 18 mm ad azion. elettropneumatico

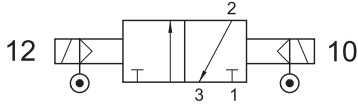
solenoid actuated valves - 18 mm



731 EE AS xx

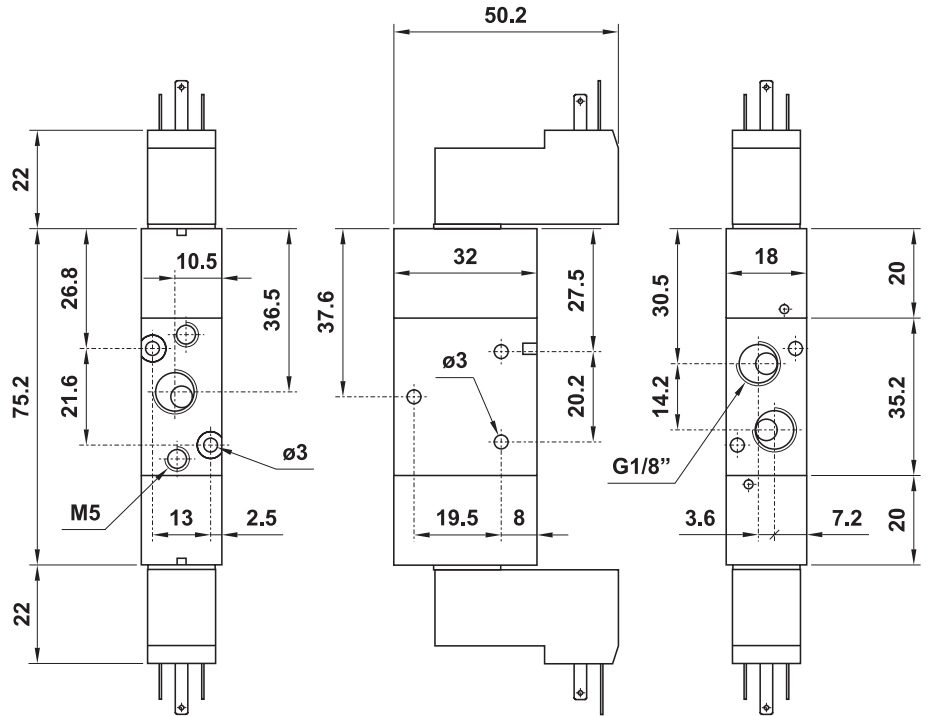
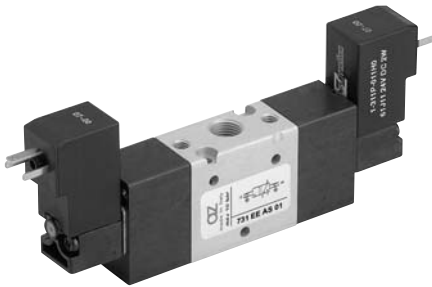
3/2 1/8" doppio comando elettrico alimentazione separata

3/2 1/8" double solenoid pilot with separate air supply



Nella sigla del prodotto sostituire le lettere "xx" con l'indicazione della tensione.
In the part number replace "xx" with the reference of the solenoid tension.

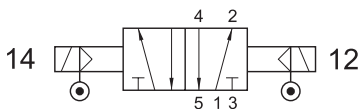
| | |
|--------------|----|
| 12V DC | 00 |
| 24V DC | 01 |
| 24V 50/60Hz | 02 |
| 110V 50/60Hz | 03 |
| 220V 50/60Hz | 04 |



751 EE AS xx

5/2 1/8" doppio comando elettrico alimentazione separata

5/2 1/8" double solenoid pilot with separate air supply



Nella sigla del prodotto sostituire le lettere "xx" con l'indicazione della tensione.
In the part number replace "xx" with the reference of the solenoid tension.

| | |
|--------------|----|
| 12V DC | 00 |
| 24V DC | 01 |
| 24V 50/60Hz | 02 |
| 110V 50/60Hz | 03 |
| 220V 50/60Hz | 04 |

