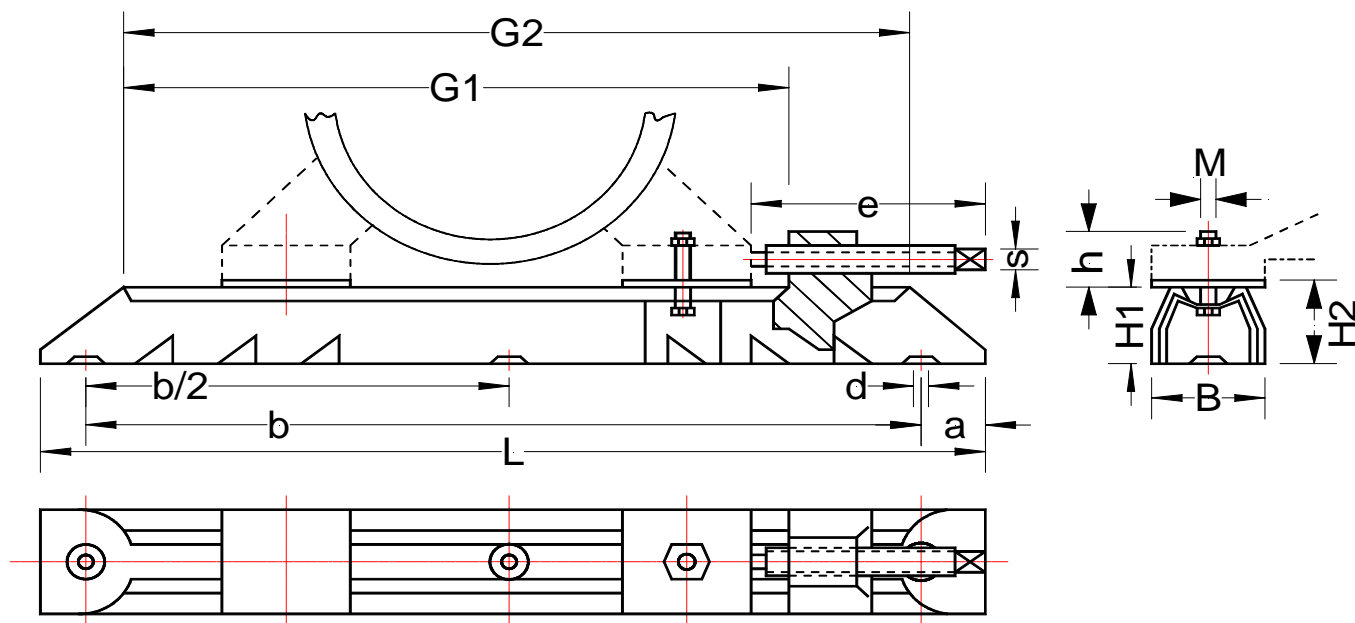


Villanymotor rögzítő pár



| Típus type | Teljes hossz total length L | Mozg. hossz slide length G1 | Motor típus motor type | | | | | | | | | | | Tömeg weight kg | |
|--|-----------------------------------|-----------------------------------|---------------------------|-------|-------|---------|------|----|------|-----|----|-----|-----|-----------------------|------|
| | | | | M x h | e x s | G2 | a | b | b/2 | ∅ d | B | H1 | H2 | | |
| Mozgatható blokkal with movable block | | | | | | | | | | | | | | | |
| 312/6 | 312 | 240 | 63/71 | M | 6x19 | 75x 6 | 262 | 16 | 280 | - | 12 | 40 | 28 | 30 | 1,4 |
| 312/8 | 312 | 240 | 80/90 | M | 8x27 | 75x 6 | 262 | 16 | 280 | - | 12 | 40 | 28 | 30 | 1,5 |
| 375/6 | 375 | 305 | 63/71 | M | 6x19 | 75x 6 | 325 | 16 | 343 | - | 12 | 40 | 28 | 30 | 1,5 |
| 375/8 | 375 | 305 | 80/90 | M | 8x27 | 75x 6 | 325 | 16 | 343 | - | 12 | 40 | 28 | 30 | 1,6 |
| 375/10 | 375 | 305 | 100/112 | M | 10x32 | 75x 6 | 325 | 16 | 343 | - | 12 | 40 | 28 | 30 | 1,6 |
| 395/8 | 395 | 302 | 80/90 | M | 8x28 | 97x 8 | 325 | 20 | 355 | - | 12 | 50 | 40 | 43 | 3,4 |
| 395/10 | 395 | 302 | 100/112 | M | 10x35 | 97x 8 | 325 | 20 | 355 | - | 12 | 50 | 40 | 43 | 3,4 |
| 495/8 | 495 | 405 | 80/90 | M | 8x29 | 97x 8 | 425 | 20 | 455 | - | 12 | 50 | 40 | 43 | 4,0 |
| 495/10 | 495 | 405 | 100/112/132 | M | 10x35 | 97x 8 | 425 | 20 | 455 | - | 12 | 50 | 40 | 43 | 4,0 |
| 495/12 | 495 | 405 | 160 | M | 12x49 | 97x 8 | 425 | 20 | 455 | - | 12 | 50 | 40 | 43 | 4,0 |
| 530/10 | 530 | 413 | 132 | M | 10x37 | 119x 9 | 442 | 25 | 480 | - | 14 | 60 | 50 | 54 | 6,4 |
| 530/12 | 530 | 413 | 160 | M | 12x49 | 119x 9 | 442 | 25 | 480 | - | 14 | 60 | 50 | 54 | 6,4 |
| 630/10 | 630 | 515 | 132 | M | 10x37 | 119x 9 | 542 | 25 | 580 | - | 14 | 60 | 50 | 54 | 8,2 |
| 630/12 | 630 | 515 | 160/180 | M | 12x45 | 119x 9 | 542 | 25 | 580 | - | 14 | 60 | 50 | 54 | 8,2 |
| 686/12 | 686 | 538 | 160/180 | M | 12x43 | 154x 12 | 575 | 28 | 630 | 315 | 18 | 75 | 60 | 64 | 12,8 |
| 686/16 | 686 | 538 | 200/225 | M | 16x62 | 154x 12 | 575 | 28 | 630 | 315 | 18 | 75 | 60 | 64 | 12,8 |
| Hegesztett blokkal with weldable block | | | | | | | | | | | | | | | |
| 864/16 | 864 | 700 | 200/225 | M | 16x60 | 300x 16 | 810 | 32 | 800 | 400 | 24 | 90 | 75 | - | 16,6 |
| 864/20 | 864 | 700 | 250/280 | M | 20x68 | 300x 16 | 810 | 32 | 800 | 400 | 24 | 90 | 75 | - | 16,6 |
| 1072/20 | 1072 | 865 | 250/280 | M | 20x77 | 360x 19 | 995 | 36 | 1000 | 500 | 30 | 112 | 100 | - | 33,4 |
| 1072/24 | 1072 | 865 | 315 | M | 24x88 | 360x 19 | 995 | 36 | 1000 | 500 | 30 | 112 | 100 | - | 33,5 |
| 1330/24 | 1330 | 1065 | 315/355 | M | 24x95 | 430x 21 | 1215 | 40 | 1250 | 625 | 30 | 130 | 125 | - | 56,6 |