

# ART. I103

## BALL WITH THREADED HOLE

**MATERIAL:**

Reinforced polyamide.  
Oils and greases resistant.

**SURFACE:**

Satin.

**COLOUR:**

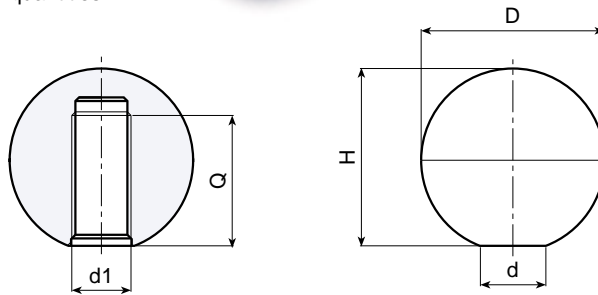
Black (RAL 9011).

**HOLE :**

Female threaded blind hole obtained by moulding the plastic.

**SPECIAL REQUESTS:**

- It is possible to supply colours as shown in the table at page 23, on request and for quantities.  
(\* Reduced colour range.



Art.	D	H	d	d1	Q	Weight (gr)
I103-15 M04	15	14	9	M4	10	2
I103-15 M05	15	14	9	M5	10	2
I103-20 M04	20	19	10	M4	14	6
I103-20 M05	20	19	10	M5	15	6
I103-20 M06	20	19	10	M6	14	6
I103-20 M08	20	19	10	M8	13	6
I103-25 M05	25	23	14	M5	18	10
I103-25 M06	25	23	14	M6	18	10
I103-25 M08	25	23	14	M8	19	10
I103-25 M10	25	23	14	M10	18	8
I103-30 M05	30	29	14	M5	20	18
I103-30 M06	30	29	14	M6	23	18
I103-30 M08	30	29	14	M8	22	16
I103-30 M10	30	29	14	M10	22	16
I103-30 M12	30	29	14	M12	22	14
I103-35 M06	35	33	16	(*) M6	25	28
I103-35 M08	35	33	16	(*) M8	24	26
I103-35 M10	35	33	16	(*) M10	25	26
I103-35 M12	35	33	16	(*) M12	25	26
I103-40 M08	40	39	16	(*) M8	30	42
I103-40 M10	40	39	16	(*) M10	24	36
I103-40 M12	40	39	16	(*) M12	25	36
I103-40 M14	40	39	16	(*) M14	25	34
I103-45 M08	45	44	18	(*) M8	30	60
I103-45 M10	45	44	18	(*) M10	30	58
I103-45 M12	45	44	18	(*) M12	31	58
I103-45 M14	45	44	18	(*) M14	30	56
I103-50 M10	50	49	18	(*) M10	32	80
I103-50 M12	50	49	18	(*) M12	32	78
I103-50 M14	50	49	18	(*) M14	33	76
I103-50 M16	50	49	18	(*) M16	33	75

# ART. I 104

## BALL WITH SELF-FIX HOLE

**MATERIAL:**

Reinforced polyamide.  
Oils and greases resistant.

**SURFACE:**

Satin.

**COLOUR:**

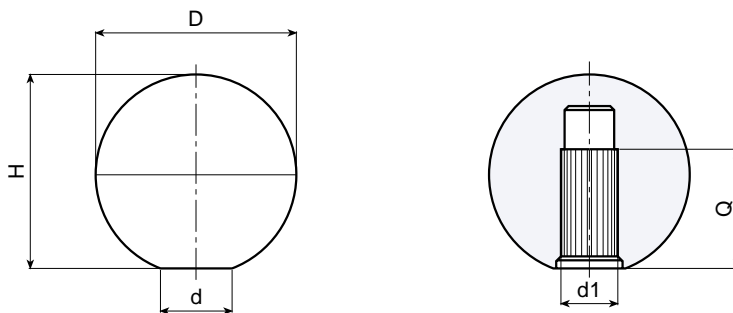
Black (RAL 9011).

**HOLE :**

Female smooth blind hole obtained by moulding the plastic.

**FIXING:**

Push fit.



**SPECIAL REQUESTS:**

- It is possible to supply colours as shown in the table at page 23, on request and for quantities.  
(\* ) Reduced colour range.

Art.	D	H	d	d1	Q	Weight (gr)
I104-20 D05	20	19	10	D5	15	4
I104-20 D06	20	19	10	D6	15	4
I104-25 D06	25	23	14	D6	17	10
I104-25 D08	25	23	14	D8	20	10
I104-30 D08	30	29	14	D8	17	16
I104-30 D10	30	29	14	D10	17	16
I104-35 D08	35	33	16	(* ) D8	25	26
I104-35 D10	35	33	16	(* ) D10	27	26
I104-40 D10	40	39	16	(* ) D10	32	42
I104-40 D12	40	39	16	(* ) D12	32	38
I104-45 D10	45	44	18	(* ) D10	30	58
I104-45 D12	45	44	18	(* ) D12	32	58
I104-45 D14	45	44	18	(* ) D14	34	56
I104-50 D10	50	49	18	(* ) D10	28	80
I104-50 D12	50	49	18	(* ) D12	30	78
I104-50 D14	50	49	18	(* ) D14	30	76

# ART. I105

## BALL WITH THREADED INSERT

**MATERIAL:**

Reinforced polyamide.  
Oils and greases resistant.

**SURFACE:**

Satin.

**COLOUR:**

Black (RAL 9011).

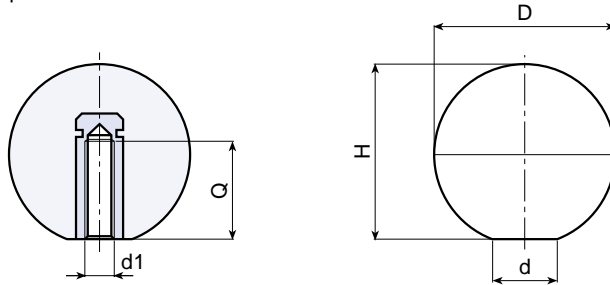
**MAIN INSERT:**

Brass blind threaded bush.



**SPECIAL REQUESTS:**

- It is possible to supply the inserts in different materials, on request and for quantities.
  - It is possible to supply colours as shown in the table at page 23, on request and for quantities.
- (\*) Reduced colour range.



Art.	D	H	d	d1	Q	Weight (gr)
I105-15 M04	15	14	8	M4	8	4
I105-15 M05	15	14	8	M5	7	4
I105-20 M04	20	19	10	M4	8	8
I105-20 M05	20	19	10	M5	7	8
I105-20 M06	20	19	10	M6	7	8
I105-20 M08	20	19	10	M8	7	8
I105-25 M05	25	23	14	M5	10	12
I105-25 M06	25	23	14	M6	10	12
I105-25 M08	25	23	14	M8	11	14
I105-25 M10	25	23	14	M10	14	12
I105-30 M05	30	29	14	M5	15	22
I105-30 M06	30	29	14	M6	16	22
I105-30 M08	30	29	14	M8	14	22
I105-30 M10	30	29	14	M10	14	22
I105-30 M12	30	29	14	M12	18	26
I105-35 M06	35	33	16	(*) M6	16	34
I105-35 M08	35	33	16	(*) M8	14	34
I105-35 M10	35	33	16	(*) M10	14	34
I105-35 M12	35	33	16	(*) M12	18	32
I105-40 M08	40	39	16	(*) M8	14	52
I105-40 M10	40	39	16	(*) M10	14	52
I105-40 M12	40	39	16	(*) M12	18	52
I105-40 M14	40	39	16	(*) M14	19	50
I105-45 M08	45	44	18	(*) M8	14	60
I105-45 M10	45	44	18	(*) M10	18	60
I105-45 M12	45	44	18	(*) M12	18	58
I105-45 M14	45	44	18	(*) M14	19	56
I105-50 M10	50	49	18	(*) M10	18	94
I105-50 M12	50	49	18	(*) M12	18	92
I105-50 M14	50	49	18	(*) M14	19	90

# ART. 1107

## SHORT HANDLE WITH THREADED INSERT

**MATERIAL:**

Reinforced polyamide.  
Oils and greases resistant.

**SURFACE:**

Satin.

**COLOUR:**

Black (RAL 9011).

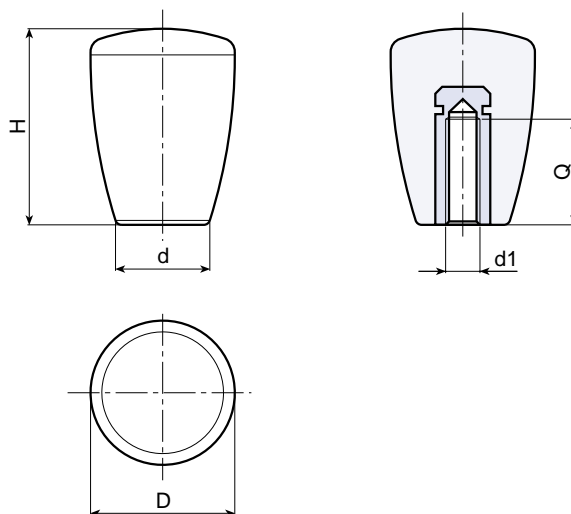
**MAIN INSERT:**

Brass blind threaded bush.



**SPECIAL REQUESTS:**

- It is possible to supply the inserts in different materials, on request and for quantities.
- It is possible to supply colours as shown in the table at page 23, on request and for quantities.  
(\* Reduced colour range.



Art.	D	H	d	d1	Q	Weight (gr)
I107-21 M04	21	28	13	M4	10	14
I107-21 M05	21	28	13	M5	10	13
I107-21 M06	21	28	13	M6	10	13
I107-25 M06	25	34	17	M6	10	18
I107-25 M08	25	34	17	M8	13	20
I107-25 M10	25	34	17	M10	14	22
I107-32 M08	32	43	21	M8	14	40
I107-32 M10	32	43	21	M10	14	40
I107-32 M12	32	43	21	M12	18	44
I107-43 M10	43	58	27	(*) M10	18	90
I107-43 M12	43	58	27	(*) M12	18	90
I107-43 M14	43	58	27	(*) M14	19	92

# ART. I108

## SHORT HANDLE WITH THREADED HOLE

**MATERIAL:**

Reinforced polyamide.  
Oils and greases resistant.

**SURFACE:**

Satin.

**COLOUR:**

Black (RAL 9011).

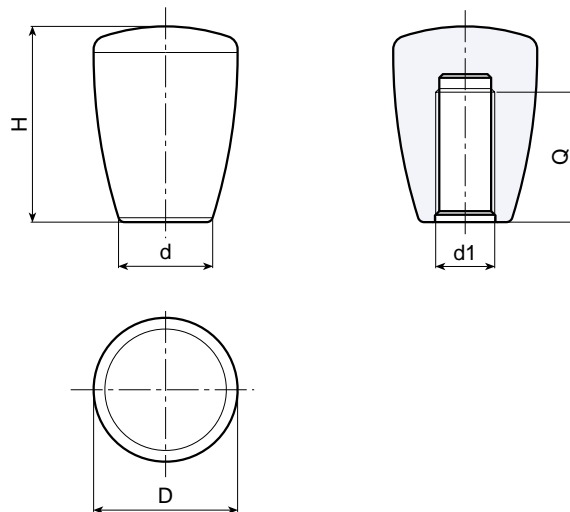
**HOLE :**

Female threaded blind hole obtained by moulding the plastic.



**SPECIAL REQUESTS:**

- It is possible to supply colours as shown in the table at page 23, on request and for quantities.  
(\* Reduced colour range.



Art.	D	H	d	d1	Q	Weight (gr)
I108-21 M04	21	28	13	M4	20	13
I108-21 M05	21	28	13	M5	20	12
I108-21 M06	21	28	13	M6	20	11
I108-25 M05	25	34	17	M5	20	16
I108-25 M06	25	34	17	M6	27	16
I108-25 M08	25	34	17	M8	28	14
I108-25 M10	25	34	17	M10	27	14
I108-32 M08	32	43	21	M8	34	32
I108-32 M10	32	43	21	M10	33	32
I108-32 M12	32	43	21	M12	33	32
I108-43 M10	43	58	27	(* M10	38	80
I108-43 M12	43	58	27	(* M12	38	78
I108-43 M14	43	58	27	(* M14	38	76
I108-43 M16	43	58	27	(* M16	38	74

# ART. I 109

## SHORT HANDLE WITH SELF-FIX HOLE

**MATERIAL:**

Reinforced polyamide.  
Oils and greases resistant.

**SURFACE:**

Satin.

**COLOUR:**

Black (RAL 9011).

**HOLE :**

Female smooth blind hole obtained by moulding the plastic.

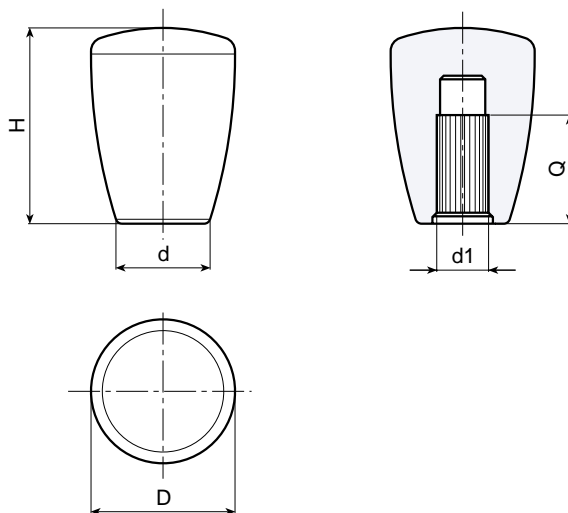
**FIXING:**

Push fit.



**SPECIAL REQUESTS:**

- It is possible to supply colours as shown in the table at page 23, on request and for quantities.  
(\* Reduced colour range.



Art.	D	H	d	d1	Q	Weight (gr)
I109-21 D05	21	28	13	D5	24	13
I109-25 D06	25	34	17	D6	24	16
I109-25 D08	25	34	17	D8	27	16
I109-25 D10	25	34	17	D10	26	14
I109-32 D08	32	43	21	D8	27	36
I109-32 D10	32	43	21	D10	27	34
I109-32 D11	32	43	21	D11	26	32
I109-32 D12	32	43	21	D12	28	30
I109-43 D10	43	58	27	(*) D10	30	80
I109-43 D12	43	58	27	(*) D12	30	78
I109-43 D14	43	58	27	(*) D14	36	76
I109-43 D15	43	58	27	(*) D15	36	74
I109-43 D16	43	58	27	(*) D16	36	72

# ART. 1112

## SHORT HANDLE WITH THREADED STUD

**MATERIAL:**

Reinforced polyamide.  
Oils and greases resistant.

**SURFACE:**

Satin.

**COLOUR:**

Black (RAL 9011).

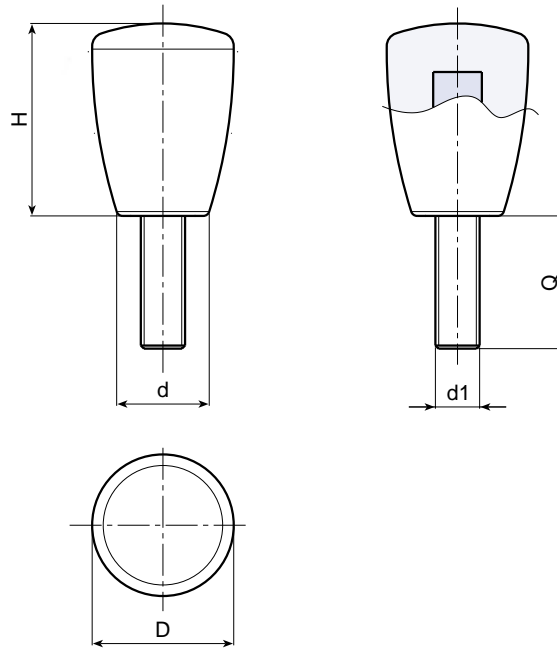
**MAIN INSERT:**

Zinc plated steel threaded stud.



**SPECIAL REQUESTS:**

- It is possible to supply the inserts in different materials, on request and for quantities.
- It is possible to supply the inserts with different lengths, on request and for quantities.
- It is possible to supply colours as shown in the table at page 23, on request and for quantities.  
(\* ) Reduced colour range.



Art.	D	H	d	d1	Q	Weight (gr)
I112-21 M04	21	28	13	M4	16	16
I112-21 M05	21	28	13	M5	16-30	17-19
I112-21 M06	21	28	13	M6	16-30	18-21
I112-25 M06	25	34	17	M6	16-30	20
I112-25 M08	25	34	17	M8	16-30	21-23
I112-25 M10	25	34	17	M10	16-20-30	22-23,5-25
I112-32 M08	32	43	21	M8	16-20-30	44-45-48
I112-32 M10	32	43	21	M10	16-20-30	50-52-57
I112-32 M12	32	43	21	M12	20-30	64-71
I112-43 M10	43	58	27	(* ) M10	16-30	98-105
I112-43 M12	43	58	27	(* ) M12	20-30	108-115
I112-43 M14	43	58	27	(* ) M14	30	130

# ART. I107 CIN

## SHORT HANDLE WITH THREADED STAINLESS STEEL INSERT

**INOX**

**MATERIAL:**

Reinforced polyamide.  
Oils and greases resistant.

**SURFACE:**

Satin.

**COLOUR:**

Black (RAL 9011).

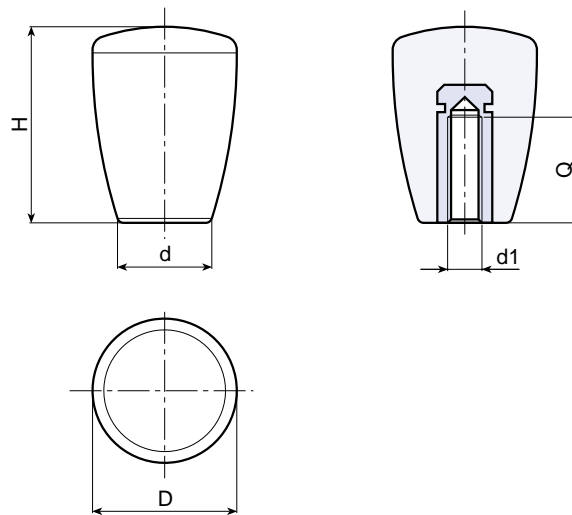
**MAIN INSERT:**

Stainless steel blind threaded bush (AISI 303).



**SPECIAL REQUESTS:**

- It is possible to supply colours as shown in the table at page 23, on request and for quantities.  
(\* Reduced colour range.



Art.	D	H	d	d1	Q	Weight (gr)
I107-21 M05 CIN	21	28	13	M5	15	16
I107-25 M06 CIN	25	34	16	M6	16	20
I107-25 M08 CIN	25	34	16	M8	16	22
I107-25 M10 CIN	25	34	16	M10	16	25
I107-32 M08 CIN	32	43	20	M8	16	43
I107-32 M10 CIN	32	43	20	M10	16	43
I107-32 M12 CIN	32	43	20	M12	20	48
I107-43 M10 CIN	43	58	27	(*) M10	16	92
I107-43 M12 CIN	43	58	27	(*) M12	20	92



# ART. 1123

## SHORT HANDLE WITH CAP AND THREADED INSERT

**MATERIAL:**

Reinforced polyamide.  
Oils and greases resistant.

**SURFACE:**

Satin.

**COLOUR:**

Black (RAL 9011).

**CENTRAL CAP:**

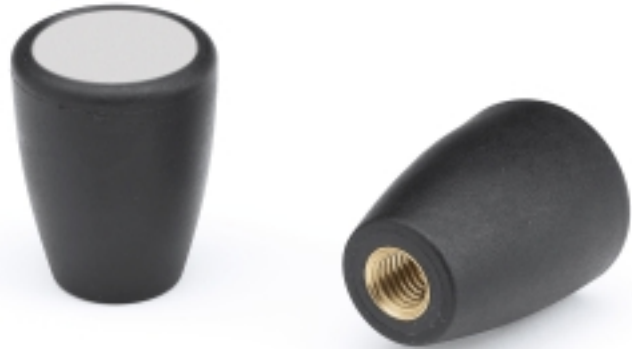
Grey polyamide (RAL 7035 code 13).

**ALTERNATIVE CAP COLOUR:**

Orange (RAL 2004 cod. 02).  
Blue (RAL 5015 cod. 07).  
Yellow (RAL 1021 cod.10).  
Red (RAL 3000 cod.16).  
Green (RAL 6024 cod.17).  
Black (RAL 9011 cod. 01).

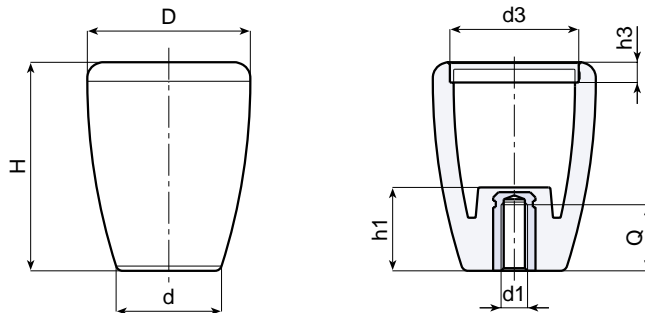
**MAIN INSERT:**

Brass blind threaded bush.



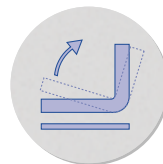
**SPECIAL REQUESTS:**

- It is possible to supply the inserts in different materials, on request and for quantities.
- It is possible to supply the short handle with colours as shown in the table at page 23, on request and for quantities.



**PAD PRINTING SERVICE:**

- Upon request and for special quantities caps can be supplied with customized pad printing.



Art.	D	H	d	h1	d3	h3	d1	Q	Weight (gr)
I123-43 M08	43	55	27	22	34	5,5	M8	16	37
I123-43 M10	43	55	27	22	34	5,5	M10	15	38
I123-43 M12	43	55	27	22	34	5,5	M12	15	40

# ART. 1124

## SHORT HANDLE WITH CAP AND THREADED HOLE

**MATERIAL:**

Reinforced polyamide.  
Oils and greases resistant.

**SURFACE:**

Satin.

**COLOUR:**

Black (RAL 9011).

**CENTRAL CAP:**

Grey polyamide (RAL 7035 code 13).

**ALTERNATIVE CAP COLOUR:**

Orange (RAL 2004 cod. 02).  
Blue (RAL 5015 cod. 07).  
Yellow (RAL 1021 cod.10).  
Red (RAL 3000 cod.16).  
Green (RAL 6024 cod.17).  
Black (RAL 9011 cod. 01)..

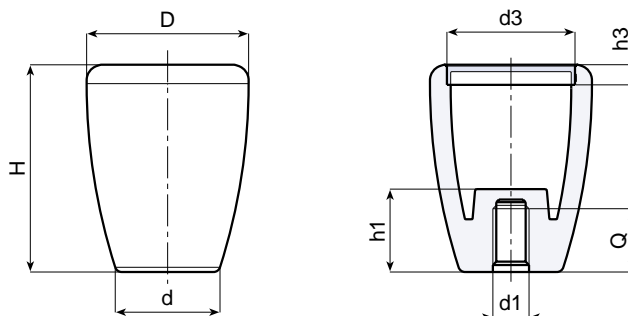
**HOLE :**

Female threaded blind hole obtained by moulding the plastic.



**SPECIAL REQUESTS:**

- It is possible to supply the short handle with colours as shown in the table at page 23, on request and for quantities.



**PAD PRINTING SERVICE:**

- Upon request and for special quantities caps can be supplied with customized pad printing.



Art.	D	H	d	h1	d3	h3	d1	Q	Weight (gr)
I124-43 M08	43	55	27	22	34	5,5	M8	18	34
I124-43 M10	43	55	27	22	34	5,5	M10	18	32
I124-43 M12	43	55	27	22	34	5,5	M12	18	30

# ART. 1125

## SHORT HANDLE WITH CAP AND SELF-FIX HOLE

**MATERIAL:**

Reinforced polyamide.  
Oils and greases resistant.

**SURFACE:**

Satin.

**COLOUR:**

Black (RAL 9011).

**CENTRAL CAP:**

Grey polyamide (RAL 7035 code 13).

**ALTERNATIVE CAP COLOUR:**

Orange (RAL 2004 cod. 02).  
Blue (RAL 5015 cod. 07).  
Yellow (RAL 1021 cod.10).  
Red (RAL 3000 cod.16).  
Green (RAL 6024 cod.17).  
Black (RAL 9011 cod. 01).

**HOLE :**

Female smooth blind hole obtained by moulding the plastic.

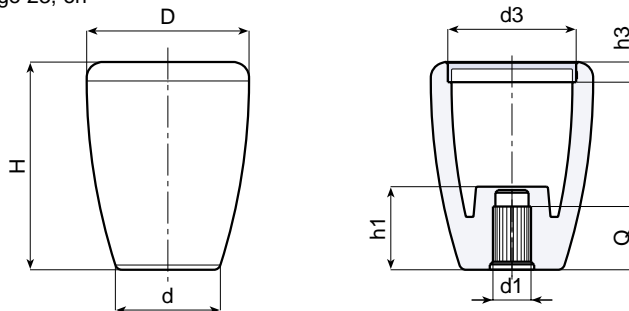
**FIXING:**

Push fit.



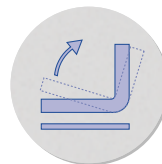
**SPECIAL REQUESTS:**

- It is possible to supply the short handle with colours as shown in the table at page 23, on request and for quantities.



**PAD PRINTING SERVICE:**

- Upon request and for special quantities caps can be supplied with customized pad printing.



Art.	D	H	d	h1	d3	h3	d1	Q	Weight (gr)
I125-43 D08	43	55	27	22	34	5,5	D8	16	34
I125-43 D10	43	55	27	22	34	5,5	D10	16	32
I125-43 D12	43	55	27	22	34	5,5	D12	16	30

# ART. 1126

## SHORT HANDLE WITH CAP AND THREADED INSERT

**MATERIAL:**

Reinforced polyamide.  
Oils and greases resistant.

**SURFACE:**

Satin.

**COLOUR:**

Black (RAL 9011).

**CENTRAL CAP:**

Grey polyamide (RAL 7035 code 13).

**ALTERNATIVE CAP COLOUR:**

Orange (RAL 2004 cod. 02).  
Blue (RAL 5015 cod. 07).  
Yellow (RAL 1021 cod.10).  
Red (RAL 3000 cod.16).  
Green (RAL 6024 cod.17).  
Black (RAL 9011 cod. 01).

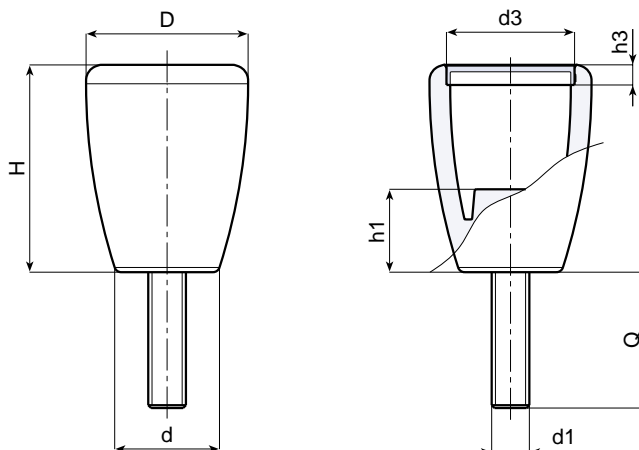
**MAIN INSERT:**

Zinc plated steel threaded stud.



**SPECIAL REQUESTS:**

- It is possible to supply the inserts with different lengths, on request and for quantities.
- It is possible to supply the inserts in different materials, on request and for quantities.
- It is possible to supply the short handle with colours as shown in the table at page 23, on request and for quantities.



**PAD PRINTING SERVICE:**

- Upon request and for special quantities caps can be supplied with customized pad printing.



Art.	D	H	d	h1	d3	h3	d1	Q	Weight (gr)
I126-43 M08	43	55	27	22	34	5,5	M8	20-30	47-50
I126-43 M10	43	55	27	22	34	5,5	M10	20-40	52-62
I126-43 M12	43	55	27	22	34	5,5	M12	20-40	62-76

# ART. 1113

## SHORT HANDLE WITH LEVER ARM

**MATERIAL:**

Reinforced polyamide.  
Oils and greases resistant.

**SURFACE:**

Satin.

**COLOUR:**

Black (RAL 9011).

**LEVER ARM:**

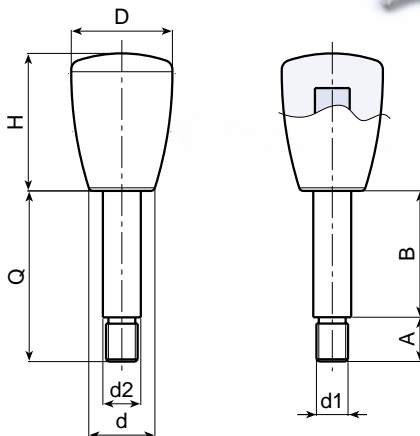
Partially threaded zinc plated steel stud.

**FIXING:**

Push fit (cannot be dismantled).

**SPECIAL REQUESTS:**

- It is possible to supply the inserts with custom size, on request and for quantities.
- It is possible to supply the inserts with different treatment-finishes, on request and for quantities.
- It is possible to supply colours as shown in the table at page 23, on request and for quantities.



Art.	D	H	d	A	B	d2	d1	Q	Weight (gr)
I113-25 M08x40	25	34	17	10	30	10	M8	40	42
I113-25 M08x55	25	34	17	10	45	10	M8	55	48
I113-25 M08x80	25	34	17	10	70	10	M8	80	75
I113-32 M10x55	32	43	21	15	40	12	M10	55	86
I113-32 M10x65	32	43	21	15	50	12	M10	65	97
I113-32 M12x65	32	43	21	15	50	14	M12	65	114

# ART. 1500

## SHORT HANDLE WITH SELF-FIX HOLE

**MATERIAL:**

Reinforced polyamide.  
Oils and greases resistant.

**SURFACE:**

Satin.

**COLOUR:**

Black (RAL 9011).

**HOLE :**

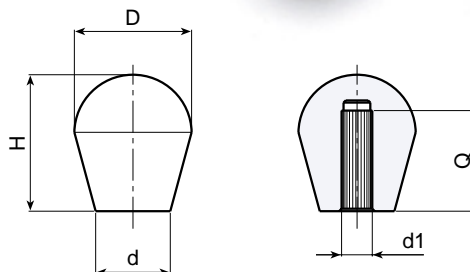
Female smooth blind hole obtained by moulding the plastic.

**FIXING:**

Push fit.

**SPECIAL REQUESTS:**

- It is possible to supply colours as shown in the table at page 23, on request and for quantities.



Art.	D	H	d	d1	Q	Weight (gr)
I500-30 D10	27	32	18	D10	23	11
I500-30 D12	27	32	18	D12	22	11
I500-30 D14	27	32	18	D14	20	10
I500-37 D16	37	43	24	D16	30	33
I500-37 D18	37	43	24	D18	30	31

# ART. 1117

## GEAR STICK WITH THREADED INSERT

**MATERIAL:**

Reinforced polyamide.  
Oils and greases resistant.

**SURFACE:**

Satin.

**COLOUR:**

Black (RAL 9011).

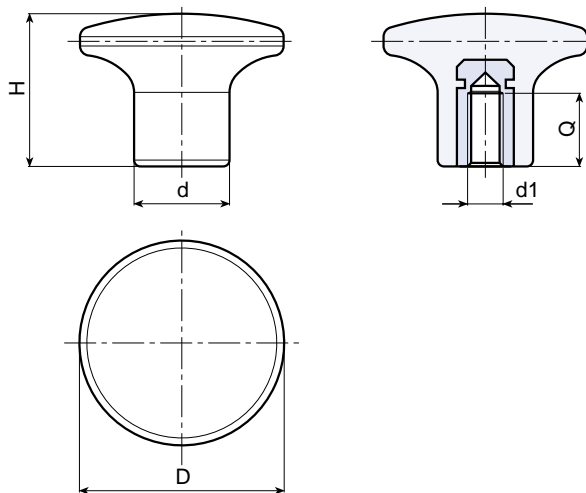
**MAIN INSERT:**

Brass blind threaded bush.



**SPECIAL REQUESTS:**

- It is possible to supply the inserts in different materials, on request and for quantities.
- It is possible to supply colours as shown in the table at page 23, on request and for quantities.



Art.	D	H	d	d1	Q	Weight (gr)
I117-22 M04	22	17	11	M4	8	6
I117-22 M05	22	17	11	M5	10	6
I117-22 M06	22	17	11	M6	11	6
I117-26 M05	26	20,5	13	M5	10	9
I117-26 M06	26	20,5	13	M6	11	9
I117-26 M08	26	20,5	13	M8	15	10
I117-32 M05	32	24	15	M5	10	12
I117-32 M06	32	24	15	M6	9	12
I117-32 M08	32	24	15	M8	15	14
I117-45 M08	45	32	21	M8	20	32
I117-45 M10	45	32	21	M10	18	33
I117-45 M12	45	32	21	M12	18	34
I117-45 M14	45	32	21	M14	33	38
I117-45 M16	45	32	21	M16	33	43

# ART. 1118

## GEAR STICK WITH THREADED HOLE

**MATERIAL:**

Reinforced polyamide.  
Oils and greases resistant.

**SURFACE:**

Satin.

**COLOUR:**

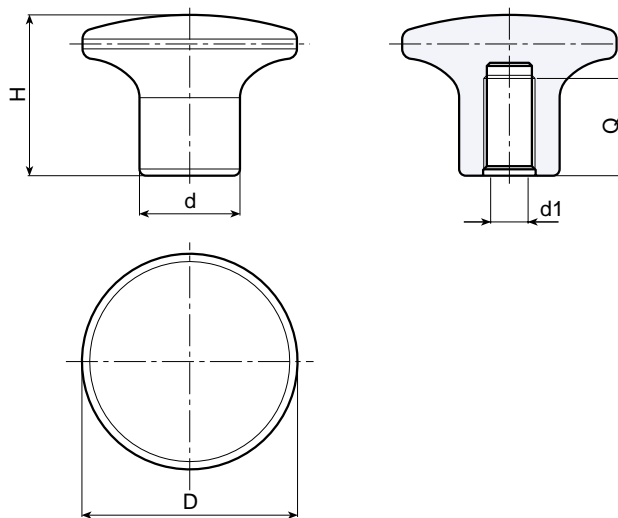
Black (RAL 9011).

**HOLE :**

Female threaded blind hole obtained by moulding the plastic.

**SPECIAL REQUESTS:**

- It is possible to supply colours as shown in the table at page 23, on request and for quantities.



Art.	D	H	d	d1	Q	Weight (gr)
I118-22 M04	22	17	11	M4	12	4
I118-22 M05	22	17	11	M5	12	4
I118-22 M06	22	17	11	M6	12	4
I118-26 M05	26	20,5	13	M5	16	6
I118-26 M06	26	20,5	13	M6	16	6
I118-26 M08	26	20,5	13	M8	16	6
I118-32 M05	32	24	15	M5	18	10
I118-32 M06	32	24	15	M6	18	10
I118-32 M08	32	24	15	M8	18	10
I118-45 M08	45	32	21	M8	27	26
I118-45 M10	45	32	21	M10	27	25
I118-45 M12	45	32	21	M12	27	25
I118-45 M14	45	32	21	M14	27	23
I118-45 M16	45	32	21	M16	27	20

# ART. 1119

## GEAR STICK WITH THREADED STUD

**MATERIAL:**

Reinforced polyamide.  
Oils and greases resistant.

**SURFACE:**

Satin.

**COLOUR:**

Black (RAL 9011).

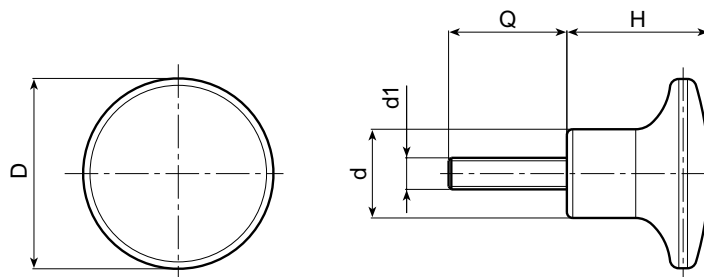
**MAIN INSERT:**

Zinc plated steel threaded stud.



**SPECIAL REQUESTS:**

- It is possible to supply the inserts in different materials, on request and for quantities.
- It is possible to supply the inserts with different lengths, on request and for quantities.
- It is possible to supply colours as shown in the table at page 23, on request and for quantities.



Art.	D	H	d	d1	Q	Weight (gr)
I119-22 M04	22	17	11	M4	16-20-30	5-6-8
I119-22 M05	22	17	11	M5	16-20-30	7-8-9
I119-22 M06	22	17	11	M6	16-20-30	9-10-12
I119-26 M05	26	20,5	13	M5	16-20-30	9-10-11
I119-26 M06	26	20,5	13	M6	16-20-30	11-12-14
I119-26 M08	26	20,5	13	M8	16-20-30	22-28-30
I119-32 M05	32	24	15	M5	16-20-30	13-14-16
I119-32 M06	32	24	15	M6	16-20-30	15-16-18
I119-32 M08	32	24	15	M8	20-30-40	20-26-28
I119-45 M08	45	32	21	M8	20-30	39-42
I119-45 M10	45	32	21	M10	20-30	46-51
I119-45 M12	45	32	21	M12	20-40	58-72



# ART. I117 CIN

## GEAR STICK WITH THREADED STAINLESS STEEL INSERT

**INOX**

**MATERIAL:**

Reinforced polyamide.  
Oils and greases resistant.

**SURFACE:**

Satin.

**COLOUR:**

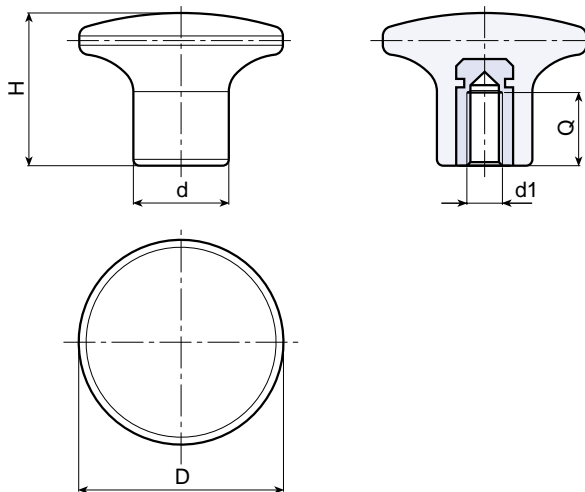
Black (RAL 9011).

**MAIN INSERT:**

Stainless steel blind threaded bush (AISI 303).

**SPECIAL REQUESTS:**

- It is possible to supply colours as shown in the table at page 23, on request and for quantities.



Art.	D	H	d	d1	Q	Weight (gr)
I117-22 M05 CIN	22	17	11	M5	13	8
I117-22 M06 CIN	22	17	11	M6	16	9
I117-26 M05 CIN	26	20,5	13	M5	13	10
I117-26 M06 CIN	26	20,5	13	M6	16	11
I117-26 M08 CIN	26	20,5	13	M8	16	12
I117-32 M05 CIN	32	24	15	M5	16	14
I117-32 M06 CIN	32	24	15	M6	16	16
I117-32 M08 CIN	32	24	15	M8	16	18
I117-45 M10 CIN	45	32	21	M10	16	35
I117-45 M12 CIN	45	32	21	M12	20	39

# ART. 1130

## GEAR STICK WITH CAP AND THREADED STUD

**MATERIAL:**

Reinforced polyamide.  
Oils and greases resistant.

**SURFACE:**

Satin.

**COLOUR:**

Black (RAL 9011).

**CENTRAL CAP:**

Grey polyamide (RAL 7035 code 13).

**ALTERNATIVE CAP COLOUR:**

Orange (RAL 2004 cod. 02).  
Blue (RAL 5015 cod. 07).  
Yellow (RAL 1021 cod.10).  
Red (RAL 3000 cod.16).  
Green (RAL 6024 cod.17).  
Black (RAL 9011 cod. 01).

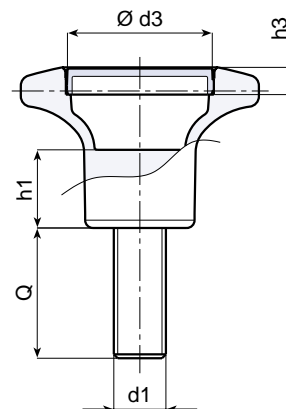
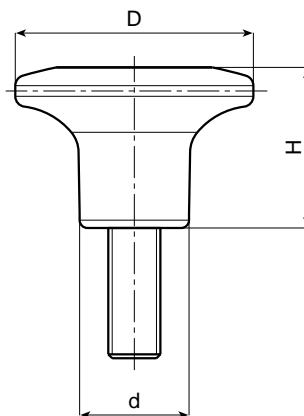
**MAIN INSERT:**

Zinc plated steel threaded stud.



**SPECIAL REQUESTS:**

- It is possible to supply the inserts with different lengths, on request and for quantities.
- It is possible to supply the inserts in different materials, on request and for quantities.
- It is possible to supply the gear stick with colours as shown in the table at page 23, on request and for quantities.



**PAD PRINTING SERVICE:**

- Upon request and for special quantities caps can be supplied with customized pad printing.



Art.	D	H	d	h1	d3	h3	d1	Q	Weight (gr)
1130-45 M08	45	31	21	15	28	5	M8	20-30	32-36
1130-45 M10	45	31	21	15	28	5	M10	20-30	40-45
1130-45 M12	45	31	21	15	28	5	M12	20-40	53-65

# ART. 1131

## GEAR STICK WITH CAP AND THREADED INSERT

**MATERIAL:**

Reinforced polyamide.  
Oils and greases resistant.

**SURFACE:**

Satin.

**COLOUR:**

Black (RAL 9011).

**CENTRAL CAP:**

Grey polyamide (RAL 7035 code 13).

**ALTERNATIVE CAP COLOUR:**

Orange (RAL 2004 cod. 02).  
Blue (RAL 5015 cod. 07).  
Yellow (RAL 1021 cod.10).  
Red (RAL 3000 cod.16).  
Green (RAL 6024 cod.17).  
Black (RAL 9011 cod. 01).

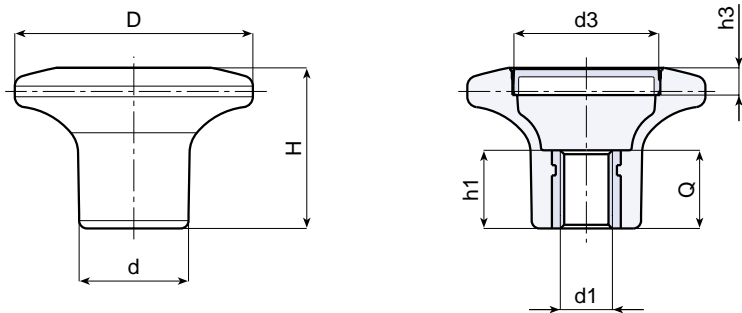
**MAIN INSERT:**

Brass right through threaded bush.



**SPECIAL REQUESTS:**

- It is possible to supply the inserts in different materials, on request and for quantities.
- It is possible to supply the gear stick with colours as shown in the table at page 23, on request and for quantities.



**PAD PRINTING SERVICE:**

- Upon request and for special quantities caps can be supplied with customized pad printing.



Art.	D	H	d	h1	d3	h3	d1	Q	Weight (gr)
I131-45 M08	45	31	21	15	28	5	M8	15	18
I131-45 M10	45	31	21	15	28	5	M10	15	17
I131-45 M12	45	31	21	15	28	5	M12	15	15
I131-45 M14	45	31	21	15	28	5	M14	15	14

ART. 1132

## GEAR STICK WITH CAP AND THREADED HOLE

**MATERIAL:**

Reinforced polyamide.  
Oils and greases resistant.

**SURFACE:**

Satin.

**COLOUR:**

Black (RAL 9011).

**CENTRAL CAP:**

Grey polyamide (RAL 7035 code 13).

**ALTERNATIVE CAP COLOUR:**

Orange (RAL 2004 cod. 02).  
Blue (RAL 5015 cod. 07).  
Yellow (RAL 1021 cod.10).  
Red (RAL 3000 cod.16).  
Green (RAL 6024 cod.17).  
Black (RAL 9011 cod. 01).

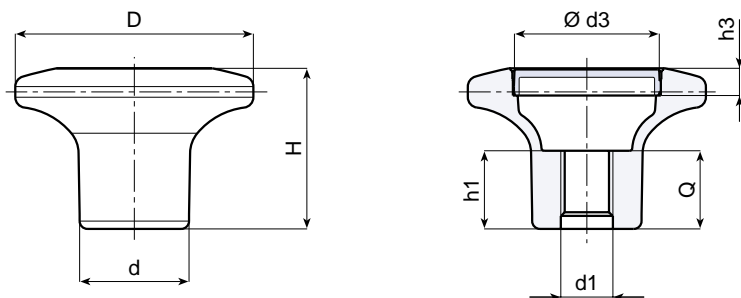
**HOLE :**

Female threaded blind hole obtained by moulding the plastic.



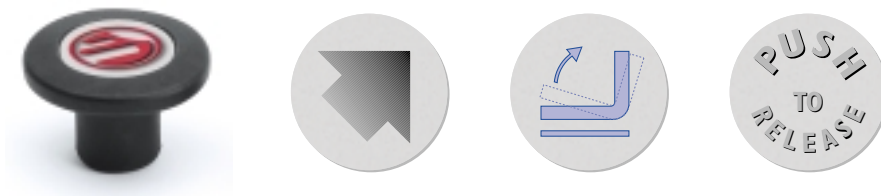
**SPECIAL REQUESTS:**

- It is possible to supply the gear stick with colours as shown in the table at page 23, on request and for quantities.



**PAD PRINTING SERVICE:**

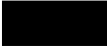


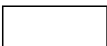









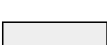


- Upon request and for special quantities caps can be supplied with customized pad printing.












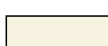


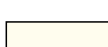

Art.	D	H	d	h1	d3	h3	d1	Q	Weight (gr)
I132-45 M08	45	31	21	15	28	5	M8	15	16
I132-45 M10	45	31	21	15	28	5	M10	15	15
I132-45 M12	45	31	21	15	28	5	M12	15	14

# COLOUR CHART

## R A L

COLOUR		RAL	CODE
Black		9011	01
Orange		2004	02
Orange		2011	03
White		9010	04
Blue		5002	05
Blue		5005	06
Blue		5015	07
Blue		5018	19
Blue		5019	21
Blue		5010	22
Yellow		1007	09
Yellow		1021	10
Grey		7024	12
Grey		7035	13
Red		3000	16
Green		6024	17

## O T H E R C O L O U R S

COLOUR		REF.	CODE
White		-	52
Blue		-	53
Blue	 pant. 645 U		54
Blue	 pant. 300		55
Grey		-	57
Grey		-	59
Grey	 NCS 7500		60
Red		-	64
Red		-	65
Natural		-	66
Green		-	70
Brown		-	71
Cream		-	72
Violet		-	73