

ART. C196

SOLID CONTROL HANDWHEEL

MATERIAL:

Reinforced and stabilised polyamide.
Oils and greases resistant.

SURFACE:

Satin.

COLOUR:

Black (RAL 9011).

CENTRAL CAP:

Grey polyamide (RAL 7035 code 13).

ALTERNATIVE CAP COLOUR:

Orange (RAL 2004 cod. 02).

Blue (RAL 5015 cod. 07).

Yellow (RAL 1021 cod.10).

Red (RAL 3000 cod.16).

Green (RAL 6024 cod.17).

Black (RAL 9011 cod. 01).

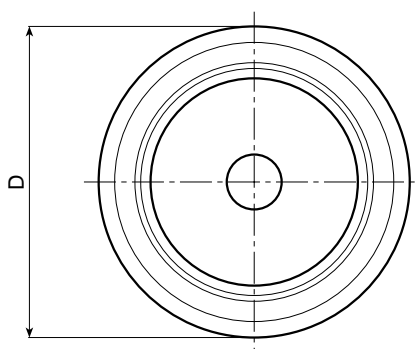
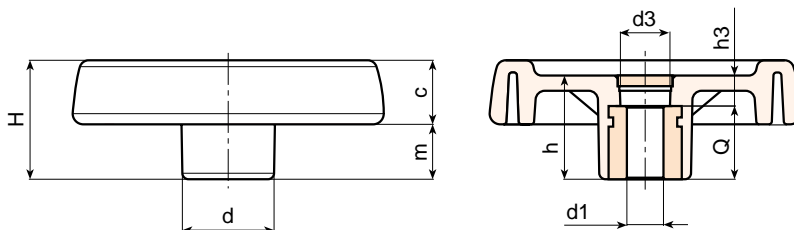
MAIN INSERT:

Zinc plated steel right through bored bush
with H7 tolerance.

For fixing systems, or execution of tabs
or square holes, please refer to the technical
notes attached to the catalogue.

SPECIAL REQUESTS:

- It is possible to supply the inserts with d1 diameter by customer design, on request and for quantities.
- It is possible to supply the inserts in different materials, on request and for quantities.
- It is possible to supply the inserts with different treatment-finishes, on request and for quantities.
- It is possible to supply the complete handwheels with colours as shown in the table at page 11, on request and for quantities.



Art.	D	H	h	d	m	c	d3	h3	d1 H7	Q	dm	Weight (gr)
C196-80 D05	81	33	29	25	16	17	16	9	5 H9	20	12	100
C196-80 D10	81	33	29	25	16	17	16	9	10	20	12	100
C196-100 D05	100	39	34	30	18,5	20,5	16	10	5 H9	24	16	192
C196-100 D10	100	39	34	30	18,5	20,5	16	10	10	24	16	190
C196-125 D05	125	44	37	36	20	24	26	13	5 H9	24	18	295
C196-125 D12	125	44	37	36	20	24	26	13	12	24	18	290
C196-150 D05	150	54	44	38	25	29	26	12	5 H9	32	22	520
C196-150 D14	150	54	44	38	25	29	26	12	14	32	22	505
C196-175 D05	173	57	47	40	25,5	31,5	26	15	5 H9	32	22	660
C196-175 D16	173	57	47	40	25,5	31,5	26	15	16	32	22	650
C196-200 D05	202	59	49	44	24	35	27	13	5 H9	36	28	870
C196-200 D20	202	59	49	44	24	35	27	13	20	36	28	855
C196-250 D05	249	68	58	59	29	39	36	22	5 H9	36	28	1420
C196-250 D20	249	68	58	59	29	39	36	22	20	36	28	1400

It's possible to increase the hole, by boring, until dm.

ART. C198

SOLID CONTROL HANDWHEEL WITH REVOLVING FOLDING HANDLE

MATERIAL:

Reinforced and stabilised polyamide.
Oils and greases resistant.

SURFACE:

Satin.

HANDWHEEL AND HANDLE COLOUR:

Black (RAL 9011).

CENTRAL CAP:

Grey polyamide (RAL 7035 code 13).

ALTERNATIVE CAP COLOUR:

Orange (RAL 2004 cod. 02).

Blue (RAL 5015 cod. 07).

Yellow (RAL 1021 cod.10).

Red (RAL 3000 cod.16).

Green (RAL 6024 cod.17).

Black (RAL 9011 cod. 01).

MAIN INSERT:

Zinc plated steel right through bored bush with H7 tolerance.

SIDE INSERT:

Brass right through threaded bush.

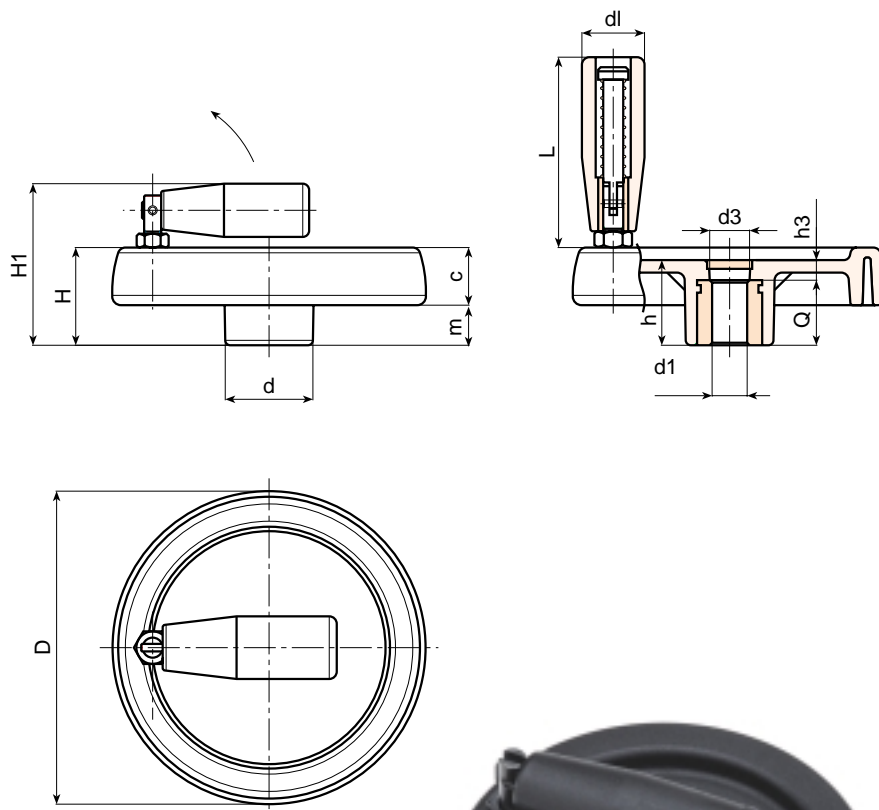
SIDE HANDLE:

Revolving handle and folding Art. M136 (see chapter M on page 10).

For fixing systems, or execution of tabs or square holes, please refer to the technical notes attached to the catalogue.

SPECIAL REQUESTS:

- It is possible to supply the inserts with d1 diameter by customer design, on request and for quantities.
- It is possible to supply the inserts in different materials, on request and for quantities.
- It is possible to supply the inserts with different treatment-finishes, on request and for quantities.
- It is possible to supply the complete handwheels with colours as shown in the table at page 11, on request and for quantities.



Art.	D	H	H1	h	d	m	c	d3	h3	d1 H7	Q	dm	dl	L	Weight (gr)
C198-80 D05	81	33	57	29	25	16	17	16	9	5 H9	20	12	20	56	145
C198-80 D10	81	33	57	29	25	16	17	16	9	10	20	12	20	56	142
C198-100 D05	100	39	63	34	30	18,5	20,5	16	10	5 H9	24	16	20	56	235
C198-100 D10	100	39	63	34	30	18,5	20,5	16	10	10	24	16	20	56	232
C198-125 D05	125	44	74	37	36	20	24	26	13	5 H9	24	18	25	76	360
C198-125 D12	125	44	74	37	36	20	24	26	13	12	24	18	25	76	355
C198-150 D05	150	54	89	44	38	25	29	26	12	5 H9	32	22	26	89	670
C198-150 D14	150	54	89	44	38	25	29	26	12	14	32	22	26	89	660
C198-175 D05	173	57	92	47	40	25,5	31,5	26	15	5 H9	32	22	26	97	810
C198-175 D16	173	57	92	47	40	25,5	31,5	26	15	16	32	22	26	97	800
C198-200 D05	202	59	94	49	44	24	35	27	13	5 H9	36	28	26	97	1030
C198-200 D20	202	59	94	49	44	24	35	27	13	20	36	28	26	97	1015
C198-250 D05	249	68	100	58	59	29	39	36	22	5 H9	36	28	26	97	1580
C198-250 D20	249	68	100	58	59	29	39	36	22	20	36	28	26	97	1567

It's possible to increase the hole, by boring, until dm.

ART. C197

SOLID CONTROL HANDWHEEL WITH REVOLVING HANDLE

MATERIAL:

Reinforced and stabilised polyamide.
Oils and greases resistant.

SURFACE:

Satin.

HANDWHEEL AND HANDLE COLOUR:

Black (RAL 9011).

CENTRAL CAP:

Grey polyamide (RAL 7035 code 13).

ALTERNATIVE CAP COLOUR:

Orange (RAL 2004 cod. 02).
Blue (RAL 5015 cod. 07).
Yellow (RAL 1021 cod.10).
Red (RAL 3000 cod.16).
Green (RAL 6024 cod.17).
Black (RAL 9011 cod. 01).

MAIN INSERT:

Zinc plated steel right through bored bush
with H7 tolerance.

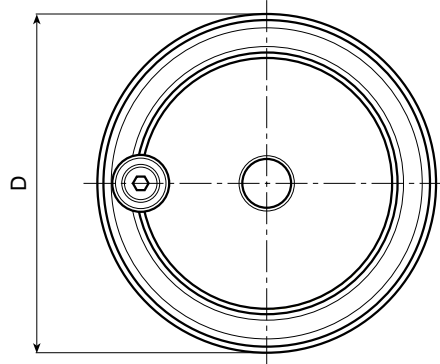
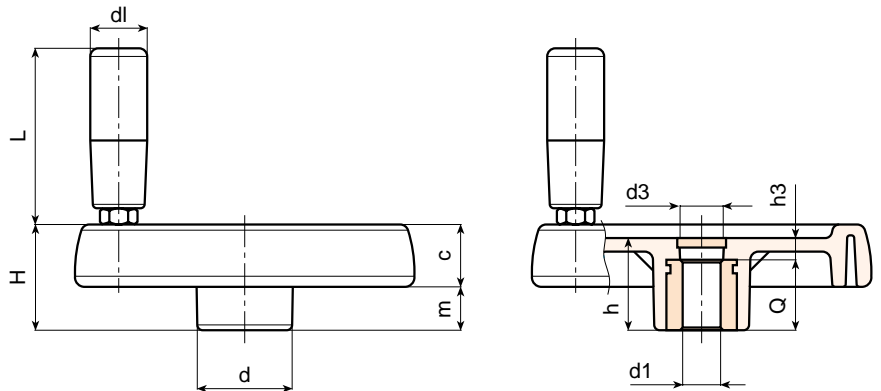
SIDE INSERT:

Brass right through threaded bush.

SIDE HANDLE:

Revolving handle Art. M144
(see chapter M on page 6).

For fixing systems, or execution of tabs
square holes, please refer to the technical
notes attached to the catalogue.



SPECIAL REQUESTS:

- It is possible to supply the inserts with d1 diameter by customer design, on request and for quantities.
- It is possible to supply the inserts in different materials, on request and for quantities.
- It is possible to supply the inserts with different treatment-finishes, on request and for quantities.
- It is possible to supply the complete handwheels with colours as shown in the table at page 11, on request and for quantities.

Art.	D	H	h	d	m	c	d3	h3	d1 H7	Q	dm	dl	L	Weight (gr)
C197-80 D05	81	33	29	25	16	17	16	9	5 H9	20	12	20	56	130
C197-80 D10	81	33	29	25	16	17	16	9	10	20	12	20	56	130
C197-100 D05	100	39	34	30	18,5	20,5	16	10	5 H9	24	16	20	56	192
C197-100 D10	100	39	34	30	18,5	20,5	16	10	10	24	16	20	56	190
C197-125 D05	125	44	37	36	20	24	26	13	5 H9	24	18	21	65	351
C197-125 D12	125	44	37	36	20	24	26	13	12	24	18	21	65	347
C197-150 D05	150	54	44	38	25	29	26	12	5 H9	32	22	23	76	588
C197-150 D14	150	54	44	38	25	29	26	12	14	32	22	23	76	573
C197-175 D05	173	57	47	40	25,5	31,5	26	15	5 H9	32	22	25	86	770
C197-175 D16	173	57	47	40	25,5	31,5	26	15	16	32	22	25	86	760
C197-200 D05	202	59	49	44	24	35	27	13	5 H9	36	28	25	86	980
C197-200 D20	202	59	49	44	24	35	27	13	20	36	28	25	86	965
C197-250 D05	249	68	58	59	29	39	36	22	5 H9	36	28	25	86	1530
C197-250 D20	249	68	58	59	29	39	36	22	20	36	28	25	86	1510

It's possible to increase the hole, by boring, until **dm**.

OPTIONS



ART. C193



ART. C195



ART. C194



STANDARD ART. C SERIES

ART. C193

SOLID CONTROL HANDWHEEL REVOLVING HANDLE M145

Art.	D	d1	L	Weight (gr)	OTHER VALUES
C193-80	81	20	55	135	see table C197
C193-100	100	20	55	220	see table C197
C193-125	125	23	66	370	see table C197
C193-150	150	25	76	594	see table C197
C193-175	173	25	87	750	see table C197
C193-200	202	27	96	965	see table C197
C193-250	249	27	96	1500	see table C197

SIDE HANDLE:

Revolving handle Art. M145 (see chapter M page 8).

For details of the handwheel see those for art. C197.

ART. C194

SOLID CONTROL HANDWHEEL WITH REVOLVING HANDLE M129

Art.	D	d1	L	Weight (gr)	OTHER VALUES
C194-80	81	20	52	145	see table C197
C194-100	100	20	52	235	see table C197
C194-125	125	23	62	350	see table C197
C194-150	150	25	72	610	see table C197
C194-175	173	25	81	755	see table C197
C194-200	202	27	93	975	see table C197
C194-250	249	27	93	1520	see table C197

SIDE HANDLE:

Revolving handle Art. M129 (see chapter M page 9).

For details of the handwheel see those for art. C197.

ART. C195

SOLID CONTROL HANDWHEEL WITH REVOLVING HANDLE "EUROMODEL" M202

Art.	D	d1	L	Weight (gr)	OTHER VALUES
C195-150	150	40	64	610	see table C197
C195-175	173	40	64	750	see table C197
C195-200	202	40	64	960	see table C197
C195-250	249	40	64	1490	see table C197

SIDE HANDLE:

Revolving handle Art. M202 (see chapter M page 18).

For details of the handwheel see those for art. C197.

STANDARD ART. C SERIES

BASE FOR SOLID CONTROL HANDWHEEL WITH PROVISION FOR HANDLE

Art.	D	d1	side handle threading	Weight (gr)	OTHER VALUES
C80	81	5 H9	M6	100	see table C197
C100	100	5 H9	M6	190	see table C197
C125	125	5 H9	M8	290	see table C197
C150	150	5 H9	M10	520	see table C197
C175	173	5 H9	M10	660	see table C197
C200	202	5 H9	M10	870	see table C197
C250	249	5 H9	M10	1400	see table C197

This article is recommended for distributors.

For details of the handwheel see those for art. C197.

ART. C199

SOLID CONTROL HANDWHEEL WITH FOLDAWAY REVOLVING HANDLE

MATERIAL:

Reinforced and stabilised polyamide.
Oils and greases resistant.

SURFACE:

Satin.

HANDWHEEL AND HANDLE COLOUR:

Black (RAL 9011).

CENTRAL CAP:

Grey polyamide (RAL 7035 code 13).

MAIN INSERT:

Zinc plated steel right through bored bush with H7 tolerance.

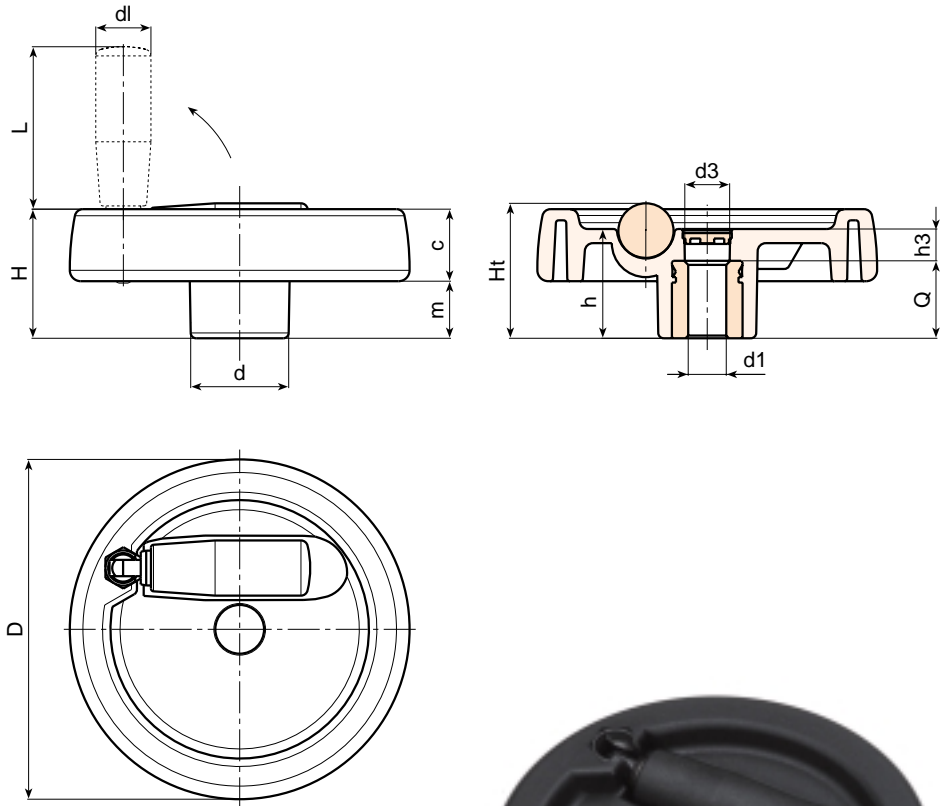
SIDE HANDLE:

Flush, foldaway revolving handle, with hexagonal connection. Reinforced polyamide handle. Black-oxide treated internal mechanism. Fixed with black-oxide treated hexagon socket button head screw ISO 7838.

For fixing systems, or execution of tabs or square holes, please refer to the technical notes attached to the catalogue.

SPECIAL REQUESTS:

- It is possible to supply the inserts with d1 diameter by customer design, on request and for quantities.
- It is possible to supply the inserts in different materials, on request and for quantities.
- It is possible to supply the inserts with different treatment-finishes, on request and for quantities.
- It is possible to supply the complete handwheels with colours as shown in the table at page 11, on request and for quantities.

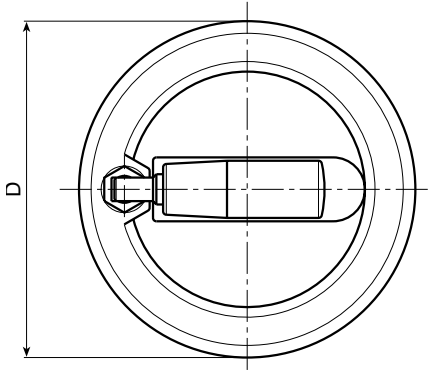
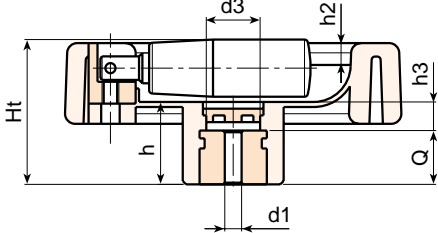
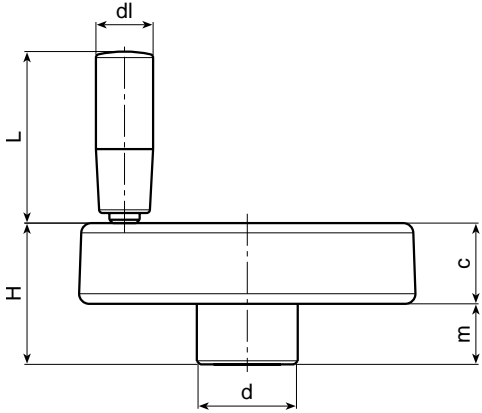


Art.	D	H	Ht	h	d	m	c	h3	d3	d1 H7	Q	dm	dl	L	Weight (gr)
C199-125 D05	124	48	49,5	40	36	21,5	26,5	16	15	5 H9	24	18	20	38	349
C199-125 D12	124	48	49,5	40	36	21,5	26,5	16	15	12	24	18	20	38	343
C199-150 D05	149	53	-	44	38	24,5	28,5	12	26	5 H9	32	22	20	58	500
C199-150 D14	149	53	-	44	38	24,5	28,5	12	26	14	32	22	20	58	492
C199-175 D05	174	58	-	48	40	24,5	33,5	16	26	5 H9	32	28	26	80	715
C199-175 D16	174	58	-	48	40	24,5	33,5	16	26	16	32	28	26	80	705
C199-200 D05	198	63	-	53	44	24,5	38,5	17	26	5 H9	36	28	27	90	1015
C199-200 D20	198	63	-	53	44	24,5	38,5	17	26	20	36	28	27	90	1000
C199-250 D05	250	67	-	58	60	29	38	22	36	5 H9	36	28	27	90	1500
C199-250 D20	250	67	-	58	60	29	38	22	36	20	36	28	27	90	1485

It's possible to increase the hole, by boring, until **dm**.

ART. C199

SOLID CONTROL HANDWHEEL WITH CENTRAL FOLDAWAY REVOLVING HANDLE



MATERIAL:
Reinforced and stabilised polyamide.
Oils and greases resistant.

SURFACE:
Satin.

HANDWHEEL AND HANDLE COLOUR:
Black (RAL 9011).

CENTRAL CAP:
Grey polyamide (RAL 7035 code 13).

MAIN INSERT:
Zinc plated steel right through bored bush with H7 tolerance.

SIDE HANDLE:
Flush, foldaway revolving handle, with hexagonal connection. Reinforced polyamide handle. Black-oxide treated internal mechanism. Fixed with black-oxide treated hexagon socket button head screw ISO 7838.

For fixing systems, or execution of tabs or square holes, please refer to the technical notes attached to the catalogue.

SPECIAL REQUESTS:

- It is possible to supply the inserts with d1 diameter by customer design, on request and for quantities.
- It is possible to supply the inserts in different materials, on request and for quantities.
- It is possible to supply the inserts with different treatment-finishes, on request and for quantities.
- It is possible to supply the complete handwheels with colours as shown in the table at page 11, on request 0and for quantities.

Art.	D	H	Ht	h	d	m	c	h2	h3	d3	d1 H7	Q	dm	dl	L	Weight (gr)
C199-80 D05	80	33	35	19	25	15	18	4	6	15	5 H9	13	12	16	38	113
C199-80 D10	80	33	35	19	25	15	18	4	6	15	10	13	12	16	38	110
C199-100 D05	100	42	43,5	24	30	18	24	6,5	8	17	5 H9	16	16	17	48	240
C199-100 D10	100	42	43,5	24	30	18	24	6,5	8	17	10	16	16	17	48	237

It's possible to increase the hole, by boring, until **dm**.

ART. C970

SOLID CONTROL HANDWHEEL WITH REVOLVING HANDLE AND LOCKING HANDWHEEL

MATERIAL:

Reinforced and stabilised polyamide.
Oils and greases resistant.

SURFACE:

Satin.

HANDWHEEL AND HANDLE COLOUR:

Black (RAL 9011).

CENTRAL CAP:

Grey polyamide (RAL 7035 code 13).

MAIN INSERT:

Zinc plated steel right through bored bush with H7 tolerance.

SIDE INSERT:

Brass right through threaded bush.

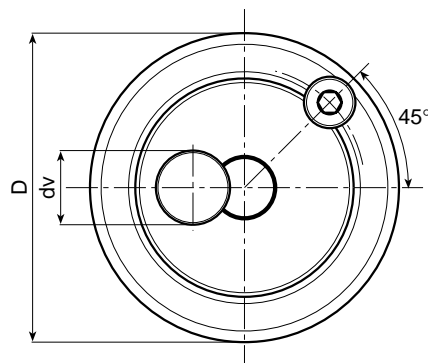
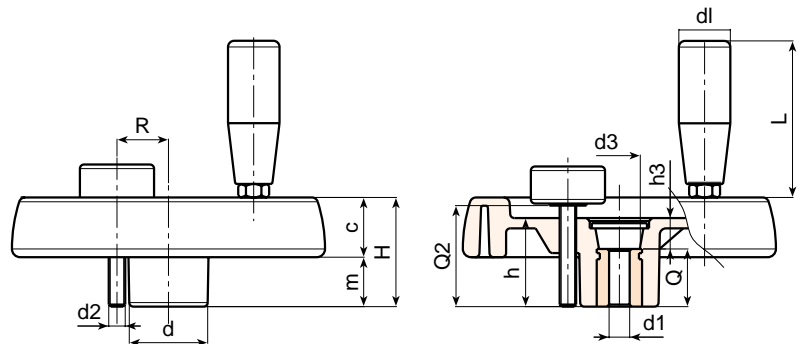
SIDE HANDLE:

Revolving handle Art. M144
(see chapter M on page 6).

LOCKING HANDWHEEL: Cylindrical handwheel G793-36 with threaded stud (see chapter G page 12). Black (RAL 9011).

Caution: the R and Q2 dimensions of the handwheel must be chosen by the customer according to the dimensions of the machinery on which it will be installed.

For fixing systems, or execution of tabs or square holes, please refer to the technical notes attached to the catalogue.



SPECIAL REQUESTS:

- It is possible to supply the inserts with d1 diameter by customer design, on request and for quantities.
- It is possible to supply the inserts in different materials, on request and for quantities.
- It is possible to supply the inserts with different treatment-finishes, on request and for quantities.
- It is possible to supply the complete handwheels with colours as shown in the table at page 11, on request and for quantities.

Art.	D	H	h	d	m	c	d3	h3	R	d2	Q2	d1 H7	Q	dm	dl	L	Weight (gr)
C970-100 D05	100	39	34	30	18,5	20,5	16	10	20	M6	A.R.	5 H9	24	16	20	56	252
C970-100 D10	100	39	34	30	18,5	20,5	16	10	20	M6	A.R.	10	24	16	20	56	250
C970-125 D05	125	44	37	36	20	24	26	13	22÷25	M6	A.R.	5 H9	24	18	21	65	410
C970-125 D12	125	44	37	36	20	24	26	13	22÷25	M6	A.R.	12	24	18	21	65	407
C970-150 D05	150	54	44	38	25	29	26	12	25÷28	M8	A.R.	5 H9	32	22	21	65	636
C970-150 D14	150	54	44	38	25	29	26	12	25÷28	M8	A.R.	14	32	22	21	65	625
C970-175 D05	173	57	47	40	25,5	31,5	26	15	26÷36	M8	A.R.	5 H9	32	22	23	76	812
C970-175 D16	173	57	47	40	25,5	31,5	26	15	26÷36	M8	A.R.	16	32	22	23	76	802
C970-200 D05	202	59	49	44	24	35	27	13	28÷42	M8	A.R.	5 H9	36	28	25	86	1040
C970-200 D20	202	59	49	44	24	35	27	13	28÷42	M8	A.R.	20	36	28	25	86	1025
C970-250 D05	249	68	58	59	29	39	36	22	36÷50	M8	A.R.	5 H9	36	28	25	86	1590
C970-250 D20	249	68	58	59	29	39	36	22	36÷50	M8	A.R.	20	36	28	25	86	1570

dv= 36 mm.

It's possible to increase the hole, by boring, until dm.

A.R.= Upon Request.

ART. C980

SOLID CONTROL HANDWHEEL WITH REVOLVING FOLDING HANDLE AND LOCKING HANDWHEEL

MATERIAL:

Reinforced and stabilised polyamide.
Oils and greases resistant.

SURFACE:

Satin.

HANDWHEEL AND HANDLE COLOUR:

Black (RAL 9011).

CENTRAL CAP:

Grey polyamide (RAL 7035 code 13).

MAIN INSERT:

Zinc plated steel right through bored bush with H7 tolerance.

SIDE INSERT:

Brass right through threaded bush.

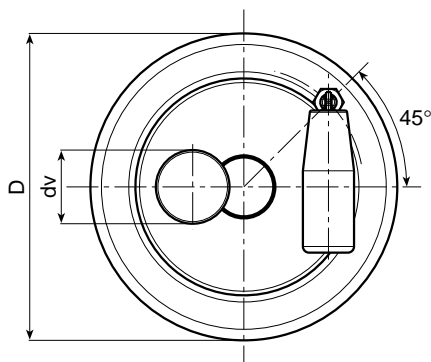
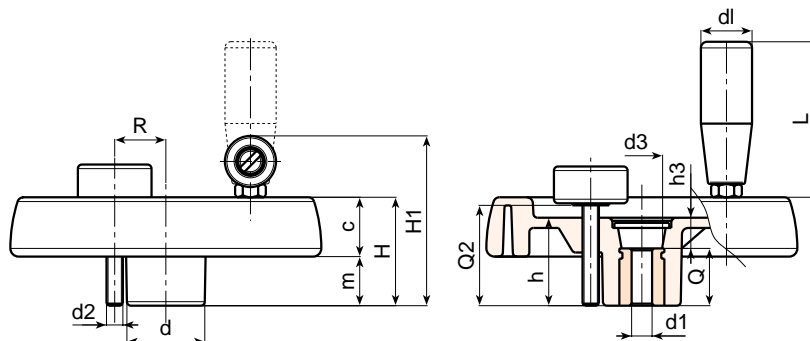
SIDE HANDLE:

Revolving handle and folding Art. M136 (see chapter M on page 10).

LOCKING HANDWHEEL: Cylindrical handwheel G793-36 with threaded stud (see chapter G page 12). Black (RAL 9011).

Caution: the R and Q2 dimensions of the handwheel must be chosen by the customer according to the dimensions of the machinery on which it will be installed.

For fixing systems, or execution of tabs or square holes, please refer to the technical notes attached to the catalogue.



SPECIAL REQUESTS:

- It is possible to supply the inserts with d1 diameter by customer design, on request and for quantities.
- It is possible to supply the inserts in different materials, on request and for quantities.
- It is possible to supply the inserts with different treatment-finishes, on request and for quantities.
- It is possible to supply the complete handwheels with colours as shown in the table at page 11, on request and for quantities.

Art.	D	H	H1	h	d	m	c	d3	h3	R	d2	Q2	d1	H7	Q	dm	dl	L	Weight (gr)
C980-100 D05	100	39	63	34	30	18,5	20,5	16	10	20	M6	A.R.	5	H9	24	16	20	56	295
C980-100 D10	100	39	63	34	30	18,5	20,5	16	10	20	M6	A.R.	10		24	16	20	56	292
C980-125 D05	125	44	74	37	36	20	24	26	13	22÷25	M6	A.R.	5	H9	24	18	25	76	420
C980-125 D12	125	44	74	37	36	20	24	26	13	22÷25	M6	A.R.	12		24	18	25	76	415
C980-150 D05	150	54	89	44	38	25	29	26	12	25÷28	M8	A.R.	5	H9	32	22	26	89	730
C980-150 D14	150	54	89	44	38	25	29	26	12	25÷28	M8	A.R.	14		32	22	26	89	725
C980-175 D05	173	57	92	47	40	25,5	31,5	26	15	26÷36	M8	A.R.	5	H9	32	22	26	89	885
C980-175 D16	173	57	92	47	40	25,5	31,5	26	15	26÷36	M8	A.R.	16		32	22	26	89	875
C980-200 D05	202	59	94	49	44	24	35	27	13	28÷42	M8	A.R.	5	H9	36	28	26	97	1100
C980-200 D20	202	59	94	49	44	24	35	27	13	28÷42	M8	A.R.	20		36	28	26	97	1090
C980-250 D05	249	68	100	58	59	29	39	36	22	36÷50	M8	A.R.	5	H9	36	28	26	97	1640
C980-250 D20	249	68	100	58	59	29	39	36	22	36÷50	M8	A.R.	20		36	28	26	97	1627

dv= 36 mm.

It's possible to increase the hole, by boring, until dm.

A.R.= Upon Request.

ART. C990

SOLID CONTROL HANDWHEEL WITH FOLDAWAY REVOLVING HANDLE AND LOCKING HANDWHEEL

MATERIAL:

Reinforced and stabilised polyamide.
Oils and greases resistant.

SURFACE:

Satin.

HANDWHEEL AND HANDLE COLOUR:

Black (RAL 9011).

CENTRAL CAP:

Grey polyamide (RAL 7035 code 13).

MAIN INSERT:

Zinc plated steel right through bored bush with H7 tolerance.

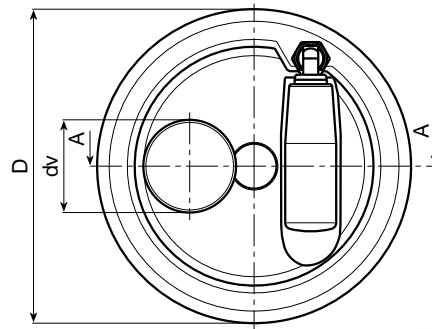
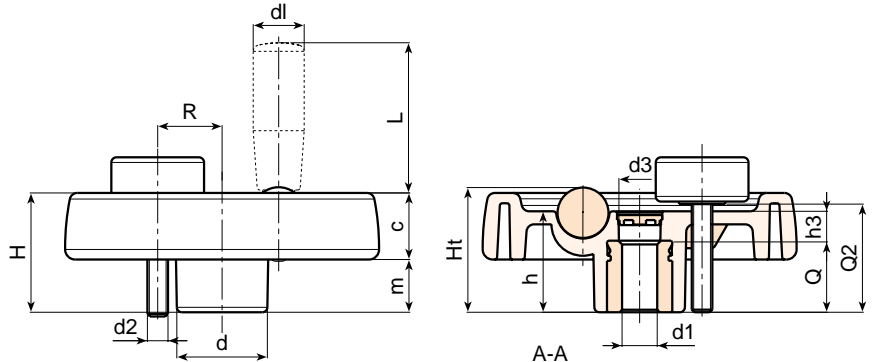
SIDE HANDLE:

Flush, foldaway revolving handle, with hexagonal connection. Reinforced polyamide handle. Black-oxide treated internal mechanism. Fixed with black-oxide treated hexagon socket button head screw ISO 7838.

LOCKING HANDWHEEL: Cylindrical handwheel G793-36 with threaded stud (see chapter G page 12). Black (RAL 9011).

Caution: the R and Q2 dimensions of the handwheel must be chosen by the customer according to the dimensions of the machinery on which it will be installed.

For fixing systems, or execution of tabs or square holes, please refer to the technical notes attached to the catalogue.



SPECIAL REQUESTS:

- It is possible to supply the inserts with d1 diameter by customer design, on request and for quantities.
- It is possible to supply the inserts in different materials, on request and for quantities.
- It is possible to supply the inserts with different treatment-finishes, on request and for quantities.
- It is possible to supply the complete handwheels with colours as shown in the table at page 11, on request and for quantities.

Art.	D	H	Ht	h	d	m	c	h3	d3	R	d2	Q2	d1 H7	Q	dm	dl	L	Weight (gr)
C990-125 D05	124	48	49,5	40	36	21,5	26,5	16	15	22÷25	M6	A.R.	5 H9	24	18	20	38	410
C990-125 D12	124	48	49,5	40	36	21,5	26,5	16	15	22÷25	M6	A.R.	12	24	18	20	38	408
C990-150 D05	149	53	-	44	38	24,5	28,5	12	26	25÷28	M8	A.R.	5 H9	32	22	20	58	560
C990-150 D14	149	53	-	44	38	24,5	28,5	12	26	25÷28	M8	A.R.	14	32	22	20	58	592
C990-175 D05	174	58	-	48	40	24,5	33,5	16	26	26÷36	M8	A.R.	5 H9	32	28	26	80	775
C990-175 D16	174	58	-	48	40	24,5	33,5	16	26	26÷36	M8	A.R.	16	32	28	26	80	765
C990-200 D05	198	63	-	53	44	24,5	38,5	17	26	28÷42	M8	A.R.	5 H9	36	28	27	90	1075
C990-200 D20	198	63	-	53	44	24,5	38,5	17	26	28÷42	M8	A.R.	20	36	28	27	90	1060
C990-250 D05	250	67	-	58	60	29	38	22	36	36÷50	M8	A.R.	5 H9	36	28	27	90	1560
C990-250 D20	250	67	-	58	60	29	38	22	36	36÷50	M8	A.R.	20	36	28	27	90	1545

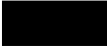


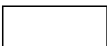









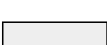


dv= 36 mm.

It's possible to increase the hole, by boring, until dm.










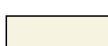


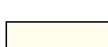

A.R.= Upon Request.

COLOUR CHART

R A L

COLOUR		RAL	CODE
Black		9011	01
Orange		2004	02
Orange		2011	03
White		9010	04
Blue		5002	05
Blue		5005	06
Blue		5015	07
Blue		5018	19
Blue		5019	21
Blue		5010	22
Yellow		1007	09
Yellow		1021	10
Grey		7024	12
Grey		7035	13
Red		3000	16
Green		6024	17

O T H E R C O L O U R S

COLOUR		REF.	CODE
White		-	52
Blue		-	53
Blue		pant. 645 U	54
Blue		pant. 300	55
Grey		-	57
Grey		-	59
Grey		NCS 7500	60
Red		-	64
Red		-	65
Natural		-	66
Green		-	70
Brown		-	71
Cream		-	72
Violet		-	73

ART. D205

TWO SPOKE CONTROL HANDWHEEL

MATERIAL:

Reinforced and stabilised polyamide.
Oils and greases resistant.

SURFACE:

Satin.

HANDWHEEL COLOUR:

Black (RAL 9011).

CENTRAL CAP:

Grey polyamide (RAL 7035 code 13).

ALTERNATIVE CAP COLOUR:

Orange (RAL 2004 code 02).
Blue (RAL 5015 code 07).
Yellow (RAL 1021 code 10).
Red (RAL 3000 code 16).
Green (RAL 6024 code 17).
Black (RAL 9011 code 01).

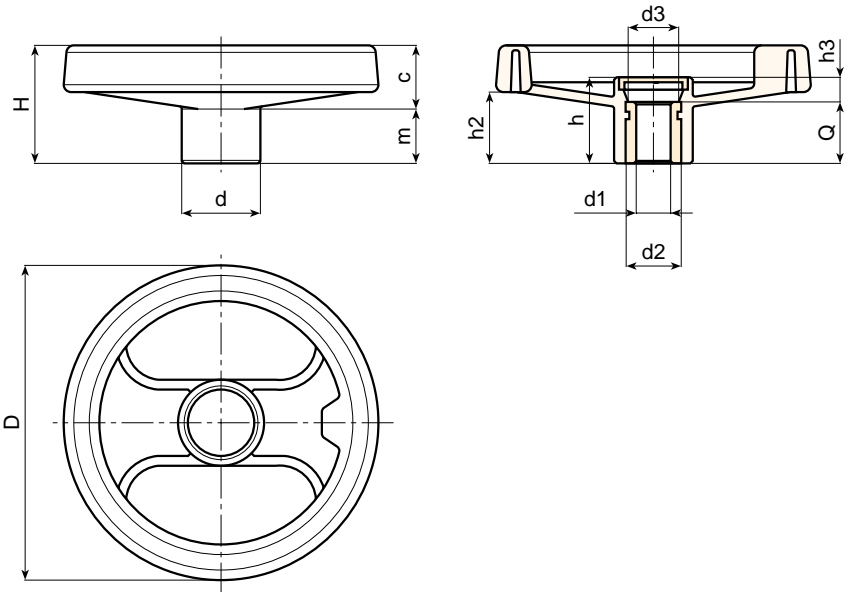
MAIN INSERT:

Zinc plated steel right through bored bush
with H7 tolerance.

HUB:

Solid hub.

(*) Hollow underneath hub.



For fixing systems, or execution of tabs
or square holes, please refer to the technical notes
attached to the catalogue.

SPECIAL REQUESTS:

- It is possible to supply the inserts with d1 diameter by customer design, on request and for quantities.
- It is possible to supply the inserts with threaded d1 diameter, on request and for quantities.
- It is possible to supply the inserts in different materials, on request and for quantities.
- It is possible to supply the inserts with different treatment-finishes, on request and for quantities.
- It is possible to supply the complete handwheels with colours as shown in the table at page 19, on request and for quantities.



Art.	D	H	h	d	m	c	h2	h3	d3	d1 H7	Q	dm	Weight (gr)
D205-80 D05	80	34	26	24,5	16	18	20	6	16	5 H9	20	12	94
D205-80 D10	80	34	26	24,5	16	18	20	6	16	10	20	12	92
D205-100 D05	99	43	33	28	20	23	26,5	9	16	5 H9	24	16	152
D205-100 D10	99	43	33	28	20	23	26,5	9	16	10	24	16	150
D205-130 D05	129	50	36	32	21	29	32	12	26	5 H9	24	18	240
D205-130 D12	129	50	36	32	21	29	32	12	26	12	24	18	237
D205-160 D05	159	57	40,5	40	22	35	34	8,5	26	5 H9	32	22	390
D205-160 D14	159	57	40,5	40	22	35	34	8,5	26	14	32	22	385
D205-200 D05	198	61,5	39,5	51	17,5	44	33	7,5	26	(*) 5 H9	32	22	630
D205-200 D16	198	61,5	39,5	51	17,5	44	33	7,5	26	(*) 16	32	22	624
D205-250 D05	252	70	47	55,5	24	46	39	11	24	(*) 5 H9	36	28	920
D205-250 D20	252	70	47	55,5	24	46	39	11	24	(*) 20	36	28	910
D205-350 D05	346	80	49,5	67,5	24	56	43,5	17,5	35	(*) 5 H9	32	30	1530
D205-350 D20	346	80	49,5	67,5	24	56	43,5	17,5	35	(*) 20	32	30	1520

It's possible to increase the hole, by boring, until **dm**.

ART. D206

TWO SPOKE CONTROL HANDWHEEL WITH REVOLVING HANDLE

MATERIAL:

Reinforced and stabilised polyamide.
Oils and greases resistant.

SURFACE:

Satin.

HANDWHEEL AND HANDLE COLOUR:

Black (RAL 9011).

CENTRAL CAP:

Grey polyamide (RAL 7035 code 13).

ALTERNATIVE CAP COLOUR:

Orange (RAL 2004 code 02).

Blue (RAL 5015 code 07).

Yellow (RAL 1021 code 10).

Red (RAL 3000 code 16).

Green (RAL 6024 code 17).

Black (RAL 9011 code 01).

MAIN INSERT:

Zinc plated steel right through bored bush
with H7 tolerance.

SIDE INSERT:

Brass right through threaded bush.

(+) Black-oxide treated steel insert with hexagonal
threaded through hole. Fixed with black-oxide
treated hexagon socket button head screw
ISO 7838.

SIDE HANDLE:

Revolving handle Art. M144 (see chapter M on page 6).

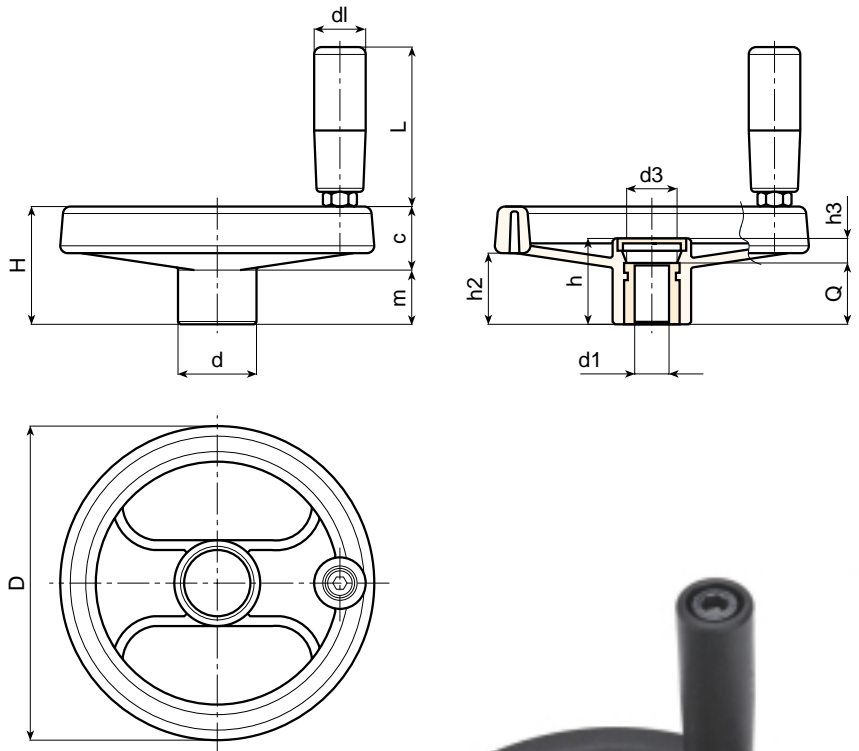
HUB:

Solid hub. (*) Hollow underneath hub.

For fixing systems, or execution of tabs or square holes,
please refer to the technical notes attached to the catalogue.

SPECIAL REQUESTS:

- It is possible to supply the inserts with d1 diameter by customer design, on request and for quantities.
- It is possible to supply the inserts with threaded d1 diameter, on request and for quantities.
- It is possible to supply the inserts in different materials, on request and for quantities.
- It is possible to supply the inserts with different treatment-finishes, on request and for quantities.
- It is possible to supply the complete handwheels with colours as shown in the table at page 19, on request and for quantities.



Art.	D	H	h	d	m	c	h2	h3	d3	d1 H7	Q	dm	dl	L	Weight (gr)
D206-80 D05	80	34	26	24,5	16	18	20	6	16	5 H9	20	12	20	56	125
D206-80 D10	80	34	26	24,5	16	18	20	6	16	10	20	12	20	56	124
D206-100 D05	99	43	33	28	20	23	26,5	9	16	5 H9	24	16	20	56	182
D206-100 D10	99	43	33	28	20	23	26,5	9	16	10	24	16	20	56	180
D206-130 D05	129	50	36	32	21	29	32	12	26	5 H9	24	18	21	65	296
D206-130 D12	129	50	36	32	21	29	32	12	26	12	24	18	21	65	293
D206-160 D05	159	57	40,5	40	22	35	34	8,5	26	5 H9	32	22	23	76	458
D206-160 D14	159	57	40,5	40	22	35	34	8,5	26	14	32	22	23	76	453
D206-200 D05	198	61,5	39,5	51	17,5	44	33	7,5	26	(*) 5 H9	32	22	23	76	700
D206-200 D16	198	61,5	39,5	51	17,5	44	33	7,5	26	(*) 16	32	22	23	76	692
D206-250 D05	252	70	47	55,5	24	46	39	11	24	(*) 5 H9	36	28	25	86	1030
D206-250 D20	252	70	47	55,5	24	46	39	11	24	(*) 20	36	28	25	86	1020
D206-350 D05	346	80	49,5	67,5	24	56	43,5	17,5	35	(*)(+) 5 H9	32	30	25	86	1640
D206-350 D20	346	80	49,5	67,5	24	56	43,5	17,5	35	(*)(+) 20	32	30	25	86	1630

It's possible to increase the hole, by boring, until **dm**.

OPTIONS



ART. D209



ART. D210

ART. D211



STANDARD ART. D SERIES



ART. D209

TWO SPOKE CONTROL HANDWHEEL WITH REVOLVING HANDLE M145

Art.	D	d1	L	Weight (gr)	OTHER VALUES
D209-80	80	20	55	126	see table D206
D209-100	99	20	55	185	see table D206
D209-130	129	23	66	314	see table D206
D209-160	159	25	76	467	see table D206
D209-200	198	25	76	712	see table D206
D209-250	252	25	87	1010	see table D206
D209-350	346	25	87	1620	see table D206

SIDE HANDLE:

Revolving Handle Art. M145 (see chapter M page 8).

For details of the handwheel see those for art. D206.

ART. D210

TWO SPOKE CONTROL HANDWHEEL WITH REVOLVING HANDLE M129

Art.	D	d1	L	Weight (gr)	OTHER VALUES
D210-80	80	20	56	145	see table D206
D210-100	99	20	56	235	see table D206
D210-130	129	21	65	350	see table D206
D210-160	159	21	76	610	see table D206
D210-200	198	25	76	755	see table D206
D210-250	252	25	87	975	see table D206
D210-350	346	25	87	1630	see table D206

SIDE HANDLE:

Revolving Handle Art. M129 (see chapter M page 9).

For details of the handwheel see those for art. D206.

ART. D211

TWO SPOKE CONTROL HANDWHEEL WITH REVOLVING HANDLE "EUROMODEL" M202

Art.	D	d1	L	Weight (gr)	OTHER VALUES
D211-250	252	40	64	1000	see table D206
D211-350	346	40	64	1600	see table D206

SIDE HANDLE:

Revolving Handle Art. M202 (see chapter M page 18).

For details of the handwheel see those for art. D206.

STANDARD ART. D SERIES

BASE FOR TWO SPOKE CONTROL HANDWHEEL WITH PROVISION FOR HANDLE

Art.	D	d1	side handle threading	Weight (gr)	OTHER VALUES
D80	80	5 H9	M6	95	see table D206
D100	99	5 H9	M6	150	see table D206
D130	129	5 H9	M8	240	see table D206
D160	159	5 H9	M8	390	see table D206
D200	198	5 H9	M8	640	see table D206
D250	252	5 H9	M10	910	see table D206
D350	346	5 H9	M10	1530	see table D206

This article is recommended for distributors.

For details of the handwheel see those for art. D206.

ART. D208

TWO SPOKE CONTROL HANDWHEEL WITH REVOLVING FOLDING HANDLE

MATERIAL:

Reinforced and stabilised polyamide.
Oils and greases resistant.

SURFACE:

Satin.

HANDWHEEL AND HANDLE COLOUR:

Black (RAL 9011).

CENTRAL CAP:

Grey polyamide (RAL 7035 code 13).

ALTERNATIVE CAP COLOUR:

Orange (RAL 2004 code 02).

Blue (RAL 5015 code 07).

Yellow (RAL 1021 code 10).

Red (RAL 3000 code 16).

Green (RAL 6024 code 17).

Black (RAL 9011 code 01).

MAIN INSERT:

Zinc plated steel right through bored bush
with H7 tolerance.

SIDE INSERT:

Brass right through threaded bush.

(+) Black-oxide treated steel insert with hexagonal
threaded through hole. Fixed with black-oxide
treated hexagon socket button head screw ISO 7838.

SIDE HANDLE:

Revolving handle and folding Art. M136
(see chapter M on page 10).

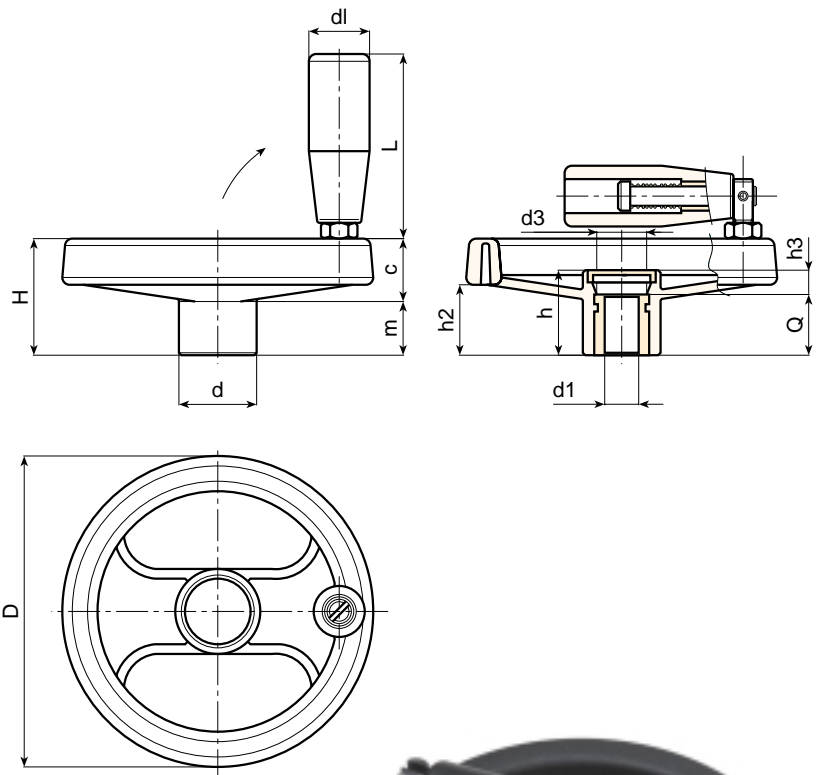
HUB:

Solid hub. (*) Hollow underneath hub.

For fixing systems, or execution of tabs or square holes,
please refer to the technical notes attached to the catalogue.

SPECIAL REQUESTS:

- It is possible to supply the inserts with d1 diameter by customer design, on request and for quantities.
- It is possible to supply the inserts with threaded d1 diameter, on request and for quantities.
- It is possible to supply the inserts in different materials, on request and for quantities.
- It is possible to supply the inserts with different treatment-finishes, on request and for quantities.
- It is possible to supply the complete handwheels with colours as shown in the table at page 19, on request and for quantities.



Art.	D	H	h	d	m	c	h2	h3	d3	d1 H7	Q	dm	dl	L	Weight (gr)
D208-80 D05	80	34	26	24,5	16	18	20	6	16	5 H9	20	12	20	56	135
D208-80 D10	80	34	26	24,5	16	18	20	6	16	10	20	12	20	56	134
D208-100 D05	99	43	33	28	20	23	26,5	9	16	5 H9	24	16	20	56	192
D208-100 D10	99	43	33	28	20	23	26,5	9	16	10	24	16	20	56	190
D208-130 D05	129	50	36	32	21	29	32	12	26	5 H9	24	18	25	76	311
D208-130 D12	129	50	36	32	21	29	32	12	26	12	24	18	25	76	308
D208-160 D05	159	57	40,5	40	22	35	34	8,5	26	5 H9	32	22	25	76	460
D208-160 D14	159	57	40,5	40	22	35	34	8,5	26	14	32	22	25	76	455
D208-200 D05	198	61,5	39,5	51	17,5	44	33	7,5	26	(*) 5 H9	32	22	25	76	704
D208-200 D16	198	61,5	39,5	51	17,5	44	33	7,5	26	(*) 16	32	22	25	76	676
D208-250 D05	252	70	47	55,5	24	46	39	11	24	(*) 5 H9	36	28	26	97	1080
D208-250 D20	252	70	47	55,5	24	46	39	11	24	(*) 20	36	28	26	97	1070
D208-350 D05	346	80	49,5	67,5	24	56	43,5	17,5	35	(*)(+) 5 H9	32	30	26	97	1690
D208-350 D20	346	80	49,5	67,5	24	56	43,5	17,5	35	(*)(+) 20	32	30	26	97	1680

It's possible to increase the hole, by boring, until **dm**.

ART. D207

TWO SPOKE CONTROL HANDWHEEL WITH FOLDAWAY REVOLVING HANDLE

MATERIAL:

Reinforced and stabilised polyamide.
Oils and greases resistant.

SURFACE:

Satin.

HANDWHEEL AND HANDLE COLOUR:

Black (RAL 9011).

CENTRAL CAP:

Grey polyamide (RAL 7035 code 13).

ALTERNATIVE CAP COLOUR:

Orange (RAL 2004 code 02).

Blue (RAL 5015 code 07).

Yellow (RAL 1021 code 10).

Red (RAL 3000 code 16).

Green (RAL 6024 code 17).

Black (RAL 9011 code 01).

MAIN INSERT:

Zinc plated steel right through bored bush with H7 tolerance.

SIDE HANDLE:

Flush, foldaway revolving handle, with hexagonal connection. Reinforced polyamide.

Black-oxide treated internal mechanism.

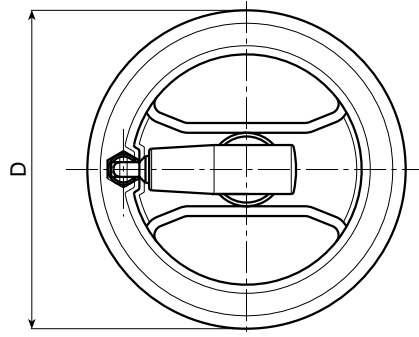
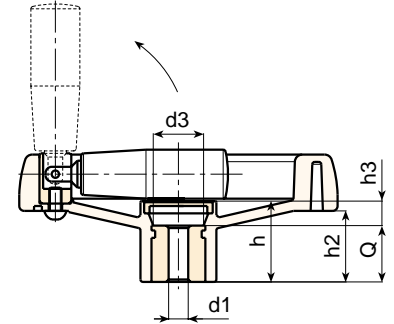
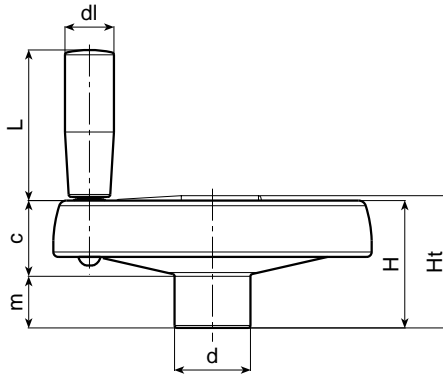
Fixed with black-oxide treated hexagon socket button head screw ISO 7838.

Fixed with black-oxide treated hexagon socket button head screw ISO 7838.

HUB:

Solid hub.

For fixing systems, or execution of tabs or square holes, please refer to the technical notes attached to the catalogue.



SPECIAL REQUESTS:

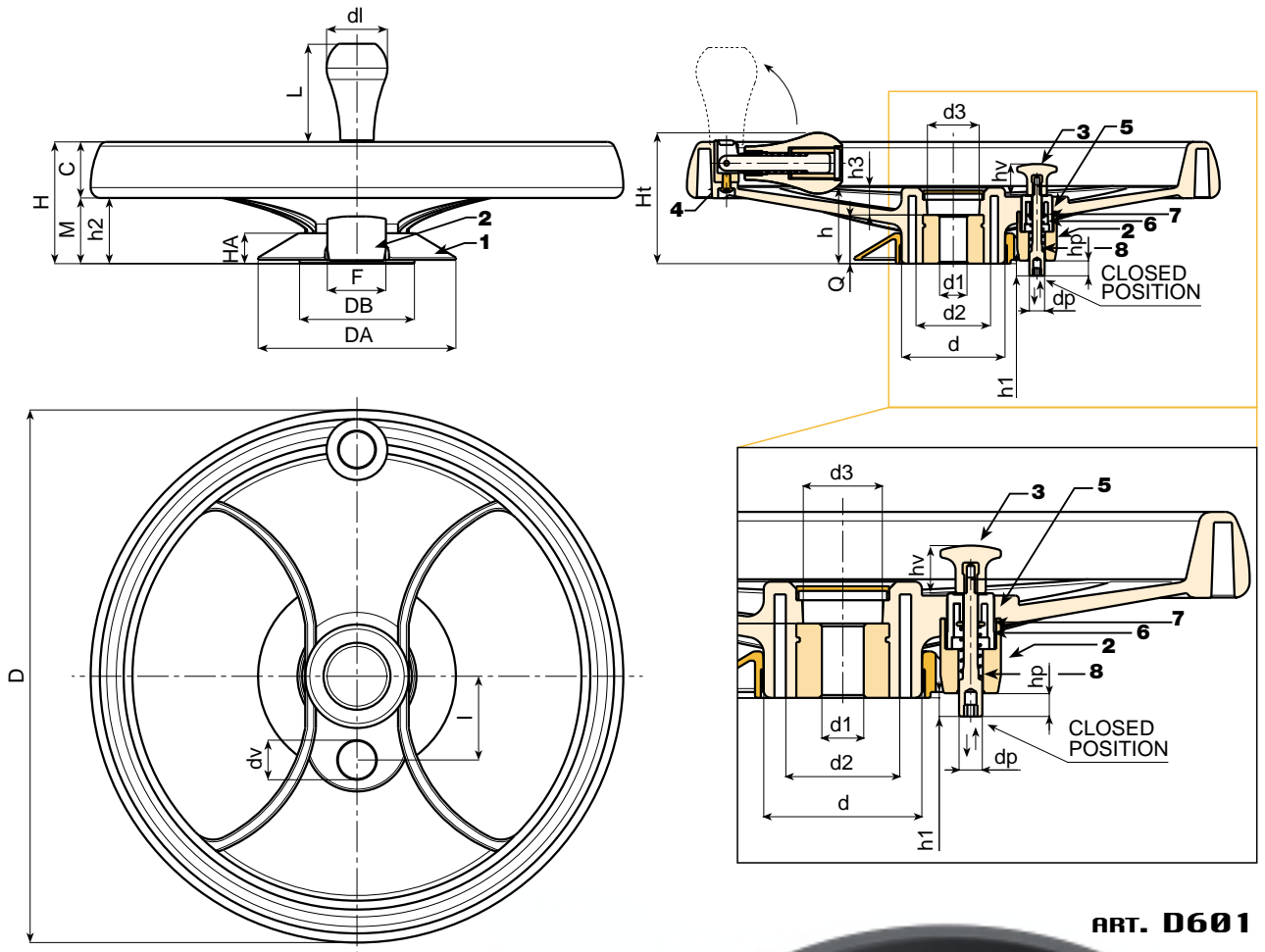
- It is possible to supply the inserts with d1 diameter by customer design, on request and for quantities.
- It is possible to supply the inserts with threaded d1 diameter, on request and for quantities.
- It is possible to supply the inserts in different materials, on request and for quantities.
- It is possible to supply the inserts with different treatment-finishes, on request and for quantities.
- It is possible to supply the complete handwheels with colours as shown in the table at page 19, on request and for quantities.

Art.	D	H	Ht	h	d	m	c	h2	h3	d3	d1 H7	Q	dm	dl	L	Weight (gr)
D207-130 D05	129	53	55	32	32	22	31	30	12	26	5 H9	20	18	20	58	300
D207-130 D12	129	53	55	32	32	22	31	30	12	26	12	20	18	20	58	297
D207-160 D05	159	55	59	33,5	40	20,5	34,5	31	9,5	26	5 H9	24	22	25	71	450
D207-160 D14	159	55	59	33,5	40	20,5	34,5	31	9,5	26	14	24	22	25	71	445
D207-350 D05	346	80	86	49,5	67,5	24	56	43,5	17,5	35	5 H9	32	30	40	64	1650
D207-350 D20	346	80	86	49,5	67,5	24	56	43,5	17,5	35	20	32	30	40	64	1640

It's possible to increase the hole, by boring, until **dm**.

ART. D601

TWO-SPOKE CONTROL HANDWHEEL WITH REVOLVING FOLDING HANDLE AND LOCKING PISTON



ART. D601



This type of product is an evolution of our traditional handwheel D207-350. By simply adding a special assembly kit this product can be adapted for use in a special market sector: that of compact shelving (sliding storage systems on rails). This handgrip is suitable for handling shelving on rails. A locking device or piston is used to lock, stop, position the shelving units in specific positions.

Art.	D	H	Ht	h	d	M	C	h2	h3	d2	d3	Q	dm	dl	L	Weight (gr)
D601-350	346	80	86	49,5	67,5	24	56	43,5	17,5	49	35	32	30	40	64	1800

Art.	l	dv	hv	h1	dp	hp	DA	HA	DB	F
D601-350	55	26	21	8	10	10	131	20	76	38

d1 = On request.

It's possible to increase the hole, by boring, until dm.

ART. D602

TWO-SPOKE CONTROL HANDWHEEL WITH REVOLVING FOLDING HANDLE AND LOCKING PISTON

MATERIAL:

Reinforced and stabilised polyamide.
Oils and greases resistant.

SURFACE:

Satin.

COMPLETE HANDWHEEL COLOUR:

Black (RAL 9011).

CENTRAL CAP:

Grey polyamide (RAL 7035 code 13).

ALTERNATIVE CAP COLOUR:

Orange (RAL 2004 code 02).

Blue (RAL 5015 code 07).

Yellow (RAL 1021 code 10).

Red (RAL 3000 code 16).

Green (RAL 6024 code 17).

Black (RAL 9011 code 01).

LOCKING PISTON KIT:

(1) PA6+GF hole cover ring. Black (RAL 9011). Push-fit assembly. Removable.

(2) PA6+GF piston holder. Black (RAL 9011). Assembly by means of two self-tapping, galvanised steel screws, screwdriver head 3.5x30.

(3) PA6+GF gear stick d. 26 with M4 brass female threaded insert and positioning brackets. Black (RAL 9011).

(5) PA6+GF gear stick support with positioner. Black (RAL 9011).

(6) Galvanised steel return spring.

(7) Galvanised steel washer.

(8) Galvanised steel locking piston. Seat for Allen wrench no. 5 for fastening. Piston stroke 10 mm. Useful projection from handwheel 8 mm.

INSERTS:

(1) Customised galvanised steel through-hole insert.

(4) Black-oxide treated hexagon socket button head screw ISO 7838 for fastening handle.

(9) (art. D602) Black-oxide treated steel insert with hexagonal threaded through-hole.

SIDE HANDLE:

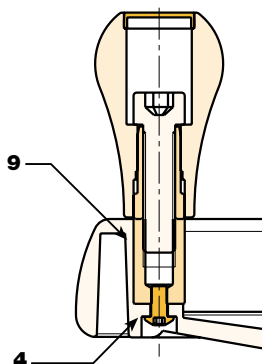
(art. D601) Flush, foldaway revolving handle, with hexagonal connection. Made from reinforced polyamide (shape same as art. M202). Black-oxide treated internal mechanism. Fixing by means of black-oxide treated hexagon socket button head screw ISO 7838. Grey polyamide push fit cap (RAL 7035 code 13).

(art. D602) Revolving handle Art. M202 (see Chapter M on page 18).

For fixing systems, or execution of tabs or square holes, please refer to the technical notes attached to the catalogue.

SPECIAL REQUESTS:

- It is possible to supply the inserts in different materials, on request and for quantities.
- It is possible to supply the inserts with different treatment-finishes, on request and for quantities.



Locking piston kit



ART. D602

Art.	D	H	Ht	h	d	M	C	h2	h3	d2	d3	Q	dm	dl	L	Weight (gr)
D602-350	346	80	86	49,5	67,5	24	56	43,5	17,5	49	35	32	30	40	64	1800

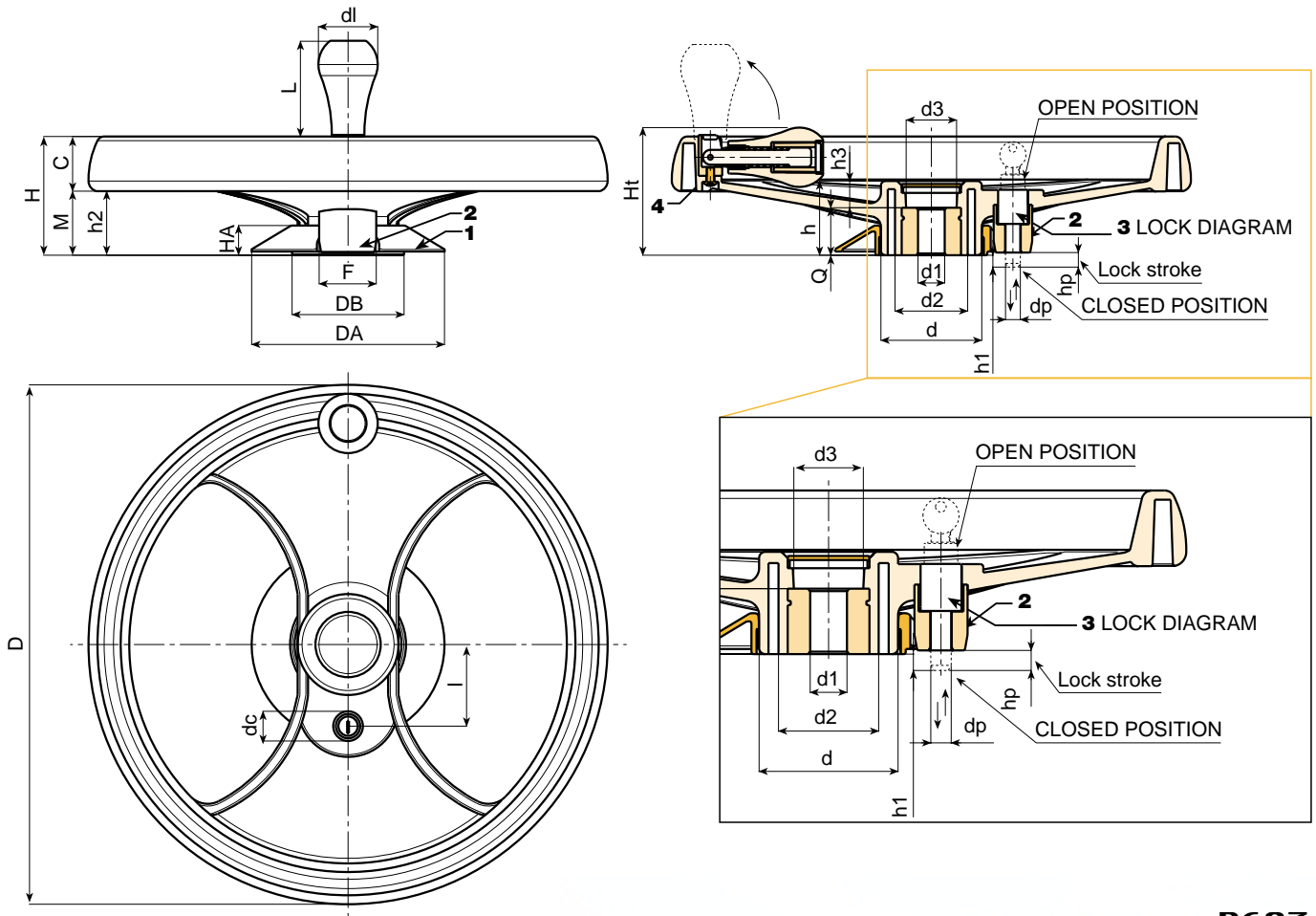
Art.	l	dv	hv	h1	dp	hp	DA	HA	DB	F
D602-350	55	26	21	8	10	10	131	20	76	38

d1 = On request.

It's possible to increase the hole, by boring, until dm.

ART. D603

TWO-SPOKE CONTROL HANDWHEEL WITH REVOLVING FOLDING HANDLE AND LOCK



ART. D603



This type of product is an evolution of our traditional handwheel D207-350. By simply adding a special assembly kit this product can be adapted for use in a special market sector: that of compact shelving (sliding storage systems on rails). This handgrip is suitable for handling shelving on rails. A locking device or piston is used to lock, stop, position the shelving units in specific positions.

Art.	D	H	Ht	h	d	M	C	h2	h3	d2	d3	Q	dm	dl	L	Weight (gr)
D603-350	346	80	86	49,5	67,5	24	56	43,5	17,5	49	35	32	30	40	64	1800

Art.	l	dc	h1	dp	hp	DA	HA	DB	F
D603-350	55	20	8	10	10	131	20	76	38

d1 = On request.

It's possible to increase the hole, by boring, until dm.

ART. D604

TWO-SPOKE CONTROL HANDWHEEL WITH REVOLVING HANDLE AND LOCK

MATERIAL:

Reinforced and stabilised polyamide.
Oils and greases resistant.

SURFACE:

Satin.

COMPLETE HANDWHEEL COLOUR:

Black (RAL 9011).

CENTRAL CAP:

Grey polyamide (RAL 7035 code 13).

ALTERNATIVE CAP COLOUR:

Orange (RAL 2004 code 02).

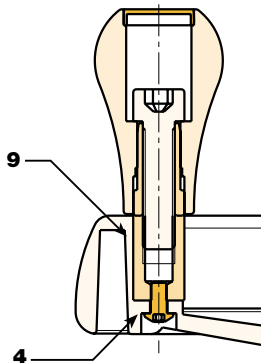
Blue (RAL 5015 code 07).

Yellow (RAL 1021 code 10).

Red (RAL 3000 code 16).

Green (RAL 6024 code 17).

Black (RAL 9011 code 01).



CLAMPING LOCK KIT:

- (1) PA6+GF hole cover ring. Black (RAL 9011). Push-fit assembly. Removable.
- (2) PA6+GF piston holder. Black (RAL 9011). Assembly by means of two self-tapping, galvanised steel screws, screwdriver head 3.5x30.
- (3) Nickel plated lock. Two numbered keys provided. Key can be removed from either position. To close handwheel push and turn the key 90°. Lock stroke 10 mm. Useful projection of pin from handwheel 8 mm. Keys supplied secured to the handwheel rim.

INSERTS:

- (1) Customised galvanised steel through-hole insert.
- (4) Black-oxide treated hexagon socket button head screw ISO 7838 for fastening handle.
- (9) (art. D604) Black-oxide treated steel insert with hexagonal threaded through-hole.

SIDE HANDLE:

- (art. D603) Flush, foldaway revolving handle, with hexagonal connection. Made from reinforced polyamide (shape same as art. M202). Black-oxide treated internal mechanism. Fixing by means of black-oxide treated hexagon socket button head screw ISO 7838. Grey polyamide push fit cap (RAL 7035 code 13).

(art. D604) Revolving handle Art. M202 (see Chapter M on page 18).

For fixing systems, or execution of tabs or square holes, please refer to the technical notes attached to the catalogue.

SPECIAL REQUESTS:

- It is possible to supply the inserts in different materials, on request and for quantities.
- It is possible to supply the inserts with different treatment-finishes, on request and for quantities.



Clamping lock kit



ART. D604

Art.	D	H	Ht	h	d	M	C	h2	h3	d2	d3	Q	dm	dl	L	Weight (gr)
D604-350	346	80	86	49,5	67,5	24	56	43,5	17,5	49	35	32	30	40	64	1800

Art.	l	dc	h1	dp	hp	DA	HA	DB	F
D604-350	55	20	8	10	10	131	20	76	38

d1 = On request.

It's possible to increase the hole, by boring, until dm.

ART. D454

“EUROMODEL” FOUR ARM CONTROL HANDWHEEL

**PROTECTED
MODEL**

MATERIAL:

Special high resistance glass fiber reinforced technopolymer.
Oils and greases resistant.

SURFACE:

Satin.

HANDWHEEL COLOUR:

Black (RAL 9011).

CENTRAL CAP:

Grey polyamide (RAL 7035 code 13).

ALTERNATIVE CAP COLOUR:

Orange (RAL 2004 code 02).

Blue (RAL 5015 code 07).

Yellow (RAL 1021 code 10).

Red (RAL 3000 code 16).

Green (RAL 6024 code 17).

Black (RAL 9011 code 01).

MAIN INSERT:

Zinc plated steel right through bored bush with H7 tolerance.

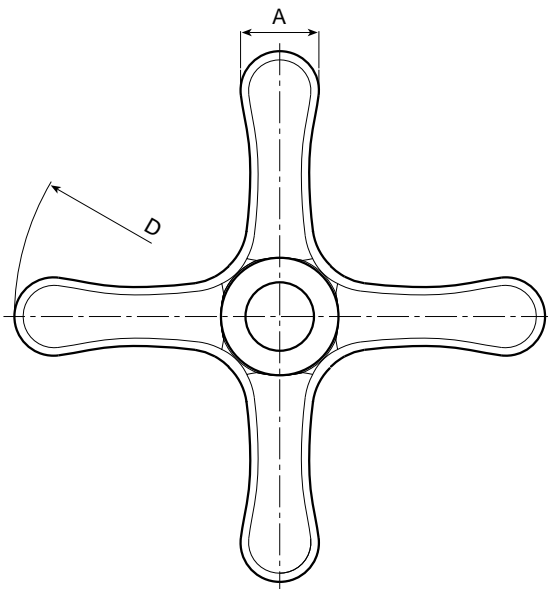
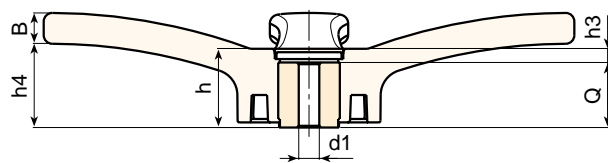
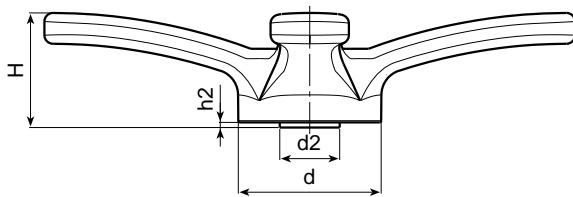
Hub:

Hollow underneath hub.

For fixing systems, or execution of tabs or square holes, please refer to the technical notes attached to the catalogue.

SPECIAL REQUESTS:

- It is possible to supply the inserts with d1 diameter by customer design, on request and for quantities.
- It is possible to supply the inserts with threaded d1 diameter, on request and for quantities.
- It is possible to supply the inserts in different materials, on request and for quantities.
- It is possible to supply the inserts with different treatment-finishes, on request and for quantities.



Art.	D	H	h	d	d2	A	B	h2	h3	h4	d3	d1 H7	Q	dm	Weight (gr)
D454-310 D05	308	66	45,5	83	35,5	45,5	20	3	7,5	46	34	5 H9	38	26	900
D454-310 D18	308	66	45,5	83	35,5	45,5	20	3	7,5	46	34	18	38	26	890

It's possible to increase the hole, by boring, until **dm**.

The range will shortly be extended with additional diameters.

ART. D214

THREE ARM CONTROL HANDWHEEL WITH SMOOTH OR THREADED HOLE

MATERIAL:

Reinforced polyamide.
Oils and greases resistant.

SURFACE:

Satin.

HANDWHEEL COLOUR:

Black (RAL 9011).

CENTRAL CAP:

Grey polyamide (RAL 7035 code 13).

ALTERNATIVE CAP COLOUR:

Orange (RAL 2004 code 02).

Blue (RAL 5015 code 07).

Yellow (RAL 1021 code 10).

Red (RAL 3000 code 16).

Green (RAL 6024 code 17).

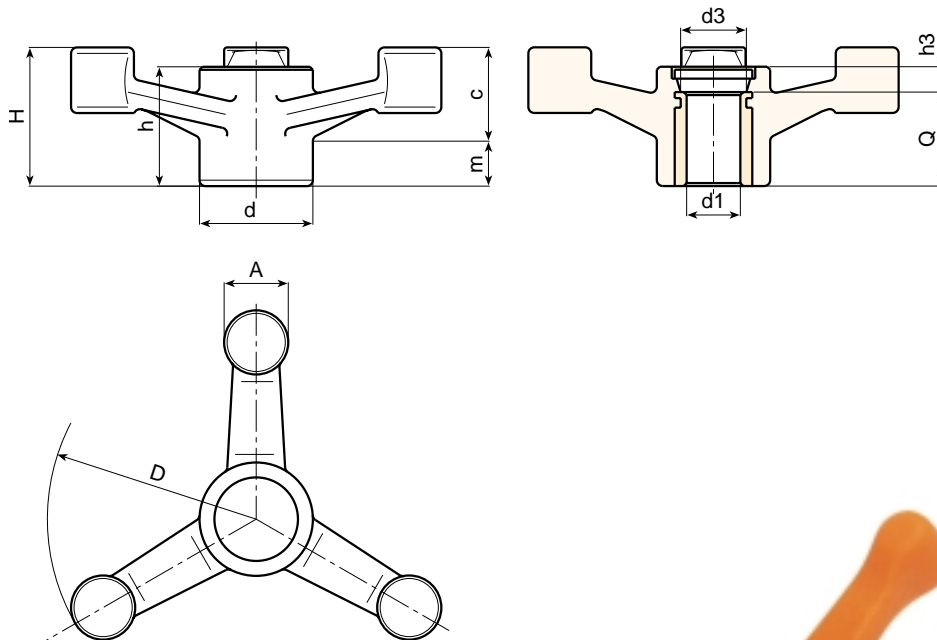
Black (RAL 9011 code 01).

MAIN INSERT:

TD Version: Zinc plated steel right through bored bush with H7 tolerance.

TM Version: Zinc plated steel right through threaded bush.

For fixing systems, or execution of tabs or square holes, please refer to the technical notes attached to the catalogue.



SPECIAL REQUESTS:

- It is possible to supply the inserts with d1 diameter by customer design, on request and for quantities.
- It is possible to supply the inserts with threaded d1 diameter, on request and for quantities.
- It is possible to supply the inserts in different materials, on request and for quantities.
- It is possible to supply the inserts with different treatment-finishes, on request and for quantities.
- It is possible to supply the complete handwheel in orange (RAL 2004 cod. 02), on request and for quantities.

TD Version with smooth through hole.

Art.	D	H	h	d	m	c	A	h3	d3	d1 H7	Q	dm	Weight (gr)
D214-140 TD05	137	45	39,5	38	19	26	22	7,5	26	5 H9	32	22	200
D214-140 TD12	137	45	39,5	38	19	26	22	7,5	26	12	32	22	195
D214-180 TD05	177	56	42,5	38	20	35	23	10,5	26	5 H9	32	22	280
D214-180 TD18	177	56	42,5	38	20	35	23	10,5	26	18	32	22	270
D214-220 TD05	221	61	46	38	22	39	25	14	26	5 H9	32	22	340
D214-220 TD18	221	61	46	38	22	39	25	14	26	18	32	22	330

It's possible to increase the hole, by boring, until **dm**.

TM Version with threaded through hole.

Art.	D	H	h	d	m	c	A	h3	d3	d1	Q	dm	Weight (gr)
D214-140 TM12	137	45	39,5	38	19	26	22	7,5	26	M12	32	22	197
D214-140 TM14	137	45	39,5	38	19	26	22	7,5	26	M14	32	22	195
D214-140 TM16	137	45	39,5	38	19	26	22	7,5	26	M16	32	22	193
D214-180 TM16	177	56	42,5	38	20	35	23	10,5	26	M16	32	22	275
D214-180 TM18	177	56	42,5	38	20	35	23	10,5	26	M18	32	22	270
D214-220 TM14	221	61	46	38	22	39	25	14	26	M14	32	22	335
D214-220 TM16	221	61	46	38	22	39	25	14	26	M16	32	22	333
D214-220 TM18	221	61	46	38	22	39	25	14	26	M18	32	22	330

ART. D779

LIGHTWEIGHT CONTROL HANDWHEEL WITH HANDLE

MATERIAL:

Reinforced polyamide.
Oils and greases resistant.

SURFACE:

Satin.

HANDWHEEL AND HANDLE COLOUR:

Black (RAL 9011).

MAIN INSERT:

Zinc plated steel right through bored bush with H7 tolerance.

SIDE INSERT:

Brass right through threaded bush.

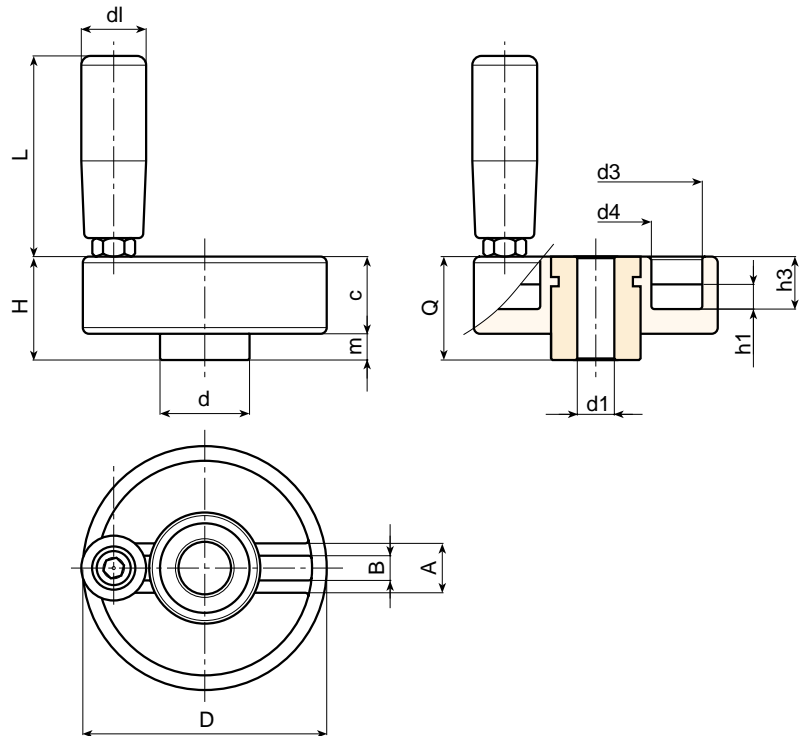
SIDE HANDLE:

Revolving handle Art. M144
(see chapter M on page 6).

For fixing systems, or execution of tabs or square holes, please refer to the technical notes attached to the catalogue.

SPECIAL REQUESTS:

- It is possible to supply the inserts with d1 diameter by customer design, on request and for quantities.
- It is possible to supply the inserts in different materials, on request and for quantities.
- It is possible to supply the inserts with different treatment-finishes, on request and for quantities.
- It is possible to supply the complete handwheels with colours as shown in the table at page 19, on request and for quantities.



Art.	D	H	d	c	m	h1	h3	A	B	d3	d4	d1 H7	Q	dm	dl	L	Weight (gr)
D779-80 D05	80	34	29	25	9	8	17	16	7,5	69	36	5 H9	34	20	21	65	285
D779-80 D12	80	34	29	25	9	8	17	16	7,5	69	36	12	34	20	21	65	280

It's possible to increase the hole, by boring, until dm.

ART. D782

LIGHTWEIGHT CONTROL HANDWHEEL

MATERIAL:

Reinforced polyamide.
Oils and greases resistant.

SURFACE:

Satin.

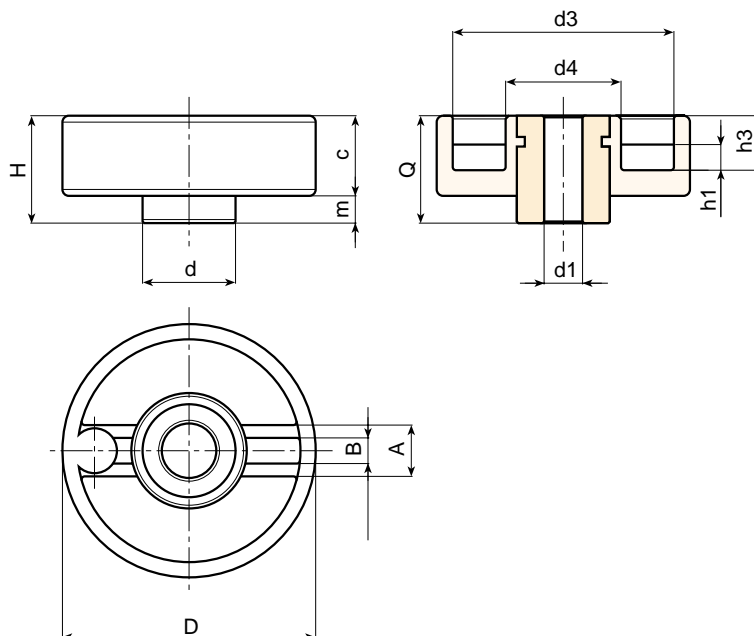
HANDWHEEL COLOUR:

Black (RAL 9011).

MAIN INSERT:

Zinc plated steel right through
bored bush with H7 tolerance.

For fixing systems, or execution of tabs
or square holes, please refer to the technical
notes attached to the catalogue.



SPECIAL REQUESTS:

- It is possible to supply the inserts with d1 diameter by customer design, on request and for quantities.
- It is possible to supply the inserts in different materials, on request and for quantities.
- It is possible to supply the inserts with different treatment-finishes, on request and for quantities.
- It is possible to supply the complete handwheels with colours as shown in the table at page 19, on request and for quantities.



Art.	D	H	d	c	m	h1	h3	A	B	d3	d4	d1 H7	Q	dm	Weight (gr)
D782-80 D05	80	34	29	25	9	8	17	16	7,5	69	36	5 H9	34	20	230
D782-80 D12	80	34	29	25	9	8	17	16	7,5	69	36	12	34	20	227

It's possible to increase the hole, by boring, until dm.

ART. D161

TAPERED HANDWHEEL WITH SMOOTH OR THREADED HOLE

MATERIAL:

Reinforced polyamide.
Oils and greases resistant.

SURFACE:

Satin.

HANDWHEEL COLOUR:

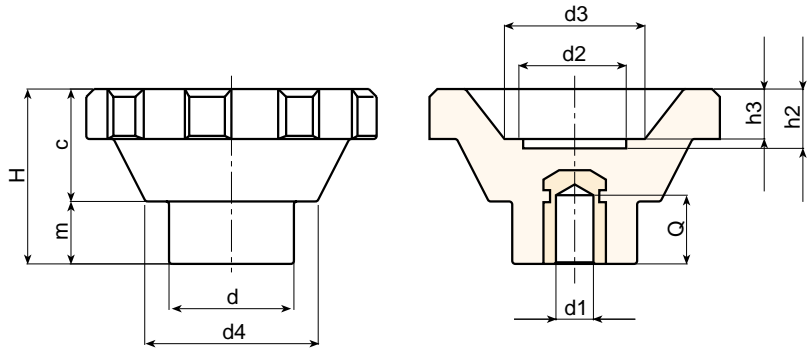
Black (RAL 9011).

MAIN INSERT:

TD Version: Zinc plated steel blind bored bush with H7 tolerance.

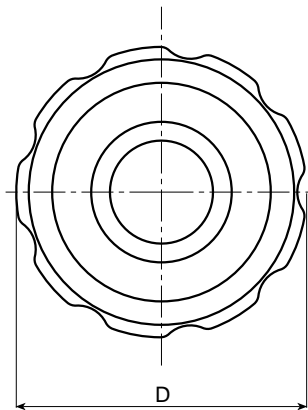
TM Version: Zinc plated steel blind threaded bush.

For fixing systems, or execution of tabs or square holes, please refer to the technical notes attached to the catalogue.



SPECIAL REQUESTS:

- It is possible to supply the inserts with d1 diameter by customer design, on request and for quantities.
- It is possible to supply the inserts in different materials, on request and for quantities.
- It is possible to supply the inserts with different treatment-finishes, on request and for quantities.



TD Version with smooth blind hole.

Art.	D	H	d	c	m	d2	d3	d4	h2	h3	d1 H7	Q	dm	Weight (gr)
D161-95 TD05	93	56,5	40	36,5	20	32	45	55,5	20	17	5 H9	27	22	340
D161-95 TD16	93	56,5	40	36,5	20	32	45	55,5	20	17	16	25	22	335

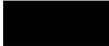


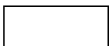









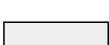


TM Version with threaded blind hole.

Art.	D	H	d	c	m	d2	d3	d4	h2	h3	d1	Q	Weight (gr)
D161-95 TM12	93	56,5	40	36,5	20	32	45	55,5	20	17	M12	25	338










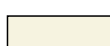


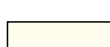

It's possible to increase the hole, by boring, until **dm**.

COLOUR CHART

R A L

COLOUR		RAL	CODE
Black		9011	01
Orange		2004	02
Orange		2011	03
White		9010	04
Blue		5002	05
Blue		5005	06
Blue		5015	07
Blue		5018	19
Blue		5019	21
Blue		5010	22
Yellow		1007	09
Yellow		1021	10
Grey		7024	12
Grey		7035	13
Red		3000	16
Green		6024	17

O T H E R C O L O U R S

COLOUR		REF.	CODE
White		-	52
Blue		-	53
Blue		pant. 645 U	54
Blue		pant. 300	55
Grey		-	57
Grey		-	59
Grey		NCS 7500	60
Red		-	64
Red		-	65
Natural		-	66
Green		-	70
Brown		-	71
Cream		-	72
Violet		-	73

VL series

Caratteristiche

Materiale Corpo:

Phenoplasto rinforzato di colore Nero, resistente a solventi, oli, grassi ed altri agenti chimici

Parte Metallica e/o

Fissaggio:

Mozzo in AVP zincato con pre-foro

Product specification

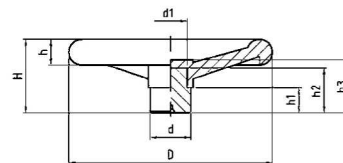
Main Part Material:

Black Phenoplast, solvents, oils, greases and other chemical agents proof

Metallic Part Material &

Finishing:

Zinc Plated Steel Hub with Pre-drilled Hole



Volantino a 4 Razze Handwheel, 4-Spokes

Codice	D	d	d1	H	h	h1	h2	h3	Peso grammi Weight gr	Confezione Pz Packing Pcs.
B1VL100	100	24	21	47	15	17	36	39	189	1
B1VL120	120	25	21	49	16	15	35	38	219	1
B1VL140	140	28	23	54	20	17	38	41	331	1
B1VL160	160	32	27	56	22	21	40	43	450	1
B1VL200	200	40	32	72	25	25	47	51	773	1
B1VL250	250	50	42	82	29	29	56	60	1505	1
B1VL300	300	52	42	95	35	30	63	68	2120	1

VLA series

Caratteristiche

Materiale Corpo:

Phenoplasto rinforzato di colore Nero, resistente a solventi, oli, grassi ed altri agenti chimici

Parte Metallica e/o

Fissaggio:

Mozzo in AVP zincato con pre-foro per esecuz.foro passante

Product specification

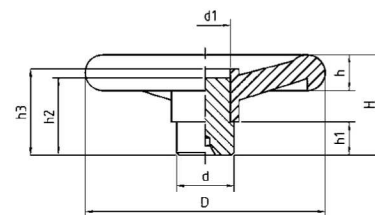
Main Part Material:

Black Phenoplast, solvents, oils, greases and other chemical agents proof

Metallic Part Material &

Finishing:

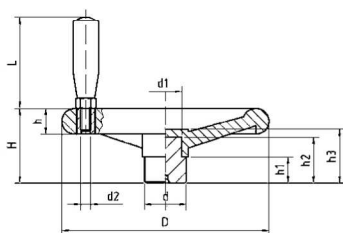
Zinc plated Steel Visible Hub, with preformed Punching



Volantino a 4 Razze e con Mozzo Affiorante Handwheel, 4-Spokes, Visible Hub

Codice	D	d	d1	H	h	h1	h2	h3	Peso grammi Weight gr	Confezione Pz Packing Pcs.
B1VLA100	100	24	21	47	15	17	36	39	207	1
B1VLA120	120	25	21	49	16	15	35	38	231	1
B1VLA140	140	28	23	54	20	17	38	41	345	1
B1VLA160	160	32	27	56	22	21	40	43	473	1
B1VLA200	200	40	32	72	25	25	47	51	815	1
B1VLA250	250	50	42	82	29	29	56	60	1559	1
B1VLA300	300	52	42	95	35	30	63	68	2173	1

Volantino a 4 Razze con Maniglia girevole Handwheel, 4-Spokes Revolving Grip



VLG series

Caratteristiche

Materiale Corpo:

Phenoplasto rinforzato di colore Nero, resistente a solventi, oli, grassi ed altri agenti chimici

Parte Metallica e/o

Fissaggio:

Mozzo in AVP zincato con pre-foro

Product specification

Main Part Material:

Black Phenoplast, solvents, oils, greases and other chemical agents proof

Metallic Part Material &

Finishing:

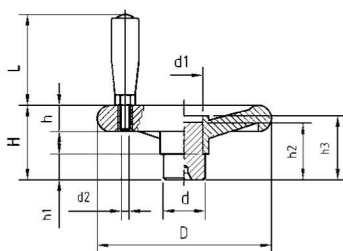
Zinc Plated Steel Hub with Predrilled Hole

Other plastic components:

Revolving Handle, with Brass Bushings

Codice	D	d	d1	d2	H	h	h1	h2	h3	L	Peso grammi Weight gr	Confezione Pz Packing Pcs.
B1VLG100	100	24	21	06MA	47	15	17	36	39	51	222	1
B1VLG120	120	25	21	08MA	49	16	15	35	38	70	274	1
B1VLG140	140	28	23	08MA	54	20	17	38	41	70	391	1
B1VLG160	160	32	27	10MA	56	22	21	40	43	85	558	1
B1VLG200	200	40	32	10MA	72	25	25	47	51	85	903	1
B1VLG250	250	50	42	12MA	82	29	29	56	60	98	1677	1
B1VLG300	300	52	42	12MA	95	35	30	63	68	98	2291	1

Volantino a 4 Razze con Mozzo Affiorante e Maniglia Girevole Handwheel, 4-Spokes Revolving Grip and Visible Hub



VLGA series

Caratteristiche

Materiale Corpo:

Phenoplasto rinforzato di colore Nero, resistente a solventi, oli, grassi ed altri agenti chimici

Parte Metallica e/o

Fissaggio:

Mozzo in AVP zincato con pre-foro per esecuz.foro passante

Product specification

Main Part Material:

Black Phenoplast, solvents, oils, greases and other chemical agents proof

Metallic Part Material &

Finishing:

Zinc plated Steel Visible Hub, with preformed Punching

Other plastic components:

Revolving Handle, with Brass Bushings

Codice	D	d	d1	d2	H	h	h1	h2	h3	L	Peso grammi Weight gr	Confezione Pz Packing Pcs.
B1VLGA100	100	24	21	06MA	47	15	15	36	39	51	240	1
B1VLGA120	120	25	21	08MA	49	16	16	35	38	70	286	1
B1VLGA140	140	28	23	08MA	54	20	20	38	41	70	405	1
B1VLGA160	160	32	27	10MA	56	22	22	40	43	85	581	1
B1VLGA200	200	40	32	10MA	72	25	25	47	51	85	945	1
B1VLGA250	250	50	42	12MA	82	29	29	56	60	98	1731	1
B1VLGA300	300	52	42	12MA	95	35	35	63	68	98	2344	1

VLT series

Caratteristiche

Materiale Corpo:

Phenoplasto rinforzato di colore Nero, resistente a solventi, oli, grassi ed altri agenti chimici

Parte Metallica e/o

Fissaggio:

Mozzo in AVP zincato con pre-foro

Product specification

Main Part Material:

Black Phenoplast, solvents, oils, greases and other chemical agents proof

Metallic Part Material &

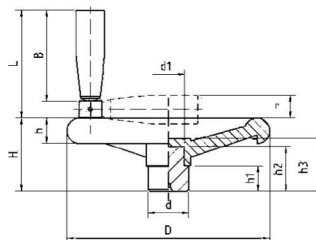
Finishing:

Zinc Plated Steel Hub with Pre-drilled Hole

Other plastic components:

Snap Handle, Collapsible

Volantino a 4 Razze con Maniglia a Scatto Ribaltabile Handwheel, 4-Spokes Snap Handle Collapsible



Codice	B	D	d	d1	H	h	h1	h2	h3	L	r	Peso grammi Weight gr	Confezione Pz Packing Pcs.
B1VLT100	46	100	24	21	47	15	17	36	39	60	17	225	1
B1VLT120	65	120	25	21	49	16	15	35	38	82	17	286	1
B1VLT140	65	140	28	23	54	20	17	38	41	82	17	403	1
B1VLT160	65	160	32	27	56	22	21	40	43	82	17	521	1
B1VLT200	86	200	40	32	72	25	25	47	51	107	21	957	1
B1VLT250	86	250	50	42	82	29	29	56	60	107	21	1669	1
B1VLT300	86	300	52	42	95	35	30	63	68	107	21	2283	1

VLTA series

Caratteristiche

Materiale Corpo:

Phenoplasto rinforzato di colore Nero, resistente a solventi, oli, grassi ed altri agenti chimici

Parte Metallica e/o

Fissaggio:

Mozzo in AVP zincato con pre-foro per esecuz. foro passante

Product specification

Main Part Material:

Black Phenoplast, solvents, oils, greases and other chemical agents proof

Metallic Part Material &

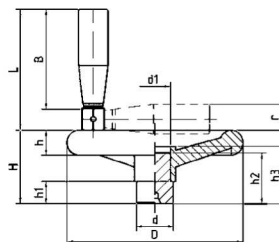
Finishing:

Zinc plated Steel Visible Hub, with preformed Punching

Other plastic components:

Snap Handle, Collapsible

Volantino a 4 Razze con Mozzo Affiorante e Maniglia a Scatto Ribaltabile Handwheel, 4-Spokes Snap Handle Collapsible and Visible Hub



Codice	B	D	d	d1	H	h	h1	h2	h3	L	r	Peso grammi Weight gr	Confezione Pz Packing Pcs.
B1VLTA100	46	100	24	21	47	15	17	36	39	60	17	242	1
B1VLTA120	65	120	25	21	49	16	15	35	38	82	17	298	1
B1VLTA140	65	140	28	23	54	20	17	38	41	82	17	417	1
B1VLTA160	65	160	32	27	56	22	21	40	43	82	17	543	1
B1VLTA200	86	200	40	32	72	25	25	47	51	107	21	1000	1
B1VLTA250	86	250	50	42	82	29	29	56	60	107	21	1680	1
B1VLTA300	86	300	52	42	95	35	30	63	68	107	21	2336	1