

INDEX

KB1/1~100

Metal Bellows Coupling
with Set Screws



Page 2

KB2/1~100

Metal Bellows Coupling
with Collet Clamps



Page 3

KB3/5~100

Metal Bellows Coupling
with Expanding Clamps



Page 4

KB4/18~500

Metal Bellows Coupling
with Collet Clamps



Page 5

KB5/18~5000

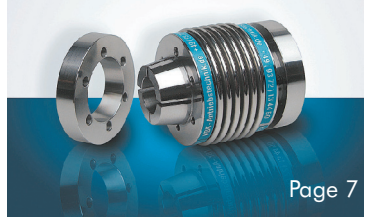
Metal Bellows Coupling
with Inner Conical Hub



Page 6

KB6/18~5000

Metal Bellows Coupling
with Outer Conical Hubs



Page 7

KB7/18~5000

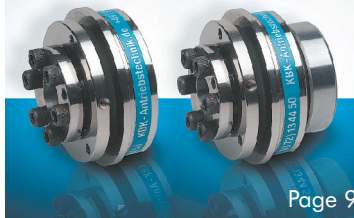
Metal Bellows Coupling
for Flange Mounting



Page 8

KBK/LI-10~1600

Safety Coupling
with Inner Conical Hub



Page 9

KBK/BK-7~500

Safety Coupling
with Collet Clamps



Page 10

KBK/BI-10~1600

Safety Coupling
with Inner Conical Hub



Page 11

KBK/EK-14~42

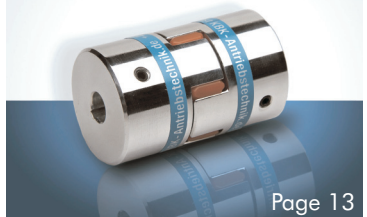
Safety Coupling
with Collet Clamps



Page 12

KBE1-7~65

Servo Insert Coupling
with Set Screw



Page 13

KBE2-7~48

Servo Insert Coupling
with Collet Clamps



Page 14

KBE3-14~65

Servo Insert coupling
with Outer Conical Hubs



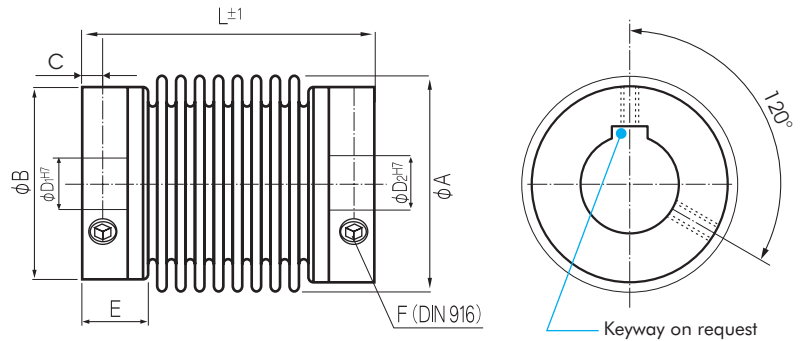
Page 16

Locking Devices

- Locking Devices
- Shrink Discs
- Locking Elements

Page 17

Metal Bellows Coupling



Order Code: KB 1 / 45 - 40 - 10 - 18 - S

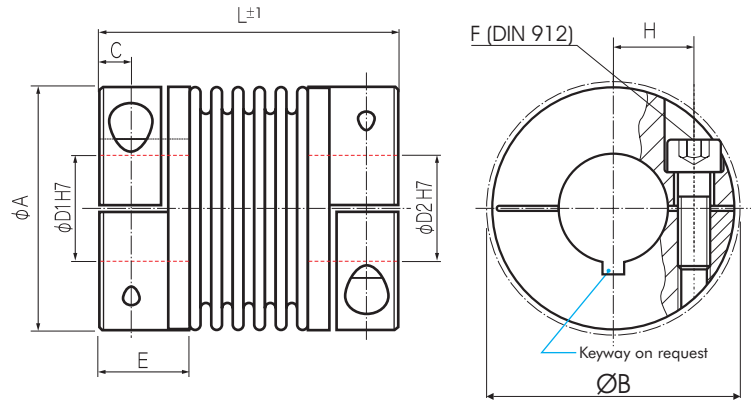
Type / Size Length L Ø D1 (H7) Ø D2 (H7) Options

	Torque T _{KN} (Nm)	Dimensions (mm)							Technical Ratings								
		L	Ø A	D1/D2	Ø B	C	E	F	Mass (g)	Moment of Inertia J (g cm ²)	Spring Stiffness			Misalignment			
		Length (±1)	Outer Ø	Bore Sizes (H7) min ~ max	Hub Ø	Hub-Length	Screw (DIN 916) T _A (Nm)	torsional C _T (Nm/rad)			radial C _R (N/mm)	axial C _A (N/mm)	radial ΔK _r (mm)	axial ΔK _a (mm)	angular ΔK _w (°)		
KB1/1	0.1	23	10	1-4 3*	10	2	6	M3	3	0.45	65	10	14	0.12	0.2	1.2	
KB1/5	0.5	19	15	3-8 6*	13.5	2	6	M3	4	1.3	260	43	13	0.1	0.2	1	
		23						4.5	1.5	200	18	10	0.15	0.3	1.5		
		27						0.5	5	1.6	160	9	8	0.2	0.4	2	
KB1/10	1	21	15	3-8 6*	13.5	2	6	M3	5.5	1.8	510	74	27	0.1	0.2	1	
		25						6	2	380	31	20	0.15	0.3	1.5		
		29						0.5	7	2.3	310	16	16	0.2	0.4	2	
KB1/15	1.5	26	19	3-12 6*	19	3	8	M4	10	6	750	59	15	0.1	0.3	1.5	
		30						1.5	12	7.4	700	20	9	0.15	0.4	2	
KB1/20	2	22	24	3-14 6/10*	21.5	3	6	M4	11	9.2	1500	67	12	0.15	0.3	1.5	
		28						13	12.6	1300	21	11	0.2	0.4	1.5		
		32						1.5	15	13.5	1050	11	9	0.25	0.5	2	
KB1/45	4.5	40	32	6-18 10*	29	4	12	M6	44	68	6500	168	32	0.1	0.3	1.5	
		48						3	50	79	4200	41	20	0.2	0.5	2	
KB1/100	10	45	40	6-24 10*	36	4	12	M6	60	150	8100	120	27	0.15	0.4	1.5	
		55						3	79	210	6800	29	17	0.3	0.6	2	

*Standard Bore Sizes (H7)

- ⊙ Speed: max. 15000 min⁻¹
- ⊙ Hub: Bore Tolerance: H7 Keyway acc. DIN 6885 optional
- ⊙ Material: Bellows - Stainless Steel
Hub - Aluminium (also available in Stainless Steel)
- ⊙ Temperature Range: -30° ~ 120° C

Metal Bellows Coupling



Order Code: KB 2 / 45 - 50 - 10 - 16 - S

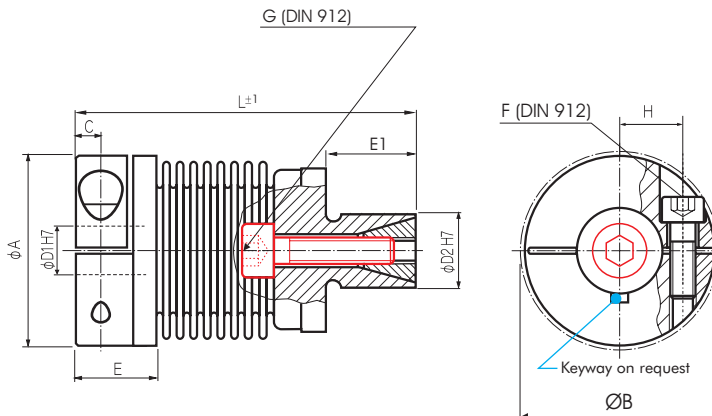
Type / Size Length L Ø D1 (H7) Ø D2 (H7) Options

	Torque T _{KN} (Nm)	Dimensions (mm)								Technical Ratings							
		L	Ø A	D1/D2	H	C	Ø B	E	F	Mass (g)	Moment of Inertia J (g cm ²)	Spring Stiffness			Misalignment		
		Length (±1)	Outer Ø	Bore Sizes (H7) min ~ max			Max. Ø	Hub- length	Screw (DIN 912) T _A (Nm)			torsional C _T (Nm/rad)	radial C _R (N/mm)	axial C _A (N/mm)	radial ΔK _r (mm)	axial ΔK _a (mm)	angular ΔK _w (°)
KB2/1	0.1	25	10	1-4 3*	3.4	2	11	7	M1.6 0.1	3	0.5	65	10	14	0.12	0.2	1.2
KB2/5	0.5	21	15.5	3-7 6*	5.2	2.5	17.5	8	M2	7.5	2.7	260	43	13	0.1	0.2	1
		0.43							7.8	2.8	200	18	10	0.15	0.3	1.5	
									8.2	3	160	9	8	0.2	0.4	2	
KB2/10	1	23	15.5	3-8 6*	5.2	2.5	17.5	8	M2	9	3.1	510	74	27	0.1	0.2	1
		0.43							9.3	3.4	380	31	20	0.15	0.3	1.5	
									10	3.7	310	16	16	0.2	0.4	2	
KB2/15	1.5	26	20	3-10 6*	7	3	21	9	M2.5	13	8	750	59	15	0.1	0.3	1.5
		0.85							15	9.3	700	20	9	0.15	0.4	2	
KB2/20	2	32	25	3-14 6/10*	9	3.5	27	11	M3	29	24	1500	67	12	0.15	0.3	1.5
		2							32	27	1300	21	11	0.2	0.4	1.5	
									33	29	1050	11	9	0.25	0.5	2	
KB2/45	4.5	41	32.5	6-16 10*	12	5	34	14	M4	61	100	6500	168	32	0.1	0.3	1.5
		3.5							67	112	4200	41	20	0.2	0.5	2	
KB2/100	10	48	40.5	6-22 10*	15.5	5	41.5	14	M4	86	233	8100	120	27	0.15	0.4	1.5
		4.5							106	290	6800	29	17	0.3	0.6	2	

*Standard Bore Sizes (H7)

- ⊙ Speed: max. 15000 min⁻¹
- ⊙ Hub: Bore Tolerance: H7 Keyway acc. DIN 6885 optional
- ⊙ Material: Bellows - Stainless Steel
Hub - Aluminium (also available in Stainless Steel)
- ⊙ Temperature Range: -30° ~ 120° C

Metal Bellows Coupling



Order Code: KB 3 / 45 - 52 - 10 - S

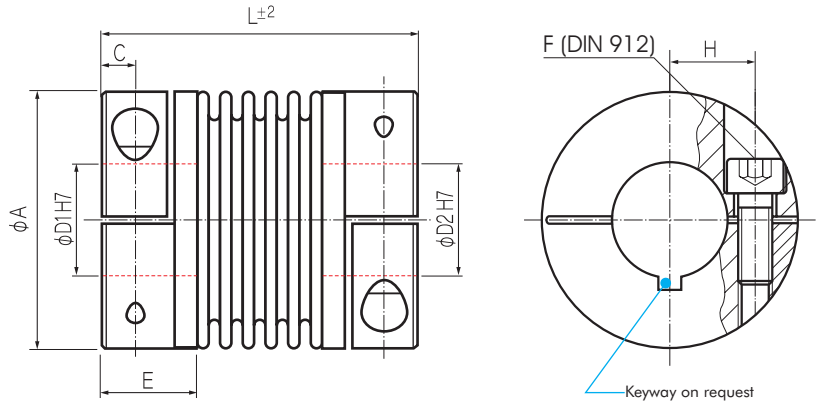
Type / Size Length L $\phi D1$ (H7) Options

	Torque T_{KN} (Nm)	Dimensions (mm)									Technical Ratings								
		L	ϕA	$D1$	$D2$	ϕB	H	C	E	E1	F/G	Mass (g)	Moment of Inertia J (g cm ²)	Spring Stiffness			Misalignment		
		Length (± 1)	Outer ϕ	Bore Sizes (H7) min ~ max	Bore Size (H7)	Max. ϕ					Screw (DIN 912) T_A (Nm)			torsional C_T (Nm/rad)	radial C_R (N/mm)	axial C_A (N/mm)	radial ΔK_r (mm)	axial ΔK_a (mm)	angular ΔK_w ($^\circ$)
KB3/5	0.5	28	15.5	3-7	8	17,5	5.2	2.5	8	8	M2/M3	12.8	2.9	260	43	13	0.1	0.2	1
		32		3*							0.3/1	13.2	3.1	200	18	10	0.15	0.3	1.5
		35										13.5	3.2	160	9	8	0.2	0.4	2
KB3/10	1	30	15.5	3-7	8	17,5	5.2	2.5	8	8	M2/M3	14.1	3.3	510	74	27	0.1	0.2	1
		34		6*							0.3/1	14.6	3.4	380	31	20	0.15	0.3	1.5
		38										15.3	3.6	310	16	16	0.2	0.4	2
KB3/15	1.5	37	20	3-10	10	21	7	3	9	12	M2.5/M4	27.2	11	750	59	15	0.1	0.3	1.5
		41		6*							0.8/3	29.3	12	700	20	9	0.15	0.4	2
KB3/20	2	40	25	3-12.7	10	27	9	3.5	11	12	M3/M4	40.1	25	1500	67	12	0.15	0.3	1.5
		46		6/10*							1/3	43.2	29	1300	21	11	0.2	0.4	1.5
		50										49.1	30	1050	11	9	0.25	0.5	2
KB3/45	4.5	52	32.5	6-16	14	34	12	5	14	16	M4/M5	86.5	98	6500	168	32	0.1	0.3	1.5
		60		10*							3/5.9	92.9	110	4200	41	20	0.2	0.5	2
KB3/100	10	61	40.5	6-22	16	41,5	15.5	5	14	20	M4/M6	135	235	8100	120	27	0.15	0.4	1.5
		71		10*							3/10	154	292	6800	29	17	0.3	0.6	2

*Standard Bore Sizes (H7)

- ⊙ Speed: max. 15000 min⁻¹
- ⊙ Hub: Bore Tolerance: H7 Keyway acc. DIN 6885 optional
- ⊙ Material: Bellows - Stainless Steel
Hub - Aluminium (also available in Stainless Steel)
- ⊙ Temperature Range: -30° ~ 120° C

Metal Bellows Coupling



Order Code: KB 4 / 60 - 89 - 12 - 32 - S

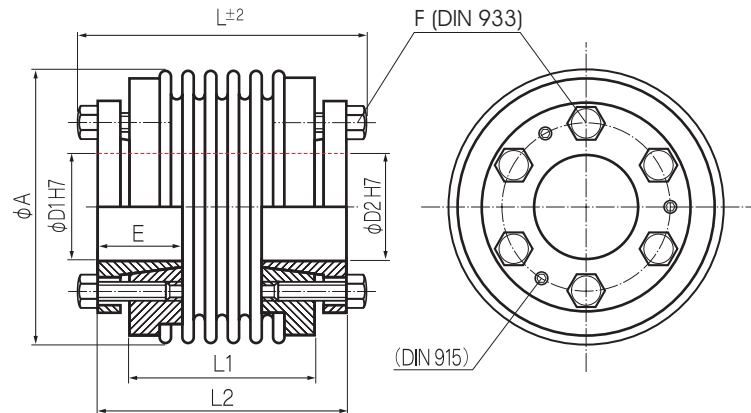
Type / Size Length Ø D1 (H7) Ø D2 (H7) Options

	Torque T _{KN} (Nm)	Dimensions (mm)							Technical Ratings								
		L	Ø A	D1/D2	H	C	E	F	Mass (kg)	Moment of Inertia J (kg m ²)	Spring Stiffness			Misalignment			max Speed rpm
		Length (±2)	Outer Ø	Bore Sizes (H7)				Screw (DIN 912) T _A (Nm)			torsional C _T (Nm/rad)	radial C _R (N/mm)	axial C _A (N/mm)	radial ΔKr (mm)	axial ΔKa (mm)	angular ΔKw (°)	
KB4/18	18	63	45	10-25.4	17	5.5	19.5	M5	0.1	0.04	20	205	50	0.2	0.5	1.5	12800
		71						8	0.15	0.05	15	82	36	0.25	0.5	2	12800
KB4/30	30	65	56	10-30	20	7.5	24.5	M6	0.3	0.15	38	720	50	0.15	0.6	1.5	10300
		73						15	0.32	0.16	28	225	28	0.25	1	2	10300
KB4/60	60	79	66	12-32	23	10	29	M8	0.5	0.33	75	1150	90	0.15	0.6	1.5	8700
		89						40	0.6	0.36	50	340	50	0.25	1	2	8700
KB4/80	80	91	82	14-42	28	11	33.5	M10	2.3	2	128	1200	80	0.2	0.5	1.5	6900
		102						72	2.4	2.1	75	400	50	0.25	0.8	2	6900
KB4/150	150	91	82	19-42	28	11	33.5	M10	2.3	2	155	2020	145	0.2	0.5	1.5	6900
		102						84	2.4	2.1	105	595	85	0.25	0.5	2	6900
KB4/200	200	101	90	22-45	31	13	38	M12	2.6	3.3	175	2500	145	0.2	0.5	1.5	6400
		113						125	2.7	3.5	120	460	82	0.25	0.8	2	6400
KB4/300	300	105	110	30-60	39	13	38	M12	3.6	7.3	502	6300	280	0.2	0.5	1.5	6000
		116						145	3.7	7.5	285	1400	145	0.25	0.8	2	6000
KB4/500	500	112	122	35-65	42	15	42	M12	5.1	12.4	690	7790	100	0.2	0.5	1.5	5000
		123						145	5.2	12.7	320	970	85	0.25	1	2	5000

Material: Bellows - Stainless Steel
 Hub (KB4/18, KB4/30, KB4/60) Aluminium (also available in Stainless Steel)
 Hub (KB4/80, KB4/150, KB4/200, KB4/300, KB4/500) Steel (also available in Stainless Steel)

Temperature Range: -30° ~ 120° C

Metal Bellows Coupling



Order Code: KB 5 / 60 - 73 - 20 - 25 - S

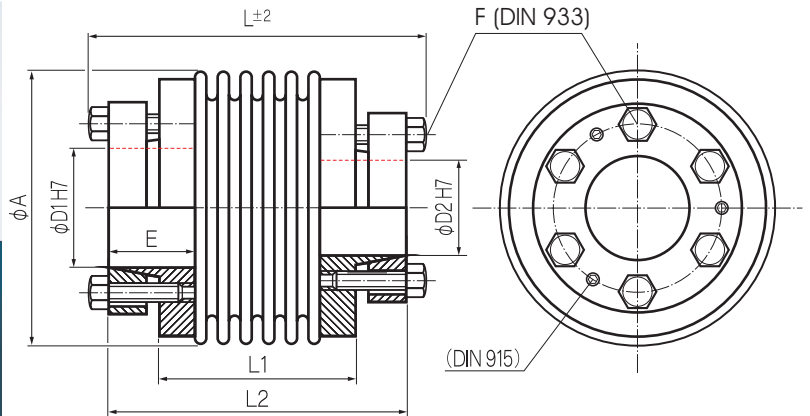
Type / Size Length Ø D1 (H7) Ø D2 (H7) Options

	Torque T _{KN} (Nm)	Dimensions (mm)							Technical Ratings							
		L	Ø A	D1/D2	E	L1	L2	F	Mass (kg)	Moment of Inertia J (kg m ²)	Spring Stiffness			Misalignment		
		Length (±2)	Outer Ø	Bore Size (H7)	Hub Length			Screw (DIN 933) T _A (Nm)			torsional C _T (Nm/rad)	radial C _R (N/mm)	axial C _A (N/mm)	radial ΔK _r (mm)	axial ΔK _a (mm)	angular ΔK _w (°)
KB5/18	18	63	47	10-18	20	38	56	4xM5	0.36	0.075	20	205	50	0.2	1	1.5
		71				46	64	4.5	0.37	0.078	15	82	36	0.25	1	2
KB5/30	30	53	56	12-20	20	30	46	6xM5	0.4	0.11	38	720	50	0.15	1	1.5
		61				38	54	4.5	0.42	0.12	28	225	25	0.25	1	2
KB5/60	60	62	66	15-25	25	36	54	6xM6	0.77	0.32	75	1150	90	0.15	1	1.5
		73				47	65	8.5	0.79	0.34	50	340	50	0.25	1	2
KB5/80	80	78	82	20-35	30	50	70	6xM6	1.34	1.05	128	1200	80	0.2	1	1.5
		90				62	82	10	1.39	1.11	75	400	50	0.25	1	2
KB5/150	150	78	82	20-35	30	50	70	6xM6	1.36	1.15	155	2020	145	0.2	1	1.5
		90				62	82	15	1.41	1.21	105	595	85	0.25	1	2
KB5/200	200	78	90	20-40	30	50	70	6xM6	1.59	1.39	175	2500	145	0.2	1	1.5
		91				63	83	15	1.66	1.49	120	460	82	0.25	1	2
KB5/300	300	90	110	25-50	37	56	80	6xM8	3.26	4.66	502	6300	280	0.2	1	1.5
		102				67	91	17	3.32	4.81	285	1400	145	0.25	1	2
KB5/500	500	101	122	35-55	40	66	90	6xM8	3.78	6.11	690	7790	100	0.2	1	1.5
		112				77	101	25	3.87	6.38	320	970	85	0.25	1	2
KB5/800	800	170	157	50-70	60	110	150	6xM16 45	9.05	24.05	760	500	185	0.2	1	1.8
KB5/1400	1400	170	157	50-70	60	110	150	6xM16 80	9.15	24.2	1270	700	275	0.2	1	1.8
KB5/3000	3000	170	157	55-75	60	110	150	6xM16 115	9.43	25.7	2810	2945	305	0.2	1	1.5
KB5/5000	5000	206	208	60-90	65	146	186	6xM16 210	19.9	96.7	4810	4915	505	0.2	1	1.5

Material: Bellows - Stainless Steel Hub - Steel (also available in Stainless Steel)

Temperature Range: -30° ~ 120° C

Metal Bellows Coupling



Order Code: KB 6 / 60 - 78 - 20 - 32 - S

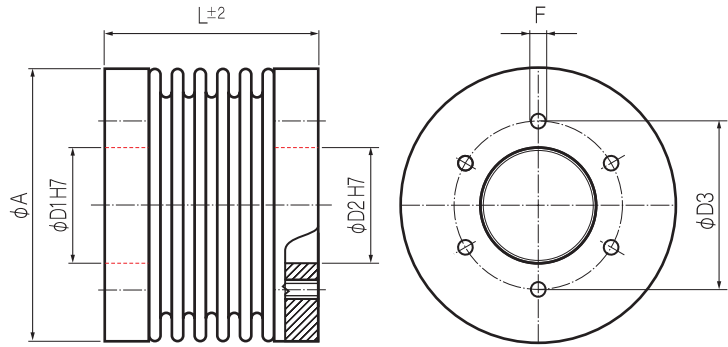
Type / Size Length Ø D1 (H7) Ø D2 (H7) Options

	Torque T_{KN} (Nm)	Dimensions (mm)							Technical Ratings								
		L	Ø A	D1/D2	E	L1	L2	F	Mass (kg)	Moment of Inertia J (kg m ²)	Spring Stiffness			Misalignment			
		Length (±2)	Outer Ø	Bore Size (H7)	Hub Length			Screw (DIN 933) T_A (Nm)			torsional C_T (Nm/rad)	radial C_R (N/mm)	axial C_A (N/mm)	radial ΔK_r (mm)	axial ΔK_a (mm)	angular ΔK_w (°)	
KB6/18	18	65	47	8-15	16.5	37	58	4x M5	0.3	0.081	20	205	50	0.2	0.5	1.5	
		73				45	66	5.9	0.31	0.084	15	82	36	0.25	0.5	2	
KB6/30	30	60	56	12-20	18	31	53	6x M5	0.37	0.13	38	720	50	0.15	0.6	1.5	
		68				39	61	5.9	0.39	0.14	28	225	25	0.25	1	2	
KB6/60	60	78	66	15-32	25	36	71	6x M5	0.76	0.46	75	1150	90	0.15	0.6	1.5	
		89				47	82	8.7	0.79	0.49	50	340	50	0.25	1	2	
KB6/80	80	95	82	20-35	31	50	87	6x M6	1.57	1.37	128	1200	80	0.2	0.5	1.5	
		107				62	99	15	1.62	1.43	75	400	50	0.25	1	2	
KB6/150	150	95	82	20-35	31	50	87	6x M6	1.59	1.39	155	2020	145	0.2	0.5	1.5	
		107				62	99	15	1.64	1.45	105	595	85	0.25	1	2	
KB6/200	200	95	90	20-42	31	50	87	6x M6	1.6	1.64	175	2500	145	0.2	0.5	1.5	
		108				63	100	15	1.67	1.74	120	460	82	0.25	1	2	
KB6/300	300	108	110	25-50	34	57	98	6x M8	2.83	4.52	502	6300	280	0.2	0.5	1.5	
		120				68	109	25	2.89	4.68	285	1400	145	0.25	1	2	
KB6/500	500	122	122	35-55	41	59	112	6x M8	3.89	7.04	690	7790	100	0.2	0.5	1.5	
		134				70	123	36	3.98	7.31	320	970	85	0.25	1	2	
KB6/800	800	184	157	50-70	50	108	169	6x M12 85	8.87	24.9	760	500	185	0.2	0.8	1.8	
KB6/1400	1400	184	157	50-70	50	108	169	6x M12 115	8.92	25.2	1270	700	275	0.2	0.8	1.8	
KB6/3000	3000	220	157	55-75	60	146	204	6x M12 125	10.9	30.9	2810	2945	305	0.2	0.8	1.5	
KB6/5000	5000	245	208	60-90	55	146	225	6x M16 210	27.7	144.4	4810	4915	505	0.2	0.8	1.5	

Material: Bellows - Stainless Steel Hub - Steel (also available in Stainless Steel)

Temperature Range: -30° ~ 120° C

Metal Bellows Coupling



Order Code: KB 7 / 60 - 41 - 38 - S

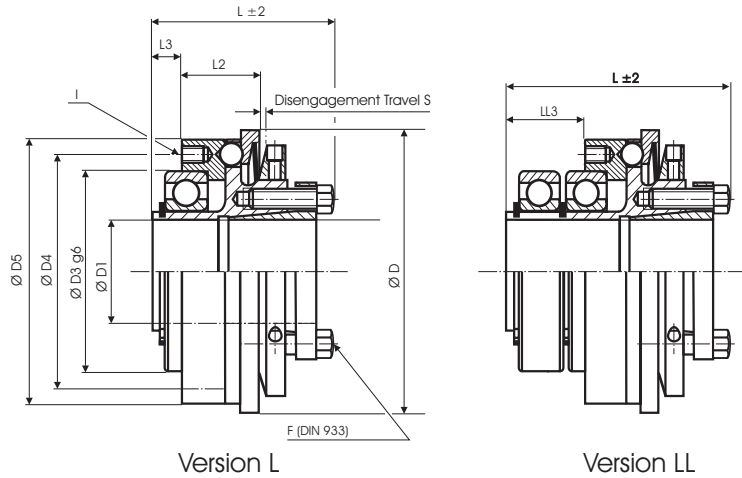
Type / Size Length ØD1/ØD2 Options

	Torque T_{KN} (Nm)	Dimensions (mm)					Technical Ratings								
		L	Ø A	Ø D1/D2	Ø D3	F	Mass (kg)	Moment of Inertia J (kg m ²)	Spring Stiffness			Misalignment			
		Length (±2)	Outer Ø	Bore Size (H7)		Thread			torsional C_T (Nm/rad)	radial C_R (N/mm)	axial C_A (N/mm)	radial ΔK_r (mm)	axial ΔK_a (mm)	angular ΔK_w (°)	
KB7/18	18	36	47	22	31	M5	0.128	0.042	20	205	50	0.2	0.5	1.5	
		44					0.137	0.045	15	82	36	0.25	0.5	2	
KB7/30	30	30	56	28	37	M5	0.174	0.083	38	720	50	0.15	0.6	1.5	
		38					0.192	0.093	28	225	25	0.25	1	2	
KB7/60	60	41	66	38	46	M6	0.27	0.193	75	1150	90	0.15	0.6	1.5	
		51					0.29	0.217	50	340	50	0.25	1	2	
KB7/80	80	50	82	50	62	M6	0.65	0.742	128	1200	80	0.2	0.5	1.5	
		62					0.69	0.805	75	400	50	0.25	1	2	
KB7/150	150	50	82	50	62	M6	0.66	0.75	155	2020	145	0.2	0.5	1.5	
		62					0.71	0.81	105	595	85	0.25	1	2	
KB7/200	200	50	90	50	62	M6	0.72	0.894	175	2500	145	0.2	0.5	1.5	
		63					0.78	0.989	120	460	82	0.25	1	2	
KB7/300	300	55	110	65	80	M8	1.18	2.431	502	6300	280	0.2	0.5	1.5	
		66					1.24	2.588	285	1400	145	0.25	1	2	
KB7/500	500	61	122	70	94	M8	1.94	4.808	690	7790	100	0.2	0.5	1.5	
		72					2.03	5.078	320	970	85	0.25	1	2	
KB7/800	800	131	157	85	110	M16	3.28	11.207	760	500	185	0.2	0.8	1.75	
KB7/1400	1400	131	157	85	110	M16	3.33	11.421	1270	700	275	0.2	0.8	1.75	
KB7/3000	3000	131	157	85	110	M16	3.37	11.651	2810	2945	305	0.2	0.8	1.5	
KB7/5000	5000	146	208	100	130	M16	11.46	65.517	4810	4915	505	0.2	0.8	1.5	

Material: Bellows - Stainless Steel Hub - Steel (also available in Stainless Steel)

Temperature Range: -30° ~ 120° C

Safety Coupling



Order Code: KBK/L - 60 - 20H7 - 20Nm - C oder D - 2

Type - Size

Bore D1 (H7)

Disengagement Torque

Overload Torque Range

Single Position = C

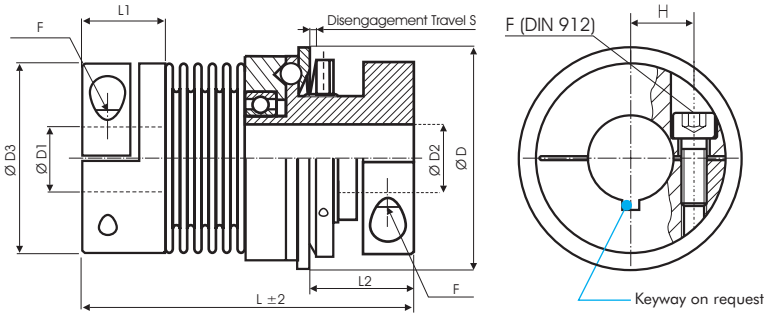
D = Multi Position Engagement

KBK/L-x KBK/LL-x	Dimensions (mm)											Technical Ratings				
	Ø D	Ø D1	Ø D3	Ø D4	Ø D5	L · LL	L2	L3 · LL3	S	I	F	Overload Torque adjustable		Maximum Speed rpm. (1/min)	Mass (kg)	Moment of Inertia J (kg cm ²)
	Outer	Bore Size (H7) min ~ max				Length KBK/L KBK/LL		KBK/L KBK/LL	6x	Screw (DIN 933) T _A (Nm)	1 TKN (Nm)	2 TKN (Nm)				
-10	49	6-16	37	42	47	36	15	5	0.7	M3	M3	2-5	5-10	12000	0.25	1
						46		15			4					
-30	64	8-20	47	53	60	43	18	6	1.2	M4	M5	5-15	10-30	9400	0.5	3
						60		20			6					
-60	79	12-25	62	69	75	58	25	8	1.2	M5	M6	13-35	20-65	7800	1	6
						75		26			8.5					
-80	94	15-35	68	80	90	60	26	10	2	M6	M6	15-40	30-80	6400	1.6	17
						76		27			14					
-150	94	15-35	68	80	90	60	26	10	2	M6	M6	50-130	65-150	5500	1.7	17
						76		27			14					
-200	109	20-40	80	90	105	66	30	10	2	M6	M6	30-90	80-200	5500	2.6	27
						85		28			14					
-300	119	30-46	90	102	115	75	32	10	2	M8	M8	60-200	100-300	5000	3.6	39
						95		31			20					
-500	129	35-50	100	112	125	75	32	10	2	M8	M8	80-250	200-500	4500	4.4	80
						95		31			26					
-800	169	40-60	110	125	165	110	50	15	2	M12	M16	260-600	500-900	3500	12	278
						133		38			45					
-1400	169	40-60	110	125	165	110	50	15	2	M12	M16	450-900	800-1400	3500	12	278
						113		38			80					
-1600	194	60-90	150	168	190	125	60	19	2	M12	M14	500-1000	900-1600	3000	16	325
						133		47			100					

Keyway acc. DIN 6885 optional

Temperature Range: -30° ~ 120° C

Safety Coupling



Order Code: KBK/BK - 60 - 105 - 16H7 - 14H7 - 20Nm - C or D - 1 - S

Type / Size Length Ø D2 (H7) Ø D2 (H7) Disengagement Torque Overload Torque Range Options

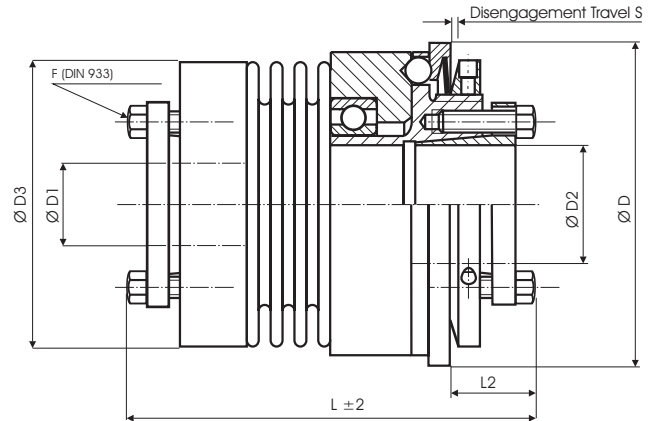
C = Single Position D = Multi Position Engagement

KBK/BK-x	Dimensions (mm)										Technical Ratings										
	Ø D	L	Ø D1	Ø D2	Ø D3	H	F	L1	L2	S	Maximum Speed rpm. (1/min)	Mass (kg)	Moment of Inertia J (kg cm ²)	Overload Torque adjustable		Spring Stiffness			Misalignment		
	Outer Ø	Length	Bore Size (H7) min max	Bore Size (H7) min max	Hub-diameter	Screw (DIN 912) T _A (Nm)								T _{KN} (Nm)	T _{KN} (Nm)	torsional x10 ³ C _T (Nm/rad)	radial C _R (N/mm)	axial C _A (N/mm)	radial ΔK _r (mm)	axial ΔK _a (mm)	angular ΔK _w (°)
-7	49	65	6	6	40	15.5	M4	16	20	0.7	11690	0.25	0.7	1	3	8.1	120	27	0.15	0.4	1.5
		75	25	19			5.1							4	7						
-10	49	65	6	6	40	15.5	M4	16	20	0.7	11690	0.25	0.7	3	5	8.1	120	27	0.15	0.4	1.5
		75	25	19			5.1							7	10						
-30	64	85	10	10	56	20	M6	25	30.5	1.2	9540	0.7	3.2	5	10	38	720	50	0.15	0.6	1.5
		94	25	20			15							15	30						
-60	79	105	14	14	66	23	M8	30	28	1.2	8180	1.4	8	12	20	75	1150	90	0.15	0.6	1.5
		115	35	25			36							35	60						
-80	94	113	20	20	82	33.5	M10	33	42	2	6220	2.3	19	15	30	128	1200	80	0.2	0.5	1.5
		125	40	35			72							40	80						
-150	94	113	20	20	82	33.5	M10	33	42	2	6220	2.4	30	50	65	155	2020	145	0.2	0.5	1.5
		125	40	35			72							130	150						
-200	109	125	25	25	90	38	M12	38	42	2	5720	3	33	30	80	175	2500	147	0.2	0.5	1.5
		138	42	32			125							90	200						
-300	119	140	32	32	110	38	M12	38	38	2	5200	5.3	65	60	100	502	6300	280	0.2	0.5	1.5
		150	50	40			125							200	300						
-500	129	158	40	35	122	42	M12	42	56	2	4470	6.2	130	80	200	690	7790	100	0.2	0.5	1.5
		170	60	50			125							250	500						

Material: Bellows - Stainless Steel
 Hub (KBK/BK7, KBK/BK10, KBK/BK30, KBK/BK60) Aluminium
 Hub (KBK/BK80, KBK/BK150, KBK/BK200, KBK/BK300, KBK/BK500) Steel

Temperature Range: -30° ~ 120° C

Safety Coupling



Order Code: KBK/BI - 60 - 100 - 15H7 - 18H7 - 20Nm - C oder D - 2

Type / Size

Length

Ø D2 (H7)

Ø D2 (H7)

Disengagement Torque

oder

Overload Torque Range

C = Single Position D = Multi Position Engagement

KBK/BI-x	Dimensions (mm)								Technical Ratings										
	ØD	L	ØD1	ØD2	ØD3	F	L2	S	Maximum speed	Mass	Moment of Inertia	Overload Torque adjustable		Spring Stiffness			Misalignment		
	Outer Ø	Length	Bore Size (H7) min~max	Bore Size (H7) min~max		Screw (DIN 933) TA (Nm)			rpm. (1/min)	(kg)	(kg cm ²)	1 T _{KN} (Nm)	2 T _{KN} (Nm)	torsional x10 ³ C _T (Nm/rad)	radial C _R (N/mm)	axial C _A (N/mm)	radial ΔK _r (mm)	axial ΔK _a (mm)	angular ΔK _w (°)
-10	49	68	6-14	6-14	40.5	M3	10	0.7	11650	0.25	0.7	3-7	5-10	8.1	120	27	0.15	0.4	1.5
		78				6.8								29	17	0.3	0.6	2	
-30	64	85	10-20	10-20	56	M5	12	1.2	9540	0.7	3.2	5-15	10-30	38	720	50	0.15	0.6	1.5
		94				28								225	28	0.25	1	2	
-60	79	100	15-25	15-25	66	M6	13	1.2	8180	1.4	8	12-35	20-60	75	1150	90	0.15	0.6	1.5
		110				50								340	50	0.25	1	2	
-80	94	115	20-35	20-35	82	M6	15	2	6220	2.3	19	15-40	30-80	128	1200	80	0.2	0.5	1.5
		128				75								400	50	0.25	0.8	2	
-150	94	115	20-35	20-35	82	M6	15	2	6220	2.4	20	50-130	65-150	155	2020	145	0.2	0.5	1.5
		128				105								595	85	0.25	0.8	2	
-200	109	125	20-40	20-40	90	M6	15	2	5720	3	33	30-90	80-200	175	2500	147	0.2	0.5	1.5
		135				116								460	82	0.25	0.8	2	
-300	119	135	30-50	30-46	110	M8	19	2	5200	5.3	65	60-200	100-300	502	6300	280	0.2	0.5	1.5
		145				285								1400	145	0.25	0.8	2	
-500	129	150	35-55	35-50	122	M8	18.5	2	4470	7	170	80-250	200-500	690	7790	100	0.2	0.5	1.5
		162				320								970	85	0.25	1	2	
-800	169	235	40-70	40-60	157	M16	30	2	3350	19	540	240-600	500-800	700	500	185	0.2	0.8	1.8
						45													
-1400	169	235	40-70	40-60	157	M16	30	2	3350	20	560	360-1000	900-1400	1270	700	275	0.2	0.8	1.8
						80													
-1600	194	250	60-90	70-90	157	M12	32	2	3000	22	600	360-1000	900-1600	2810	2945	305	0.2	0.8	1.5
						90													

Material: Bellows: Stainless Steel

Hub: Steel (also available in Stainless Steel)

Keyway acc. DIN 6885 optional

Temperature Range: -30°C ~ 120°C