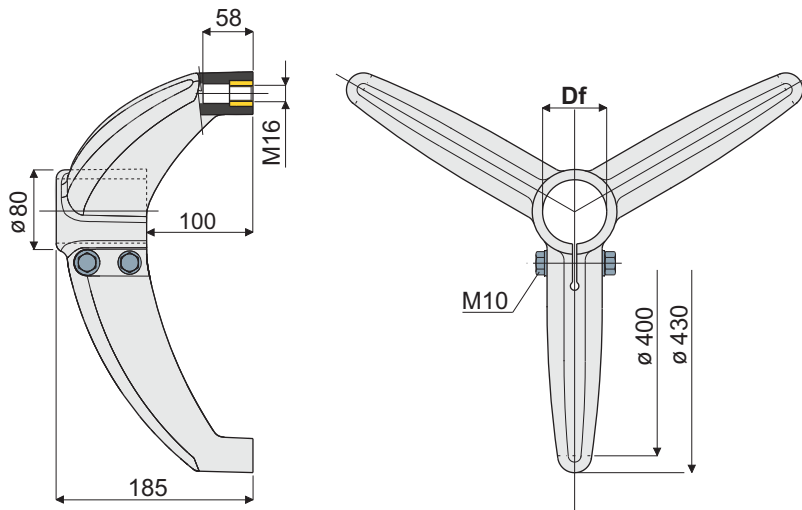


# Support base (tripod)

Part. **200**



Df Bore for tubes of		Zinc plated bolts and nuts	Stainless steel AISI 304 bolts and nuts	Tube unthreading load	Max static load allowed
(mm)	(Inches)	Code	Code	(N)	(N)
60,3	2"	200 / 80588	200 / 80589		
50,8	-	200 / 82070	200 / 82071		
48,3	1" 1/2	200 / 80590	200 / 80591	9600	15800
42,4	1" 1/4	200 / 80592	200 / 80593		
45x45	square tube	200 / 80271	200 / 80753		

**MATERIALS:** Base made of reinforced polyamide black colour; threaded bushing made of brass; fixing bolts and nuts made of stainless steel AISI 304 or zinc plated steel.

**FEATURES:** Max tightening torque 3,6 Kg-m.

**BOX QUANTITY:** 8 pieces.

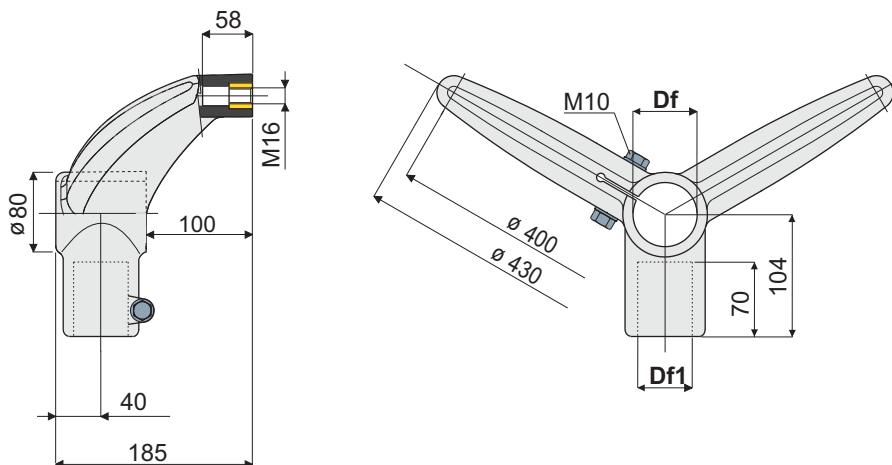
**ON REQUEST:**

- **Bases:** In reinforced polypropylene, other colours.
- **Box Quantity:** According to your request.
- **Assembling of:** Bolts and nuts.

# Support base

(bipod at 120°)

Part. **201**



Df		Df1		Zinc plated bolts and nuts	Stainless steel AISI 304 bolts and nuts	Tube unthreading load (N)	Max static load allowed (N)
Bore for tubes of (mm)	(Inches)	Bore for tubes of (mm)	(Inches)	Code	Code		
60,3	2"	48,3	1" 1/2	201 / 80612	201 / 80613	9600	15800
60,3	2"	42,4	1" 1/4	201 / 80614	201 / 80615		
50,8	-	48,3	-	201 / 83200	201 / 83201		
50,8	-	42,4	-	201 / 83202	201 / 83203		
48,3	1" 1/2	48,3	1" 1/2	201 / 80616	201 / 80617		
48,3	1" 1/2	42,4	1" 1/4	201 / 80618	201 / 80619		
42,4	1" 1/4	42,4	1" 1/4	201 / 80620	201 / 80621		

**MATERIALS:** Base made of reinforced polyamide black colour; threaded bushing made of brass; fixing bolts and nuts made of stainless steel AISI 304 or zinc plated steel.

**FEATURES:** Max tightening torque 3,6 Kg·m.

**BOX QUANTITY:** 8 pieces.

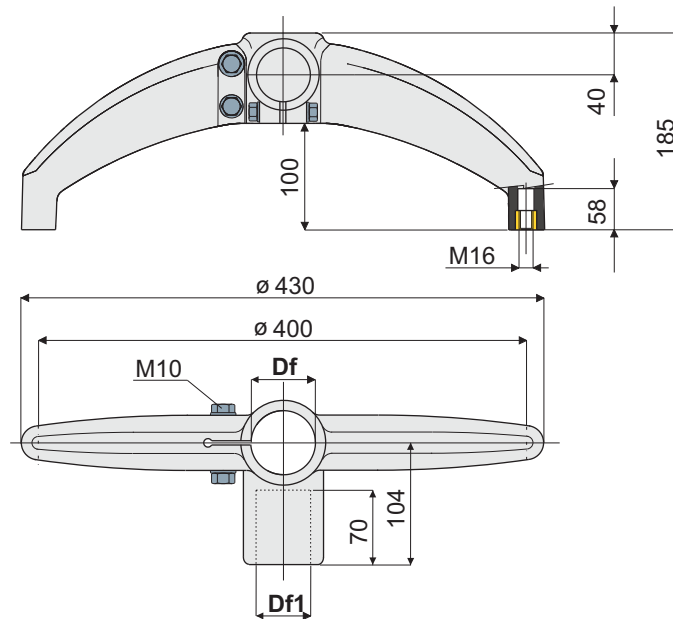
**ON REQUEST:**

- Bases: In reinforced polypropylene, other colours.
- Box Quantity: According to your request.
- Assembling of: Bolts and nuts.

# Support base

(bipod at 180°)

Part. **202**



Df	Df1	Zinc plated bolts and nuts	Stainless steel AISI 304 bolts and nuts	Tube unthreading load (N)	Max static load allowed (N)
Bore for tubes of (mm)	Bore for tubes of (Inches)	Code	Code		
60,3	2"	202 / 80622	202 / 80623		
60,3	2"	202 / 80624	202 / 80625		
50,8	-	202 / 83204	202 / 83205		
50,8	-	202 / 83206	202 / 83207	9600	15800
48,3	1" 1/2	202 / 80626	202 / 80627		
48,3	1" 1/2	202 / 80628	202 / 80629		
42,4	1" 1/4	202 / 80630	202 / 80631		

**MATERIALS:** Base made of reinforced polyamide black colour; threaded bushing made of brass; fixing bolts and nuts made of stainless steel AISI 304 or zinc plated steel.

**FEATURES:** Max tightening torque 3,6 Kg-m.

**BOX QUANTITY:** 8 pieces.

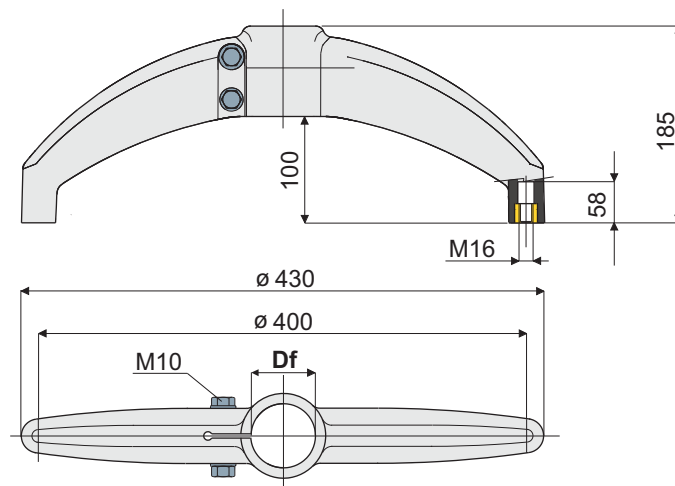
**ON REQUEST:**

- **Bases:** In reinforced polypropylene, other colours.
- **Box Quantity:** According to your request.
- **Assembling of:** Bolts and nuts.

# Support base

(bipod at 180°)

Part. **203**



Df Bore for tubes of	Zinc plated bolts and nuts	Stainless steel AISI 304 bolts and nuts	Tube unthreading load	Max static load allowed
(mm) (Inches)	Code	Code	(N)	(N)
60,3 2"	203 / 80632	203 / 80633	9600	15800
50,8 -	203 / 82998	203 / 82999		
48,3 1" 1/2	203 / 80634	203 / 80635		
42,4 1" 1/4	203 / 80636	203 / 80637		

**MATERIALS:** Base made of reinforced polyamide black colour; threaded bushing made of brass; fixing bolts and nuts made of stainless steel AISI 304 or zinc plated steel.

**FEATURES:** Max tightening torque 3,6 Kg·m.

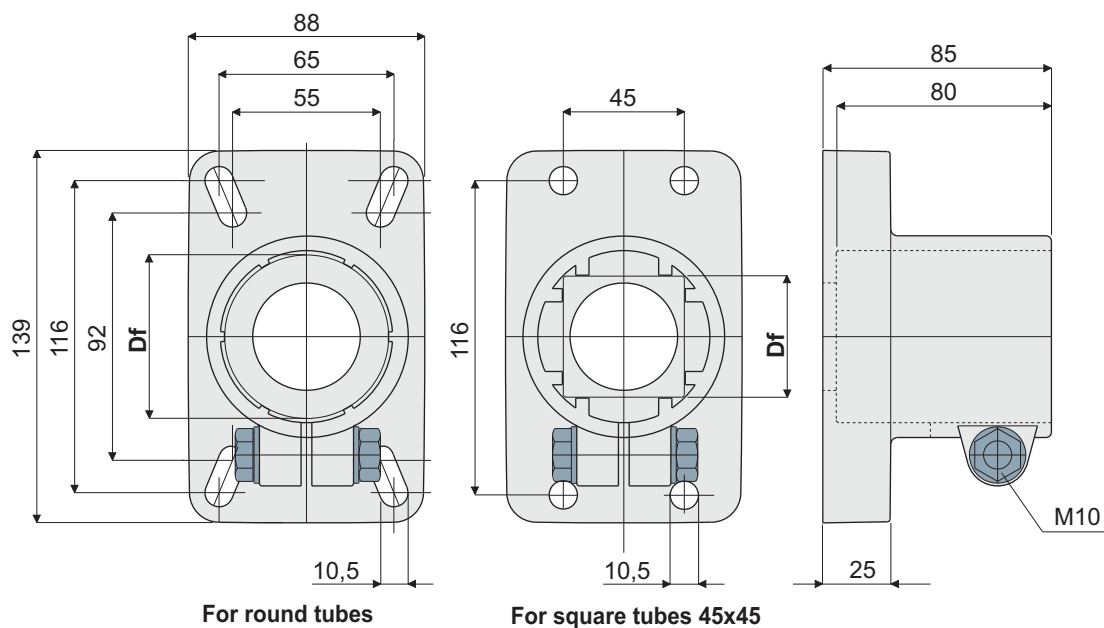
**BOX QUANTITY:** 8 pieces.

**ON REQUEST:**

- Bases: In reinforced polypropylene, other colours.
- Box Quantity: According to your request.
- Assembling of: Bolts and nuts.

# Bearing head

Part. **208**



Df		Zinc plated bolts and nuts	Stainless steel AISI 304 bolts and nuts
Bore for tubes of (mm)	(Inches)	Code	Code
60,3	2"	208 / 80764	208 / 80765
50,8	-	208 / 82072	208 / 82073
48,3	1" 1/2	208 / 80766	208 / 80767
42,4	1" 1/4	208 / 80768	208 / 80769
45x45	square tube	208 / 80770	208 / 80771

**MATERIALS:** Bearing head made of reinforced polyamide black colour; bolts and nuts made of stainless steel AISI 304 or zinc plated steel.

**FEATURES:** Max tightening torque 3,6 Kg-m.

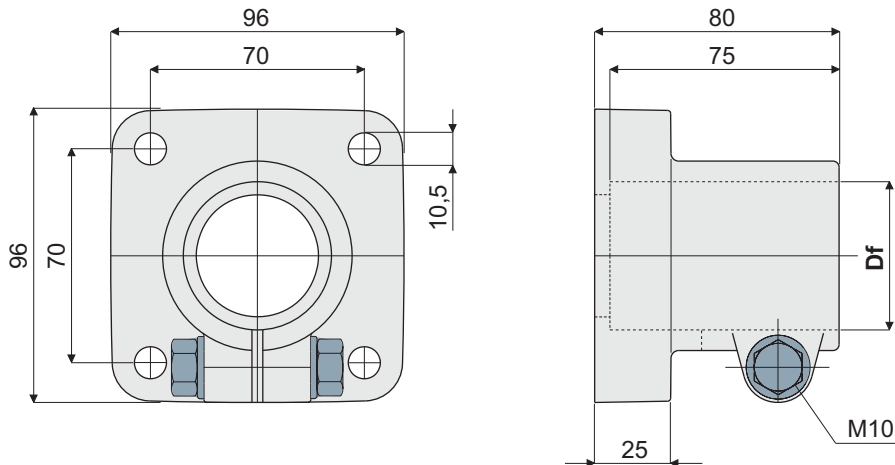
**BOX QUANTITY:** 8 pieces.

**ON REQUEST:**

- Bearing heads: In reinforced polypropylene, other colours.
- Box Quantity: According to your request.
- Assembling of: Bolts and nuts.

# Bearing head

Part. **212**



Df	Zinc plated bolts and nuts	Stainless steel AISI 304 bolts and nuts
Bore for tubes of	Code	Code
(mm)	(Inches)	
48,3	1" 1/2	212 / 80650
50,8	-	212 / 83208
		212 / 83110

**MATERIALS:** Bearing head made of reinforced polyamide black colour; bolts and nuts made of stainless steel AISI 304 or zinc plated steel.

**FEATURES:** Max tightening torque 3,6 Kg-m.

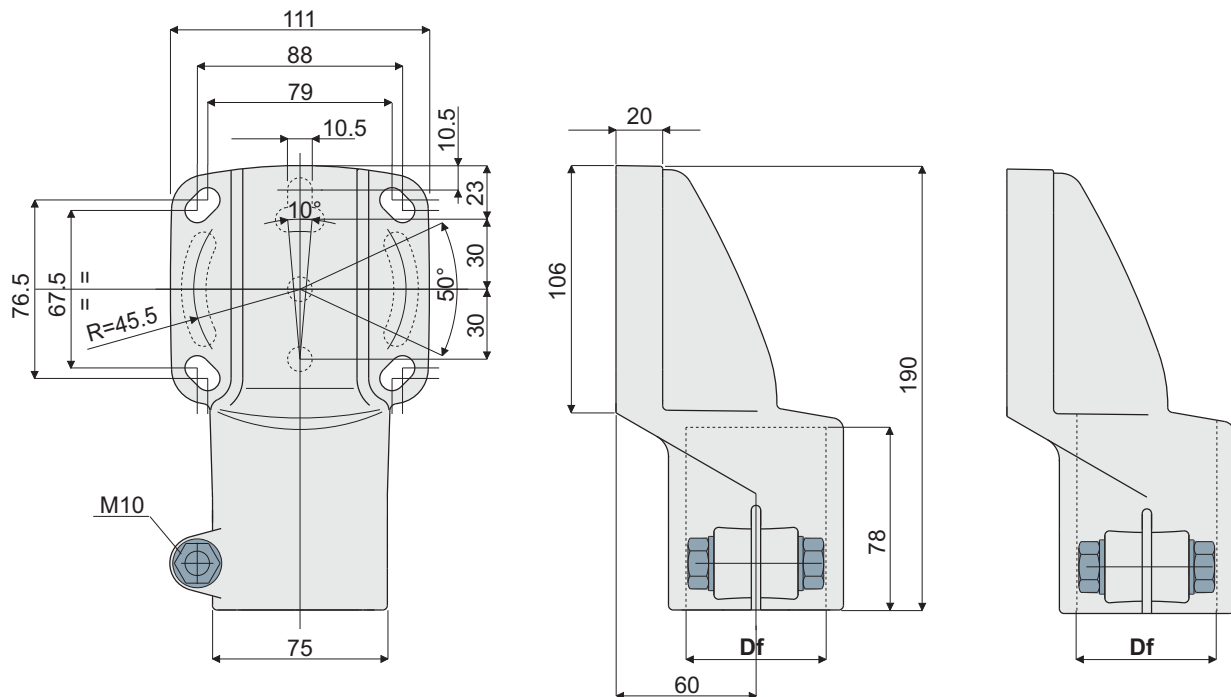
**BOX QUANTITY:** 8 pieces.

**ON REQUEST:**

- Bearing heads: In reinforced polypropylene, other colours.
- Box Quantity: According to your request.
- Assembling of: Bolts and nuts.

# Side mounting top bracket

Part. **207**



Df Bore for tubes of		Zinc plated bolts and nuts	Stainless steel AISI 304 bolts and nuts
(mm)	(Inches)	Code	Code
60,3	2"	207 / 80790	207 / 80791
50,8	-	207 / 83210	207 / 83211
48,3	1" 1/2	207 / 80792	207 / 80793
42,4	1" 1/4	207 / 80794	207 / 80795
45x45	square tube	207 / 80796	207 / 80797
48,3	through hole	207 / 82632	207 / 82633

**MATERIALS:** Top bracket made of reinforced polyamide black colour; bolts and nuts made of stainless steel AISI 304 or zinc plated steel.

**FEATURES:** Max tightening torque 3,6 Kg·m.

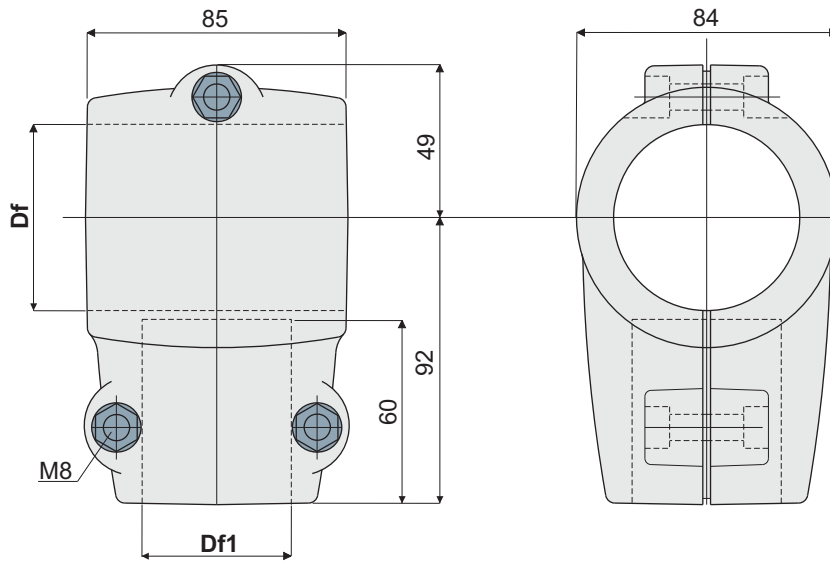
**BOX QUANTITY:** 8 pieces.

**ON REQUEST:**

- Top brackets: In reinforced polypropylene, other colours.
- Box Quantity: According to your request.
- Assembling of: Bolts and nuts.

# Connection joint

## Part. 210



Df		Df1		Zinc plated bolts and nuts	Stainless steel AISI 304 bolts and nuts
Bore for tubes of (mm)	Bore for tubes of (Inches)	Bore for tubes of (mm)	Bore for tubes of (Inches)	Code	Code
60,3	2"	48,3	1" 1/2	210 / 80638	210 / 80639
60,3	2"	42,4	1" 1/4	210 / 80640	210 / 80641
48,3	1" 1/2	48,3	1" 1/2	210 / 80642	210 / 80643
48,3	1" 1/2	42,4	1" 1/4	210 / 80644	210 / 80645
42,4	1" 1/4	42,4	1" 1/4	210 / 80646	210 / 80647

**MATERIALS:** Joint made of reinforced polyamide black colour; bolts and nuts made of stainless steel AISI 304 or zinc plated steel.

**FEATURES:** Max tightening torque 2 Kg·m.

**BOX QUANTITY:** 8 pieces.

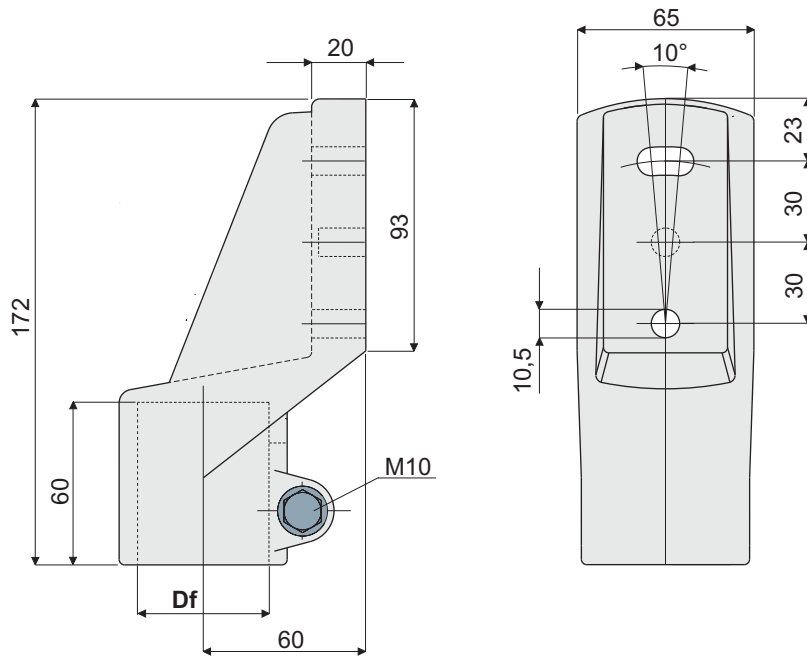
**ON REQUEST:**

- **Joints:** In reinforced polypropylene, other colours.
- **Box Quantity:** According to your request.
- **Assembling of:** Bolts and nuts.



# Side mounting top bracket

Part. **211**



Df Bore for tubes of		Zinc plated bolts and nuts	Stainless steel AISI 304 bolts and nuts
(mm)	(Inches)	Code	Code
48,3	1" 1/2	211 / 80648	211 / 80649

**MATERIALS:** Top bracket made out of reinforced polyamide black colour; bolts and nuts made out of stainless steel AISI 304 or zinc plated steel.

**FEATURES:** Max tightening torque 3,6 Kg-m.

**BOX QUANTITY:** 8 pieces.

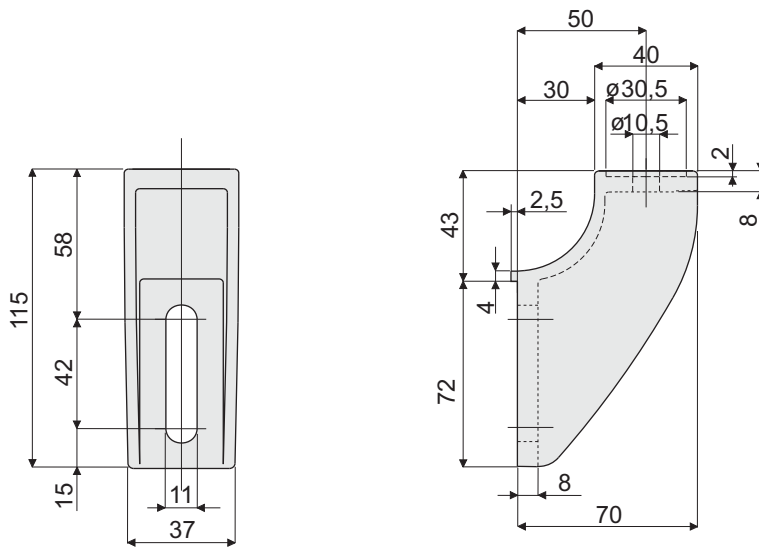
**ON REQUEST:**

- **Top brackets:** In reinforced polypropylene, other colours.
- **Box Quantity:** According to your request.
- **Assembling of:** Bolts and nuts.

# Guide rail bracket

(for adjustable heads)

Part. **209**



Code

209 / 80754

**MATERIALS:** Bracket made out of reinforced polyamide black colour.

**FEATURES:** To be used with heads Part.221, 222, 223 and 266.

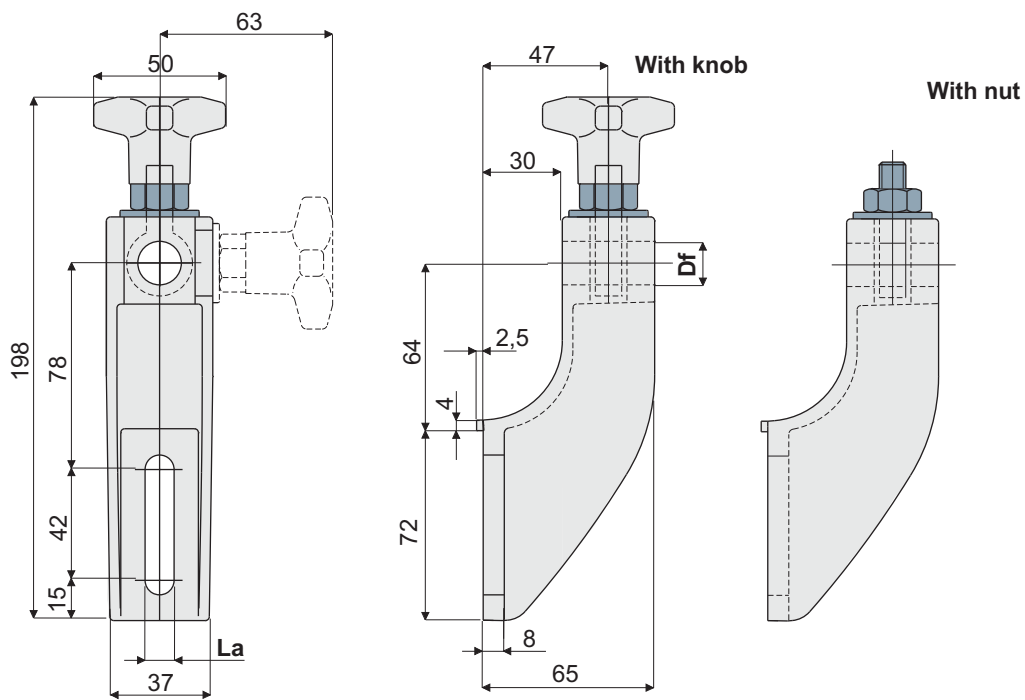
**BOX QUANTITY:** 24 pieces.

**ON REQUEST:**

- Brackets: In reinforced polypropylene, other colours.
- Box Quantity: According to your request.

# Guide rail bracket

Part. **213**



La (9 mm slot)		
Df	With knob	With nut
Bore for pin of (mm)	Code	Code
12	213 / 81176	213 / 82105
14	213 / 82102	213 / 82107
16	213 / 82104	213 / 82109

La (11 mm slot)		
Df	With knob	With nut
Bore for pin of (mm)	Code	Code
12	213 / 80652	213 / 80653
14	213 / 80654	213 / 80655
16	213 / 80656	213 / 80657

**MATERIALS:** Bracket and knob made of reinforced polyamide black colour; hexagonal insert made of nickel plated brass; eyebolt, nut and washer made of stainless steel AISI 304.

**FEATURES:** Max tightening torque 4 Kg·m.

**BOX QUANTITY:** 24 pieces.

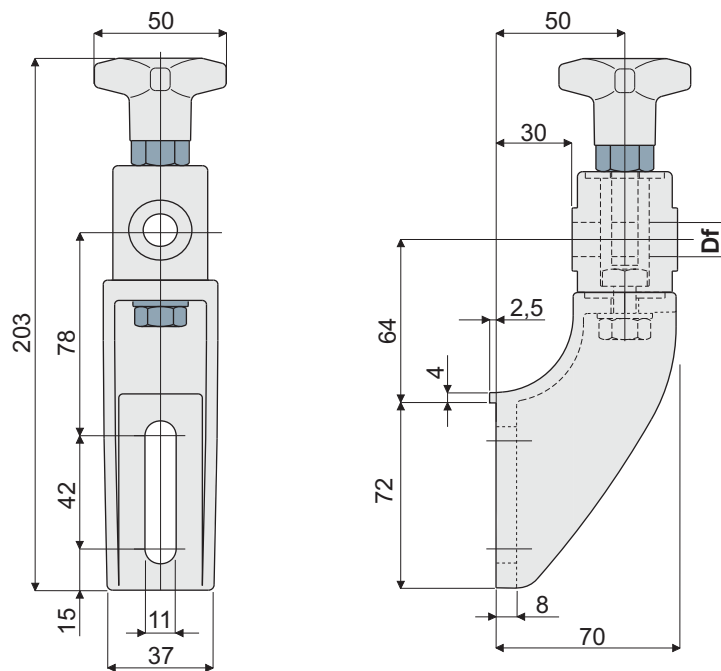
**ON REQUEST:**

- Brackets: In reinforced polypropylene, other colours.
- Box Quantity: According to your request.

# Guide rail bracket

(with adjustable head)

Part. **214**



Df Bore for pin of (mm)	Code
12	214 / 80755
14	214 / 80756
16	214 / 80757

**MATERIALS:** Bracket and knob made of reinforced polyamide black colour; hexagonal insert made of nickel plated brass; eyebolt, nut and washer made of stainless steel AISI 304.

**FEATURES:** Max tightening torque 4 Kg·m.

**BOX QUANTITY:** 24 pieces.

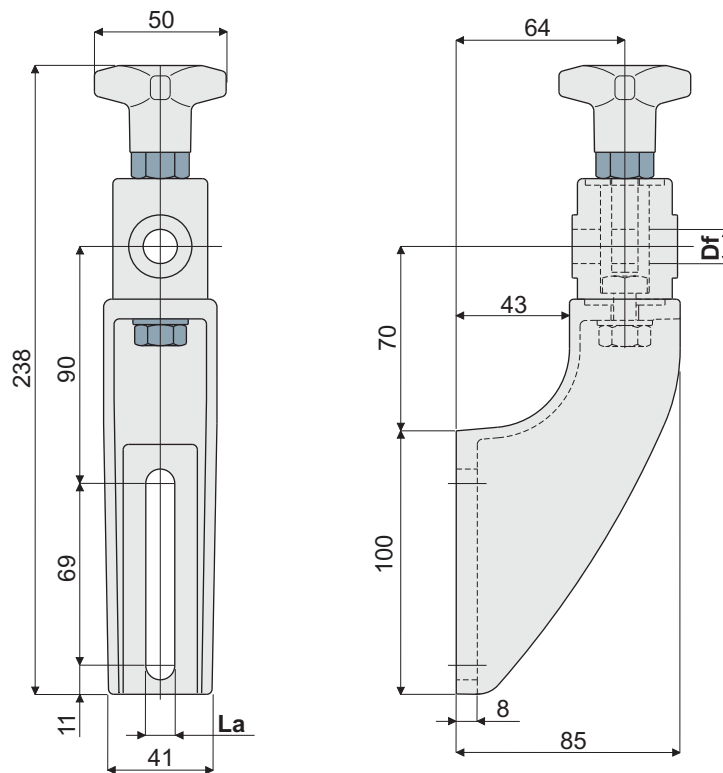
**ON REQUEST:**

- **Brackets:** In reinforced polypropylene, other colours.
- **Box Quantity:** According to your request.

# Guide rail bracket

(with adjustable head)

Part. **215**



Df Bore for pin of (mm)	La (9 mm slot) Code	La (11 mm slot) Code
12	215 / 82106	215 / 80658
14	215 / 82108	215 / 80659
16	215 / 82110	215 / 80660

**MATERIALS:** Bracket and knob made of reinforced polyamide black colour; hexagonal insert made of nickel plated brass; eyebolt, nut and washer made of stainless steel AISI 304.

**FEATURES:** Max tightening torque 4 Kg.m.

**BOX QUANTITY:** 24 pieces.

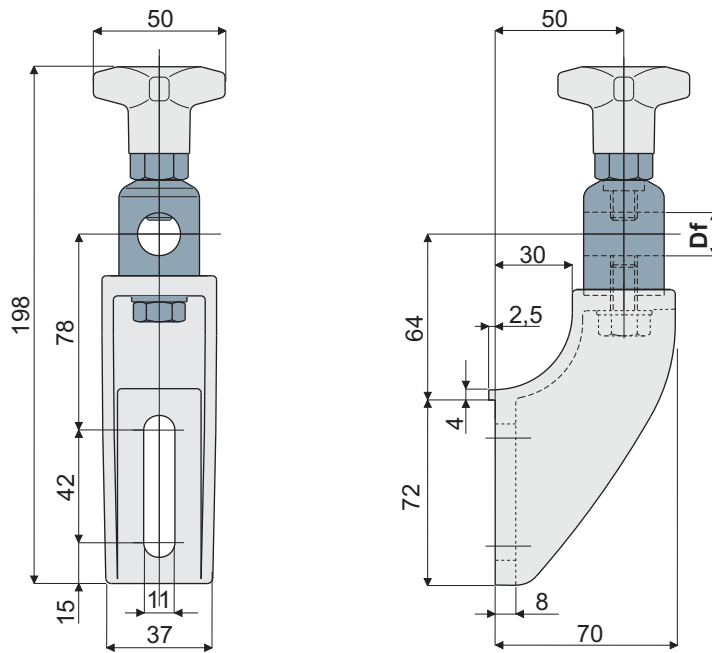
**ON REQUEST:**

- **Brackets:** In reinforced polypropylene, other colours.
- **Box Quantity:** According to your request.

# Guide rail bracket

(with metal adjustable head)

Part. **216**



Df Bore for pin of (mm)	Head made out of nickel plated brass Code	Head made out of stainless steel AISI 304 Code
14 - 16	216 / 80758	216 / 80759

**MATERIALS:** Bracket and knob made out of reinforced polyamide black colour; head made out of stainless steel AISI 304 or nickel plated brass; hexagonal insert made out of nickel plated brass; screw and washer made out of stainless steel AISI 304.

**FEATURES:** Possibility to use pins with diameter 14 and 16 mm. Max tightening torque 4 Kg·m.

**BOX QUANTITY:** 24 pieces.

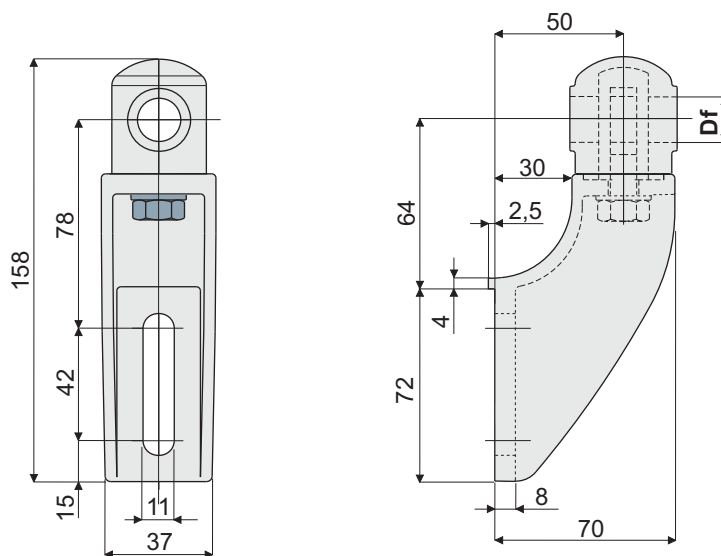
**ON REQUEST:**

- **Brackets:** In reinforced polypropylene, other colours.
- **Box Quantity:** According to your request.

# Guide rail bracket

(with adjustable head)

Part. **217**



Df	Code
Bore for pin of (mm)	
12	217 / 80760
14	217 / 80761
16	217 / 80762

**MATERIALS:** Bracket and head made of reinforced polyamide black colour; eyebolt, nut and washer made of stainless steel AISI 304.

**FEATURES:** Max tightening torque 4 Kg-m.

**BOX QUANTITY:** 24 pieces.

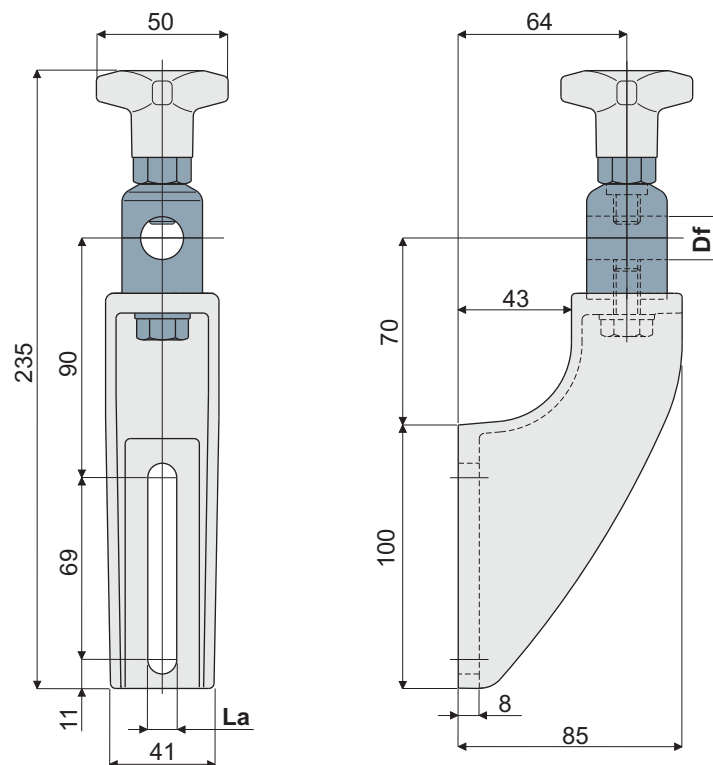
**ON REQUEST:**

- Brackets: In reinforced polypropylene, other colours.
- Box Quantity: According to your request.

# Guide rail bracket

(with metal adjustable head)

Part. **218**



Df Bore for pin of (mm)	La (9 mm slot)		Df Bore for pin of (mm)	La (11 mm slot)	
	Head made out of nickel plated brass Code	Head made out of stainless steel AISI 304 Code		Head made out of nickel plated brass Code	Head made out of stainless steel AISI 304 Code
14 - 16	218 / 82112	218 / 82113	14 - 16	218 / 80662	218 / 80663

**MATERIALS:** Bracket and knob made out of reinforced polyamide black colour; head made out of stainless steel AISI 304 or nickel plated brass; hexagonal insert made out of nickel plated brass; screw and washer made out of stainless steel AISI 304.

**FEATURES:** Possibility to use pins with diameter 14 and 16 mm. Max tightening torque 4 Kg-m.

**BOX QUANTITY:** 24 pieces.

**ON REQUEST:**

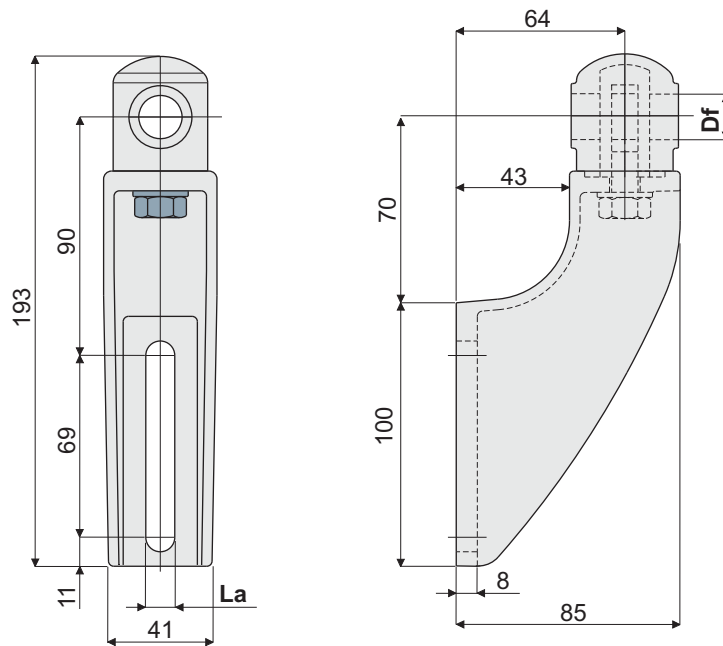
- Brackets: In reinforced polypropylene, other colours.
- Box Quantity: According to your request.



# Guide rail bracket

(with adjustable head)

Part. **219**



Df Bore for pin of (mm)	La (9 mm slot) Code	La (11 mm slot) Code
12	219 / 82114	219 / 80664
14	219 / 82115	219 / 80665
16	219 / 82116	219 / 80666

**MATERIALS:** Bracket and head made of reinforced polyamide black colour; eyebolt, nut and washer made of stainless steel AISI 304.

**FEATURES:** Max tightening torque 4 Kg-m.

**BOX QUANTITY:** 24 pieces.

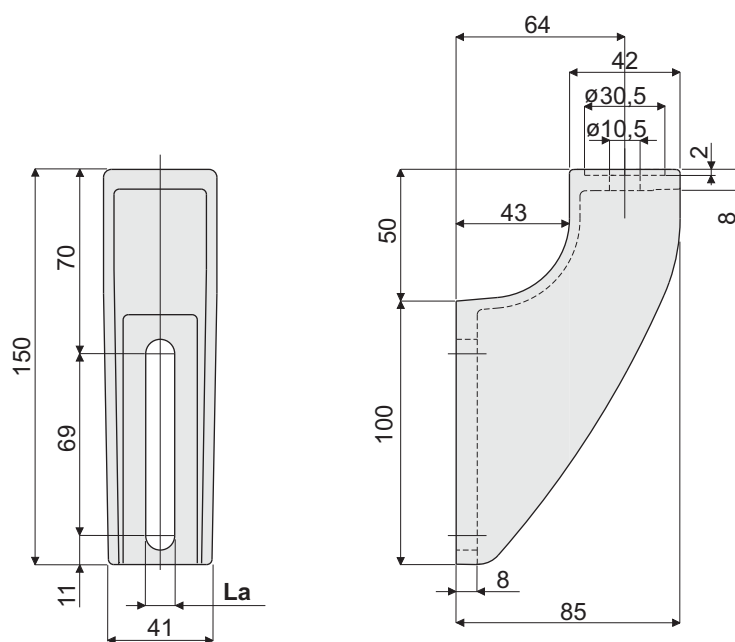
**ON REQUEST:**

- Brackets: In reinforced polypropylene, other colours.
- Box Quantity: According to your request.

# Guide rail bracket

(for adjustable heads)

Part. **220**



La (9 mm slot)	La (11 mm slot)
Code	Code
220 / 82111	220 / 80667

**MATERIALS:** Bracket made out of reinforced polyamide black colour.

**FEATURES:** To be used with heads Part.221, 222, 223 and 266.

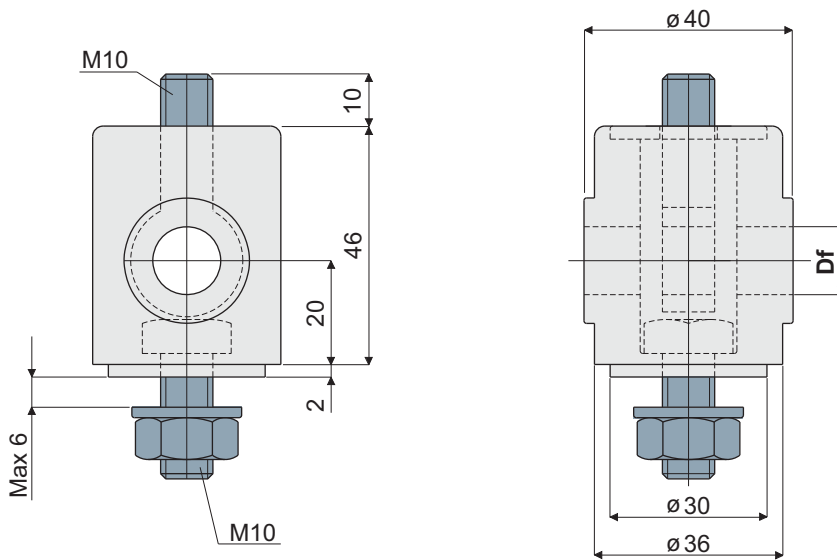
**BOX QUANTITY:** 24 pieces.

**ON REQUEST:**

- Brackets: In reinforced polypropylene, other colours.
- Box Quantity: According to your request.

# Head for bracket

Part. **221**



Df Bore for pin of (mm)	Code
12	221 / 80668
14	221 / 80669
16	221 / 80670

**MATERIALS:** Head made of reinforced polyamide black colour; eyebolt, screw, nut and washers made of stainless steel AISI 304.

**FEATURES:** To be used with bracket Part.209, 220 and 242. Max tightening torque 4 Kg-m.

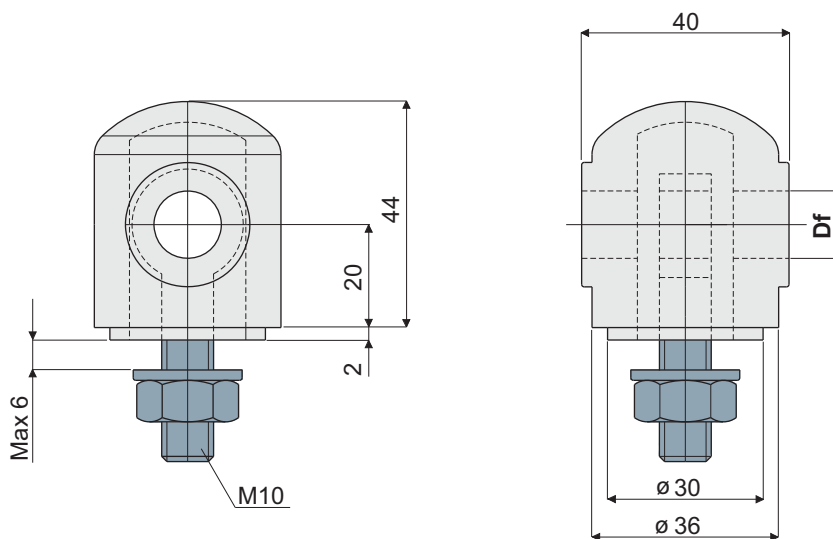
**BOX QUANTITY:** 24 pieces.

**ON REQUEST:**

- **Heads:** In reinforced polypropylene, other colours.
- **Box Quantity:** According to your request.

# Head for bracket

Part. **222**



Df Bore for pin of (mm)	Code
12	222 / 80671
14	222 / 80672
16	222 / 80673

**MATERIALS:** Head made of reinforced polyamide black colour; eyebolt, nut and washer made of stainless steel AISI 304.

**FEATURES:** To be used with bracket Part.209, 220 and 242. Max tightening torque 4 Kg·m.

**BOX QUANTITY:** 24 pieces.

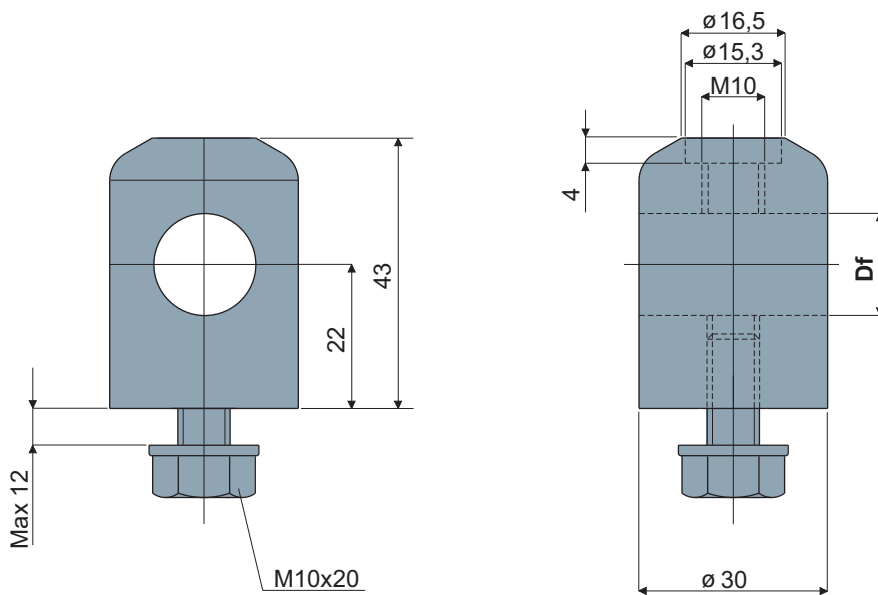
**ON REQUEST:**

- Heads: In reinforced polypropylene, other colours.
- Box Quantity: According to your request.

# Head for bracket

(metal)

Part. **223**



Df Bore for pin of (mm)	Head made out of nickel plated brass Code	Head made out of stainless steel AISI 304 Code
14 - 16	223 / 80674	223 / 80675

**MATERIALS:** Head made out of stainless steel AISI 304 or nickel plated brass; screw and washer made out of stainless steel AISI 304.

**FEATURES:** To be used with Part.209, 220 and 242. Max tightening torque 4 Kg-m.

Possibility to use pins with diameter 14 and 16 mm.

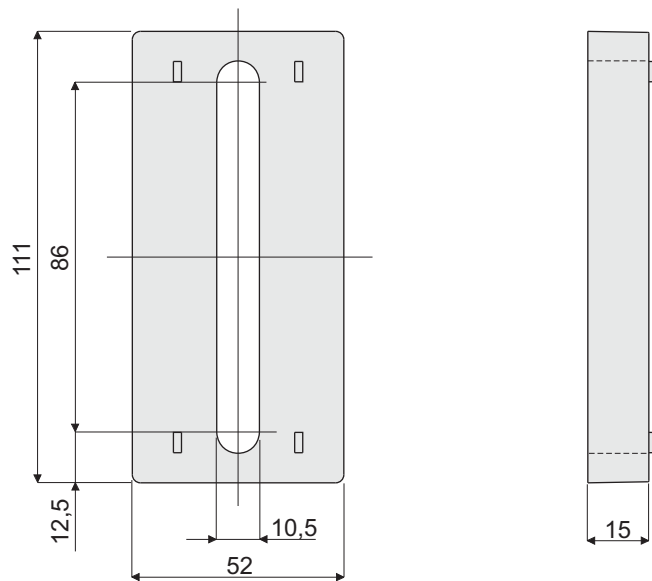
**BOX QUANTITY:** 24 pieces.

**ON REQUEST:**

- **Heads:** In different lengths.
- **Box Quantity:** According to your request.

# Spacer for bracket

Part. **224**



Code

224 / 80676

**MATERIALS:** Spacer made of reinforced polyamide black colour.

**FEATURES:** Accessory to be used with brackets Part.215, 218, 219, 220, 242, 243, 244, 255, 280, 281.

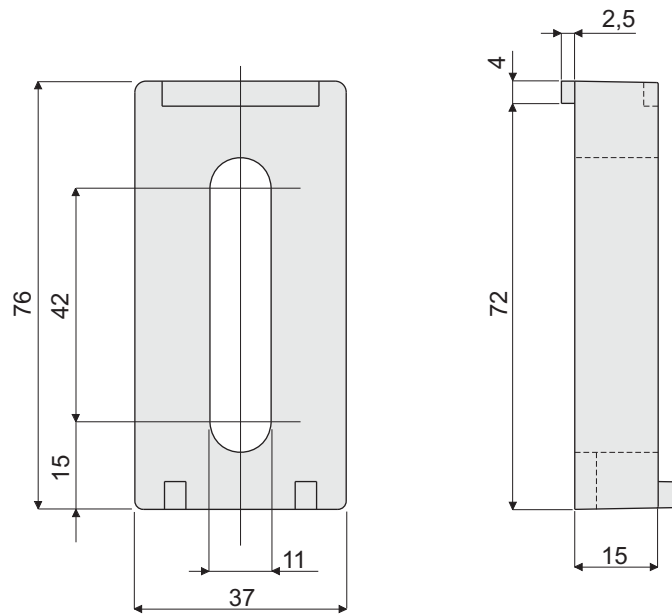
**BOX QUANTITY:** 24 pieces.

**ON REQUEST:**

- Spacers: In reinforced polypropylene, other colours.
- Box Quantity: According to your request.

# Spacer for bracket

Part. **225**



Code
225 / 80677

**MATERIALS:** Spacer made of reinforced polyamide black colour.

**FEATURES:** Accessory to be used with brackets Part.213, 214, 216, 217, 209, 279.

**BOX QUANTITY:** 24 pieces.

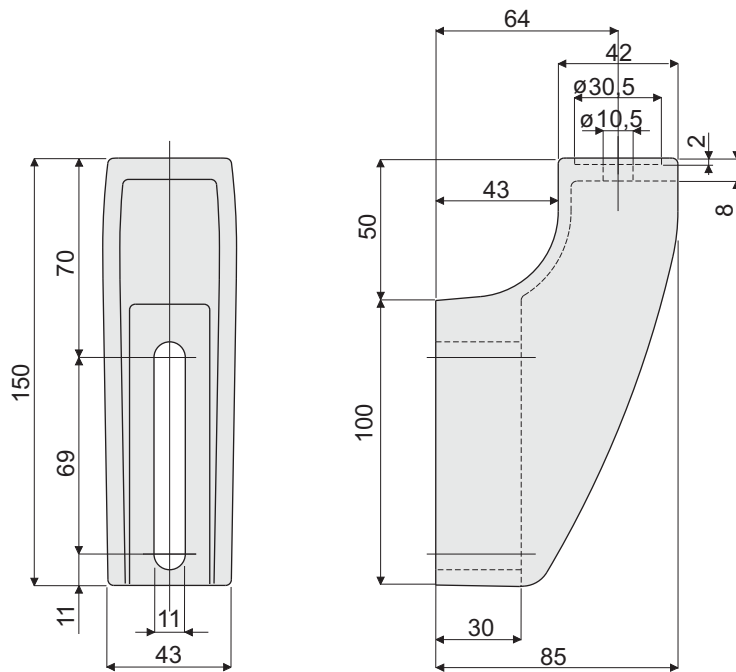
**ON REQUEST:**

- Spacers: In reinforced polypropylene, other colours.
- Box Quantity: According to your request.

# Guide rail bracket

(reinforced type for adjustable head)

Part. **242**



Code

242 / 81002

**MATERIALS:** Bracket made of reinforced polyamide black colour.

**FEATURES:** To be used with heads Part.221, 222, 223 and 266 for heavy applications. Suitable in conveyors with more ways, both in accumulation and curve.

**BOX QUANTITY:** 24 pieces.

**ON REQUEST:**

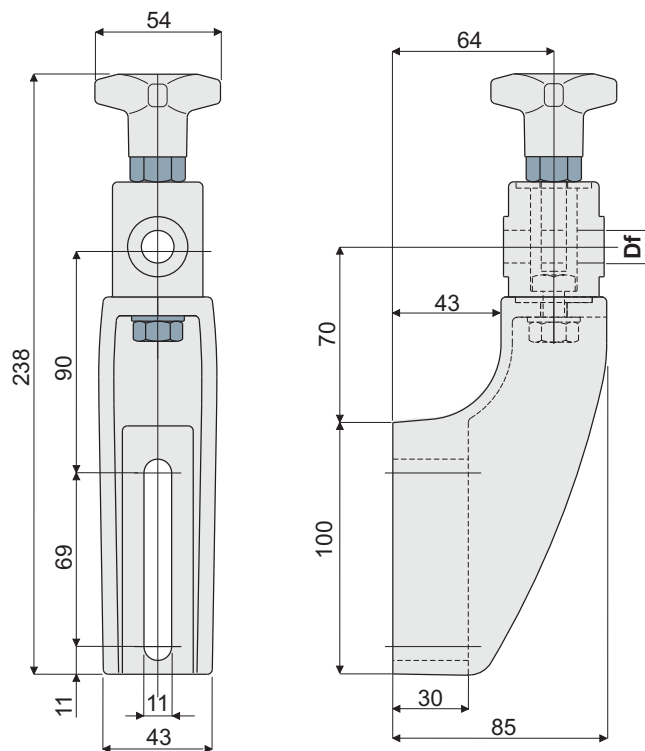
- Brackets: In reinforced polypropylene, other colours.
- Box Quantity: According to your request.



# Guide rail bracket

(reinforced type with adjustable head)

Part. **243**



Df Bore for pin of (mm)	Code
12	243 / 81003
14	243 / 81004
16	243 / 81005

**MATERIALS:** Bracket and knob made of reinforced polyamide black colour; hexagonal insert made of nickel plated brass; eyebolt, screw, nut and washer made of stainless steel AISI 304.

**FEATURES:** To be used for heavy applications, suitable in conveyors with more ways, both in accumulation and curve. Max tightening torque 4 Kg·m.

**BOX QUANTITY:** 24 pieces.

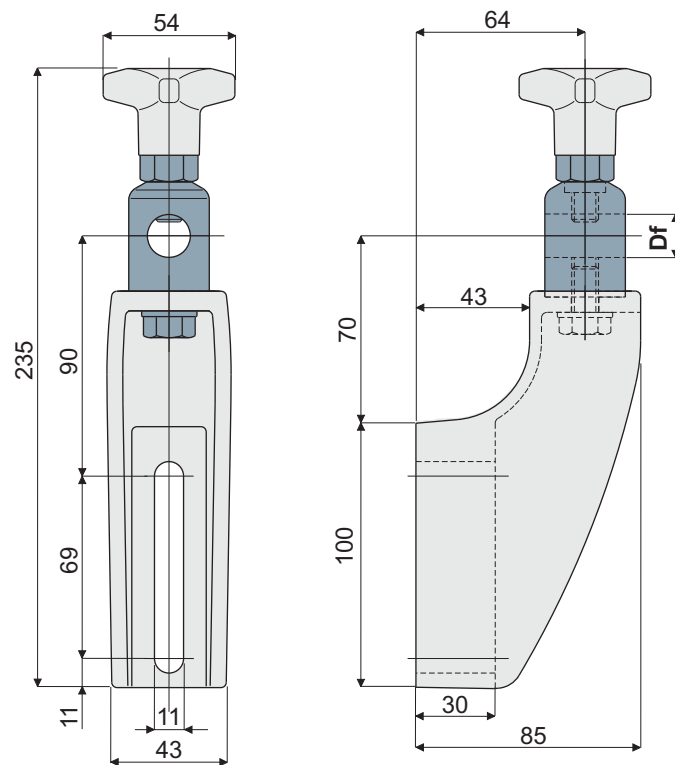
**ON REQUEST:**

- **Brackets:** In reinforced polypropylene, other colours.
- **Box Quantity:** According to your request.

# Guide rail bracket

(reinforced type with metal adjustable head)

Part. **244**



Df Bore for pin of (mm)	Head made out of nickel plated brass Code	Head made out of stainless steel AISI 304 Code
14 - 16	244 / 81006	244 / 81007

**MATERIALS:** Bracket and knob made out of reinforced polyamide black colour; head made out of stainless steel AISI 304 or nickel plated brass; hexagonal insert made out of nickel plated brass; screw and washer made out of stainless steel AISI 304.

**FEATURES:** To be used for heavy applications, suitable in conveyors with more ways, both in accumulation and curve. Possibility to use pins with diameter 14 and 16 mm. Max tightening torque 4 Kg-m.

**BOX QUANTITY:** 24 pieces.

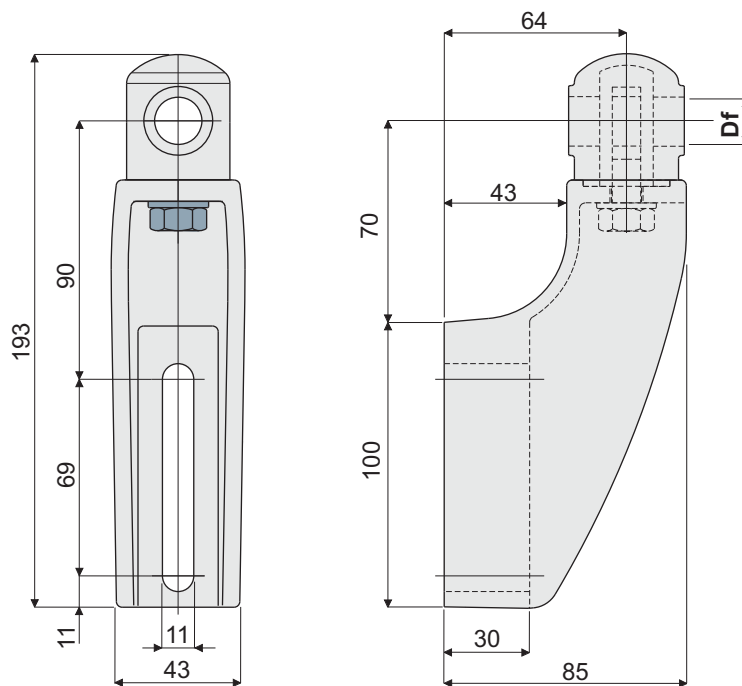
**ON REQUEST:**

- **Brackets:** In reinforced polypropylene, other colours.
- **Box Quantity:** According to your request.

# Guide rail bracket

(reinforced type with adjustable head)

Part. **255**



Df Bore for pin of (mm)	Code
12	255 / 81008
14	255 / 81009
16	255 / 81010

**MATERIALS:** Bracket and head made of reinforced polyamide black colour; eyebolt, nut and washer made of stainless steel AISI 304.

**FEATURES:** To be used for heavy applications, suitable in conveyors with more ways, both in accumulation and curve. Max tightening torque 4 Kg-m.

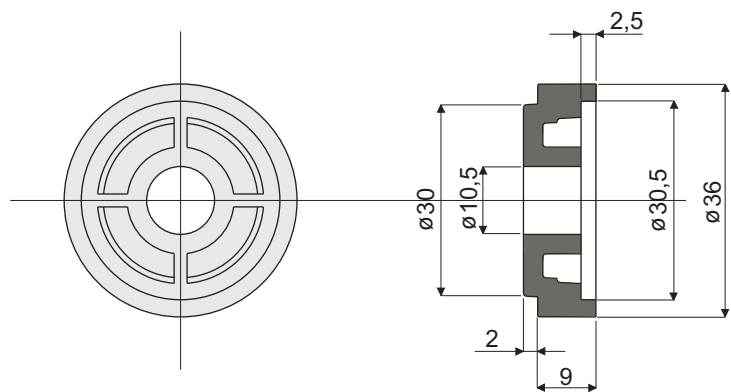
**BOX QUANTITY:** 24 pieces.

**ON REQUEST:**

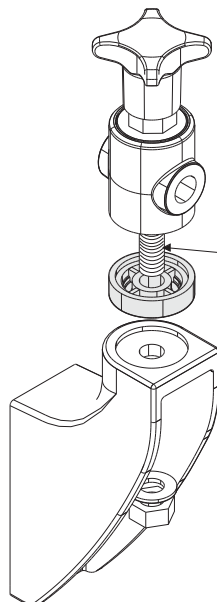
- Brackets: In reinforced polypropylene, other colours.
- Box Quantity: According to your request.

# Spacer for heads

Part. **256**



Example of application



N.B.: To use the spacer, it is necessary to change the standard screw with a longer one.

Code
256 / 81011

**MATERIALS:** Spacer made of reinforced polyamide black colour.

**FEATURES:** Accessory to be used on brackets Part.214, 215, 216, 217, 219, 255, 209, 220, 242, 218, 243, 244, 279, 280, 281 to increase heads height.

**BOX QUANTITY:** 24 pieces.

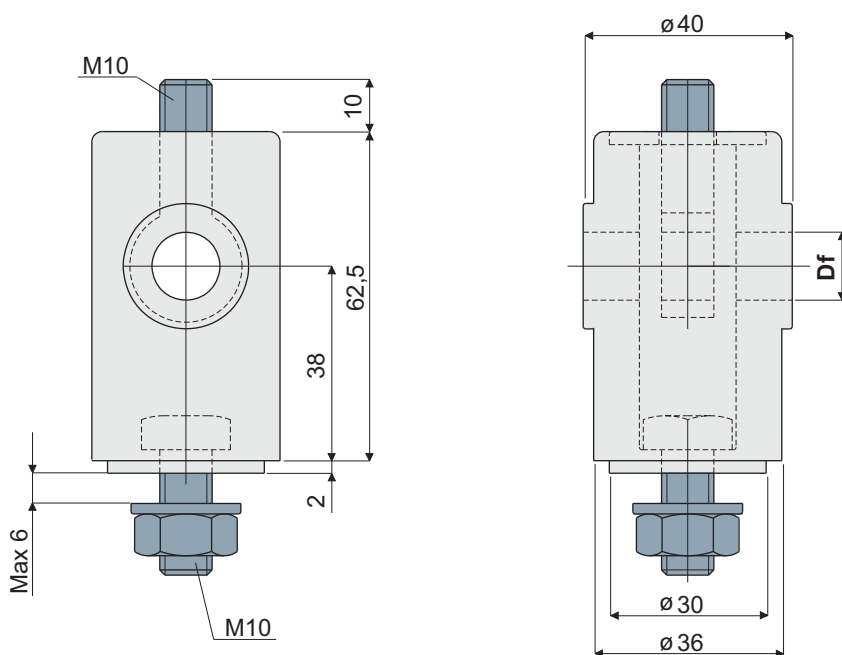
**ON REQUEST:**

- Spacers: In reinforced polypropylene, other colours.
- Box Quantity: According to your request.

# Head for bracket

(high type)

Part. **266**



Df	Code
Bore for pin of (mm)	
12	266 / 82035
14	266 / 82036
16	266 / 82037

**MATERIALS:** Head made of reinforced polyamide black colour; eyebolt, nuts and washer made of stainless steel AISI 304.

**FEATURES:** To be used with bracket Part.209, 220 and 242. Max tightening torque 4 Kg·m.

**BOX QUANTITY:** 24 pieces.

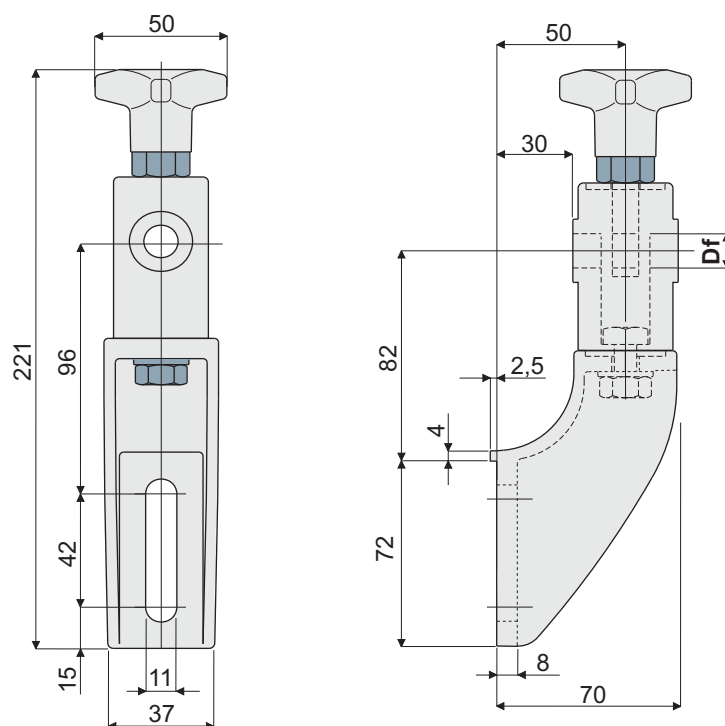
**ON REQUEST:**

- Heads: Made of reinforced polypropylene, other colours.
- Box Quantity: According to your request.

# Guide rail bracket

(with adjustable head)

Part. **279**



Df Bore for pin of (mm)	Code
12	279 / 82124
14	279 / 82125
16	279 / 82126

**MATERIALS:** Bracket and knob made of reinforced polyamide black colour; hexagonal insert made of nickel plated brass; eyebolt, nut and washer made of stainless steel AISI 304.

**FEATURES:** Max tightening torque 4 Kg·m.

**BOX QUANTITY:** 8 pieces.

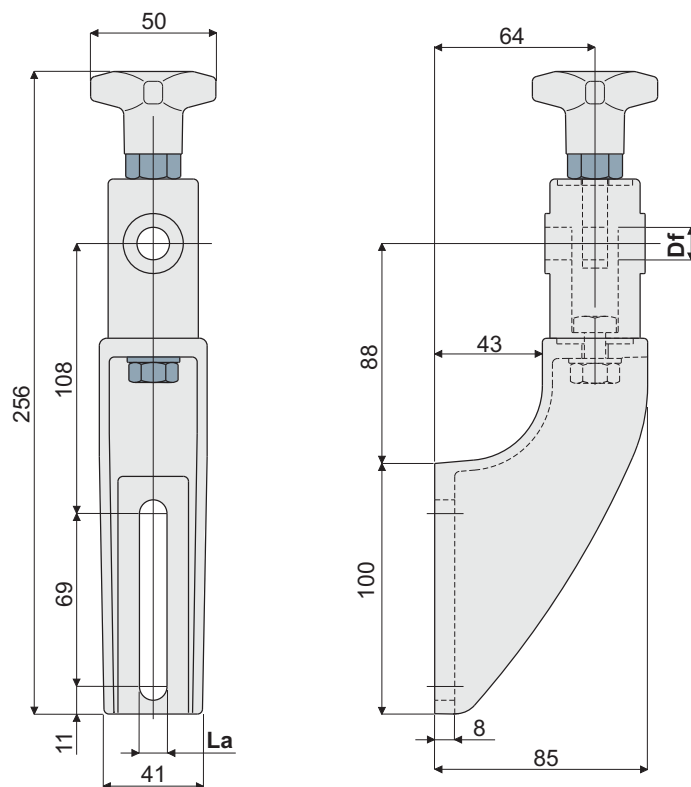
**ON REQUEST:**

- Brackets: In reinforced polypropylene, other colours.
- Box Quantity: According to your request.

# Guide rail bracket

(with adjustable high type head)

Part. **280**



Df Bore for pin of (mm)	La (9 mm slot) Code	La (11 mm slot) Code
12	280 / 82150	280 / 82127
14	280 / 82151	280 / 82128
16	280 / 82152	280 / 82129

**MATERIALS:** Bracket and knob made of reinforced polyamide black colour; hexagonal insert made of nickel plated brass; eyebolt, nut and washer made of stainless steel AISI 304.

**FEATURES:** Max tightening torque 4 Kg·m.

**BOX QUANTITY:** 24 pieces.

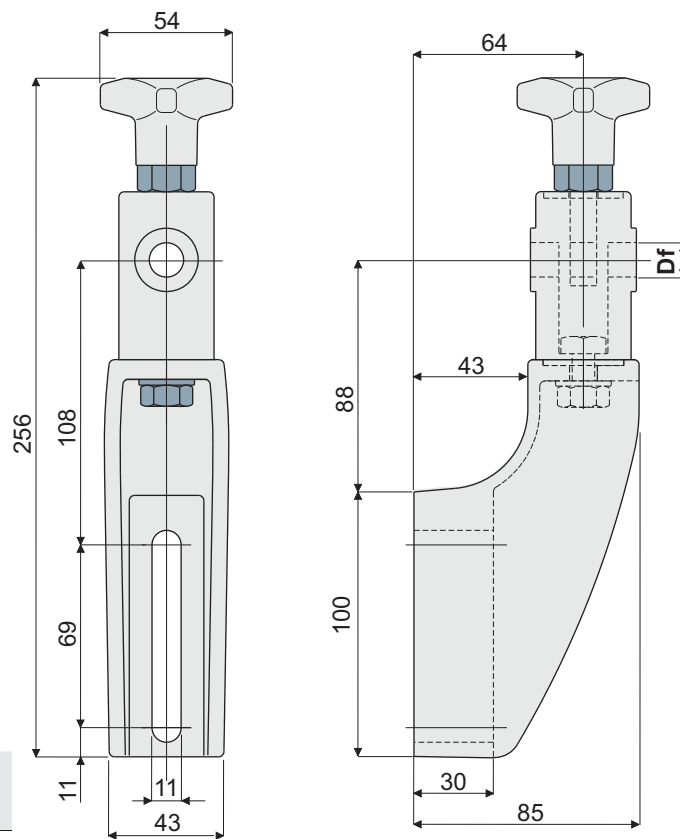
**ON REQUEST:**

- Brackets: In reinforced polypropylene, other colours.
- Box Quantity: According to your request.

# Guide rail bracket

(reinforced type with adjustable high type head)

Part. **281**



Df Bore for pin of (mm)	Code
12	281 / 82130
14	281 / 82131
16	281 / 82132

**MATERIALS:** Bracket and knob made of reinforced polyamide black colour; hexagonal insert made of nickel plated brass; eyebolt, screw, nut and washer made of stainless steel AISI 304.

**FEATURES:** To be used for heavy applications, suitable in conveyors with more ways, both in accumulation and curve. Max tightening torque 4 Kg·m.

**BOX QUANTITY:** 24 pieces.

**ON REQUEST:**

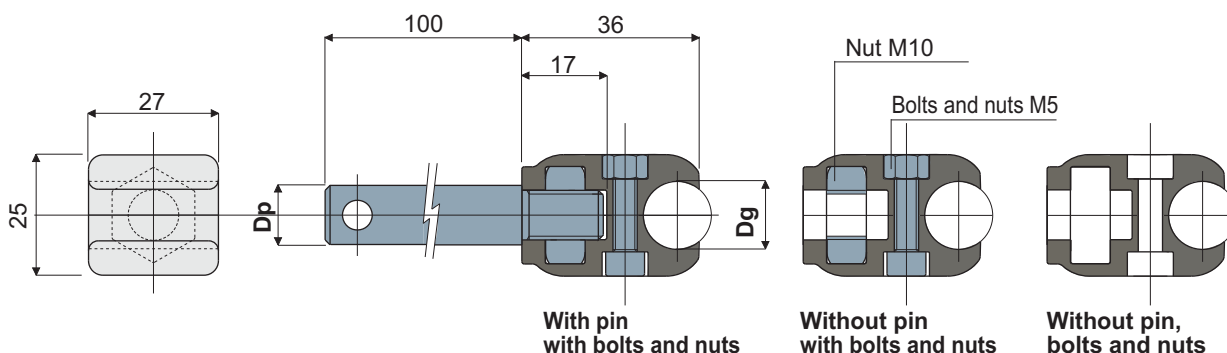
- Brackets: In reinforced polypropylene, other colours.
- Box Quantity: According to your request.



# Guide rail clamp

(for round rail)

Part. **204**



Dp Pin diameter (mm)	Dg Rail diameter (mm)	With pin with bolts and nuts Code
12	8	204 / 80798
	10	204 / 80799
	12	204 / 80800
	14	204 / 80801
14	8	204 / 80802
	10	204 / 80803
	12	204 / 80804
16	14	204 / 80805
	8	204 / 80806
	10	204 / 80807
	12	204 / 80808
	14	204 / 80809

Dg Rail diameter (mm)	Without pin with bolts and nuts Code
8	204 / 80810
10	204 / 80811
12	204 / 80812
14	204 / 80813

Dg Rail diameter (mm)	Without pin, bolts and nuts Code
8	204 / 80978
10	204 / 80979
12	204 / 80980
14	204 / 80981

**MATERIALS:** Clamp made of reinforced polyamide black colour; pin, bolts and nuts made of stainless steel AISI 304.

**FEATURES:** Supplied with or without support pin and with or without bolts and nuts.

**BOX QUANTITY:** 24 pieces.

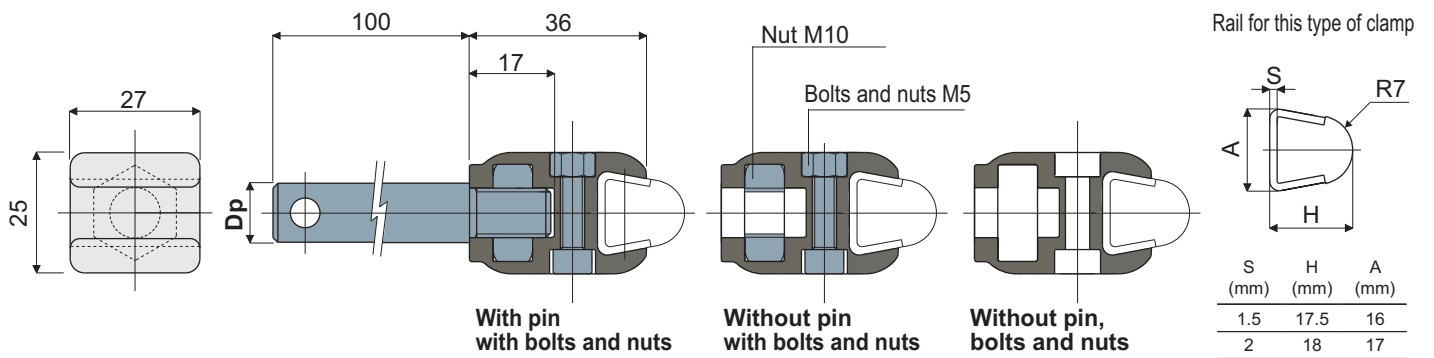
**ON REQUEST:**

- **Clamps:** In reinforced polypropylene, other colours.
- **Box Quantity:** According to your request.

# Guide rail clamp

(for trapezoidal rail)

Part. **205**



Dp Pin diameter (mm)	With pin with bolts and nuts	Without pin with bolts and nuts	Without pin, bolts and nuts
	Code	Code	Code
12	205 / 80814		
14	205 / 80815	205 / 80817	205 / 80982
16	205 / 80816		

**MATERIALS:** Clamp made of reinforced polyamide black colour; pin, bolts and nuts made of stainless steel AISI 304.

**FEATURES:** Supplied with or without support pin and with or without bolts and nuts. This part can be used with rails with thickness of 1,5 and 2 mm.

**BOX QUANTITY:** 24 pieces.

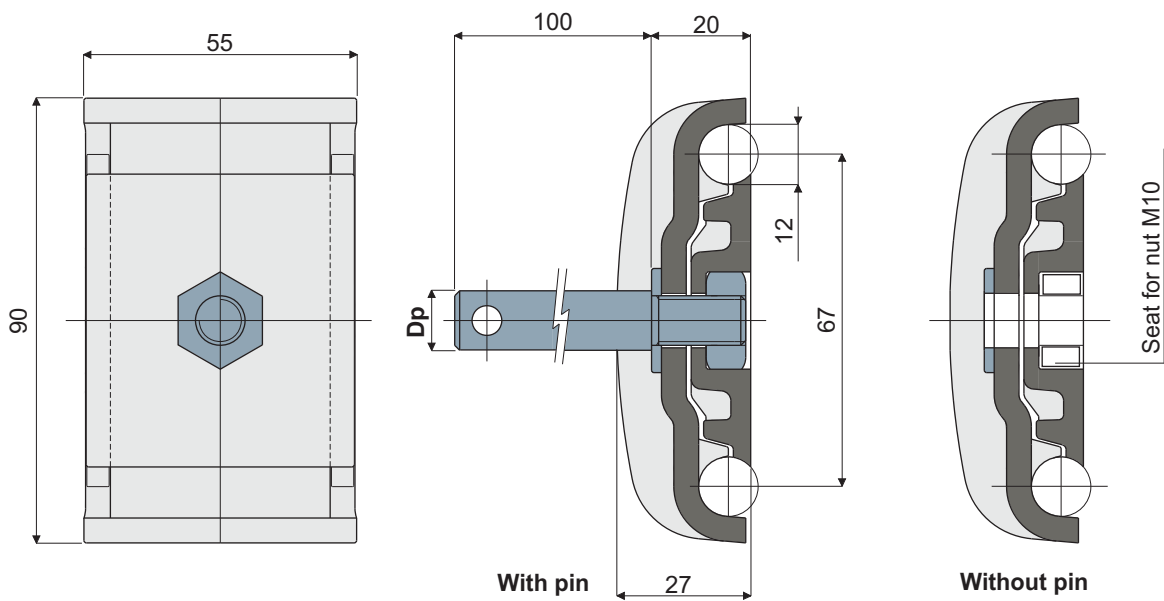
**ON REQUEST:**

- Clamps: In reinforced polypropylene, other colours.
- Box Quantity: According to your request.

# Guide rail clamp

(for round rails)

Part. **229**



Dp Pin diameter (mm)	With pin Code	Without pin Code
12	229 / 80681	
14	229 / 80682	229 / 80609
16	229 / 80683	

**MATERIALS:** Clamp made of reinforced polyamide black colour; pin, nut and washer made of stainless steel AISI 304.

**FEATURES:** Supplied with or without support pin.

**BOX QUANTITY:** 24 pieces.

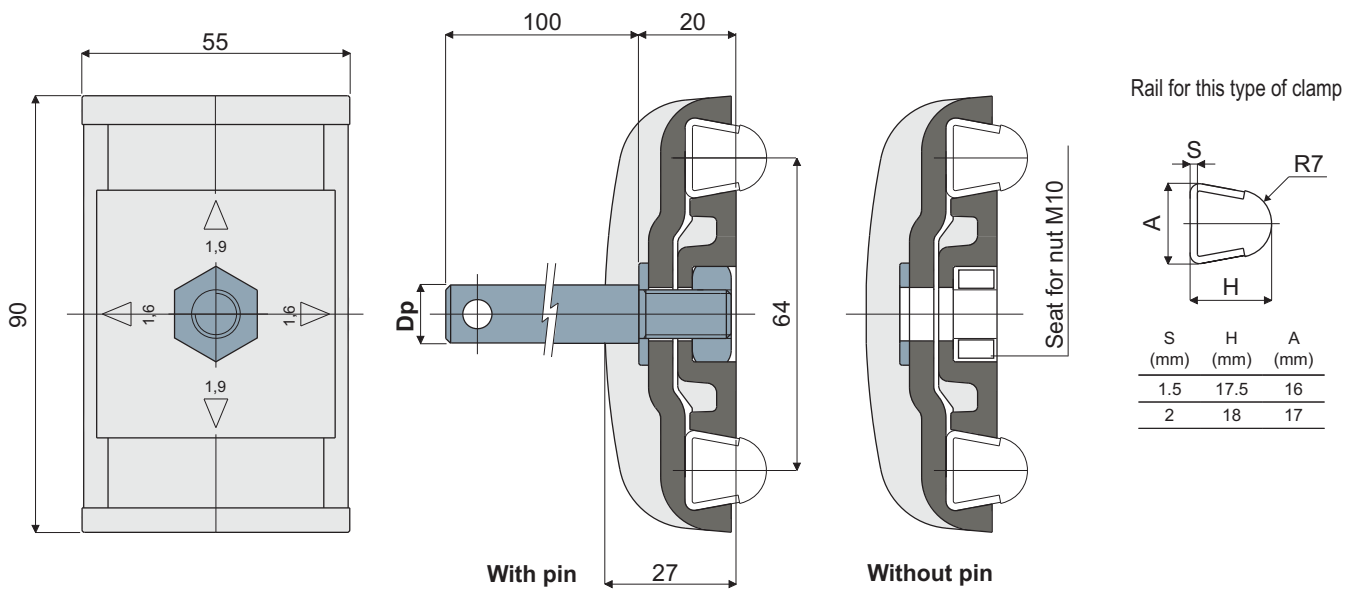
**ON REQUEST:**

- **Clamps:** In reinforced polypropylene, other colours.
- **Box Quantity:** According to your request.

# Guide rail clamp

(for trapezoidal rails)

Part. **230**



Dp Pin diameter (mm)	With pin Code	Without pin Code
12	230 / 80684	
14	230 / 80685	230 / 80611
16	230 / 80686	

**MATERIALS:** Clamp made of reinforced polyamide black colour; pin, nut and washer made of stainless steel AISI 304.

**FEATURES:** Supplied with or without support pin. This part can be used with rails with thickness of 1,5 and 2 mm, by rotating for 90° the central plate.

**BOX QUANTITY:** 24 pieces.

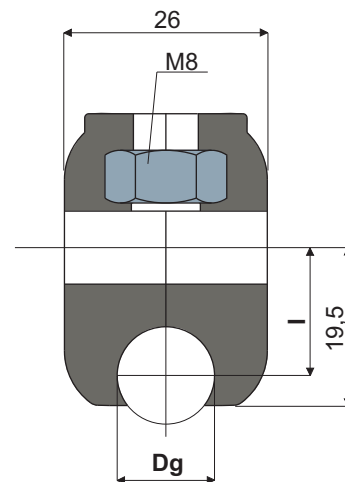
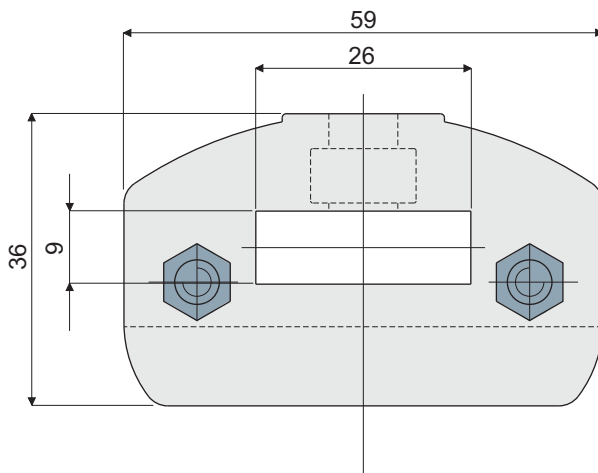
**ON REQUEST:**

- **Clamps:** In reinforced polypropylene, other colours.
- **Box Quantity:** According to your request.

# Guide rail clamp

(for round rails)

Part. **231**



Dg Rail diameter (mm)	l (mm)	Code
8	16	231 / 80749
10	15	231 / 80788
12	15	231 / 80687
14	15	231 / 80787

**MATERIALS:** Clamp made of reinforced polyamide black colour; screws and nuts made of stainless steel AISI 304.

**FEATURES:** To be used with flat support with sizes 25x8 mm.

**BOX QUANTITY:** 24 pieces.

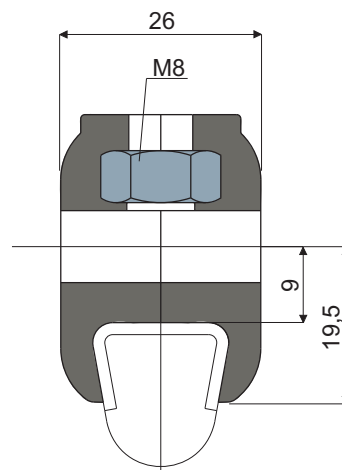
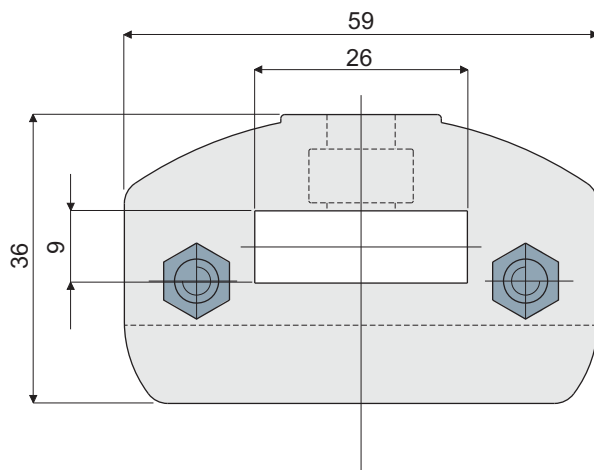
**ON REQUEST:**

- **Clamps:** In reinforced polypropylene, other colours.
- **Box Quantity:** According to your request.

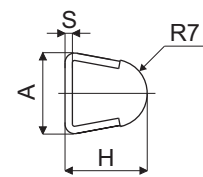
# Guide rail clamp

(for trapezoidal rails)

Part. **232**



Rail for this type of clamp



S (mm)	H (mm)	A (mm)
1.5	17.5	16
2	18	17

Code

232 / 80688

**MATERIALS:** Clamp made of reinforced polyamide black colour; screws and nuts made of stainless steel AISI 304.

**FEATURES:** Supplied assembled. To be used with flat support with sizes 25x8 mm. This part can be used with rails with thickness of 1,5 and 2 mm.

**BOX QUANTITY:** 24 pieces.

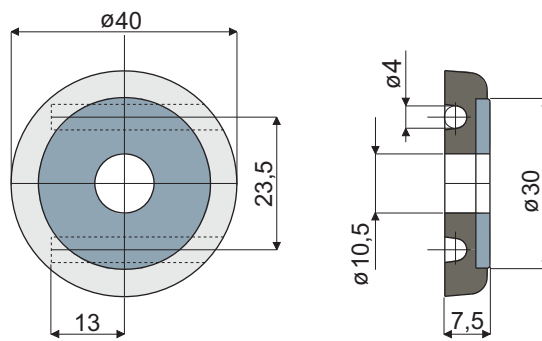
**ON REQUEST:**

- Clamps: In reinforced polypropylene, other colours.
- Box Quantity: According to your request.

# Mounting plate

(for drip tray support)

Part. **235**



Code

235 / 80778

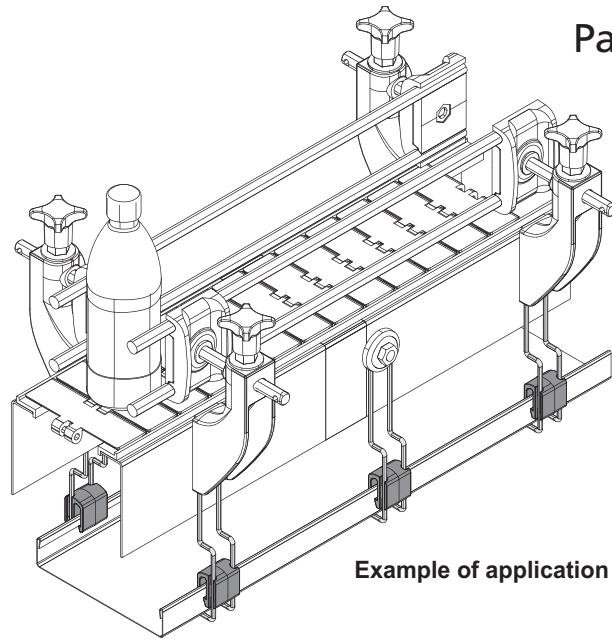
**MATERIALS:** Plate made of reinforced polyamide black colour; washer made of stainless steel AISI 304.

**FEATURES:** For application on conveyor side to fasten drip tray support.

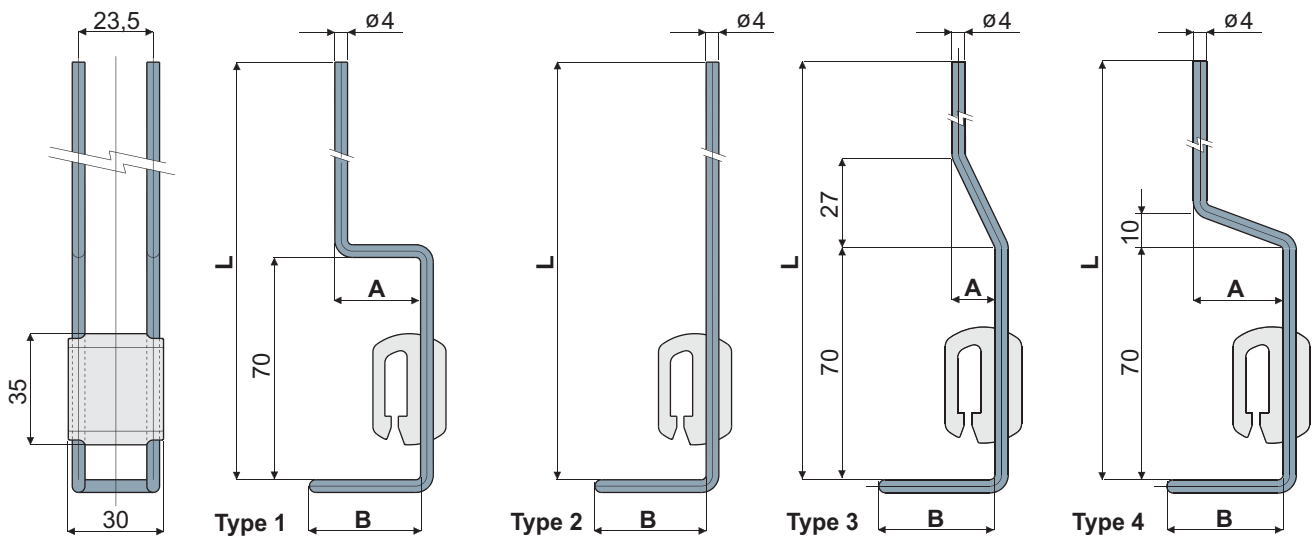
**BOX QUANTITY:** 24 pieces.

# Drip tray support

Part. **236**



Example of application



L (mm)	B (mm)	A (mm)	Type 1 Code
180	35	27	236 / 80779
180	35	17	236 / 81012
230	35	27	236 / 82683

L (mm)	B (mm)	Type 2 Code
200	35	236 / 80780
246	35	236 / 81013

L (mm)	B (mm)	A (mm)	Type 3 Code
250	35	13	236 / 82640

L (mm)	B (mm)	A (mm)	Type 4 Code
280	35	27	236 / 82949

**MATERIALS:** Support elements made of stainless steel AISI 304; body of coupling made of reinforced polyamide black colour.

**FEATURES:** To be used to support drip trays.

**BOX QUANTITY:** 24 pieces.

**ON REQUEST:**

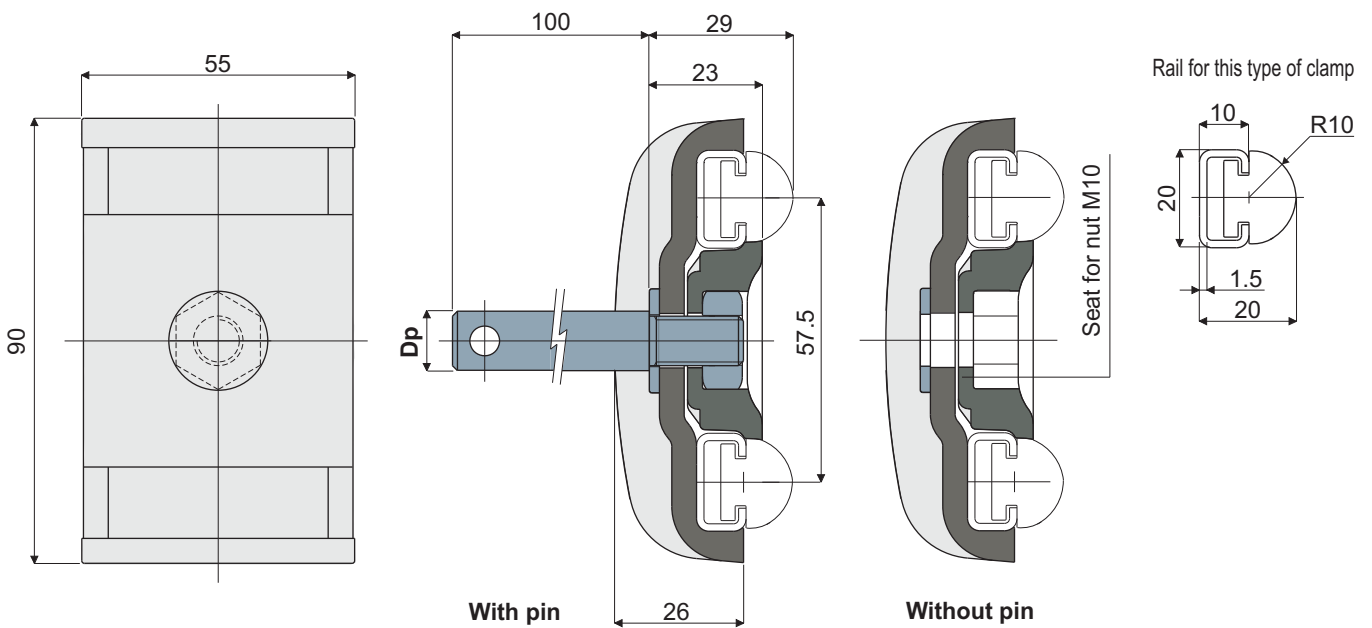
- Drip tray supports: Supplied in different shapes and sizes.
- Box Quantity: According to your request.



# Guide rail clamp

(for rectangular rails)

Part. **289**



Dp Pin diameter (mm)	With pin Code	Without pin Code
12	289 / 82569	
14	289 / 82570	289 / 82572
16	289 / 82571	

**MATERIALS:** Clamp made of reinforced polyamide black colour; pin, nut and washer made of stainless steel AISI 304.

**FEATURES:** Supplied with or without support pin.

**BOX QUANTITY:** 24 pieces.

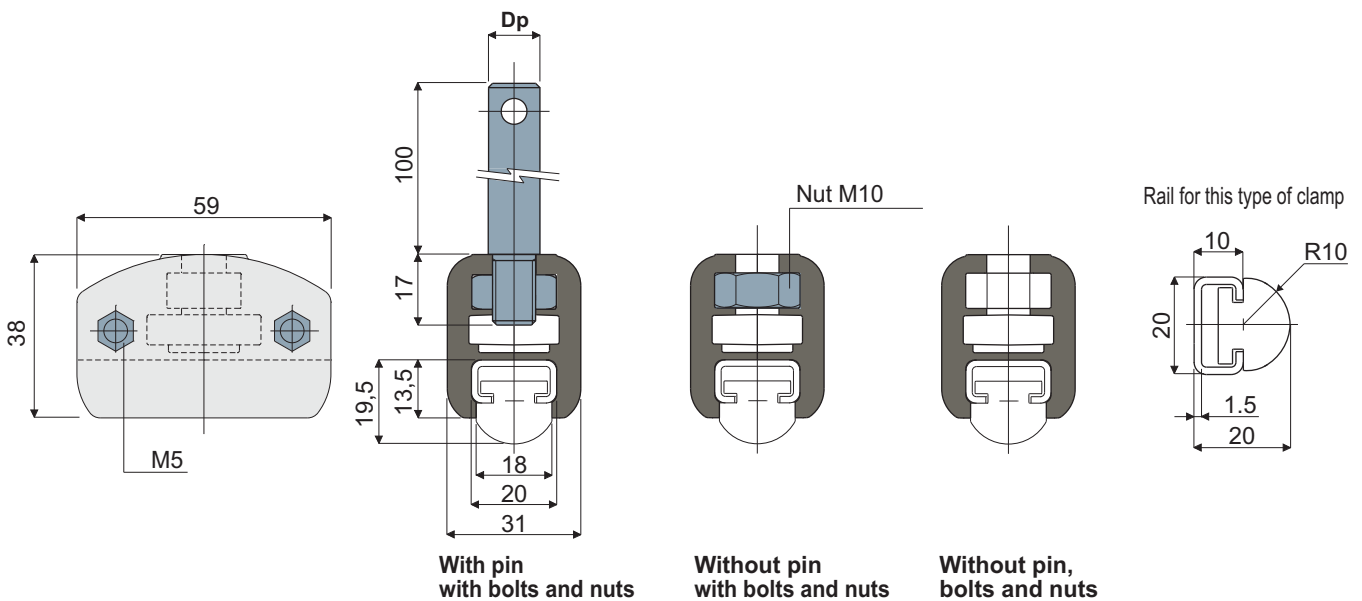
**ON REQUEST:**

- Clamps: In reinforced polypropylene, other colours.
- Box Quantity: According to your request.

# Guide rail clamp

(for rectangular rail)

Part. **290**



Dp Pin diameter (mm)	With pin with bolts and nuts	Without pin with bolts and nuts	Without pin, bolts and nuts
	Code	Code	Code
12	290 / 82573		
14	290 / 82574	290 / 82576	290 / 82577
16	290 / 82575		

**MATERIALS:** Clamp made of reinforced polyamide black colour; pin, screws and nuts made of stainless steel AISI 304.

**FEATURES:** Supplied with or without support pin.

**BOX QUANTITY:** 24 pieces.

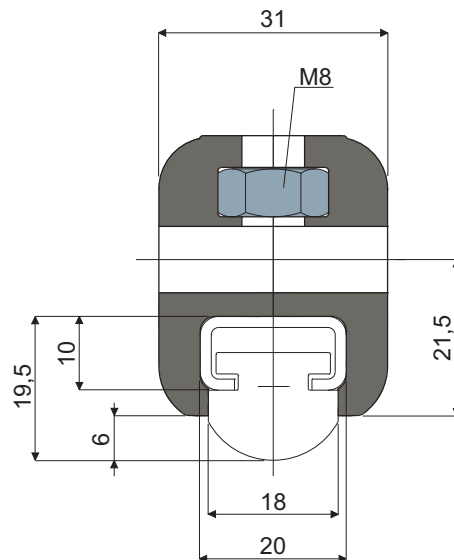
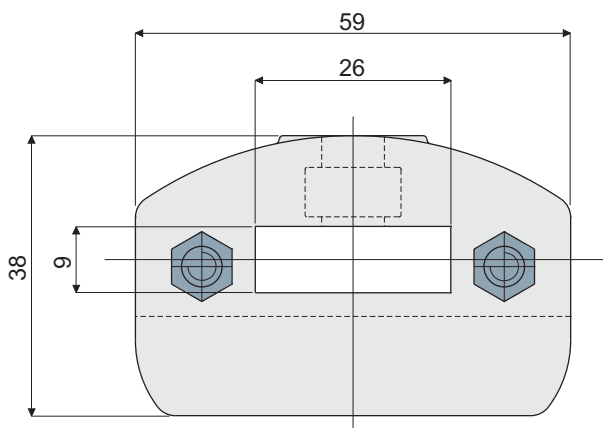
**ON REQUEST:**

- Clamps: In reinforced polypropylene, other colours.
- Box Quantity: According to your request.

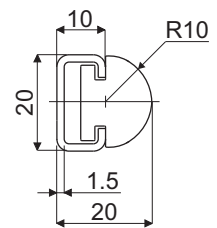
# Guide rail clamp

(for rectangular rail)

Part. **291**



Rail for this type of clamp



Code

291 / 82578

**MATERIALS:** Clamp made of reinforced polyamide black colour; screws and nuts made of stainless steel AISI 304.

**FEATURES:** Supplied assembled. To be used with flat profile with sizes 25x8 mm.

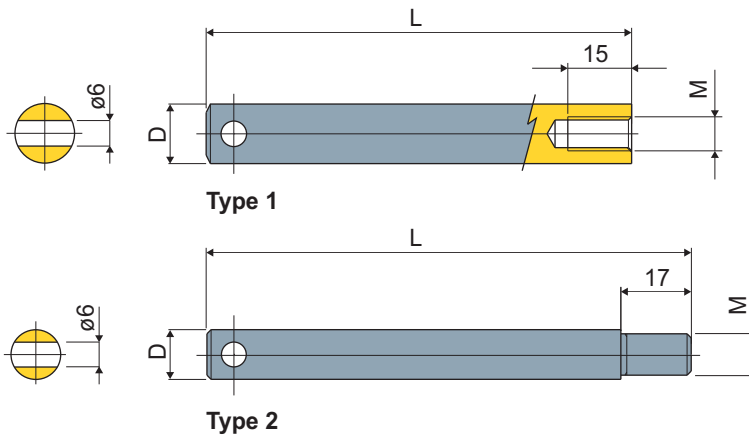
**BOX QUANTITY:** 24 pieces.

**ON REQUEST:**

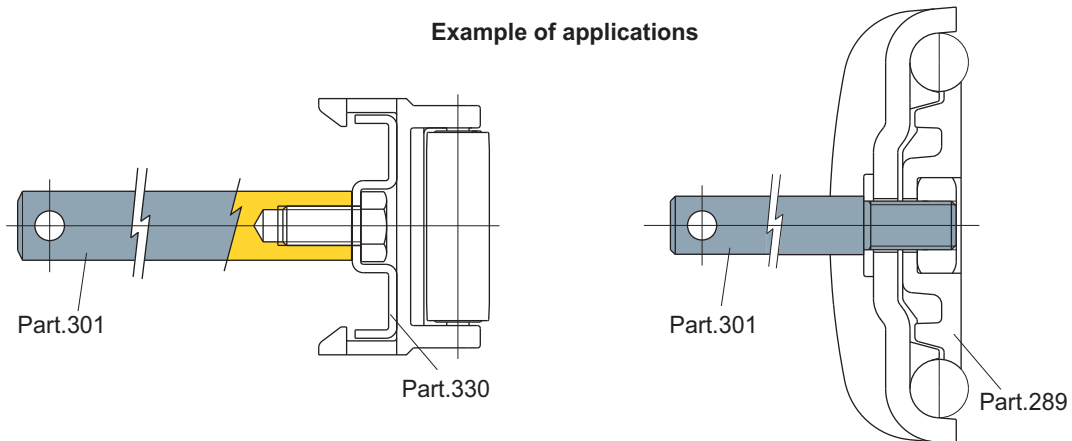
- Clamps: In reinforced polypropylene, other colours.
- Box Quantity: According to your request.

# Threaded pin

## Part. 301



### Example of applications



D (mm)	L (mm)	M (mm)	Type 1 Code
14	100	M8	301 / 82751

D (mm)	L (mm)	M (mm)	Type 2 Code
12	117	M10	301 / 83304
14	117	M10	301 / 83305
16	117	M10	301 / 83306

**MATERIALS:** Pin made of stainless steel AISI 304.

**FEATURES:** Type 1: can be mounted both on guide rail clamps or on side guides;  
Type 2: used for the mounting of Part. 289, 229, 230, 290, 204, 205.

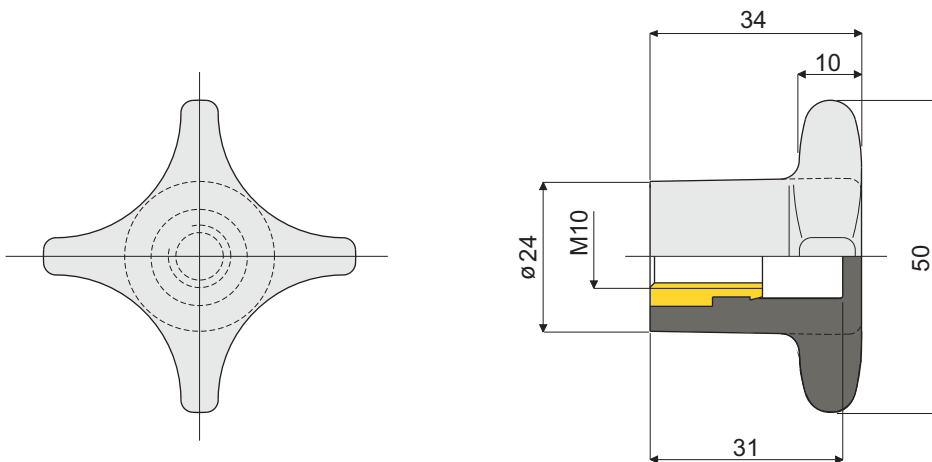
**BOX QUANTITY:** 24 pieces.

**ON REQUEST:**

- Pins: In various lengths.
- Box Quantity: According to your request.

# Knob for bracket

Part. **226**



Code

226 / 80678

**MATERIALS:** Knob made of reinforced polyamide black colour; threaded bushing made of brass.

**FEATURES:** Accessory to be used with heads Part.221 and 266.

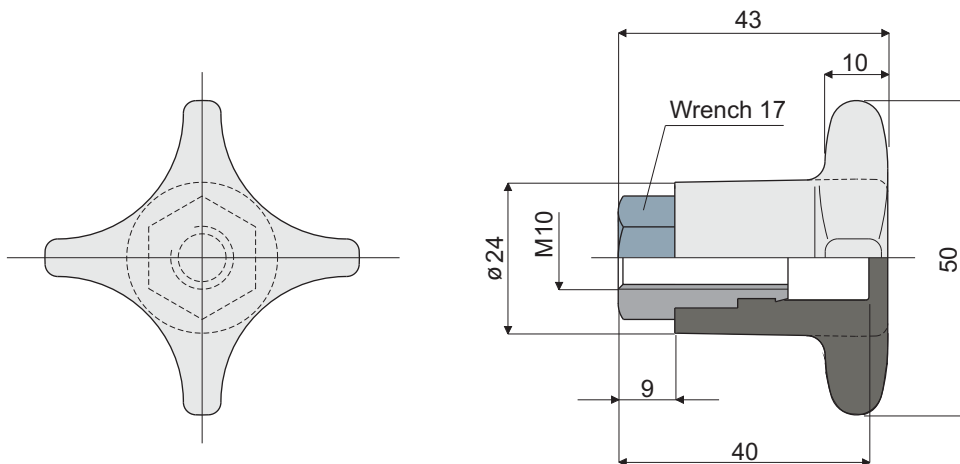
**BOX QUANTITY:** 24 pieces.

**ON REQUEST:**

- Knobs: In reinforced polypropylene, other colours.
- Box Quantity: According to your request.

# Knob for bracket

Part. **227**



Code

227 / 80679

**MATERIALS:** Knob made of reinforced polyamide black colour; threaded bushing made of brass.

**FEATURES:** Accessory to be used with heads Part.221 and 266.

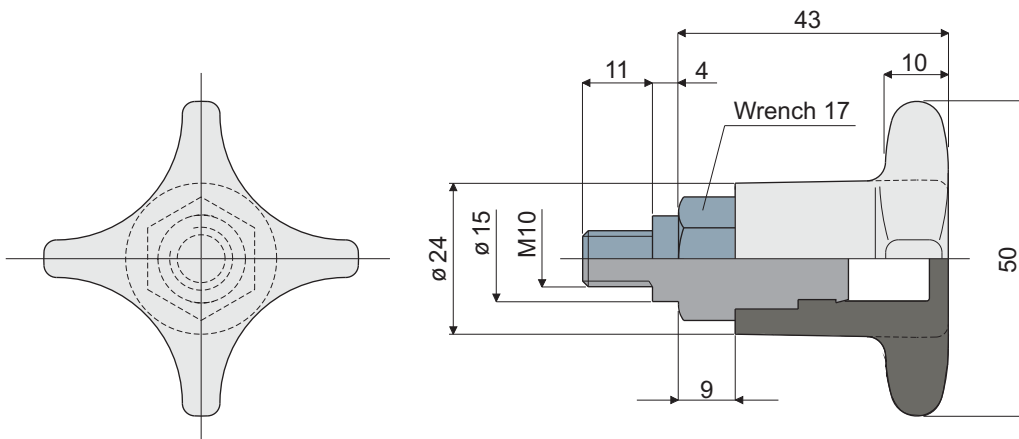
**BOX QUANTITY:** 24 pieces.

**ON REQUEST:**

- Knobs: In reinforced polypropylene, other colours.
- Box Quantity: According to your request.

# Knob for bracket

Part. **228**



Code

228 / 80680

**MATERIALS:** Knob made of reinforced polyamide black colour; threaded bushing made of brass.

**FEATURES:** Accessory to be used with head Part.223.

**BOX QUANTITY:** 24 pieces.

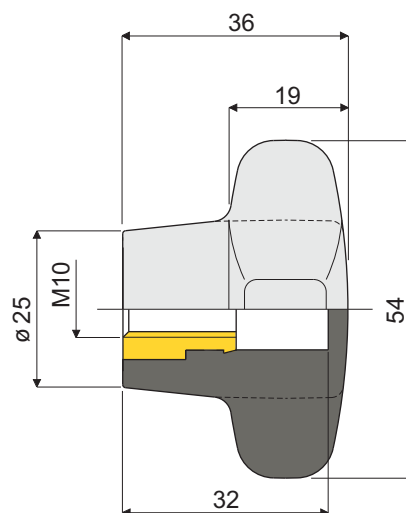
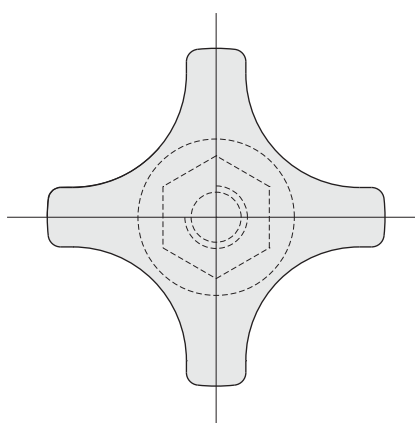
**ON REQUEST:**

- Knobs: In reinforced polypropylene, other colours.
- Box Quantity: According to your request.

# Knob for bracket

(reinforced type)

Part. **246**



Code

246 / 81135

**MATERIALS:** Knob made of reinforced polyamide black colour; threaded bushing is made of brass.

**FEATURES:** Accessory to be applied to our heads Part.221 and Part.266.

**BOX QUANTITY:** 24 pieces.

**ON REQUEST:**

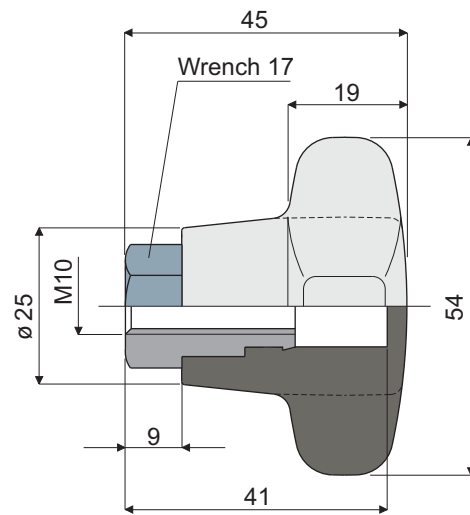
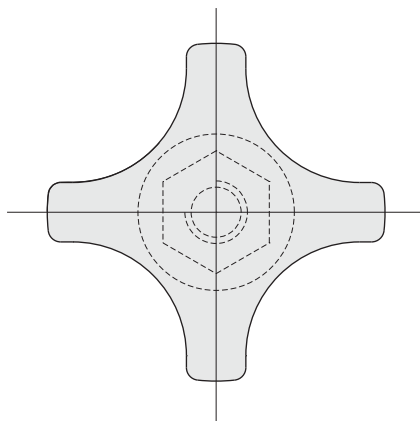
- Knobs: In reinforced polypropylene, other colours.
- Box Quantity: According to your request.



# Knob for bracket

(reinforced type)

Part. **247**



Code
247 / 81137

**MATERIALS:** Knob made of reinforced polyamide black colour; threaded bushing made of nickel plated brass.

**FEATURES:** Accessory to be applied to our heads Part.221 and Part.266.

**BOX QUANTITY:** 24 pieces.

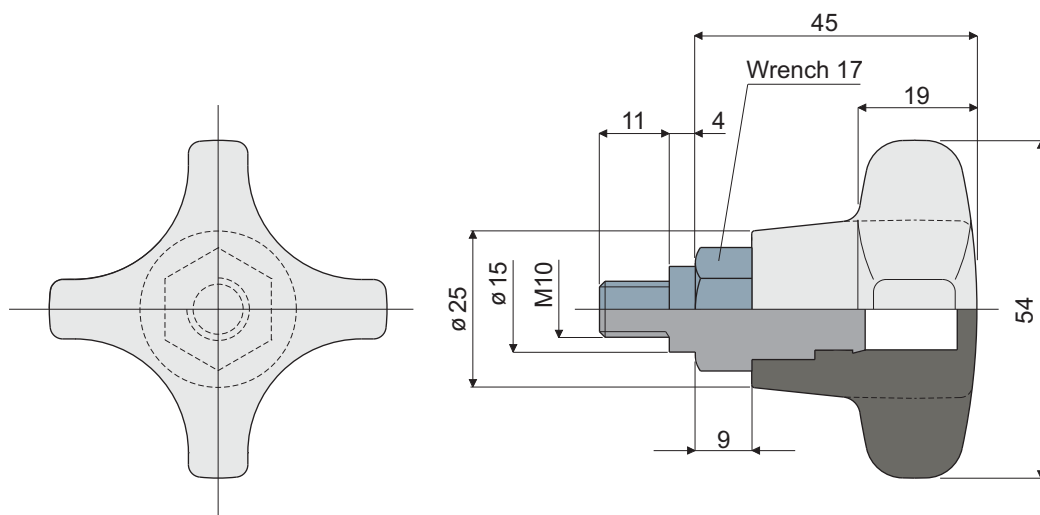
**ON REQUEST:**

- Knobs: In reinforced polypropylene, other colours.
- Box Quantity: According to your request.

# Knob for bracket

(reinforced type)

Part. **248**



Code

248 / 81139

**MATERIALS:** Knob made of reinforced polyamide black colour; threaded insert made of nickel plated brass.

**FEATURES:** Accessory to be applied to our head Part.223.

**BOX QUANTITY:** 24 pieces.

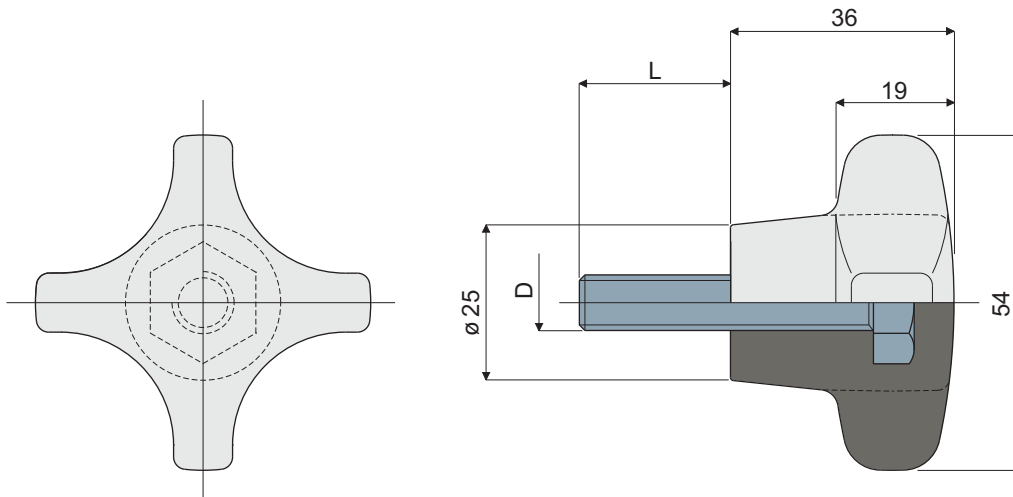
**ON REQUEST:**

- Knobs: In reinforced polypropylene, other colours.
- Box Quantity: According to your request.

# Knob for bracket

(reinforced type)

Part. **294**



D (mm)	L (mm)	Code
M8	22	294 / 82805
M10	22	294 / 82588

**MATERIALS:** Knob made of reinforced polyamide black colour; bolt made of stainless steel AISI 304.

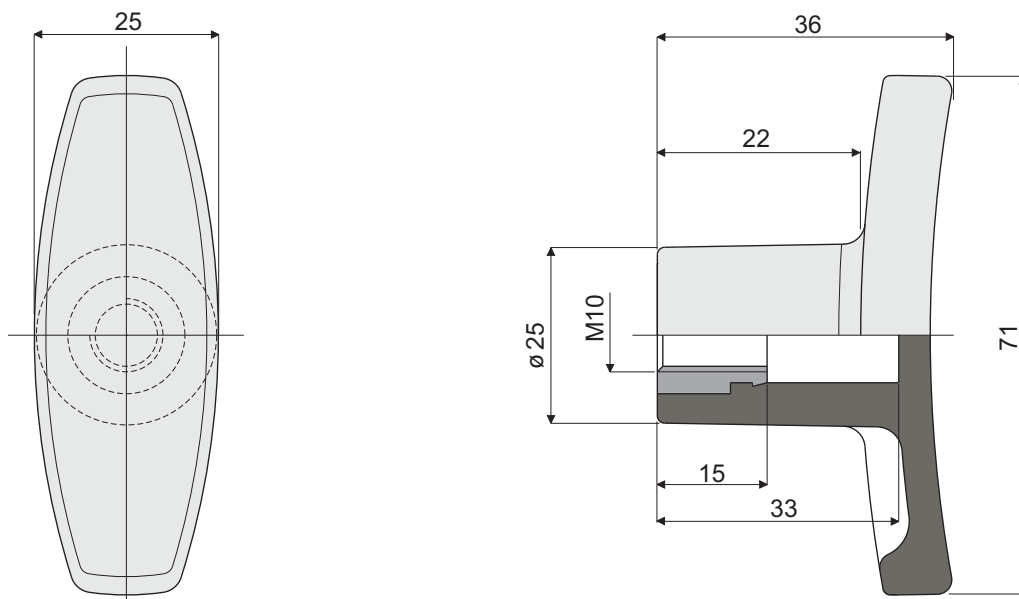
**BOX QUANTITY:** 24 pieces.

**ON REQUEST:**

- **Knobs:** made of reinforced polypropylene, in other colours.
- **Box Quantity:** According to your request.

# "T"- handle

Part. **303**



Code

303 / 82806

**MATERIALS:** Handle is made of reinforced polyamide black colour; threaded bushing is made of nickel plated brass.

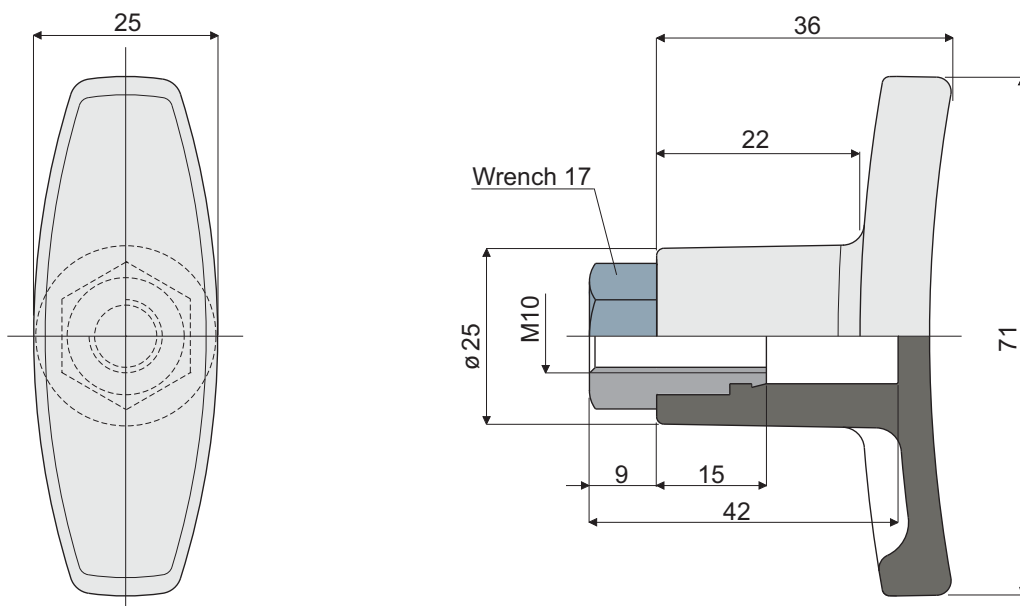
**BOX QUANTITY:** 24 pieces.

**ON REQUEST:**

- **Handles:** made of reinforced polypropylene, other colours.
- **Box Quantity:** According to your request.

# "T"- handle

Part. **304**



Code

304 / 82807

**MATERIALS:** Handle is made of reinforced polyamide black colour; threaded bushing is made of nickel plated brass.

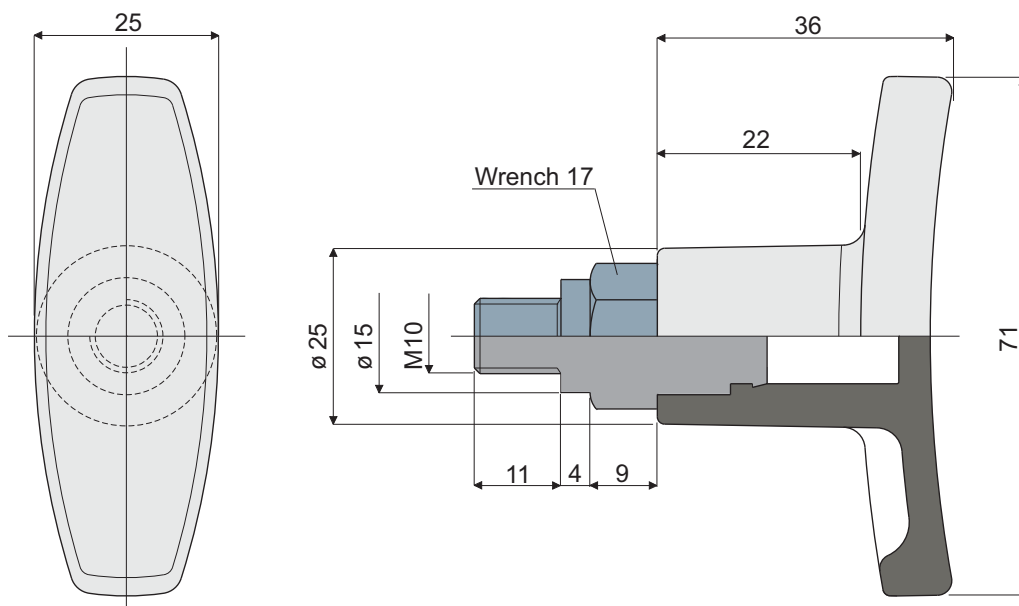
**BOX QUANTITY:** 24 pieces.

**ON REQUEST:**

- **Handles:** made of reinforced polyproylene, other colours.
- **Box Quantity:** According to your request.

# "T"- handle

Part. **305**



Code

305 / 82808

**MATERIALS:** Handle is made of reinforced polyamide black colour; threaded bushing is made of nickel plated brass.

**BOX QUANTITY:** 24 pieces.

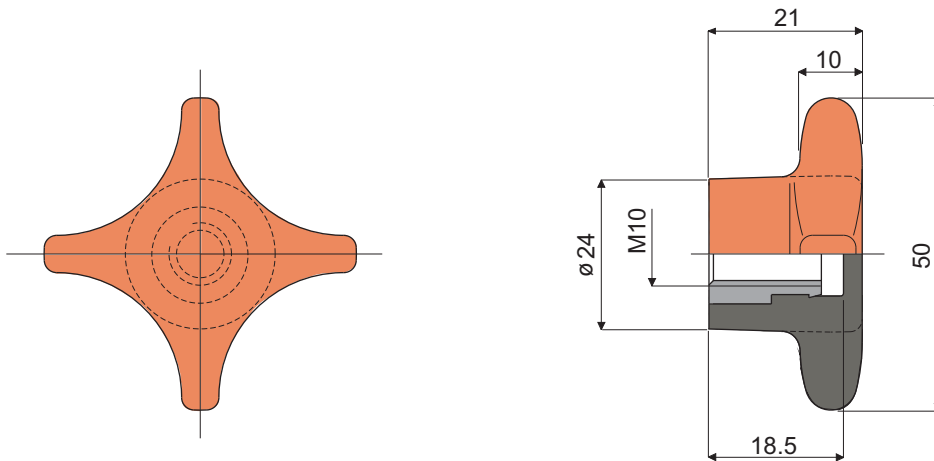
**ON REQUEST:**

- **Handles:** made of reinforced polyproylene, other colours.
- **Box Quantity:** According to your request.

# Knob for bracket

(short type)

Part. **313**



Code

313 / 82848

**MATERIALS:** Knob made of reinforced polyamide orange colour; threaded bushing made of nickel plated brass.

**FEATURES:** Accessory to be used with heads Part.221 and 266.

**BOX QUANTITY:** 24 pieces.

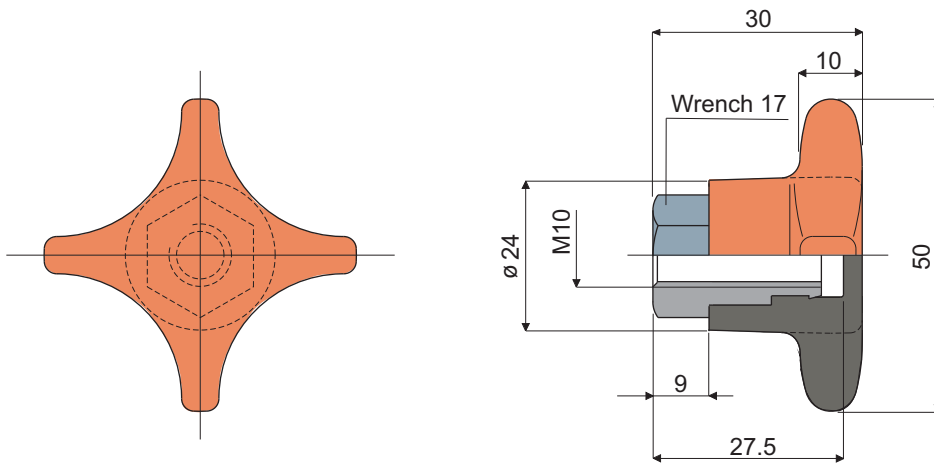
**ON REQUEST:**

- Knobs: In reinforced polypropylene, other colours.
- Box Quantity: According to your request.

# Knob for bracket

(short type)

Part. **314**



Code

314 / 82849

**MATERIALS:** Knob made of reinforced polyamide orange colour; threaded bushing made of nickel plated brass.

**FEATURES:** Accessory to be used with heads Part.221 and 266.

**BOX QUANTITY:** 24 pieces.

**ON REQUEST:**

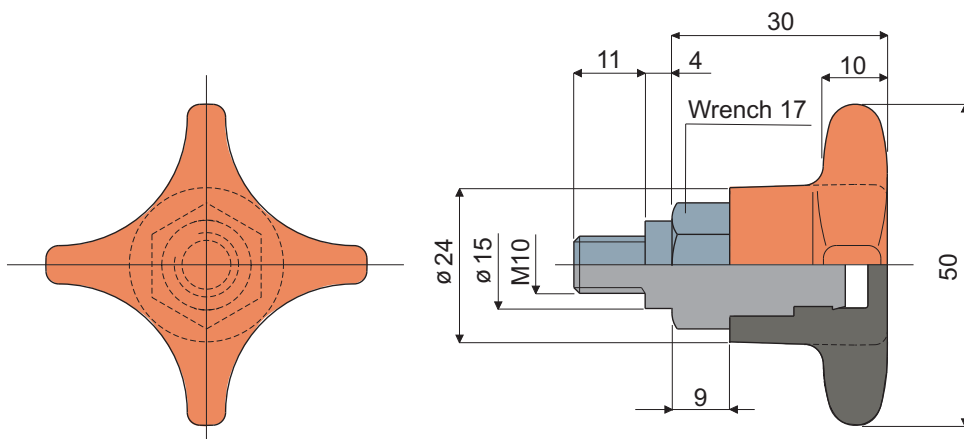
- Knobs: In reinforced polypropylene, other colours.
- Box Quantity: According to your request.



# Knob for bracket

(short type)

Part. **315**



Code

315 / 82850

**MATERIALS:** Knob made of reinforced polyamide orange colour; threaded bushing made of nickel plated brass.

**FEATURES:** Accessory to be used with head Part.223.

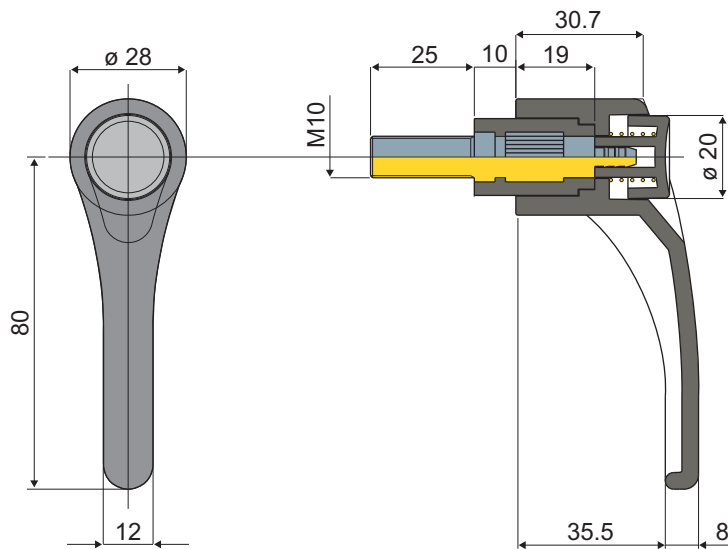
**BOX QUANTITY:** 24 pieces.

**ON REQUEST:**

- Knobs: In reinforced polypropylene, other colours.
- Box Quantity: According to your request.

# Ratchet handle clamping

Part. **332**



Code

332 / 83113

**MATERIALS:** Handle made of reinforced polyamide black colour with push button in orange colour; threaded insert made of zinc plated steel.

**BOX QUANTITY:** 24 pieces.

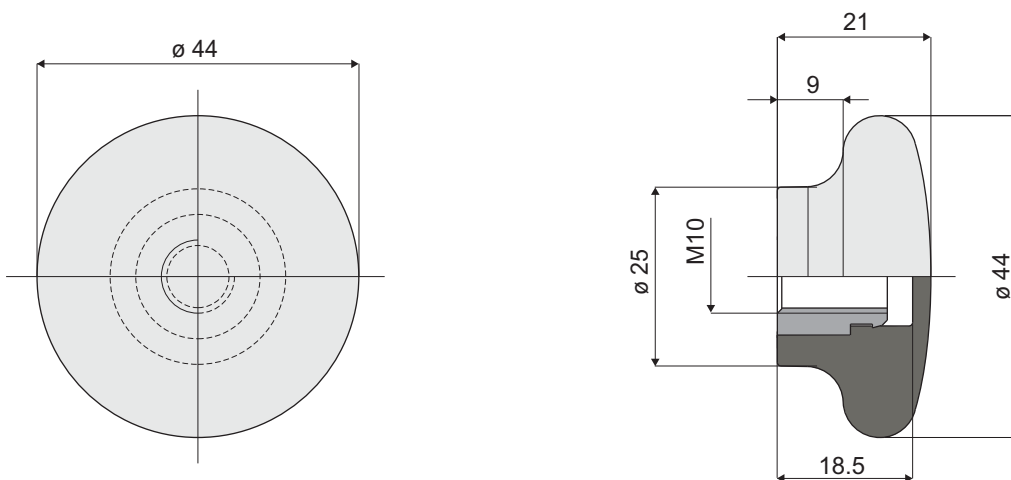
**ON REQUEST:**

- **Handles:** With threaded inserts M8, M10, M12, with different lengths; also available in stainless steel AISI 304.
- **Box Quantity:** According to your request.

# Round handle

( $\varnothing$  44 mm)

Part. **334**



Code

334 / 83116

**MATERIALS:** Handle made of reinforced polyamide black colour; threaded bushing made of nickel plated brass.

**FEATURES:** Accessory to be used with heads Part.221 and 266.

**BOX QUANTITY:** 24 pieces.

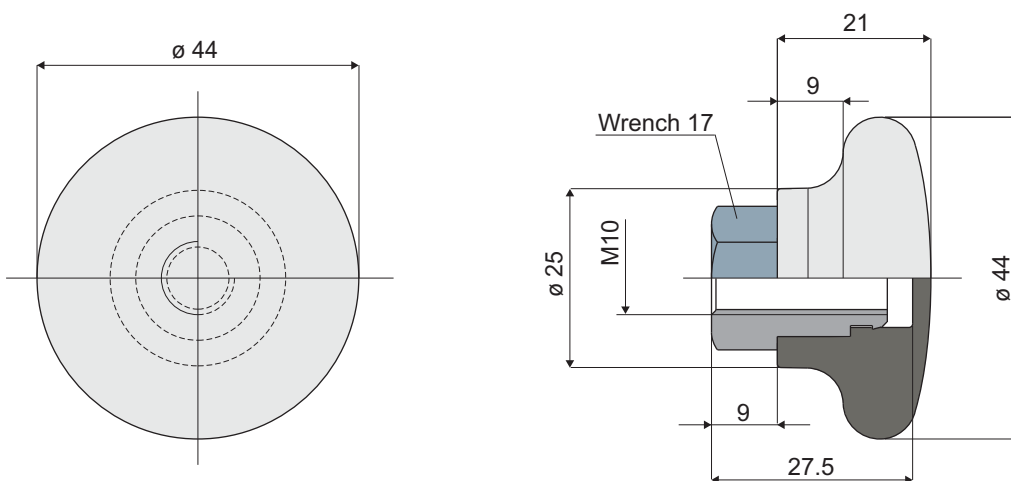
**ON REQUEST:**

- **Handles:** In reinforced polypropylene, other colours.
- **Box Quantity:** According to your request.

# Round handle

( $\varnothing$  44 mm)

Part. **337**



Code

337 / 83302

**MATERIALS:** Handle made of reinforced polyamide black colour; threaded bushing made of nickel plated brass.

**FEATURES:** Accessory to be used with heads Part.221 and 266.

**BOX QUANTITY:** 24 pieces.

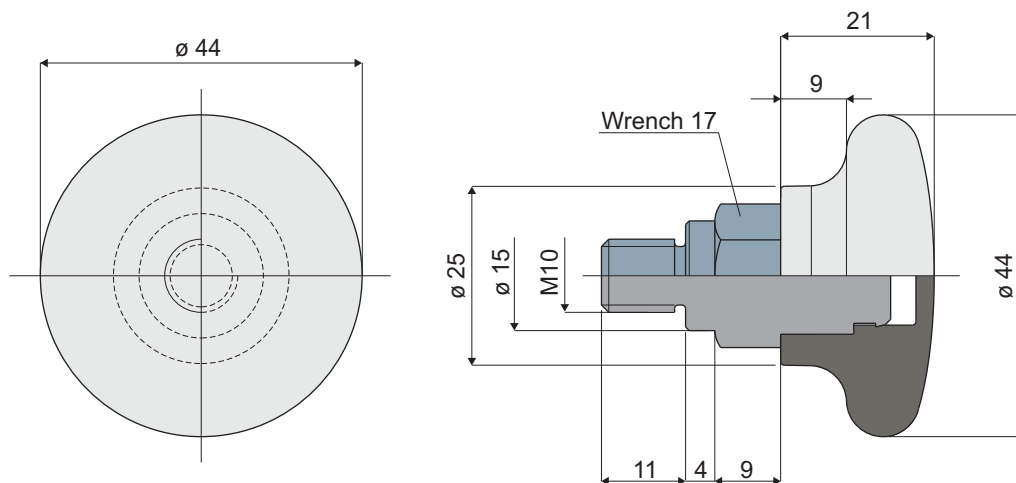
**ON REQUEST:**

- Handles: In reinforced polypropylene, other colours.
- Box Quantity: According to your request.

# Round handle

( $\varnothing$  44 mm)

Part. **338**



Code

338 / 83303

**MATERIALS:** Handle made of reinforced polyamide black colour; threaded bushing made of nickel plated brass.

**FEATURES:** Accessory to be used with head Part.223.

**BOX QUANTITY:** 24 pieces.

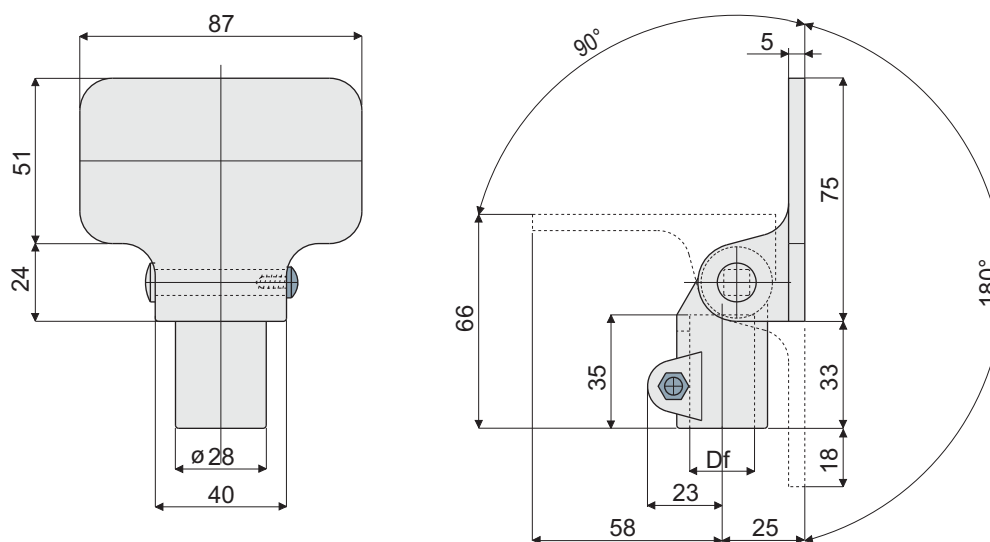
**ON REQUEST:**

- **Handles:** In reinforced polypropylene, other colours.
- **Box Quantity:** According to your request.

# Clamp support for photocells

(for photocells and reflectors)

Part. **206**



Df Bore for pin of (mm)	Code
12	206 / 82010 (can be used also with square pins 10x10)
14	206 / 80818
15	206 / 80819
16	206 / 80820
18	206 / 80821
20	206 / 80822

**MATERIALS:** Clamp made of reinforced polyamide black colour; bolts and nuts made of stainless steel AISI 304.

**FEATURES:** Possibility of assembly in various positions.

**BOX QUANTITY:** 24 pieces.

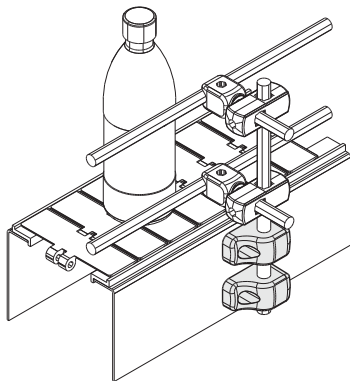
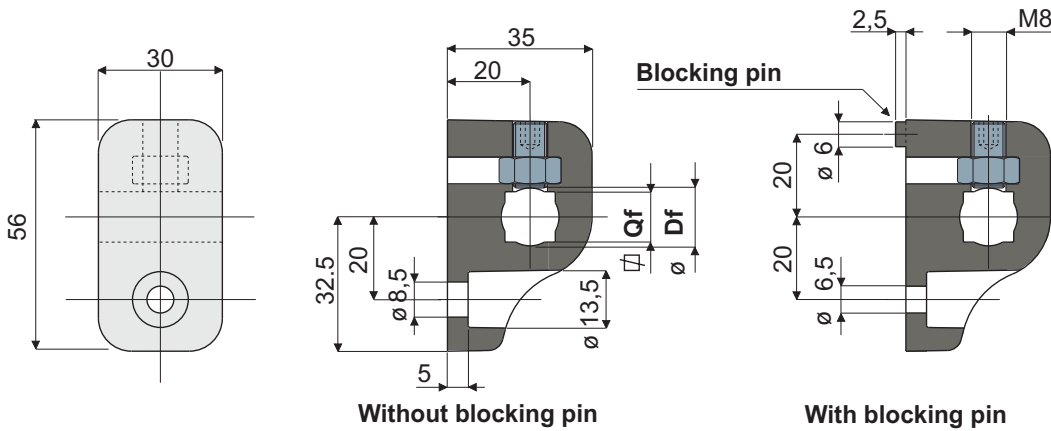
**ON REQUEST:**

- Clamps: In reinforced polypropylene, other colours.
- Box Quantity: According to your request.

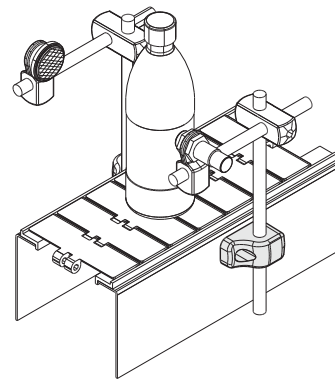
# Clamp

(to support rails and photocells)

Part. **237**



**Without blocking pin** (Suitable to support guide)



**With blocking pin** (Suitable to support photocells)

Bore for pin of		Without blocking pin	With blocking pin
Df round (mm)	Qf square (mm)		
10	8	Code 237 / 80958	Code 237 / 80961
12	10	Code 237 / 80959	Code 237 / 80962
14	12	Code 237 / 80960	Code 237 / 80963

**MATERIALS:** Clamp made of reinforced polyamide black colour; screw and nuts made of stainless steel AISI 304.

**FEATURES:** This part can be used with round and square pins either.

**BOX QUANTITY:** 24 pieces.

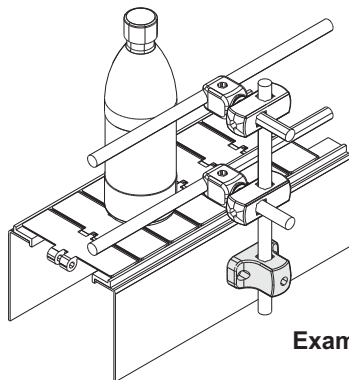
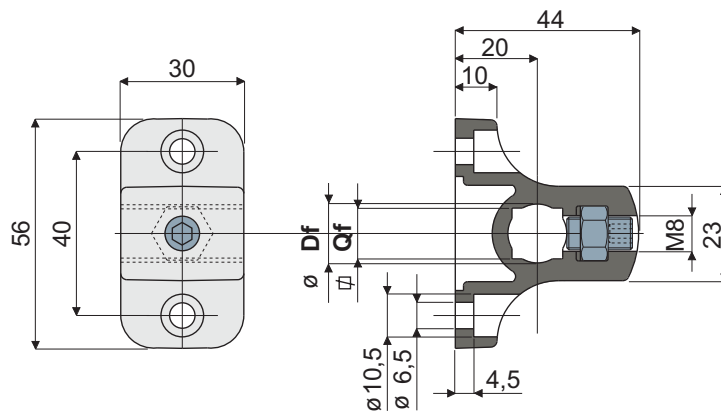
**ON REQUEST:**

- **Clamps:** With different bores sizes, in reinforced polypropylene, other colours.
- **Box Quantity:** According to your request.

# "T" clamp

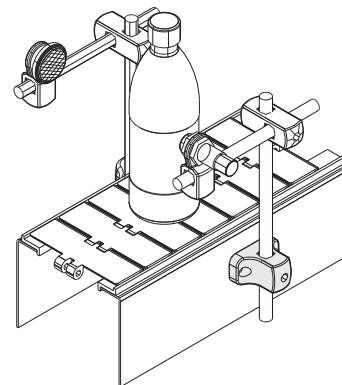
(to support rails and photocells)

Part. **238**



To support guide

Example of applications



To support photocells

Bore for pin of		Code
Df round (mm)	Qf square (mm)	
10	8	238 / 80985
12	10	238 / 80986
14	12	238 / 80987

**MATERIALS:** Clamp made of reinforced polyamide black colour; screw and nuts made of stainless steel AISI 304.

**FEATURES:** This part can be used with round and square pins either.

**BOX QUANTITY:** 24 pieces.

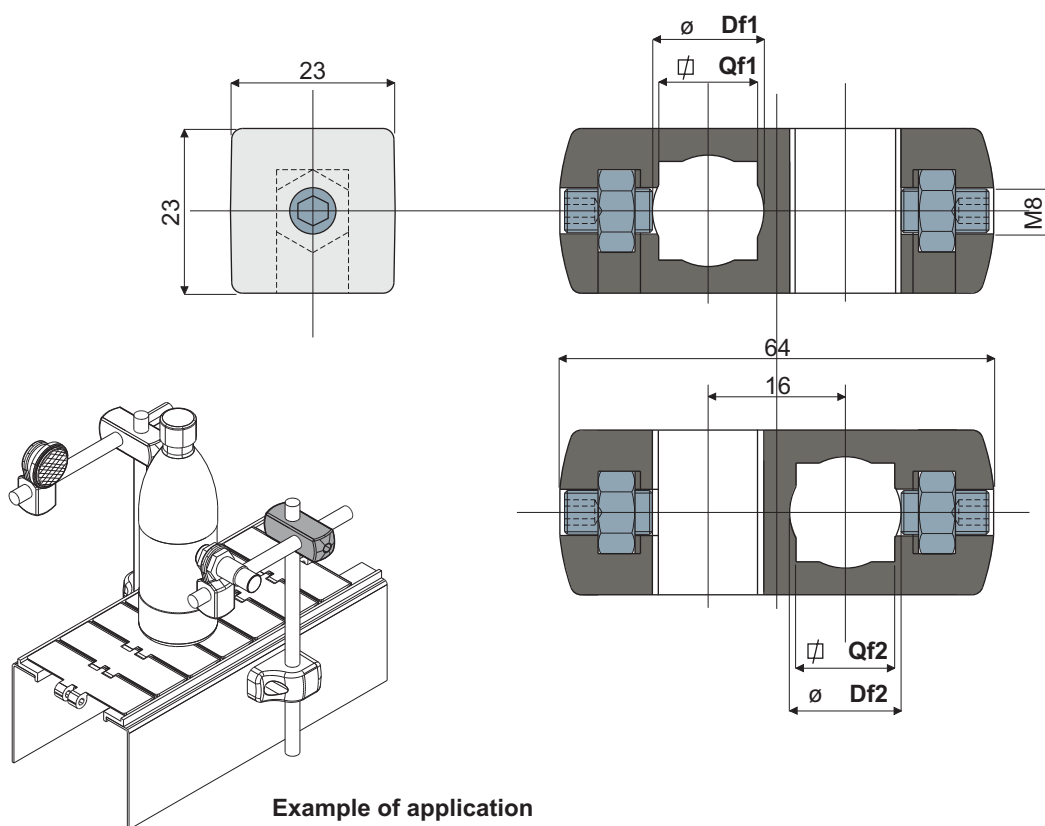
**ON REQUEST:**

- **Clamps:** With different bores sizes, in reinforced polypropylene, other colours.
- **Box Quantity:** According to your request.



# Cross clamp

Part. **239**



Example of application

Bore for pin of		Bore for pin of		Code
Df1 round (mm)	Qf1 square (mm)	Df2 round (mm)	Qf2 square (mm)	
10	8	10	8	239 / 80993
12	10	12	10	239 / 80994
14	12	14	12	239 / 80995

**MATERIALS:** Clamp made of reinforced polyamide black colour; screws and nuts made of stainless steel AISI 304.

**FEATURES:** This part can be used with round and square pins either.

**BOX QUANTITY:** 24 pieces.

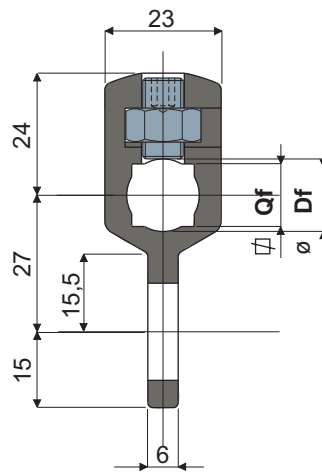
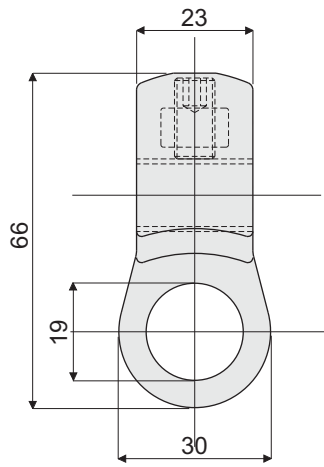
**ON REQUEST:**

- **Clamps:** With different bores sizes, in reinforced polypropylene, other colours.
- **Box Quantity:** According to your request.

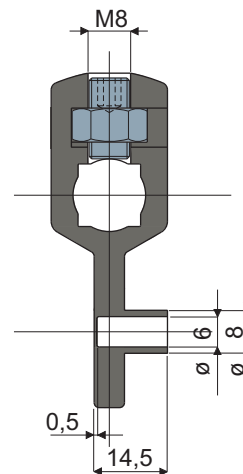
# Clamp support for photocells

(for photocells and reflectors)

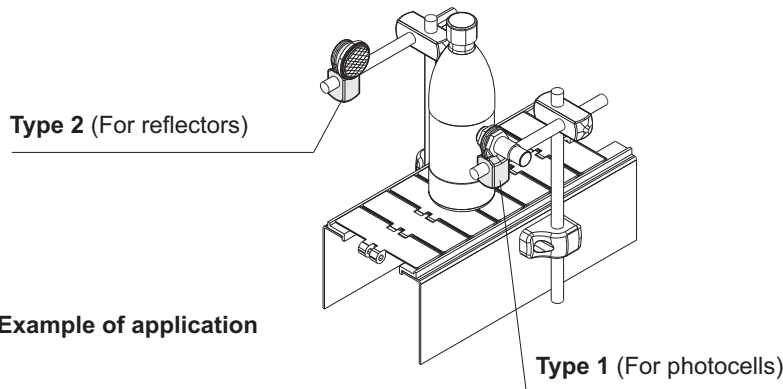
Part. **240**



**Type 1** (For photocells)



**Type 2** (For reflectors)



**Type 2** (For reflectors)

**Example of application**

**Type 1** (For photocells)

Bore for pin of		Type 1 (for photocells)	Type 2 (for reflectors)
Df round (mm)	Qf square (mm)	Code	Code
10	8	240 / 80996	240 / 80997
12	10	240 / 80998	240 / 80999
14	12	240 / 81000	240 / 81001

**MATERIALS:** Clamp made of reinforced polyamide black colour; screw and nuts made of stainless steel AISI 304.

**FEATURES:** This part can be used with round and square pins either.

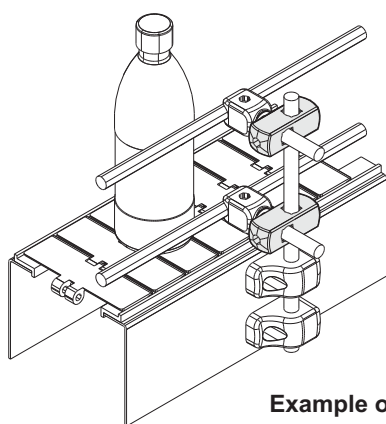
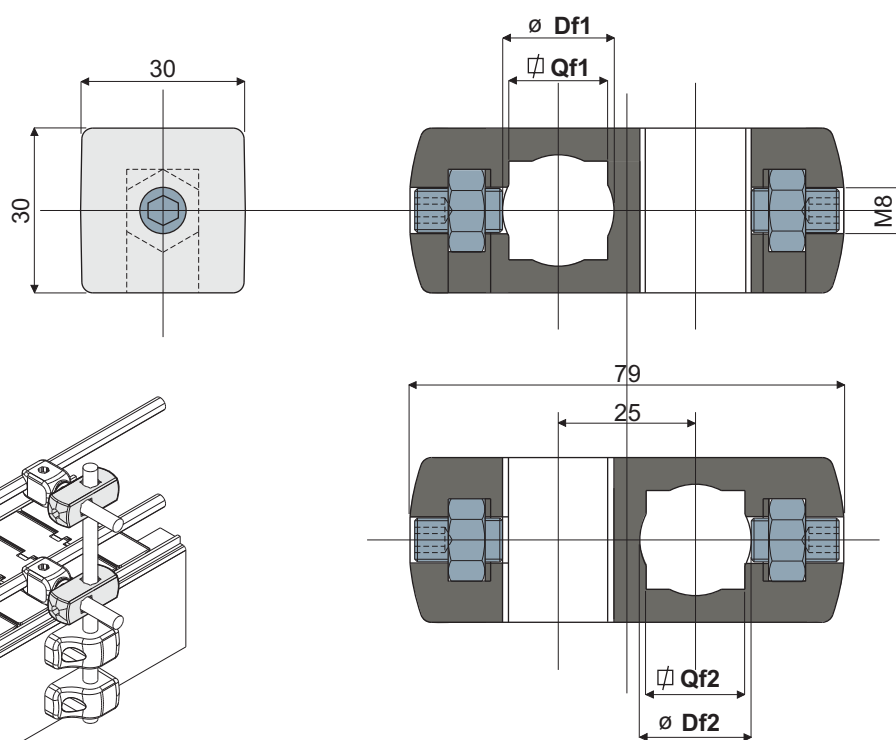
**BOX QUANTITY:** 24 pieces.

**ON REQUEST:**

- **Clamps:** In reinforced polypropylene, other colours.
- **Box Quantity:** According to your request.

# Cross clamp

Part. **241**



Example of application

Bore for pin of		Bore for pin of		Code
Df1 round (mm)	Qf1 square (mm)	Df2 round (mm)	Qf2 square (mm)	
14	12	14	12	241 / 80988
15	-	15	-	241 / 80989
16	-	16	-	241 / 80990
18	-	18	-	241 / 80991
20	-	20	-	241 / 80992

**MATERIALS:** Clamp made of reinforced polyamide black colour; screws and nuts made of stainless steel AISI 304.

**FEATURES:** This part can be used with round and square pins either, only in the version Df1 14.

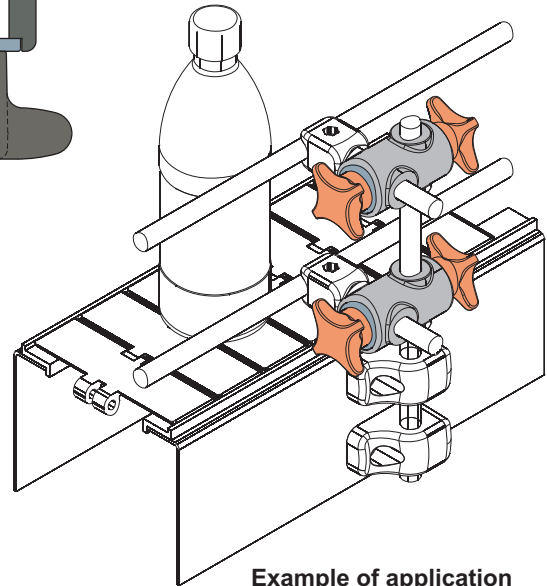
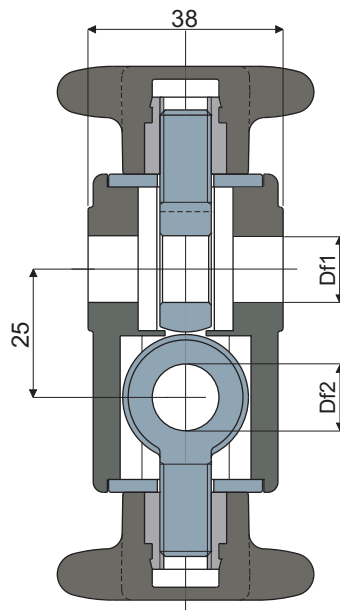
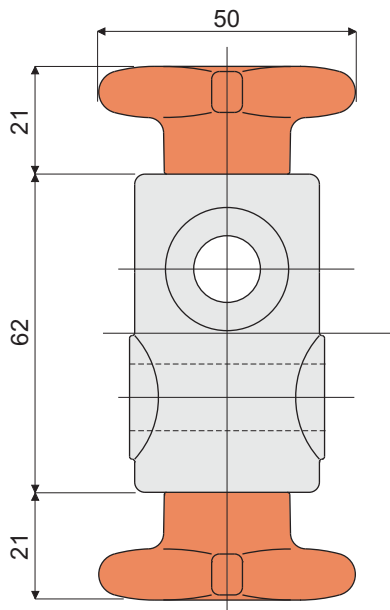
**BOX QUANTITY:** 24 pieces.

**ON REQUEST:**

- **Clamps:** With different bores sizes, in reinforced polypropylene, other colours.
- **Box Quantity:** According to your request.

# Cross block

Part. **297**



Df1 Bore for pin of (mm)	Df2 Bore for pin of (mm)	Code
12	12	297 / 82658

**MATERIALS:** Housing in reinforced polyamide black colour and knob in reinforced polyamide orange colour; eyebolts in stainless steel AISI 304; threaded insert in nickel plated brass.

**FEATURES:** To be used to support the rail-holder pins.

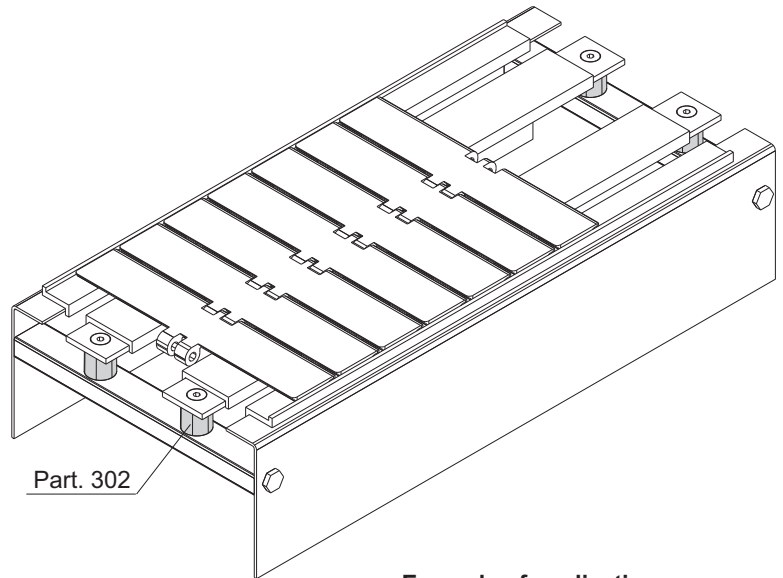
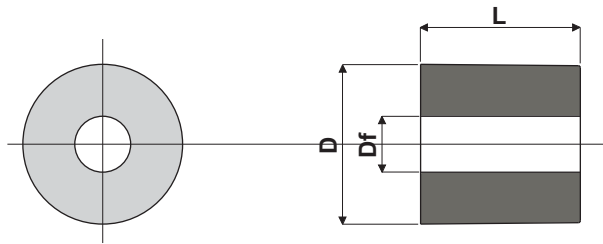
**BOX QUANTITY:** 24 pieces.

**ON REQUEST:**

- **Housings and Knobs:** in reinforced polyproylene, other colours.
- **Box Quantity:** According to your request.

# Spacer for chain profiles

Part. **302**



Example of application

Df Bore diameter (mm)	D (mm)	L (mm)	Code
7	20	20	302 / 82797
7	20	27,5	302 / 82873

**MATERIALS:** Spacer made of reinforced polyamide black colour.

**FEATURES:** To be used as fixing spacer for chain profiles.

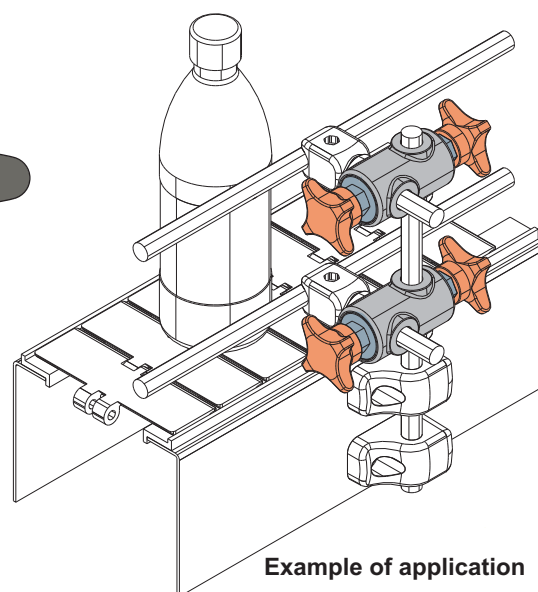
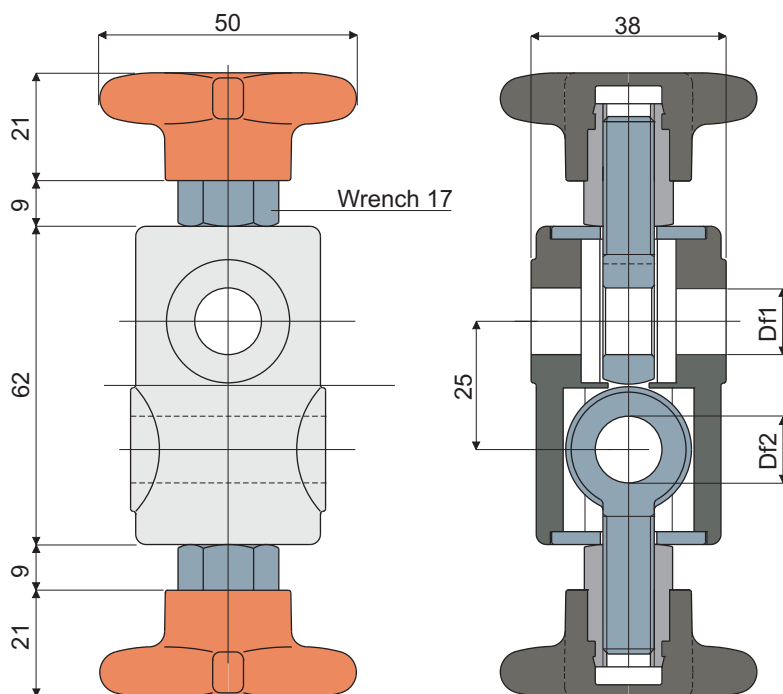
**BOX QUANTITY:** 96 pieces.

**ON REQUEST:**

- Spacers: With special bores and sizes.
- Box Quantity: According to your request.

# Cross block

Part. **312**



Df1 Bore for pin of (mm)	Df2 Bore for pin of (mm)	Code
12	12	312 / 82845
14	14	312 / 82846
16	16	312 / 82847

**MATERIALS:** Housing in reinforced polyamide black colour and knob in reinforced polyamide orange colour; eyebolts in stainless steel AISI 304; threaded insert in nickel plated brass.

**FEATURES:** To be used to support the rail-holder pins.

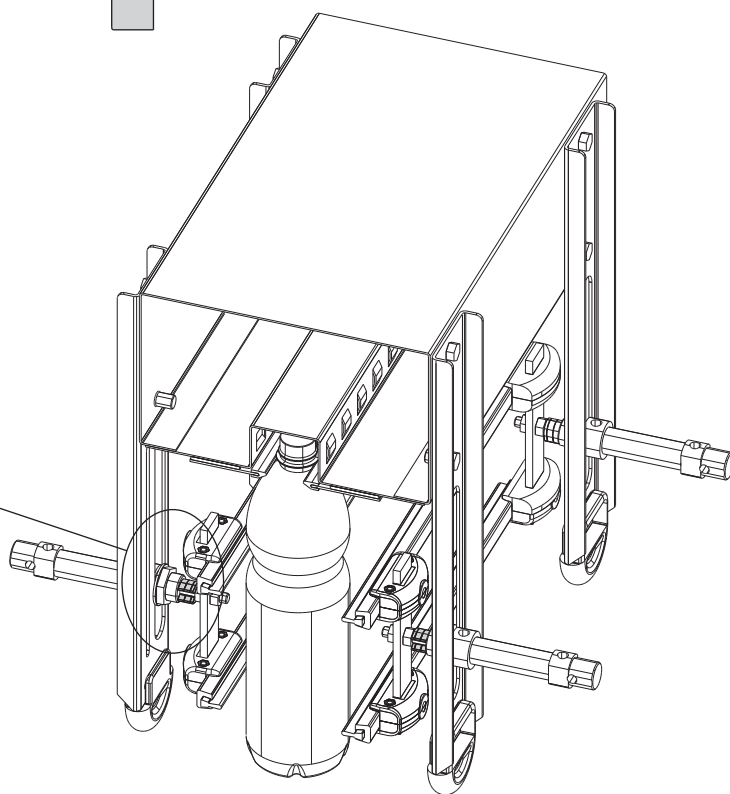
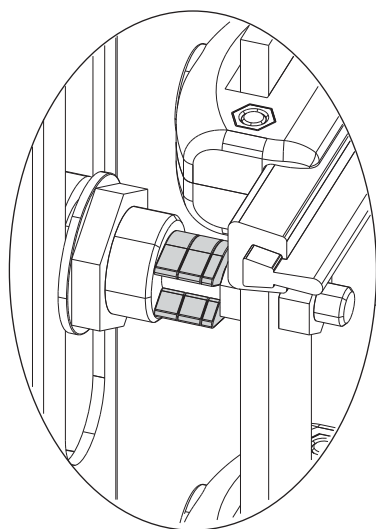
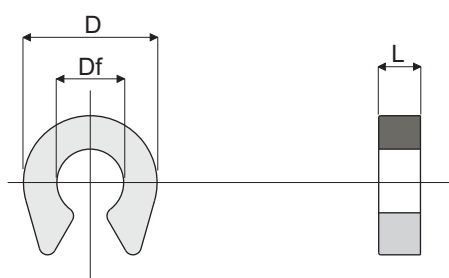
**BOX QUANTITY:** 24 pieces.

**ON REQUEST:**

- **Housings and Knobs:** in reinforced polypropylene, other colours.
- **Box Quantity:** According to your request.

# Spacer for rail-holder cylinder

Part. **316**



Example of application

Df Bore diameter (mm)	D (mm)	L (mm)	Code
8	16	2,5	316 / 82871
8	16	5	316 / 82872

**MATERIALS:** Spacer made of polyamide black colour.

**FEATURES:** To be used as spacer for the stroke regulation of rail-holder pneumatic cylinder.

**BOX QUANTITY:** 96 pieces.

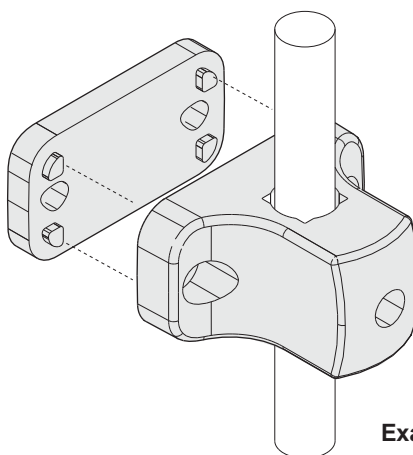
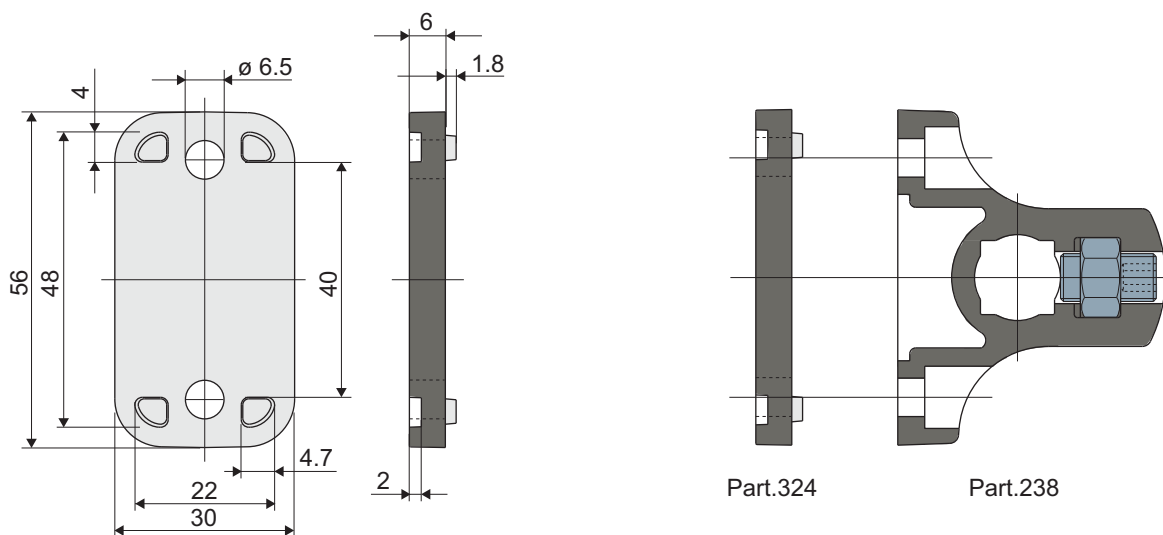
**ON REQUEST:**

- Spacers: With special bores and sizes.
- Box Quantity: According to your request.

# Spacer for clamp

(for "T" clamp Part. 238)

Part. **324**



Example of application

Code

324 / 82971

**MATERIALS:** Spacer made of reinforced polyamide black colour.

**FEATURES:** Accessory to be applied to "T" clamp Part.238.

**BOX QUANTITY:** 24 pieces.

**ON REQUEST:**

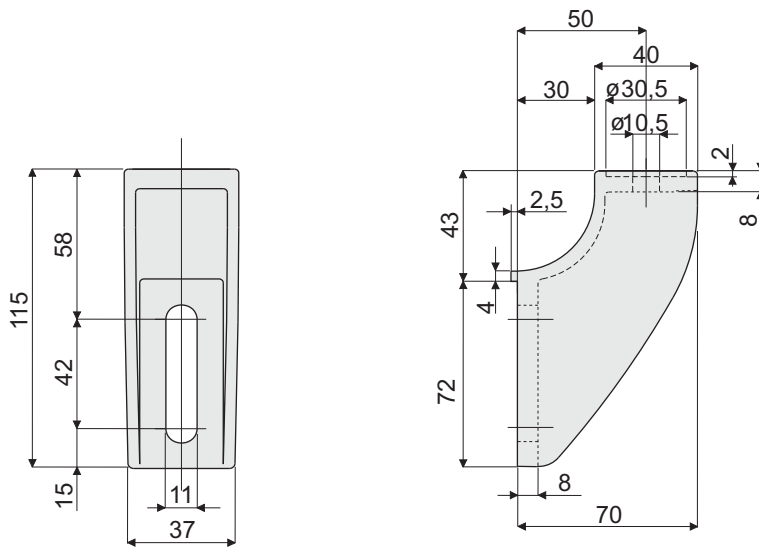
- Spacers: In reinforced polypropylene, other colours.
- Box Quantity: According to your request.



# Guide rail bracket

(for adjustable heads)

Part. **209**



Code

209 / 80754

**MATERIALS:** Bracket made out of reinforced polyamide black colour.

**FEATURES:** To be used with heads Part.221, 222, 223 and 266.

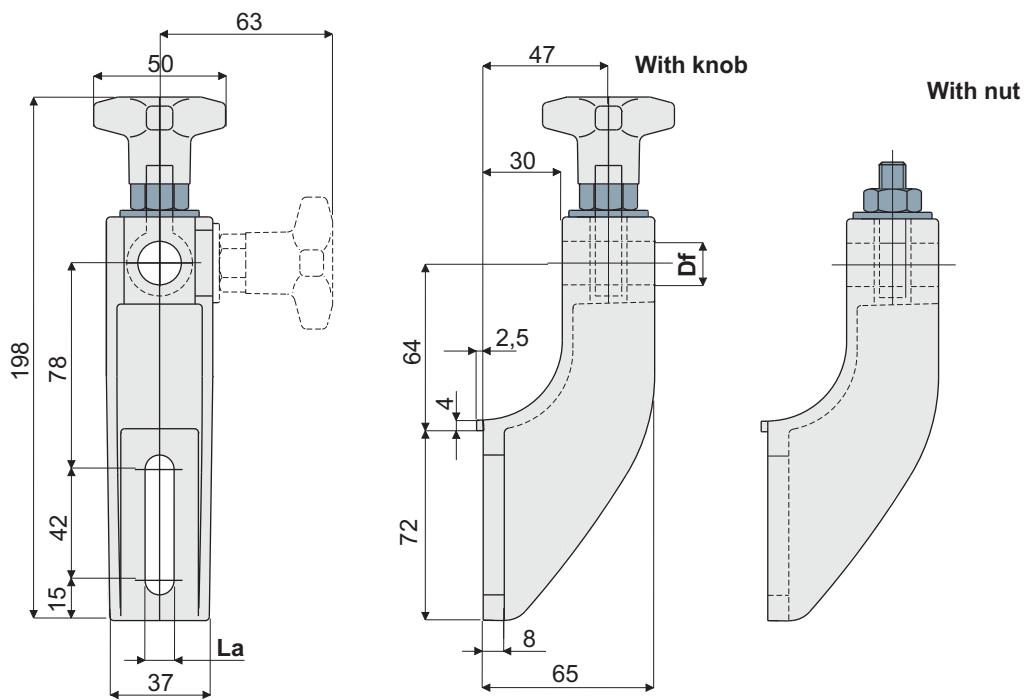
**BOX QUANTITY:** 24 pieces.

**ON REQUEST:**

- Brackets: In reinforced polypropylene, other colours.
- Box Quantity: According to your request.

# Guide rail bracket

Part. **213**



La (9 mm slot)		
Df	With knob	With nut
Bore for pin of (mm)	Code	Code
12	213 / 81176	213 / 82105
14	213 / 82102	213 / 82107
16	213 / 82104	213 / 82109

La (11 mm slot)		
Df	With knob	With nut
Bore for pin of (mm)	Code	Code
12	213 / 80652	213 / 80653
14	213 / 80654	213 / 80655
16	213 / 80656	213 / 80657

**MATERIALS:** Bracket and knob made of reinforced polyamide black colour; hexagonal insert made of nickel plated brass; eyebolt, nut and washer made of stainless steel AISI 304.

**FEATURES:** Max tightening torque 4 Kg·m.

**BOX QUANTITY:** 24 pieces.

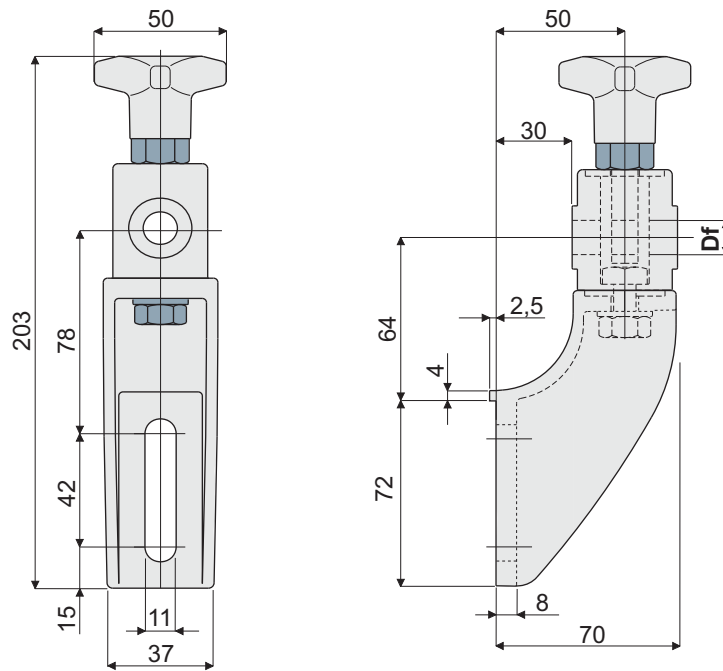
**ON REQUEST:**

- Brackets: In reinforced polypropylene, other colours.
- Box Quantity: According to your request.

# Guide rail bracket

(with adjustable head)

Part. **214**



Df Bore for pin of (mm)	Code
12	214 / 80755
14	214 / 80756
16	214 / 80757

**MATERIALS:** Bracket and knob made of reinforced polyamide black colour; hexagonal insert made of nickel plated brass; eyebolt, nut and washer made of stainless steel AISI 304.

**FEATURES:** Max tightening torque 4 Kg·m.

**BOX QUANTITY:** 24 pieces.

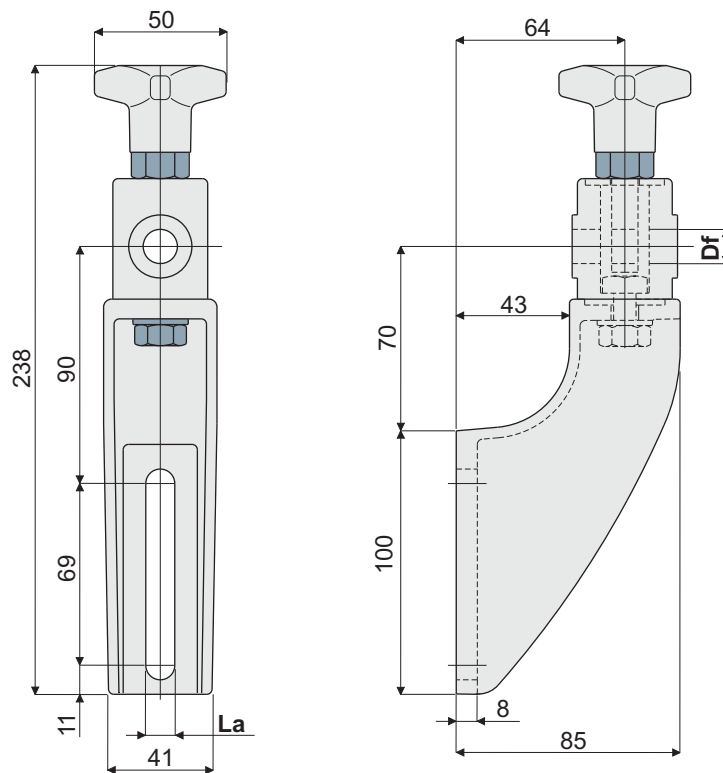
**ON REQUEST:**

- **Brackets:** In reinforced polypropylene, other colours.
- **Box Quantity:** According to your request.

# Guide rail bracket

(with adjustable head)

Part. **215**



Df Bore for pin of (mm)	La (9 mm slot) Code	La (11 mm slot) Code
12	215 / 82106	215 / 80658
14	215 / 82108	215 / 80659
16	215 / 82110	215 / 80660

**MATERIALS:** Bracket and knob made of reinforced polyamide black colour; hexagonal insert made of nickel plated brass; eyebolt, nut and washer made of stainless steel AISI 304.

**FEATURES:** Max tightening torque 4 Kg.m.

**BOX QUANTITY:** 24 pieces.

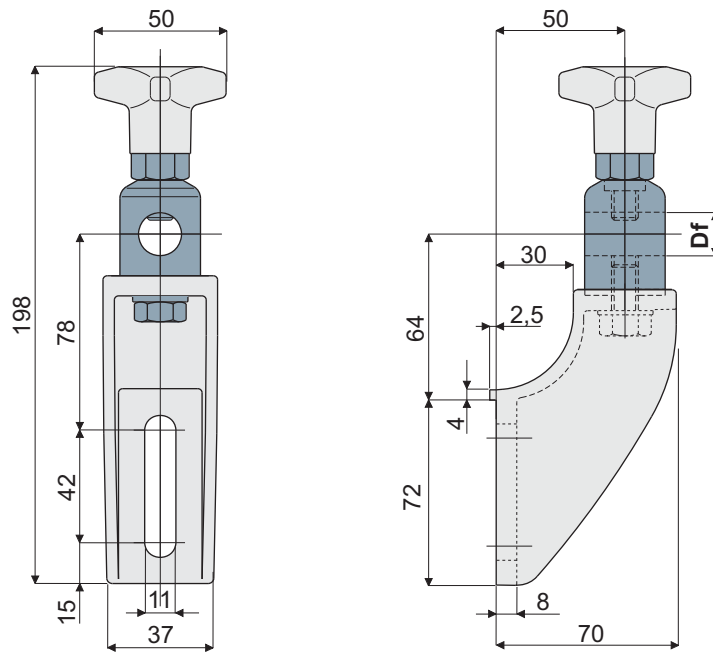
**ON REQUEST:**

- **Brackets:** In reinforced polypropylene, other colours.
- **Box Quantity:** According to your request.

# Guide rail bracket

(with metal adjustable head)

Part. **216**



Df Bore for pin of (mm)	Head made out of nickel plated brass Code	Head made out of stainless steel AISI 304 Code
14 - 16	216 / 80758	216 / 80759

**MATERIALS:** Bracket and knob made out of reinforced polyamide black colour; head made out of stainless steel AISI 304 or nickel plated brass; hexagonal insert made out of nickel plated brass; screw and washer made out of stainless steel AISI 304.

**FEATURES:** Possibility to use pins with diameter 14 and 16 mm. Max tightening torque 4 Kg·m.

**BOX QUANTITY:** 24 pieces.

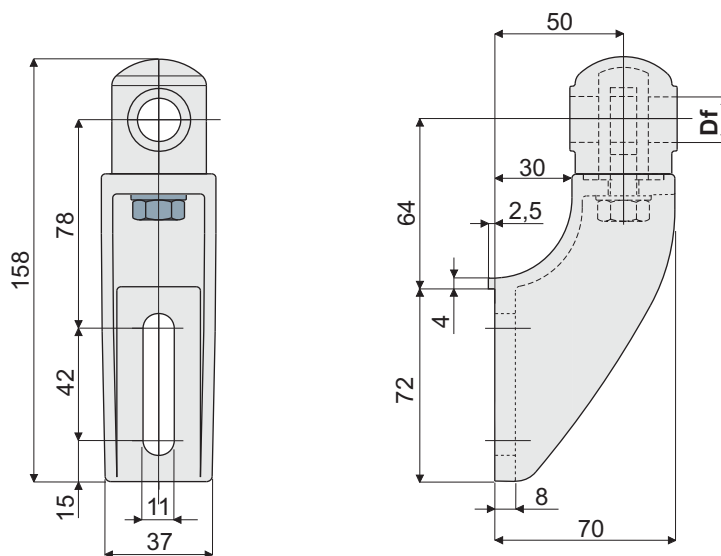
**ON REQUEST:**

- **Brackets:** In reinforced polypropylene, other colours.
- **Box Quantity:** According to your request.

# Guide rail bracket

(with adjustable head)

Part. **217**



Df Bore for pin of (mm)	Code
12	217 / 80760
14	217 / 80761
16	217 / 80762

**MATERIALS:** Bracket and head made of reinforced polyamide black colour; eyebolt, nut and washer made of stainless steel AISI 304.

**FEATURES:** Max tightening torque 4 Kg-m.

**BOX QUANTITY:** 24 pieces.

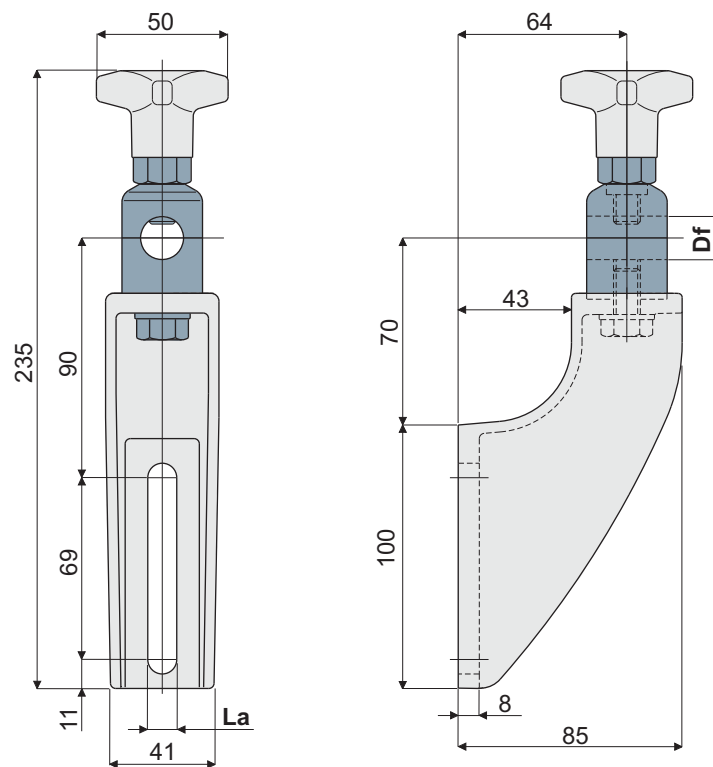
**ON REQUEST:**

- Brackets: In reinforced polypropylene, other colours.
- Box Quantity: According to your request.

# Guide rail bracket

(with metal adjustable head)

Part. **218**



Df Bore for pin of (mm)	La (9 mm slot)		Df Bore for pin of (mm)	La (11 mm slot)	
	Head made out of nickel plated brass Code	Head made out of stainless steel AISI 304 Code		Head made out of nickel plated brass Code	Head made out of stainless steel AISI 304 Code
14 - 16	218 / 82112	218 / 82113	14 - 16	218 / 80662	218 / 80663

**MATERIALS:** Bracket and knob made out of reinforced polyamide black colour; head made out of stainless steel AISI 304 or nickel plated brass; hexagonal insert made out of nickel plated brass; screw and washer made out of stainless steel AISI 304.

**FEATURES:** Possibility to use pins with diameter 14 and 16 mm. Max tightening torque 4 Kg-m.

**BOX QUANTITY:** 24 pieces.

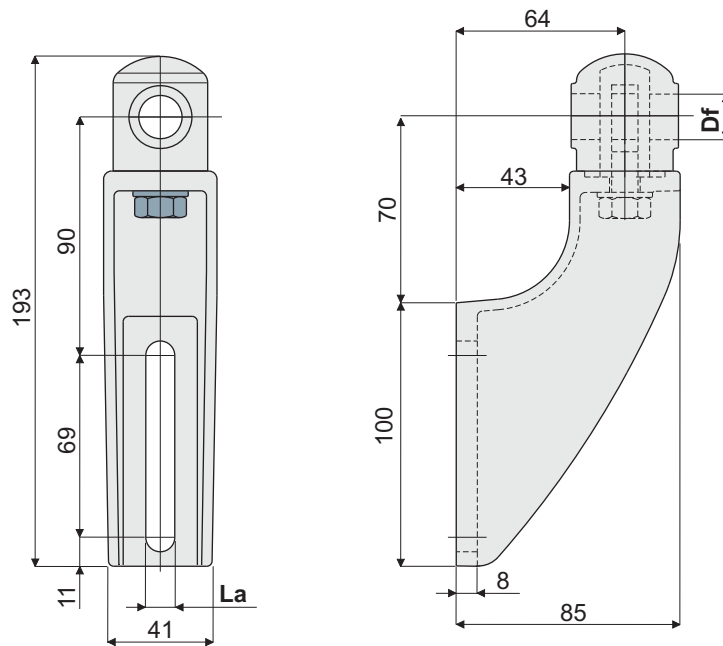
**ON REQUEST:**

- Brackets: In reinforced polypropylene, other colours.
- Box Quantity: According to your request.

# Guide rail bracket

(with adjustable head)

Part. **219**



Df Bore for pin of (mm)	La (9 mm slot) Code	La (11 mm slot) Code
12	219 / 82114	219 / 80664
14	219 / 82115	219 / 80665
16	219 / 82116	219 / 80666

**MATERIALS:** Bracket and head made of reinforced polyamide black colour; eyebolt, nut and washer made of stainless steel AISI 304.

**FEATURES:** Max tightening torque 4 Kg-m.

**BOX QUANTITY:** 24 pieces.

**ON REQUEST:**

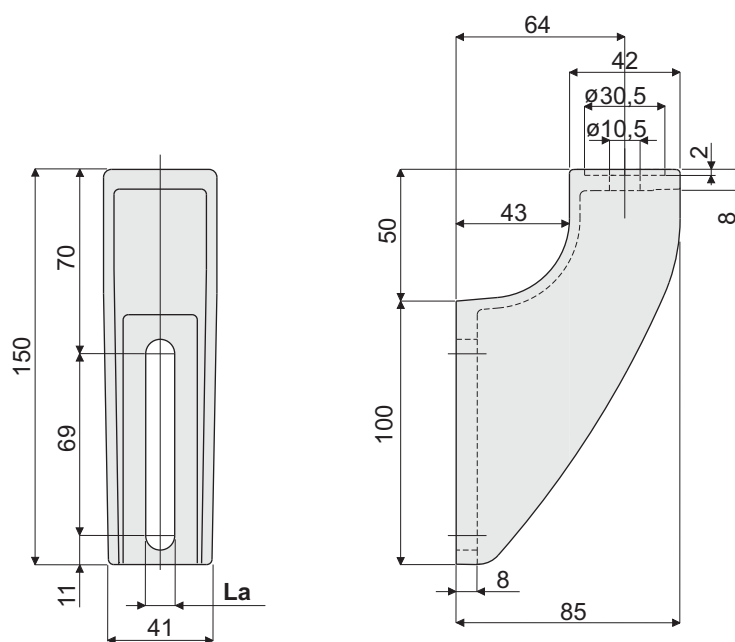
- Brackets: In reinforced polypropylene, other colours.
- Box Quantity: According to your request.



# Guide rail bracket

(for adjustable heads)

Part. **220**



La (9 mm slot)	La (11 mm slot)
Code	Code
220 / 82111	220 / 80667

**MATERIALS:** Bracket made out of reinforced polyamide black colour.

**FEATURES:** To be used with heads Part.221, 222, 223 and 266.

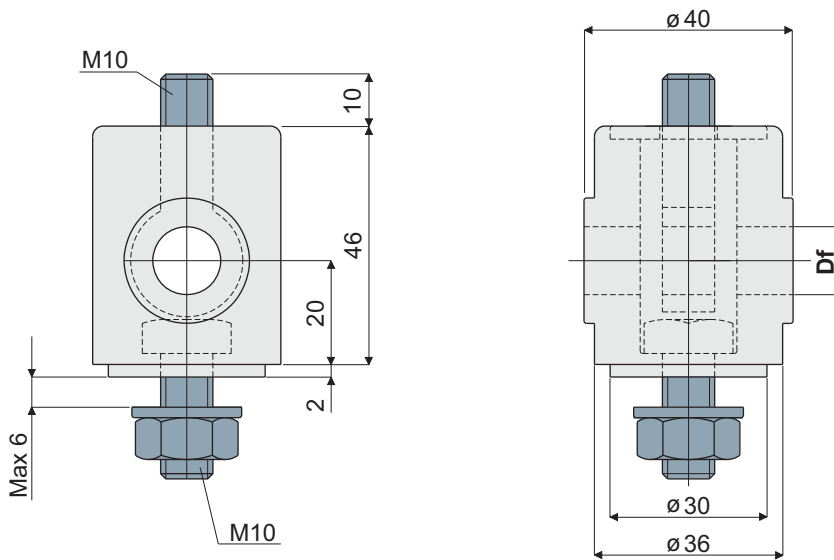
**BOX QUANTITY:** 24 pieces.

**ON REQUEST:**

- Brackets: In reinforced polypropylene, other colours.
- Box Quantity: According to your request.

# Head for bracket

Part. **221**



Df Bore for pin of (mm)	Code
12	221 / 80668
14	221 / 80669
16	221 / 80670

**MATERIALS:** Head made of reinforced polyamide black colour; eyebolt, screw, nut and washers made of stainless steel AISI 304.

**FEATURES:** To be used with bracket Part.209, 220 and 242. Max tightening torque 4 Kg-m.

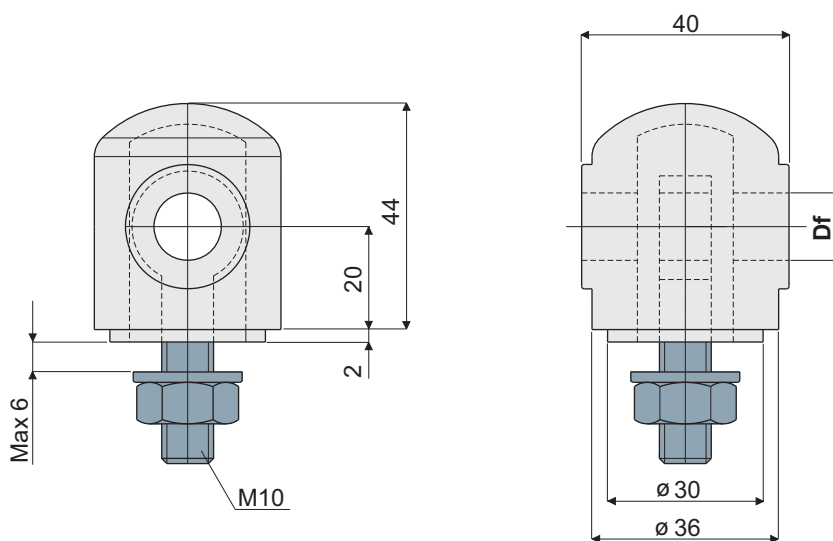
**BOX QUANTITY:** 24 pieces.

**ON REQUEST:**

- **Heads:** In reinforced polypropylene, other colours.
- **Box Quantity:** According to your request.

# Head for bracket

Part. **222**



Df Bore for pin of (mm)	Code
12	222 / 80671
14	222 / 80672
16	222 / 80673

**MATERIALS:** Head made of reinforced polyamide black colour; eyebolt, nut and washer made of stainless steel AISI 304.

**FEATURES:** To be used with bracket Part.209, 220 and 242. Max tightening torque 4 Kg·m.

**BOX QUANTITY:** 24 pieces.

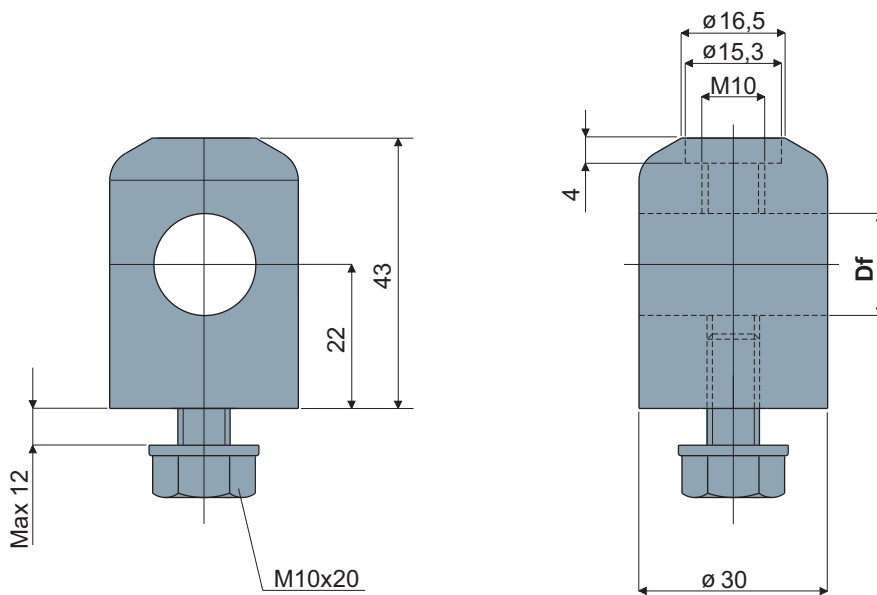
**ON REQUEST:**

- Heads: In reinforced polypropylene, other colours.
- Box Quantity: According to your request.

# Head for bracket

(metal)

Part. **223**



Df Bore for pin of (mm)	Head made out of nickel plated brass Code	Head made out of stainless steel AISI 304 Code
14 - 16	223 / 80674	223 / 80675

**MATERIALS:** Head made out of stainless steel AISI 304 or nickel plated brass; screw and washer made out of stainless steel AISI 304.

**FEATURES:** To be used with Part.209, 220 and 242. Max tightening torque 4 Kg-m.

Possibility to use pins with diameter 14 and 16 mm.

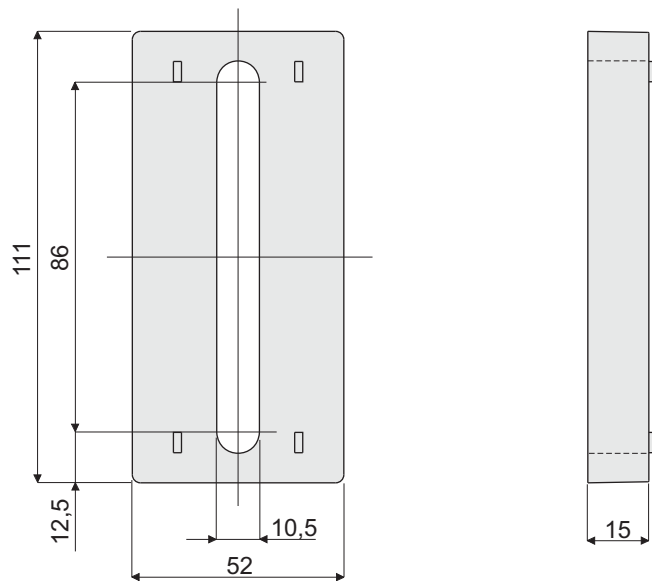
**BOX QUANTITY:** 24 pieces.

**ON REQUEST:**

- **Heads:** In different lengths.
- **Box Quantity:** According to your request.

# Spacer for bracket

Part. **224**



Code

224 / 80676

**MATERIALS:** Spacer made of reinforced polyamide black colour.

**FEATURES:** Accessory to be used with brackets Part.215, 218, 219, 220, 242, 243, 244, 255, 280, 281.

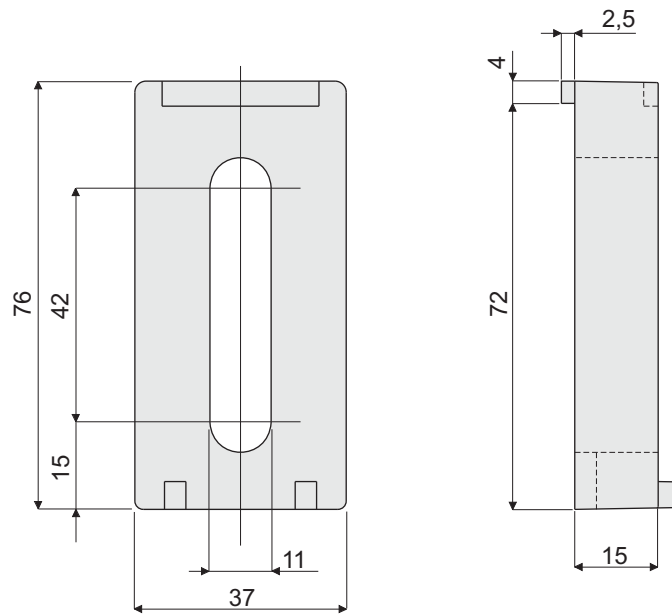
**BOX QUANTITY:** 24 pieces.

**ON REQUEST:**

- Spacers: In reinforced polypropylene, other colours.
- Box Quantity: According to your request.

# Spacer for bracket

Part. **225**



Code
225 / 80677

**MATERIALS:** Spacer made of reinforced polyamide black colour.

**FEATURES:** Accessory to be used with brackets Part.213, 214, 216, 217, 209, 279.

**BOX QUANTITY:** 24 pieces.

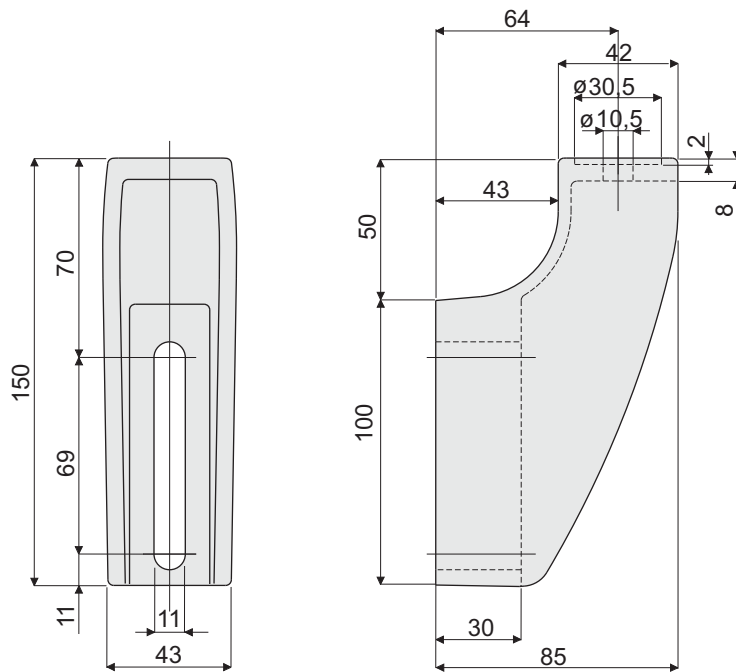
**ON REQUEST:**

- Spacers: In reinforced polypropylene, other colours.
- Box Quantity: According to your request.

# Guide rail bracket

(reinforced type for adjustable head)

Part. **242**



Code

242 / 81002

**MATERIALS:** Bracket made of reinforced polyamide black colour.

**FEATURES:** To be used with heads Part.221, 222, 223 and 266 for heavy applications. Suitable in conveyors with more ways, both in accumulation and curve.

**BOX QUANTITY:** 24 pieces.

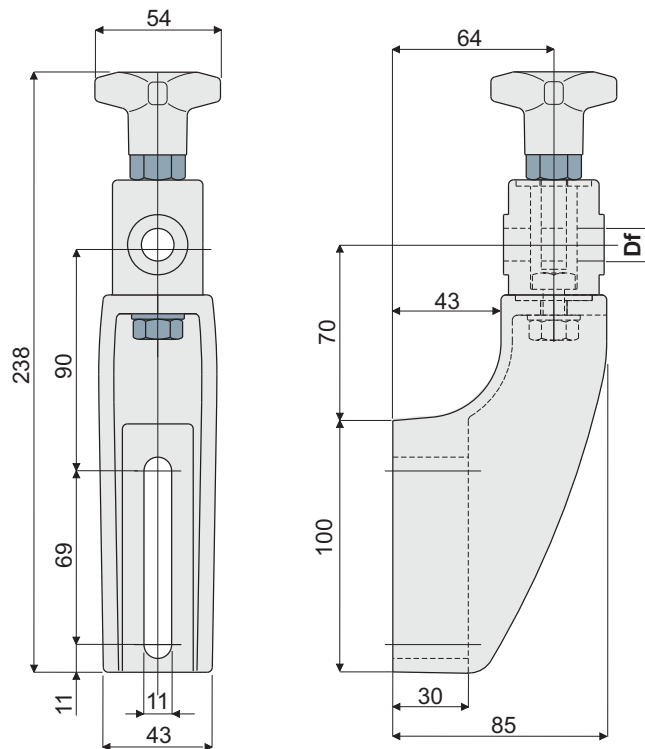
**ON REQUEST:**

- Brackets: In reinforced polypropylene, other colours.
- Box Quantity: According to your request.

# Guide rail bracket

(reinforced type with adjustable head)

Part. **243**



Df Bore for pin of (mm)	Code
12	243 / 81003
14	243 / 81004
16	243 / 81005

**MATERIALS:** Bracket and knob made of reinforced polyamide black colour; hexagonal insert made of nickel plated brass; eyebolt, screw, nut and washer made of stainless steel AISI 304.

**FEATURES:** To be used for heavy applications, suitable in conveyors with more ways, both in accumulation and curve. Max tightening torque 4 Kg·m.

**BOX QUANTITY:** 24 pieces.

**ON REQUEST:**

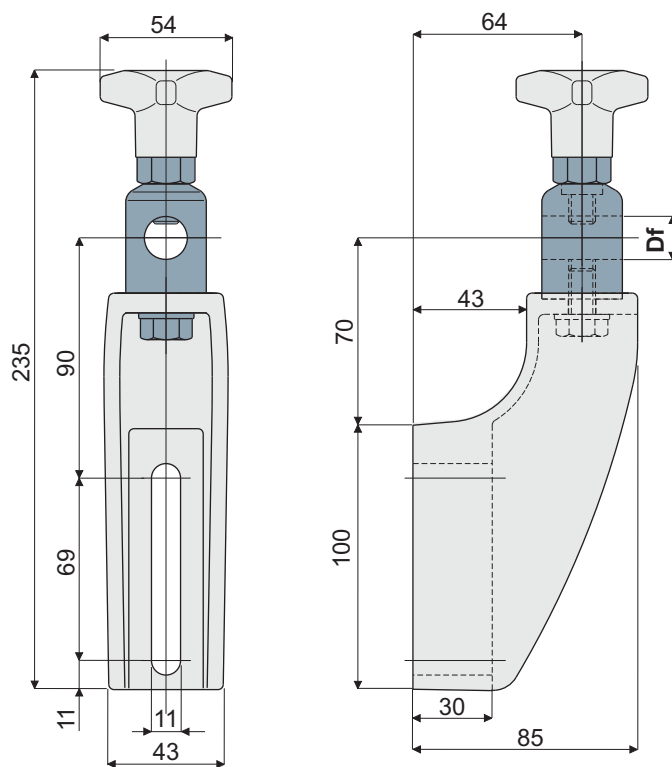
- **Brackets:** In reinforced polypropylene, other colours.
- **Box Quantity:** According to your request.



# Guide rail bracket

(reinforced type with metal adjustable head)

Part. **244**



Df Bore for pin of (mm)	Head made out of nickel plated brass Code	Head made out of stainless steel AISI 304 Code
14 - 16	244 / 81006	244 / 81007

**MATERIALS:** Bracket and knob made out of reinforced polyamide black colour; head made out of stainless steel AISI 304 or nickel plated brass; hexagonal insert made out of nickel plated brass; screw and washer made out of stainless steel AISI 304.

**FEATURES:** To be used for heavy applications, suitable in conveyors with more ways, both in accumulation and curve. Possibility to use pins with diameter 14 and 16 mm. Max tightening torque 4 Kg-m.

**BOX QUANTITY:** 24 pieces.

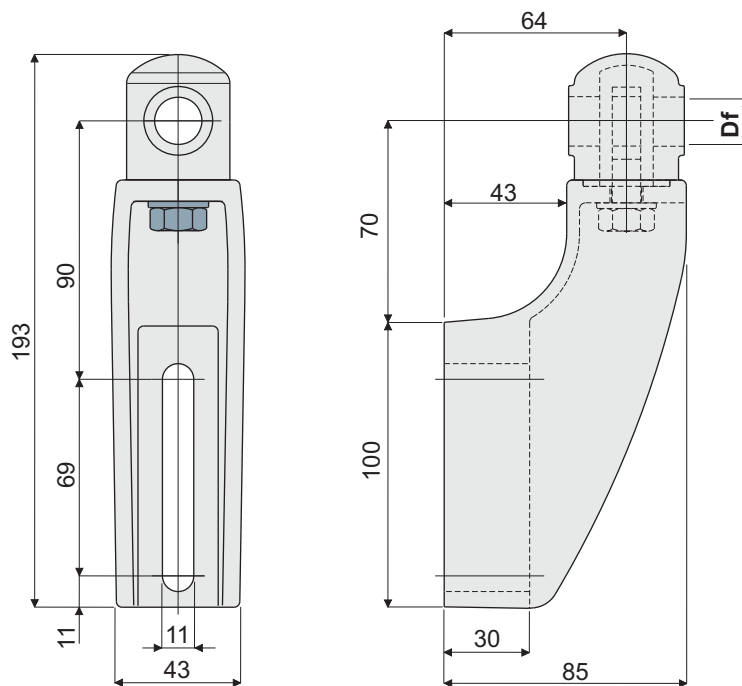
**ON REQUEST:**

- **Brackets:** In reinforced polypropylene, other colours.
- **Box Quantity:** According to your request.

# Guide rail bracket

(reinforced type with adjustable head)

Part. **255**



Df Bore for pin of (mm)	Code
12	255 / 81008
14	255 / 81009
16	255 / 81010

**MATERIALS:** Bracket and head made of reinforced polyamide black colour; eyebolt, nut and washer made of stainless steel AISI 304.

**FEATURES:** To be used for heavy applications, suitable in conveyors with more ways, both in accumulation and curve. Max tightening torque 4 Kg-m.

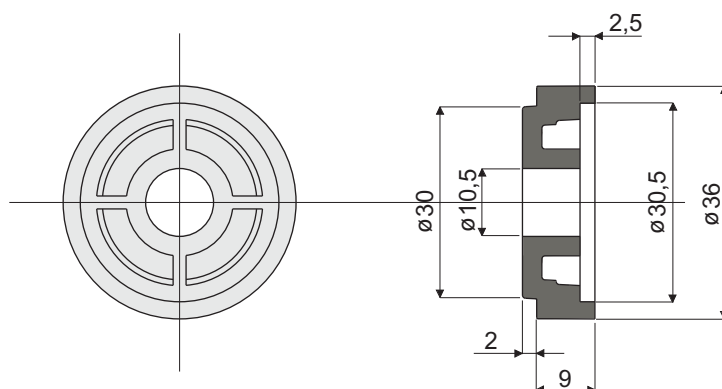
**BOX QUANTITY:** 24 pieces.

**ON REQUEST:**

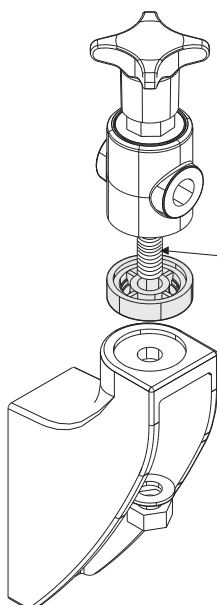
- Brackets: In reinforced polypropylene, other colours.
- Box Quantity: According to your request.

# Spacer for heads

Part. **256**



Example of application



N.B.: To use the spacer, it is necessary to change the standard screw with a longer one.

Code

256 / 81011

**MATERIALS:** Spacer made of reinforced polyamide black colour.

**FEATURES:** Accessory to be used on brackets Part.214, 215, 216, 217, 219, 255, 209, 220, 242, 218, 243, 244, 279, 280, 281 to increase heads height.

**BOX QUANTITY:** 24 pieces.

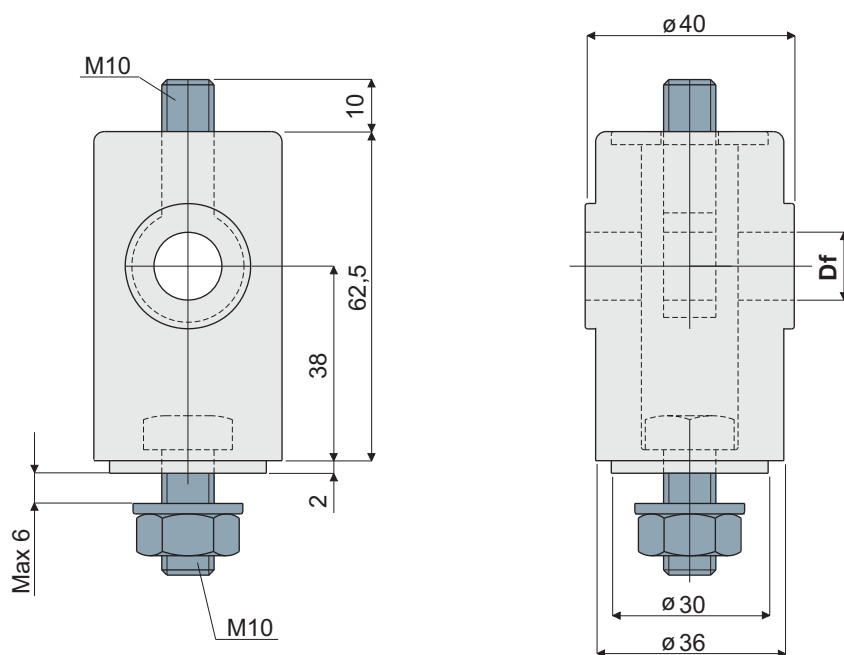
**ON REQUEST:**

- Spacers: In reinforced polypropylene, other colours.
- Box Quantity: According to your request.

# Head for bracket

(high type)

Part. **266**



Df	Code
Bore for pin of (mm)	
12	266 / 82035
14	266 / 82036
16	266 / 82037

**MATERIALS:** Head made of reinforced polyamide black colour; eyebolt, nuts and washer made of stainless steel AISI 304.

**FEATURES:** To be used with bracket Part.209, 220 and 242. Max tightening torque 4 Kg·m.

**BOX QUANTITY:** 24 pieces.

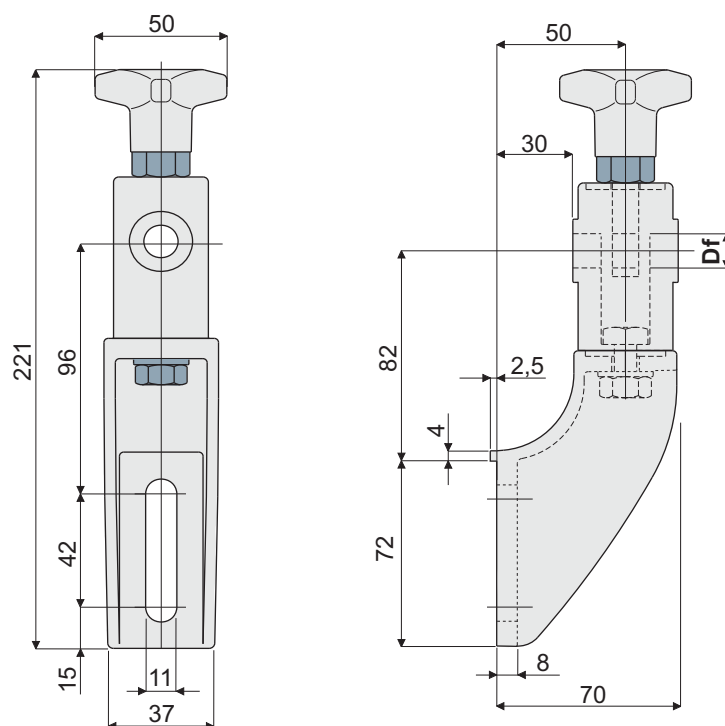
**ON REQUEST:**

- Heads: Made of reinforced polypropylene, other colours.
- Box Quantity: According to your request.

# Guide rail bracket

(with adjustable head)

Part. **279**



Df Bore for pin of (mm)	Code
12	279 / 82124
14	279 / 82125
16	279 / 82126

**MATERIALS:** Bracket and knob made of reinforced polyamide black colour; hexagonal insert made of nickel plated brass; eyebolt, nut and washer made of stainless steel AISI 304.

**FEATURES:** Max tightening torque 4 Kg·m.

**BOX QUANTITY:** 8 pieces.

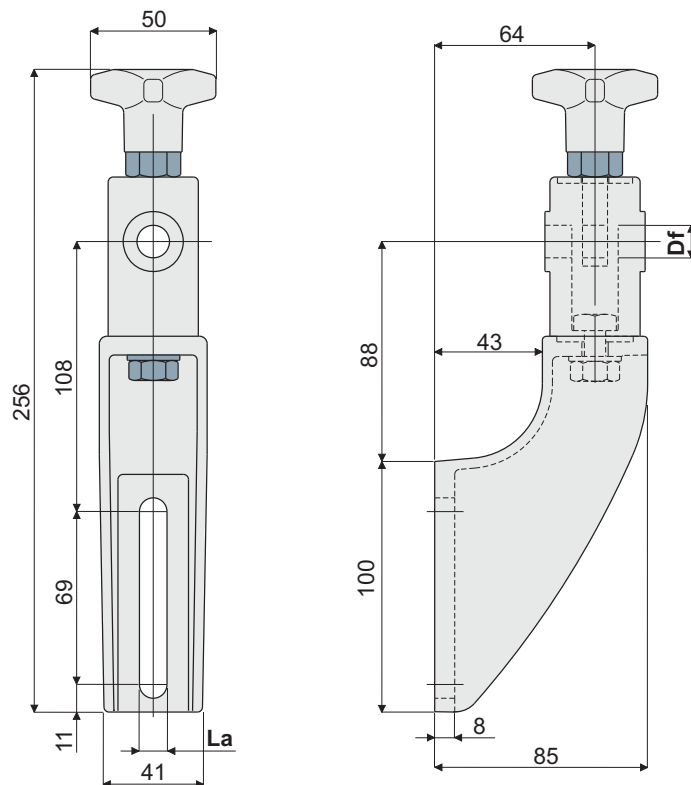
**ON REQUEST:**

- Brackets: In reinforced polypropylene, other colours.
- Box Quantity: According to your request.

# Guide rail bracket

(with adjustable high type head)

Part. **280**



Df Bore for pin of (mm)	La (9 mm slot) Code	La (11 mm slot) Code
12	280 / 82150	280 / 82127
14	280 / 82151	280 / 82128
16	280 / 82152	280 / 82129

**MATERIALS:** Bracket and knob made of reinforced polyamide black colour; hexagonal insert made of nickel plated brass; eyebolt, nut and washer made of stainless steel AISI 304.

**FEATURES:** Max tightening torque 4 Kg·m.

**BOX QUANTITY:** 24 pieces.

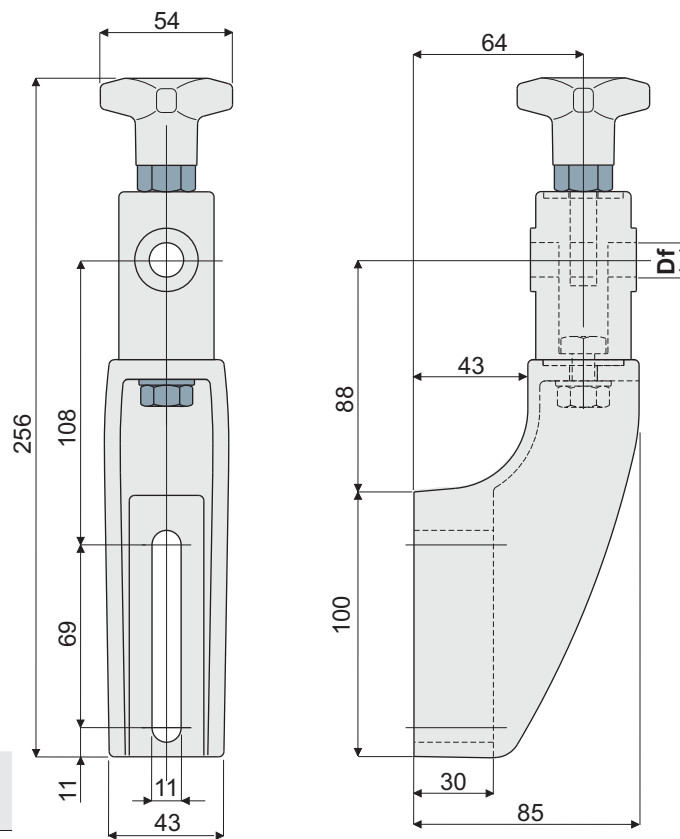
**ON REQUEST:**

- **Brackets:** In reinforced polypropylene, other colours.
- **Box Quantity:** According to your request.

# Guide rail bracket

(reinforced type with adjustable high type head)

Part. **281**



$D_f$ Bore for pin of (mm)	Code
12	281 / 82130
14	281 / 82131
16	281 / 82132

**MATERIALS:** Bracket and knob made of reinforced polyamide black colour; hexagonal insert made of nickel plated brass; eyebolt, screw, nut and washer made of stainless steel AISI 304.

**FEATURES:** To be used for heavy applications, suitable in conveyors with more ways, both in accumulation and curve. Max tightening torque 4 Kg·m.

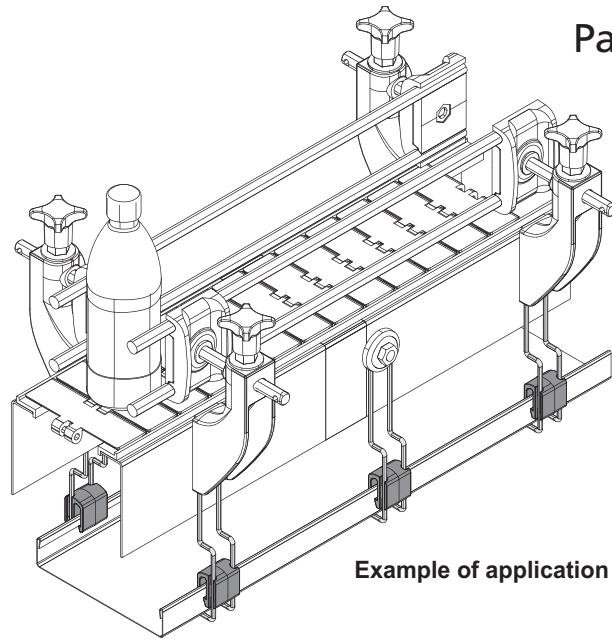
**BOX QUANTITY:** 24 pieces.

**ON REQUEST:**

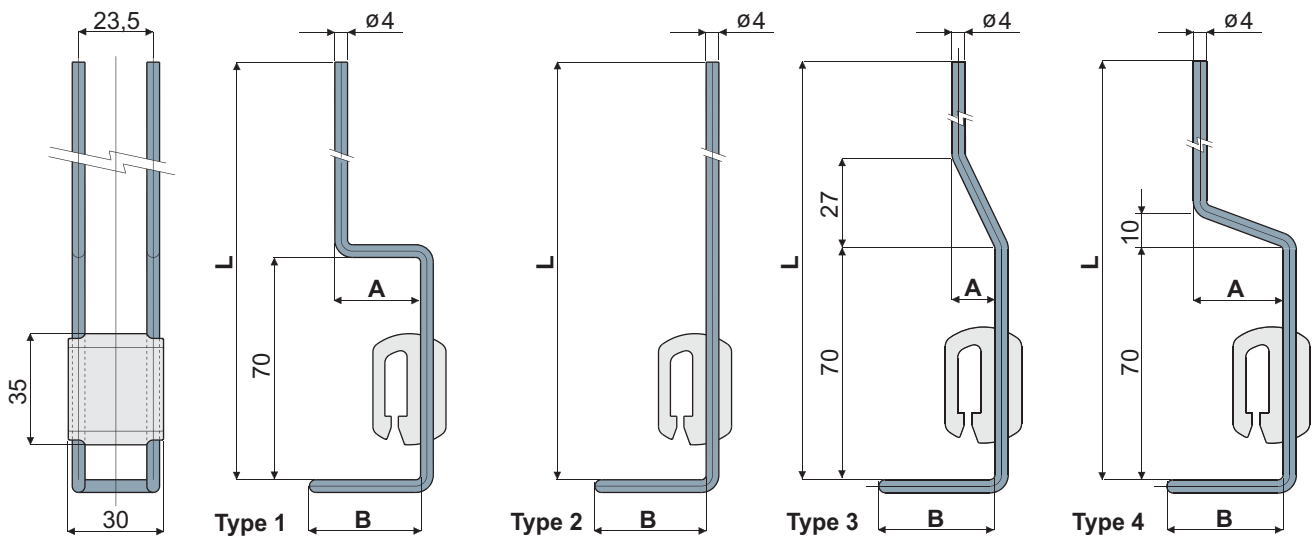
- Brackets: In reinforced polypropylene, other colours.
- Box Quantity: According to your request.

# Drip tray support

Part. **236**



Example of application



L (mm)	B (mm)	A (mm)	Type 1 Code
180	35	27	236 / 80779
180	35	17	236 / 81012
230	35	27	236 / 82683

L (mm)	B (mm)	Type 2 Code
200	35	236 / 80780
246	35	236 / 81013

L (mm)	B (mm)	A (mm)	Type 3 Code
250	35	13	236 / 82640

L (mm)	B (mm)	A (mm)	Type 4 Code
280	35	27	236 / 82949

**MATERIALS:** Support elements made of stainless steel AISI 304; body of coupling made of reinforced polyamide black colour.

**FEATURES:** To be used to support drip trays.

**BOX QUANTITY:** 24 pieces.

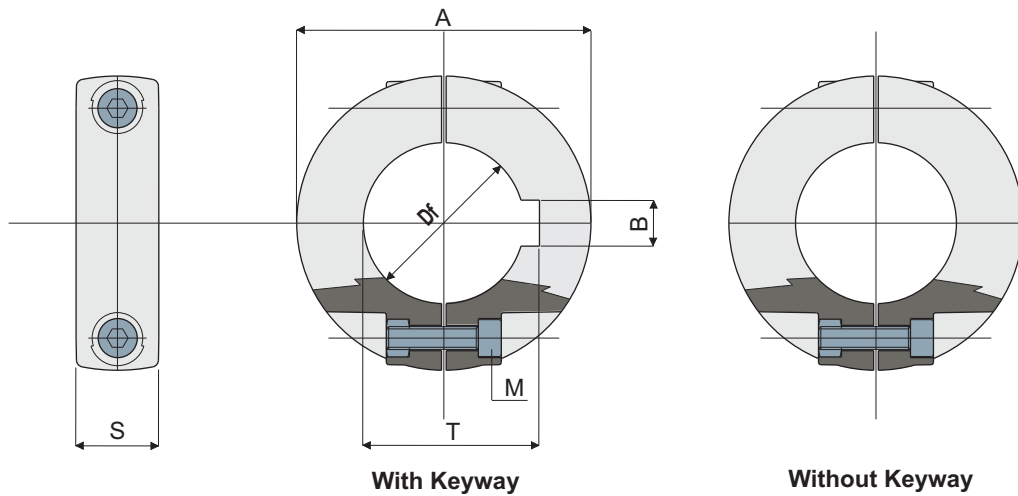
**ON REQUEST:**

- Drip tray supports: Supplied in different shapes and sizes.
- Box Quantity: According to your request.

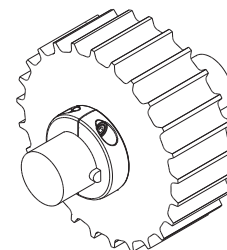


# Split shaft collars

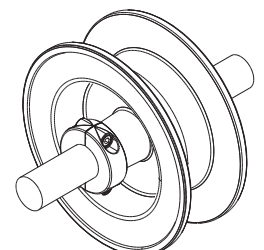
Part. **288**



With keyway						
Df (mm)	A (mm)	S (mm)	M (mm)	B (mm)	T (mm)	Code
20	40	14	M4	6	22,8	288 / 82555
25	50	14	M5	8	28,3	288 / 82556
30	50	14	M5	8	33,3	288 / 82557
35	65	14	M5	10	38,3	288 / 82558
40	65	14	M5	12	43,3	288 / 82559

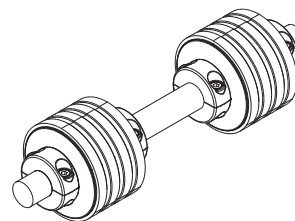


Sprockets

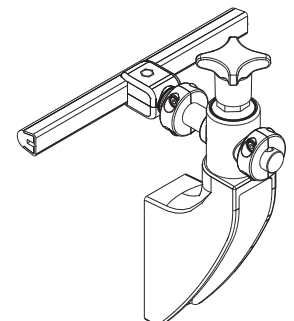


Idler wheels

Without keyway				
Df (mm)	A (mm)	S (mm)	M (mm)	Code
12	35	13	M4	288 / 82560
14	35	13	M4	288 / 82561
16	35	13	M4	288 / 82562
18	40	14	M4	288 / 82563
20	40	14	M4	288 / 82564
25	50	14	M5	288 / 82565
30	50	14	M5	288 / 82566
35	65	14	M5	288 / 82567
40	65	14	M5	288 / 82568



Rollers for chain return



Guide rail bracket

**Example of applications**

**MATERIALS:** Collars made out of reinforced polyamide black colour; bolt and nuts made out of stainless steel AISI 304.

**FEATURES:** Supplied assembled. To be assembled on the shaft to obtain wheels axial blocking; to be assembled on pins for guides supporting to adjust the position of guides according to the bottle size.

**BOX QUANTITY:** 100 pieces.

**ON REQUEST:**

- Collars: With special bores, other colours.
- Box Quantity: According to your request.