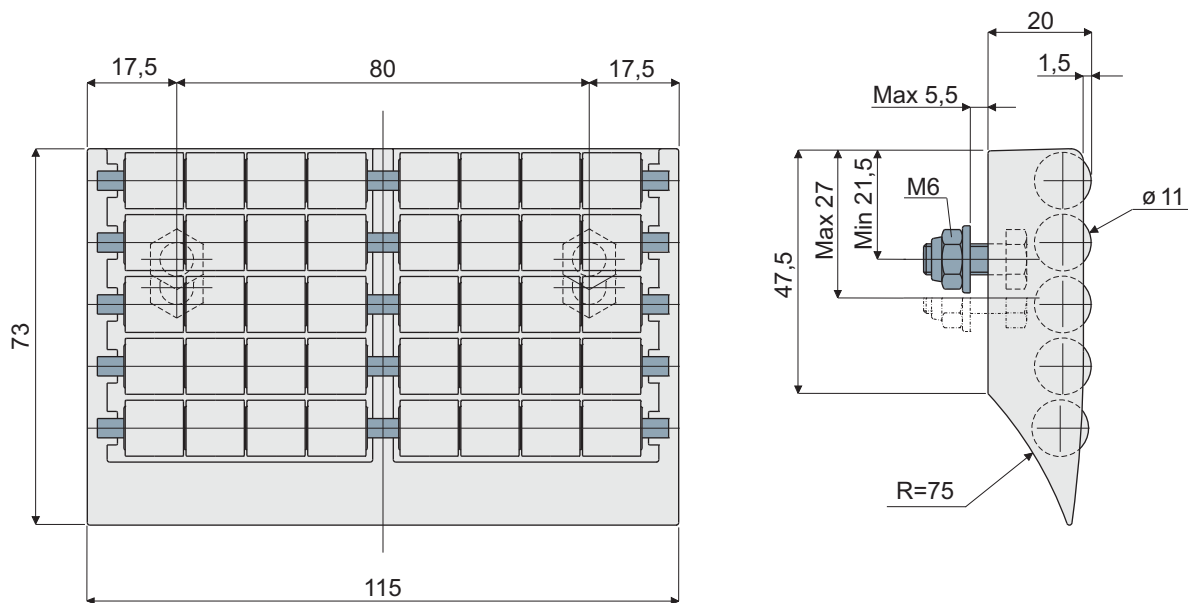


Modular transfer plates with rollers

(width 115 mm 5 rows of rollers)

Part. **257**



Code

257 / 82005

MATERIALS: Modular transfer plate with external module and rollers made of acetal grey colour; pins and fixing bolts and nuts made of stainless steel AISI 304.

FEATURES: To be assembled at the end of your conveyor to help the products transfer. Easy to assemble, low friction coefficient, minimum noise level, extremely cleanable.

BOX QUANTITY: 8 pieces.

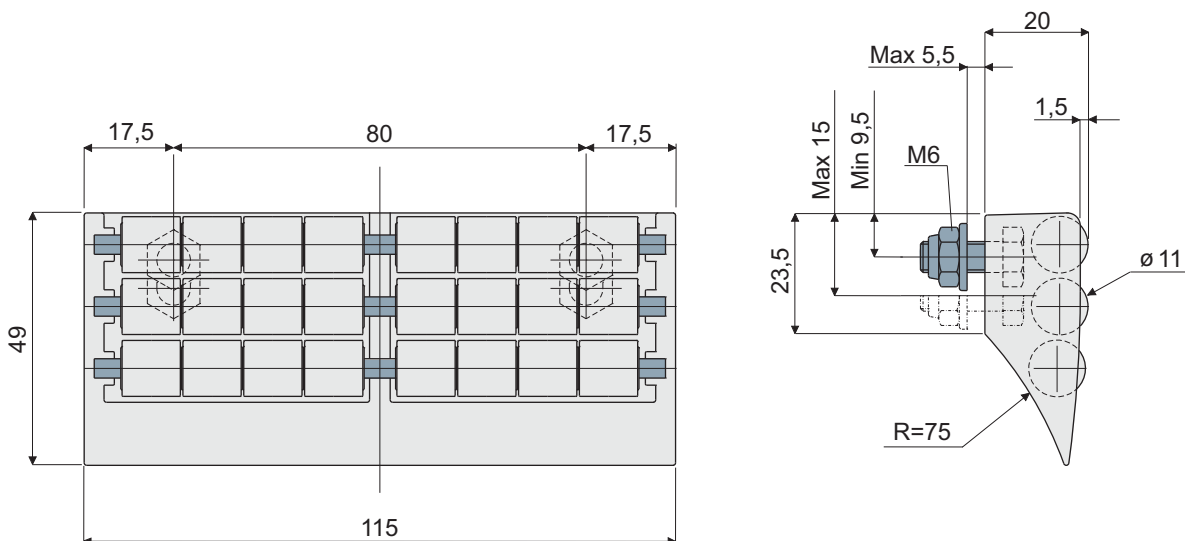
ON REQUEST:

- **External module and rollers:** Can be produced in other colours.
- **Box Quantity:** According to your request.

Modular transfer plates with rollers

(width 115 mm 3 rows of rollers)

Part. **258**



Code

258 / 82004

MATERIALS: Modular transfer plate with external module and rollers made of acetal grey colour; pins and fixing bolts and nuts made of stainless steel AISI 304.

FEATURES: To be assembled at the end of your conveyor to help the products transfer. Easy to assemble, low friction coefficient, minimum noise level, extremely cleanable.

BOX QUANTITY: 8 pieces.

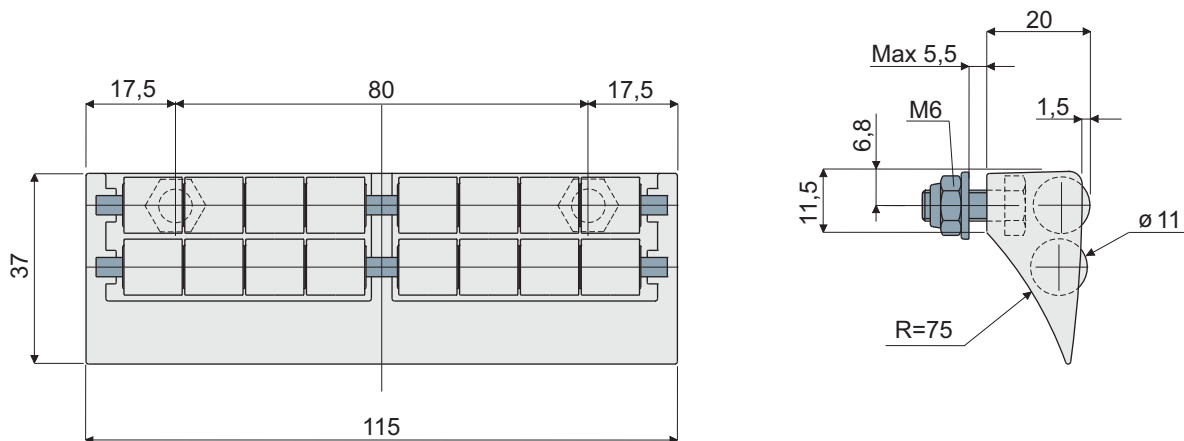
ON REQUEST:

- **External module and rollers:** Can be produced in other colours.
- **Box Quantity:** According to your request.

Modular transfer plates with rollers

(width 115 mm 2 rows of rollers)

Part. **259**



Code

259 / 82003

MATERIALS: Modular transfer plate with external module and rollers made of acetal grey colour; pins and fixing bolts and nuts made of stainless steel AISI 304.

FEATURES: To be assembled at the end of your conveyor to help the products transfer. Easy to assemble, low friction coefficient, minimum noise level, extremely cleanable.

BOX QUANTITY: 8 pieces.

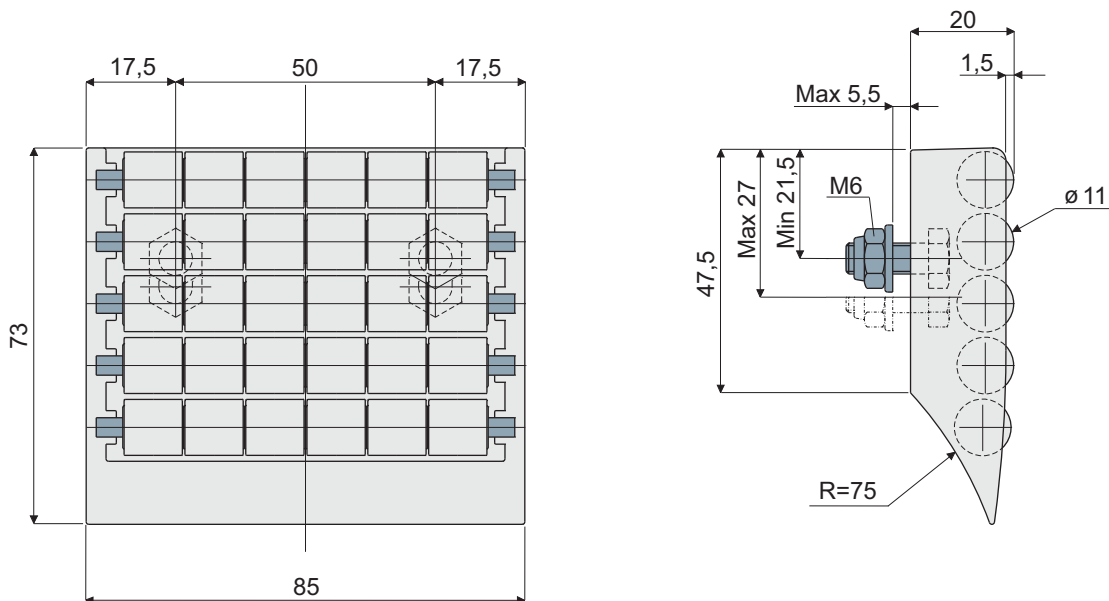
ON REQUEST:

- **External module and rollers:** Can be produced in other colours.
- **Box Quantity:** According to your request.

Modular transfer plates with rollers

(width 85 mm 5 rows of rollers)

Part. **260**



Code

260 / 82002

MATERIALS: Modular transfer plate with external module and rollers made of acetal grey colour; pins and fixing bolts and nuts made of stainless steel AISI 304.

FEATURES: To be assembled at the end of your conveyor to help the products transfer. Easy to assemble, low friction coefficient, minimum noise level, extremely cleanable.

BOX QUANTITY: 8 pieces.

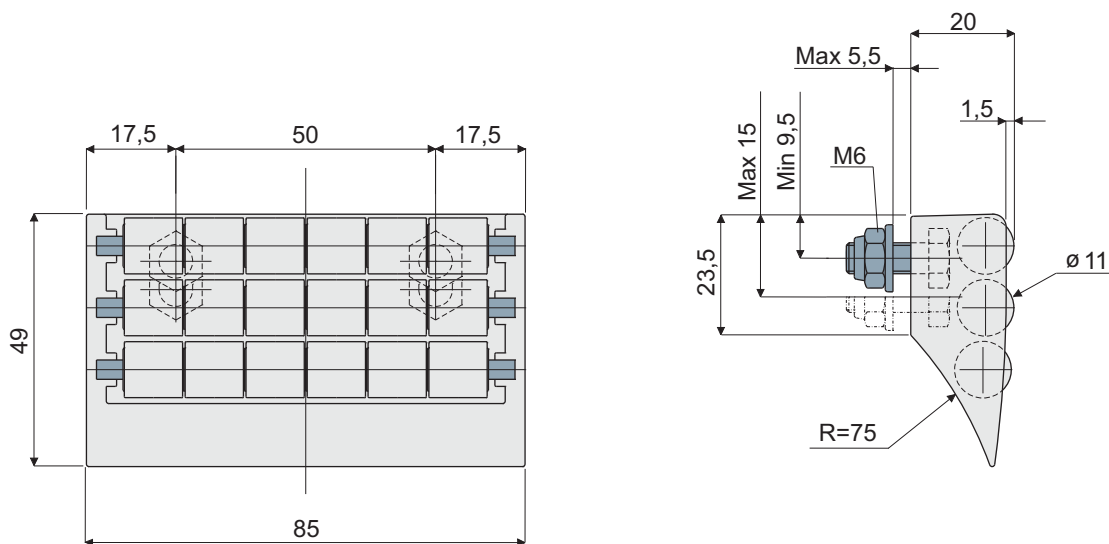
ON REQUEST:

- **External module and rollers:** Can be produced in other colours.
- **Box Quantity:** According to your request.

Modular transfer plates with rollers

(width 85 mm 3 rows of rollers)

Part. **261**



Code

261 / 82001

MATERIALS: Modular transfer plate with external module and rollers made of acetal grey colour; pins and fixing bolts and nuts made of stainless steel AISI 304.

FEATURES: To be assembled at the end of your conveyor to help the products transfer. Easy to assemble, low friction coefficient, minimum noise level, extremely cleanable.

BOX QUANTITY: 8 pieces.

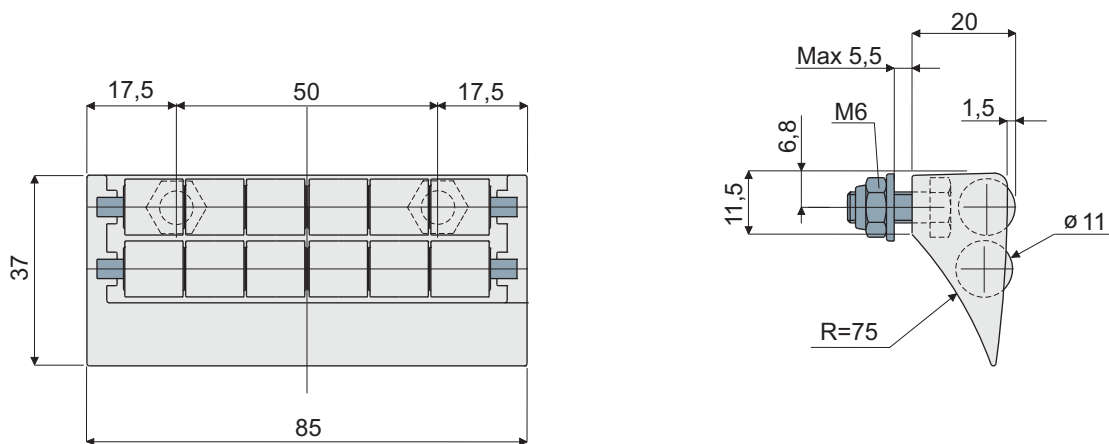
ON REQUEST:

- **External module and rollers:** Can be produced in other colours.
- **Box Quantity:** According to your request.

Modular transfer plates with rollers

(width 85 mm 2 rows of rollers)

Part. **262**



Code

262 / 82000

MATERIALS: Modular transfer plate with external module and rollers made of acetal grey colour; pins and fixing bolts and nuts made of stainless steel AISI 304.

FEATURES: To be assembled at the end of your conveyor to help the products transfer. Easy to assemble, low friction coefficient, minimum noise level, extremely cleanable.

BOX QUANTITY: 8 pieces.

ON REQUEST:

- **External module and rollers:** Can be produced in other colours.
- **Box Quantity:** According to your request.