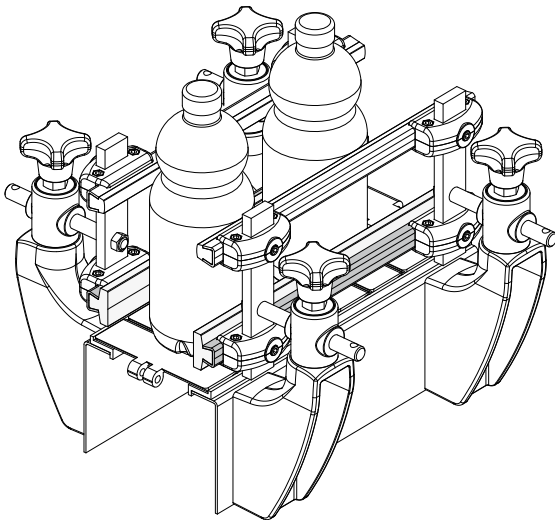
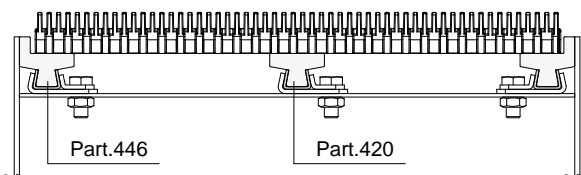


Product guides and accessories

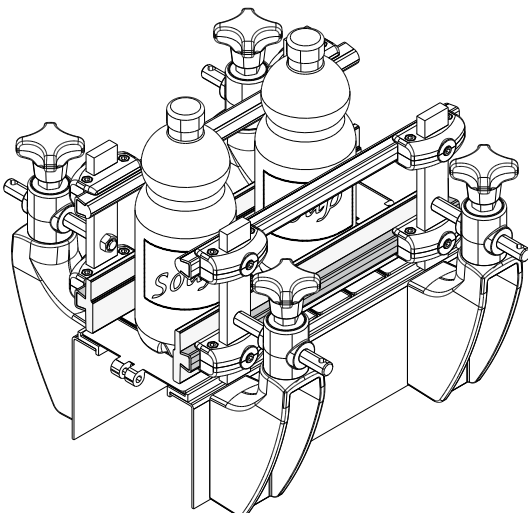
Example of application



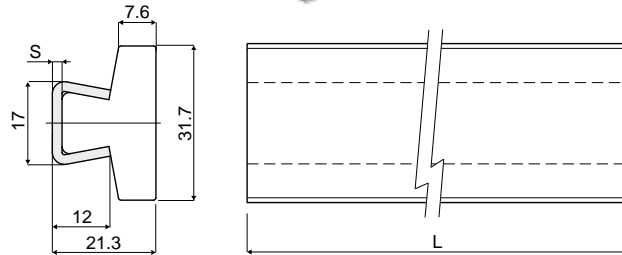
Example of application



Example of application



Side guide rail, flat type Part. 420 (with metal profile)



Code	S	L
420 / 84808	1,5	6 Mt.
420 / 84810	1,5	3 Mt.
420 / 84809	2	6 Mt.
420 / 84811	2	3 Mt.

MATERIALS: Guide profile in natural polyethylene; metal profile in stainless steel AISI 304.
FEATURES: Supplied in lengths of 3 or 6 Mt. Min. curvature radius: 160 mm.

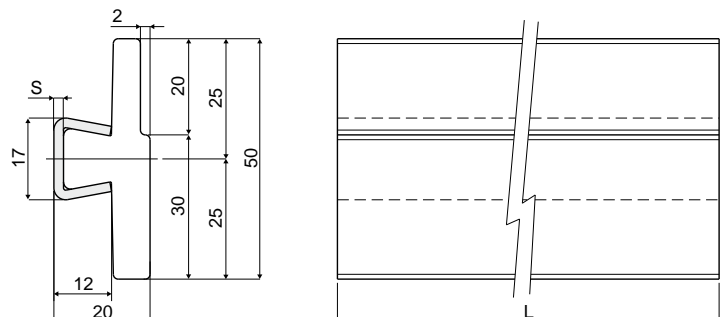
BOX QUANTITY:

- 3 Mt. lengths version: This item is sold in Mt. - Min. 6 Mt. (2 lengths);
- 6 Mt. lengths version: This item is sold in Mt. - Min. 12 Mt. (2 lengths).

ON REQUEST:

- Box quantity: According to your request.

Guide rail Part. 353 (with metal profile)



Code	S	L
353 / 84196	1,5	6 Mt.
353 / 84197	1,5	3 Mt.
353 / 83441	2	6 Mt.
353 / 83881	2	3 Mt.

MATERIALS: Guide profile in natural polyethylene; metal profile in stainless steel AISI 304.
FEATURES: Supplied in lengths of 3 or 6 Mt. Min. curvature radius: 200 mm.

BOX QUANTITY:

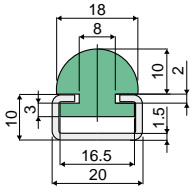
- 3 Mt. lengths version: This item is sold in Mt. - Min. 6 Mt. (2 lengths);
- 6 Mt. lengths version: This item is sold in Mt. - Min. 12 Mt. (2 lengths).

ON REQUEST:

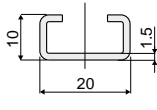
- Box quantity: According to your request.

Product guides and accessories

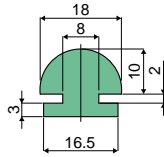
Part. **373** Guide rail (round) (with metal profile)



With profile and guide



Only profile



Only guide

Length	With profile and guide Code
3 Mt.	373 / 83733
6 Mt.	373 / 83735

Length	Only profile Code
3 Mt.	373 / 84303

Length	Only guide Code
3 Mt.	373 / 83882

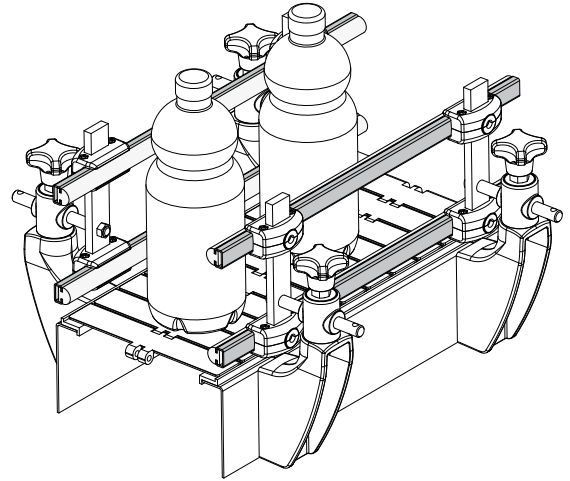
MATERIALS: Extruded HMWPE green colour, metal profile in stainless steel AISI 304.

FEATURES: Min. curvature radius: 145 mm.

BOX QUANTITY:

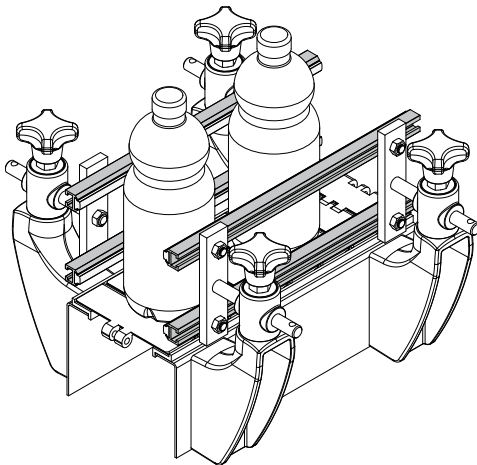
- 3 Mt. lengths version: This item is sold in Mt. - Min. 6 Mt. (2 lengths);
- 6 Mt. lengths version: This item is sold in Mt. - Min. 12 Mt. (2 lengths).

Example of application



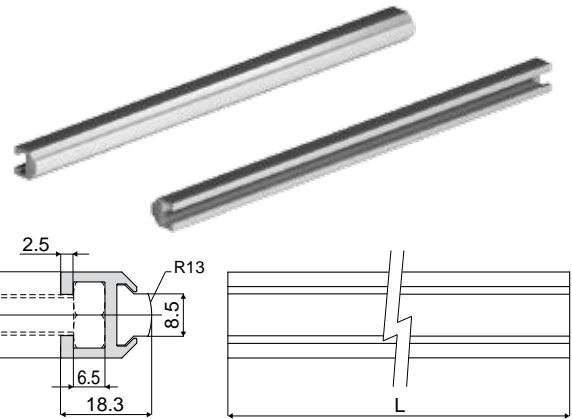
Product guides and accessories

Example of application



Guide rail (semicircular)

Part. **438**



Code	L
438 / 85237	3 Mt.
438 / 85238	6 Mt.

MATERIALS: Guide profile in UHMWPE white colour, metal profile in anodized aluminium.
FEATURES: Min. curvature radius: 110 mm.

BOX QUANTITY:

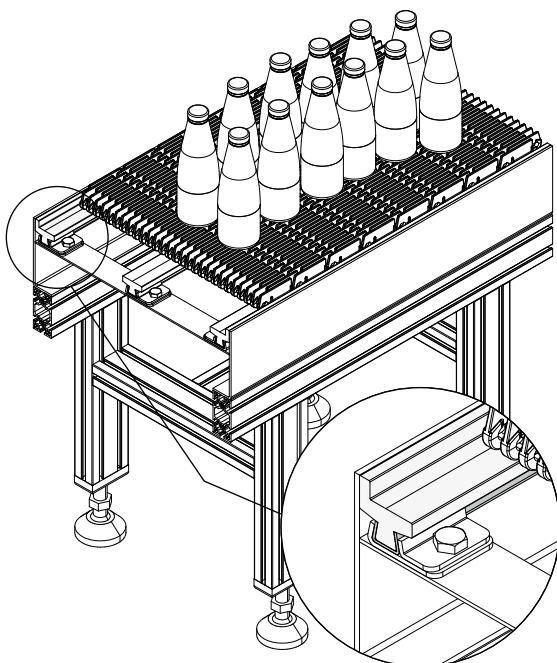
- 3 Mt. lengths version: This item is sold in Mt. - Min. 6 Mt. (2 lengths);
- 6 Mt. lengths version: This item is sold in Mt. - Min. 12 Mt. (2 lengths).

ON REQUEST:

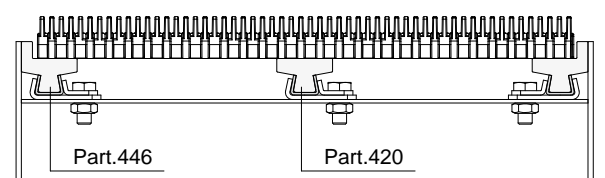
- Box quantity: According to your request.

Chain guides and accessories

Example of application

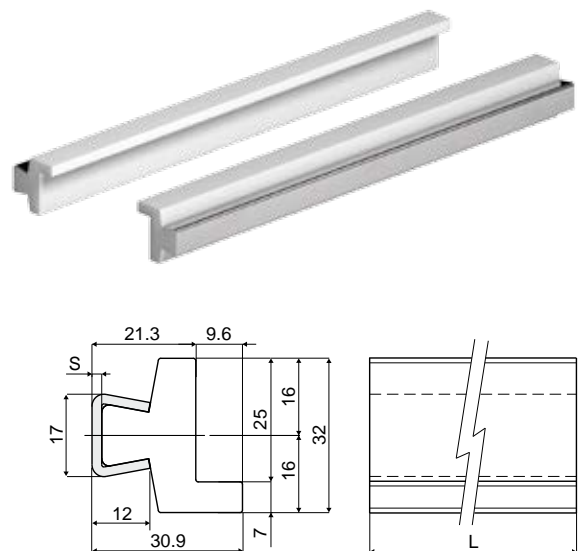


Example of application



Chain guide rail (with metal profile)

Part. **446**



Code	S	L
446 / 85355	1,5	6 Mt.
446 / 85356	1,5	3 Mt.
446 / 85358	2	6 Mt.
446 / 85357	2	3 Mt.

MATERIALS: Plastic profile in polyethylene natural colour; metal profile in stainless steel AISI 304.
FEATURES: Supplied already assembled in lengths of 3 or 6 meters. Min. curvature radius: 200 mm.

BOX QUANTITY:

- 3 Mt. lengths version: This item is sold in Mt. - Min. 6 Mt. (2 lengths);
- 6 Mt. lengths version: This item is sold in Mt. - Min. 12 Mt. (2 lengths).

ON REQUEST:

- Box quantity: According to your request.