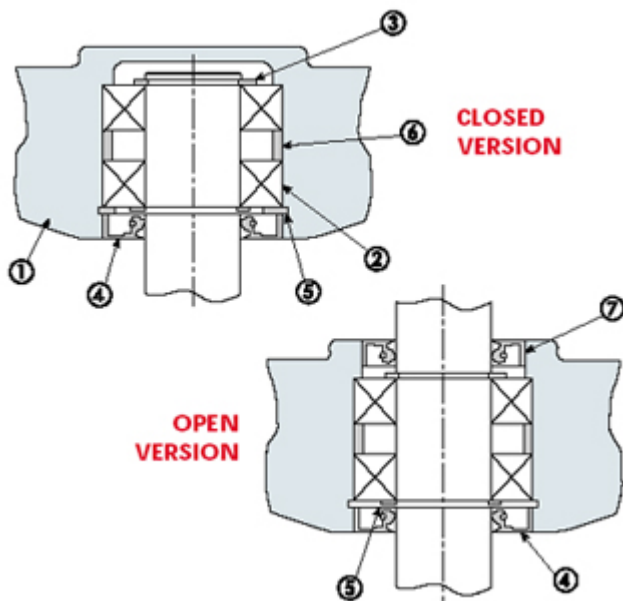


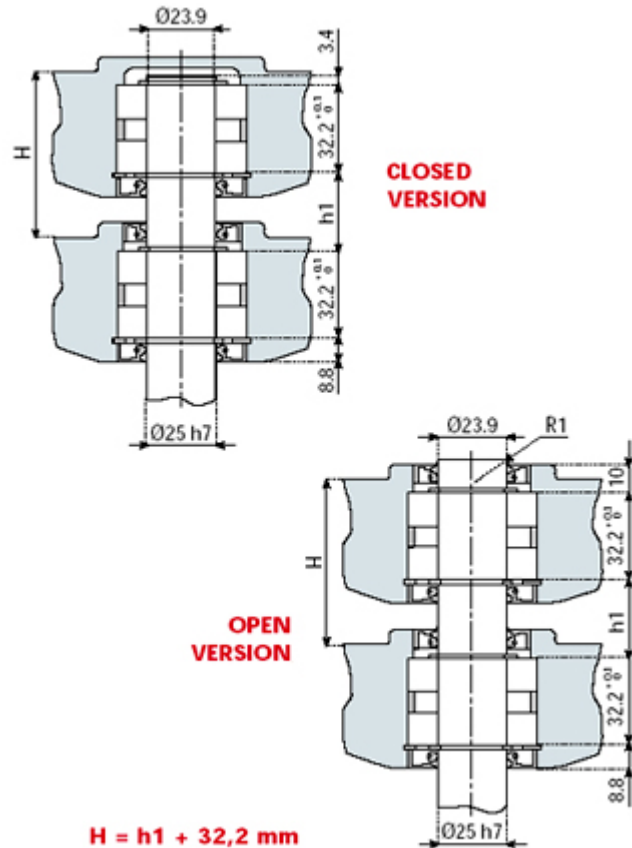
# TURNING DISK for sideflexing chains

## Components and shaft dimensions

### COMPONENTS



### SHAFT DIMENSIONS



- 1 - Turning disk.
- 2 - Single race radial ball bearing with two sliding seals, type 6005-2RS (25x47x12).
- 3 - External (reatining) ring, Ø 25 DIN 471.
- 4 - Seal ring with dust cover, 25x47x7 DIN 3760 (NBR rubber).
- 5 - Internal (reatining) ring, Ø 47 DIN 472.
- 6 - Bearing spacer.
- 7 - Seal ring with dust cover, 25x42x7 DIN 3760 (NBR rubber).

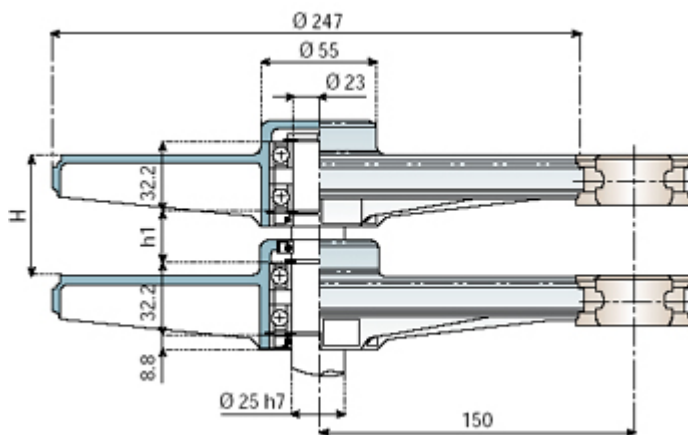
*All components are supplied separate, except the shaft bearings which are pre-assembled.*

# TURNING DISK for multiflex chains series

1700 - 1702 - HMGK 50 FN - 7000 - 7001 - 7005

**Light and  
economic version**

$$H = h1 + 32.2 \text{ mm}$$



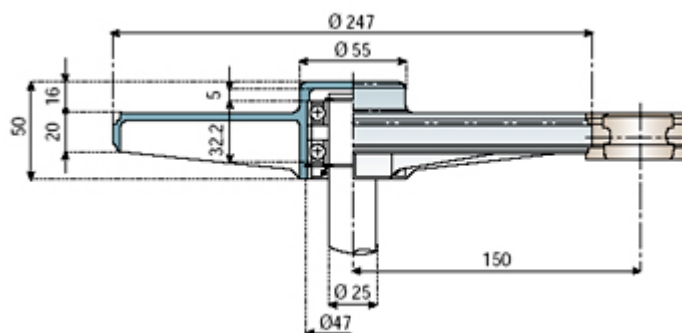
## TURNING DISK CLOSED VERSION

**Material:** polyamide reinforced with fiber-glass.

**Colour:** black

**CARRY AND RETURN**

**CODE 12723**



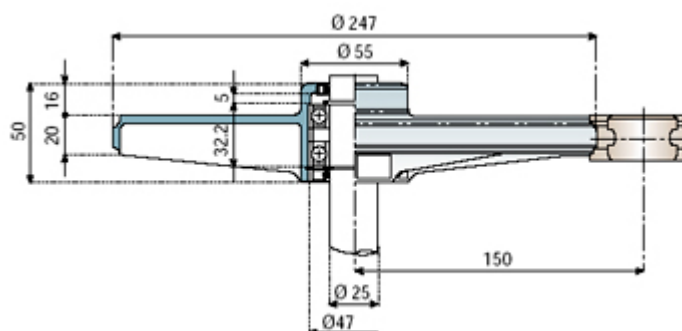
## TURNING DISK OPEN VERSION

**Material:** polyamide reinforced with fiber-glass.

**Colour:** black

**CARRY AND RETURN**

**CODE 12725**



*All components are supplied separate, except the shaft bearings which are pre-assembled.*

**TURNING DISK for multiflex chains series  
HMGK 50 TAB M - HMGK 50 TAB H1**

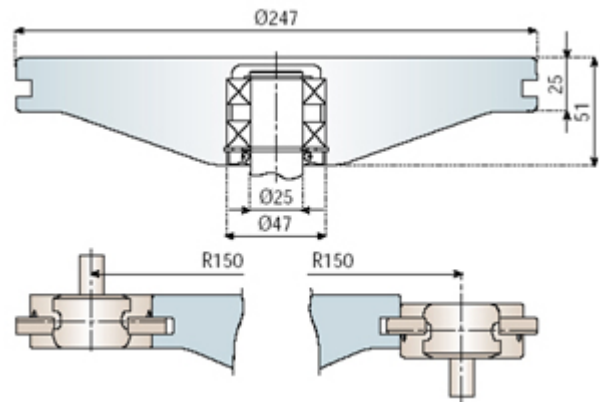


**TURNING DISK  
for chains series HMGK 50 TAB M  
CLOSED VERSION**

**Material:** polyamide  
**Colour:** black

**CARRY AND RETURN**

**CODE 12795**

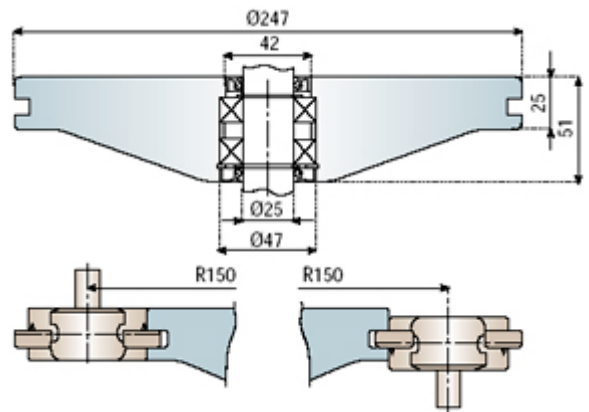


**TURNING DISK  
for chains series HMGK 50 TAB M  
OPEN VERSION**

**Material:** polyamide  
**Colour:** black

**CARRY AND RETURN**

**CODE 12796**

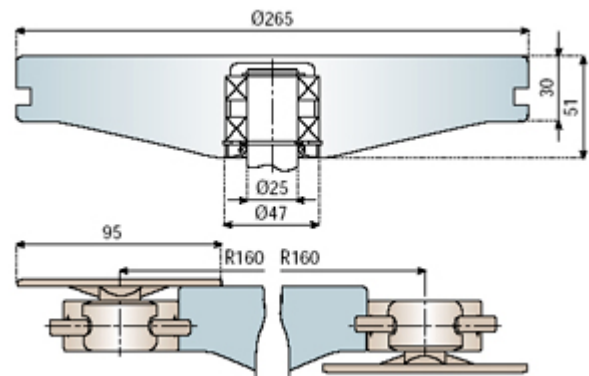


**TURNING DISK  
for chains series HMGK 50 TAB H1  
CLOSED VERSION**

**Material:** polyamide  
**Colour:** black

**CARRY AND RETURN**

**CODE 12793**



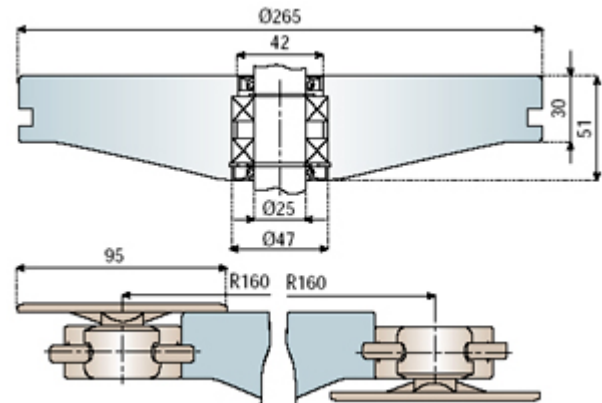
**TURNING DISK**  
for chains series HMGK 50 TAB H1  
**OPEN VERSION**

**Material:** polyamide

**Colour:** black

**CARRY AND RETURN**

**CODE 12794**



*All components are supplied separate, except the shaft bearings which are pre-assembled.*

# TURNING DISK for multiflex chains series

1701 TAB - 1701 TAB OP - 7000 TAB - 7001 TAB - 7005 TAB



Tolerances Dimensions



Chemical Resistance



Engineering Information

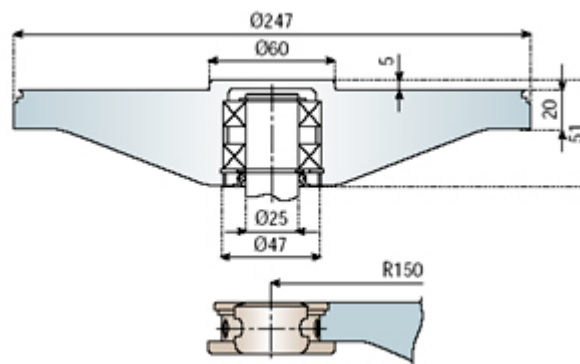


## TURNING DISK CLOSED VERSION

**Material:** polyamide

**Colour:** black

**CODE**      **12809**      **CARRY**

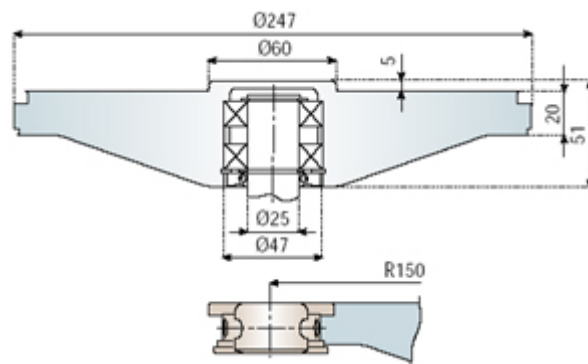


## TURNING DISK CLOSED VERSION

**Material:** polyamide

**Colour:** black

**CODE**      **12810**      **RETURN**

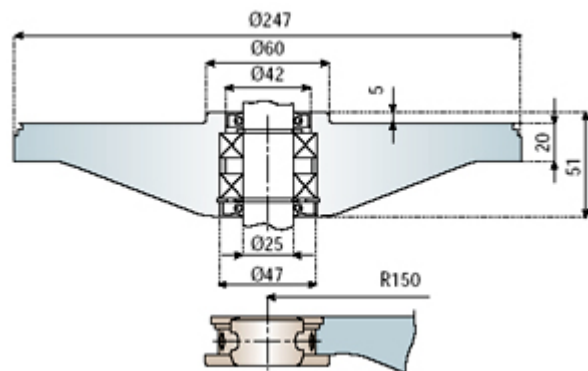


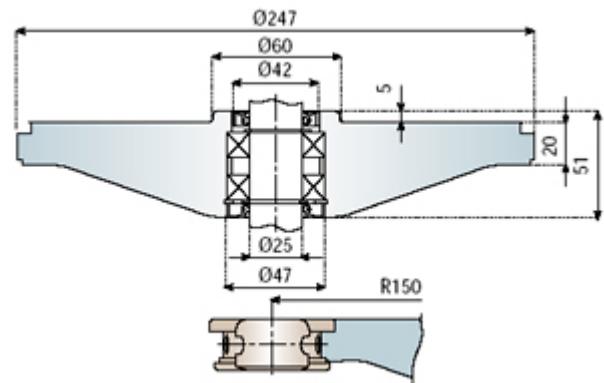
## TURNING DISK OPEN VERSION

**Material:** polyamide

**Colour:** black

**CODE**      **12811**      **CARRY**



**TURNING DISK OPEN VERSION****Material:** polyamide**Colour:** black**CODE      12812      RETURN**

*All components are supplied separate, except the shaft bearings which are pre-assembled.*

# TURNING DISK for multiflex chains series 1700 - HMGK 50 FN - 7000 - 7001 - 7005



Tolerances Dimensions



Chemical Resistance



Engineering Information

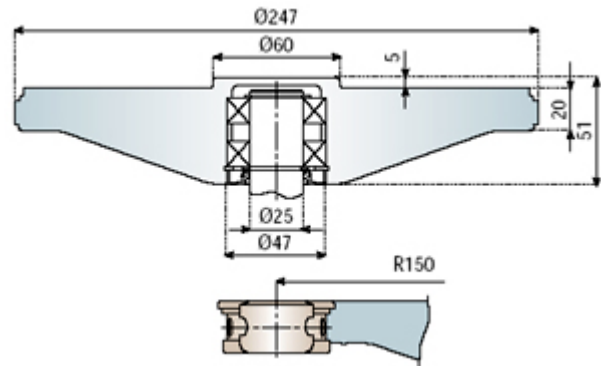


## TURNING DISK CLOSED VERSION

**Material:** polyamide

**Colour:** black

**CODE**      **12805**      **CARRY**

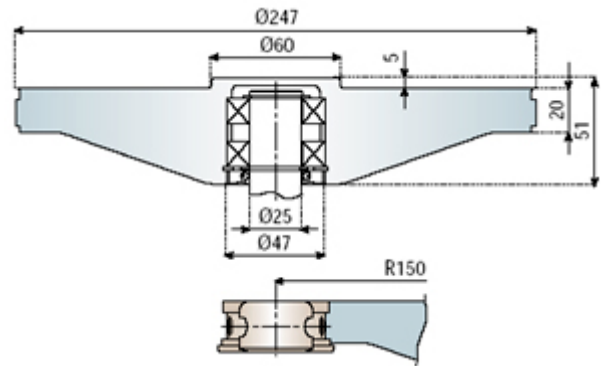


## TURNING DISK CLOSED VERSION

**Material:** polyamide

**Colour:** black

**CODE**      **12806**      **RETURN**

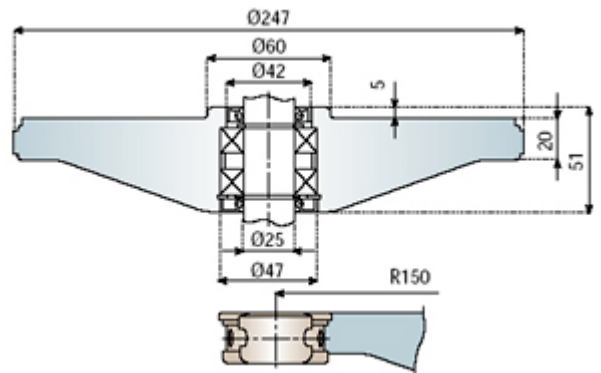


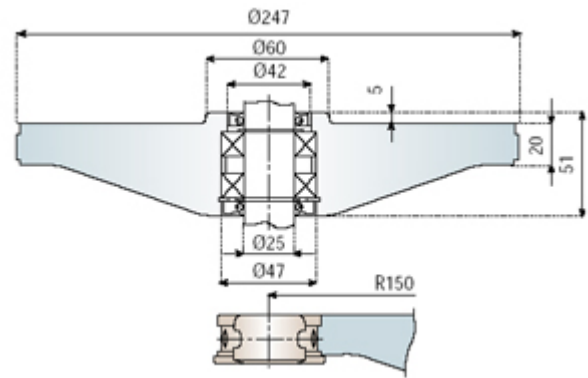
## TURNING DISK OPEN VERSION

**Material:** polyamide

**Colour:** black

**CODE**      **12807**      **CARRY**



**TURNING DISK OPEN VERSION****Material:** polyamide**Colour:** black**CODE      12808      RETURN**

*All components are supplied separate, except the shaft bearings which are pre-assembled.*



# TURNING DISK for sideflexing chains

## 881 R TAB - 878 TAB



Tolerances Dimensions



Chemical Resistance



Engineering Information

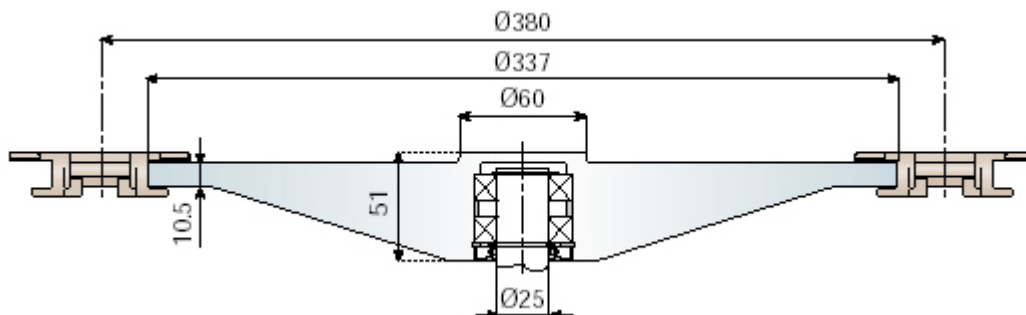
### TURNING DISK CLOSED VERSION CARRY and RETURN

**Material:** polyamide

**Colour:** black

**CODE**

**12813**



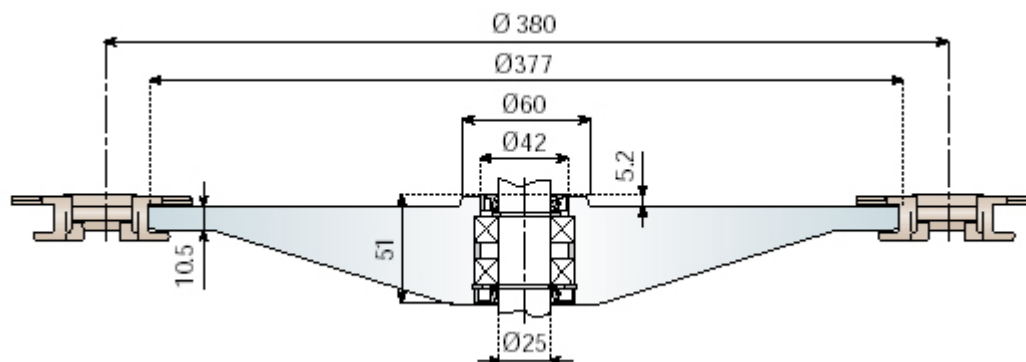
### TURNING DISK OPEN VERSION CARRY and RETURN

**Material:** polyamide

**Colour:** black

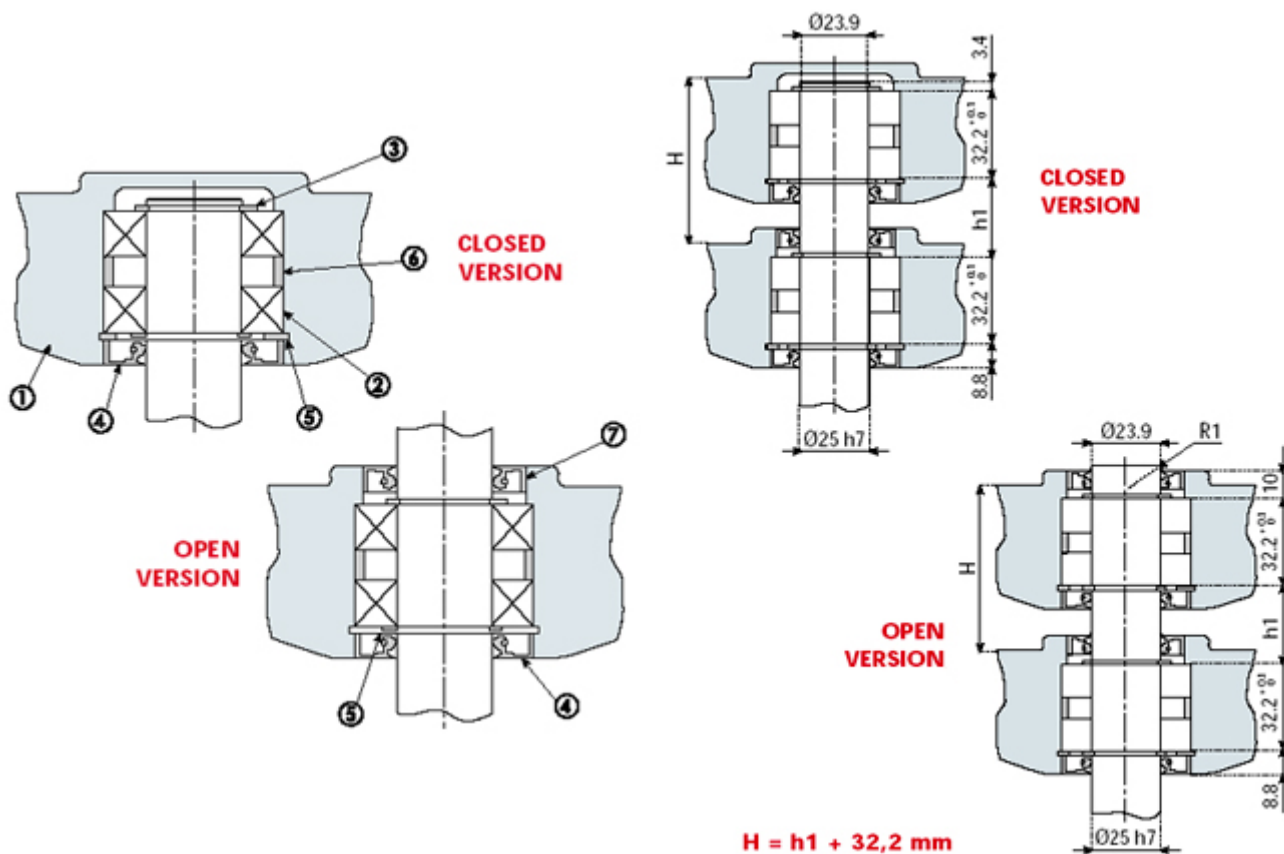
**CODE**

**12814**



**COMPONENTS**

**SHAFT DIMENSIONS**



- 1 - Turning disk.
- 2 - Single race radial ball bearing with two sliding seals, type 6005-2RS (25x47x12).
- 3 - External (retaining) ring,  $\varnothing 25$  DIN 471.
- 4 - Seal ring with dust cover, 25x47x7 DIN 3760 (NBR rubber).
- 5 - Internal (retaining) ring,  $\varnothing 47$  DIN 472.
- 6 - Bearing spacer.
- 7 - Seal ring with dust cover, 25x42x7 DIN 3760 (NBR rubber).

*All components are supplied separate, except the shaft bearings which are pre-assembled.*

# DRIVE AND IDLER DISK for sideflexing chains

## 881 R TAB - 878 TAB



Tolerances Dimensions



Chemical Resistance



Engineering Information

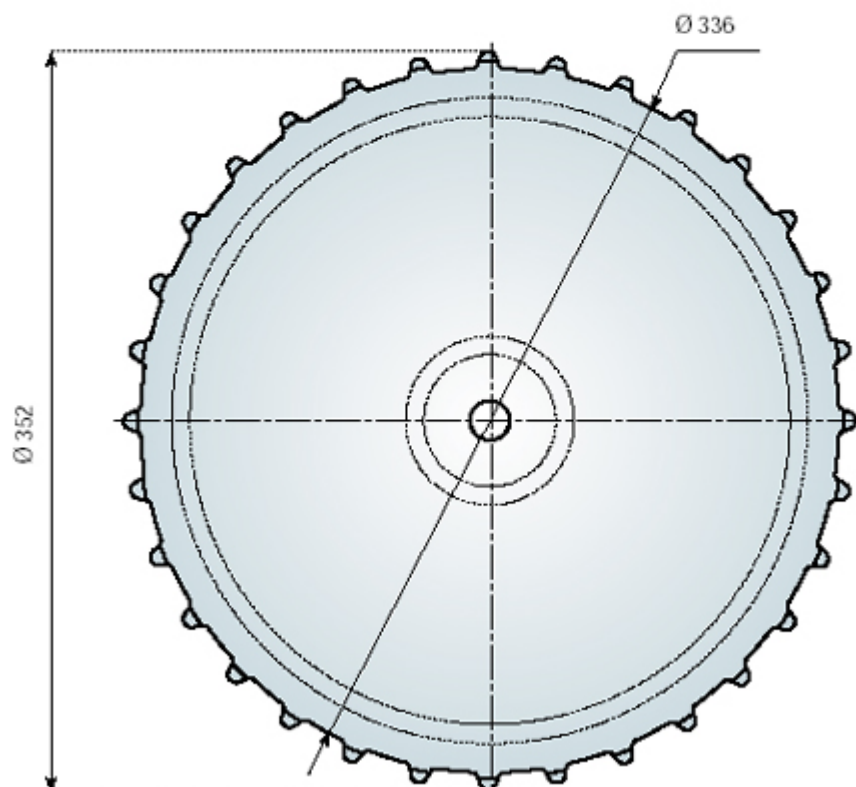
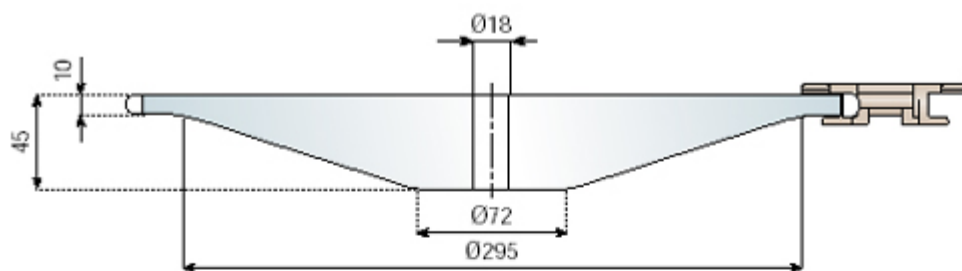
### TANGENTIAL SPROCKETS Z32 Plain bore Ø 18

**Material:** polyamide

**Colour:** black

**CODE**

**12817**



### TURNING DISK Plain bore Ø 18

**Material:** polyamide

**Colour:** black

The use of tangential sprockets and for turning disks makes possible the design of compact conveying systems with a great number of curves. It becomes easy realise rings either on the same plane or staggered, upgrading or downgrading runs.

**CODE 12802**

